



US00D365793S

United States Patent [19]

[11] Patent Number: **Des. 365,793**

Scarpitti et al.

[45] Date of Patent: ****Jan. 2, 1996**

[54] **TIRE TREAD**

[75] Inventors: **Anthony J. Scarpitti**, Uniontown;
Michael A. Kolowski, Mogadore;
Frederick W. Miller, Akron; **Donald W. Gilliam**, Uniontown; **Keith C. Trares**; **Stephanie C. Brown**, both of Akron, all of Ohio

[73] Assignee: **The Goodyear Tire & Rubber Company**, Akron, Ohio

[**] Term: **14 Years**

[21] Appl. No.: **31,658**

[22] Filed: **Dec. 2, 1994**

[52] U.S. Cl. **D12/146**

[58] Field of Search D12/141-143,
D12/146-148; 152/209 R, 209 A, 209 D

[56] **References Cited**

U.S. PATENT DOCUMENTS

- D. 315,129 3/1991 Graas et al. D12/147
- D. 341,804 11/1993 Lassan D12/147
- D. 350,713 9/1994 Emerson D12/143

OTHER PUBLICATIONS

1994 Tread Design Guide, p. 91, Hallmark Land Rover GTL Tire, second row down from top & second tire in from right side of page.

1994 Tread Design Guide, p. 113, Summit Sport Trac G/T Tire, third row down from top & second tire in from right side of page.

Primary Examiner—James M. Gandy
Attorney, Agent, or Firm—T. P. Lewandowski

[57] **CLAIM**

The ornamental design for a tire tread, as shown and described.

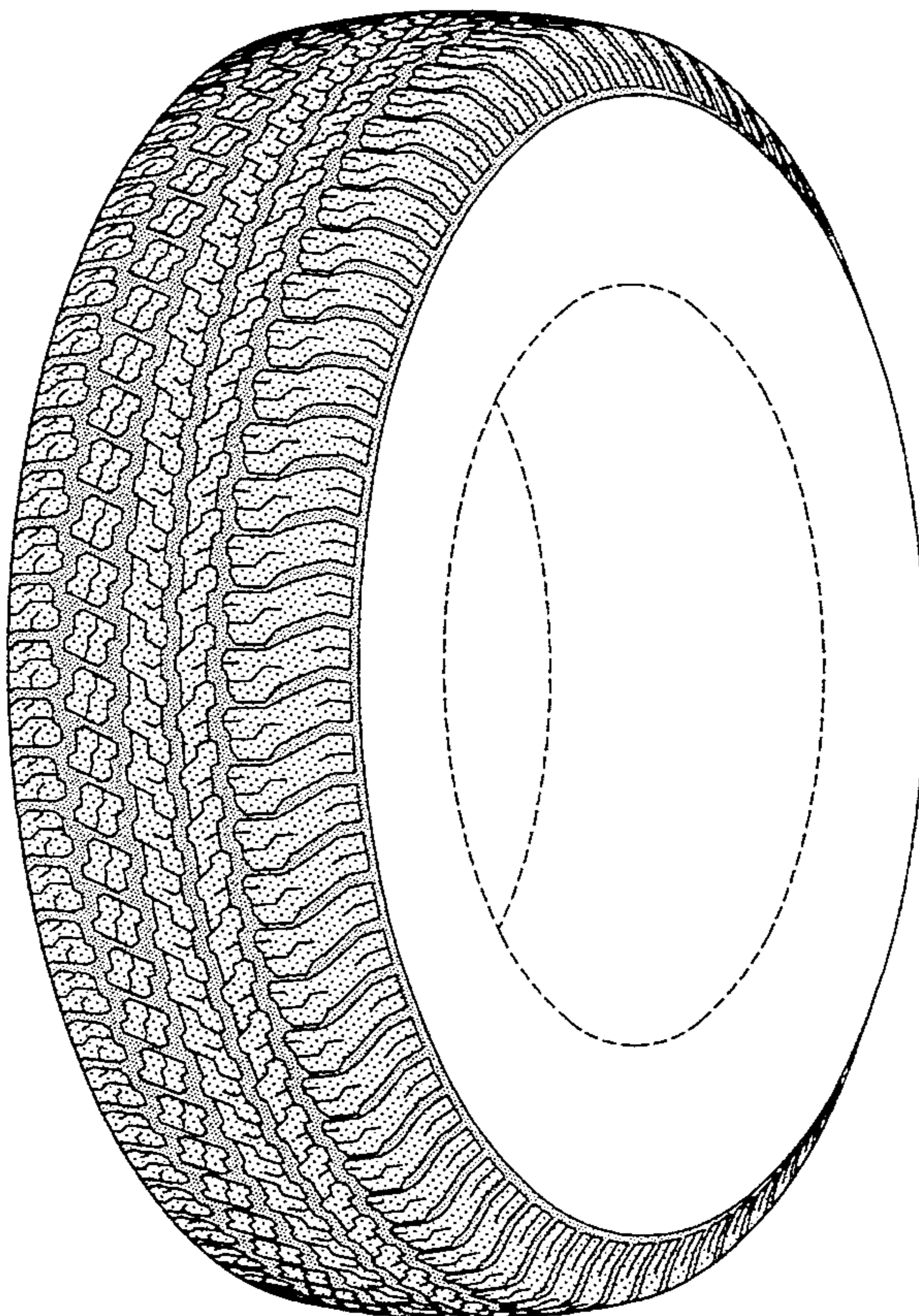
DESCRIPTION

FIG. 1 is a front elevational view of a tire tread;
FIG. 2 is a perspective view thereof;
FIG. 3 is another perspective view thereof;
FIG. 4 is a side elevational view thereof;
FIG. 5 is another side elevational view thereof; and,
FIG. 6 is an enlarged fragmentary front view thereof.

The tread pattern is understood to be repeated uniformly throughout the circumference of the tire tread.

In the drawings, the broken line showing of the tire sidewall and the solid line defining the peripheral boundary between the tire tread and the sidewall are for illustrative purposes only and form no part of the claimed design.

1 Claim, 6 Drawing Sheets



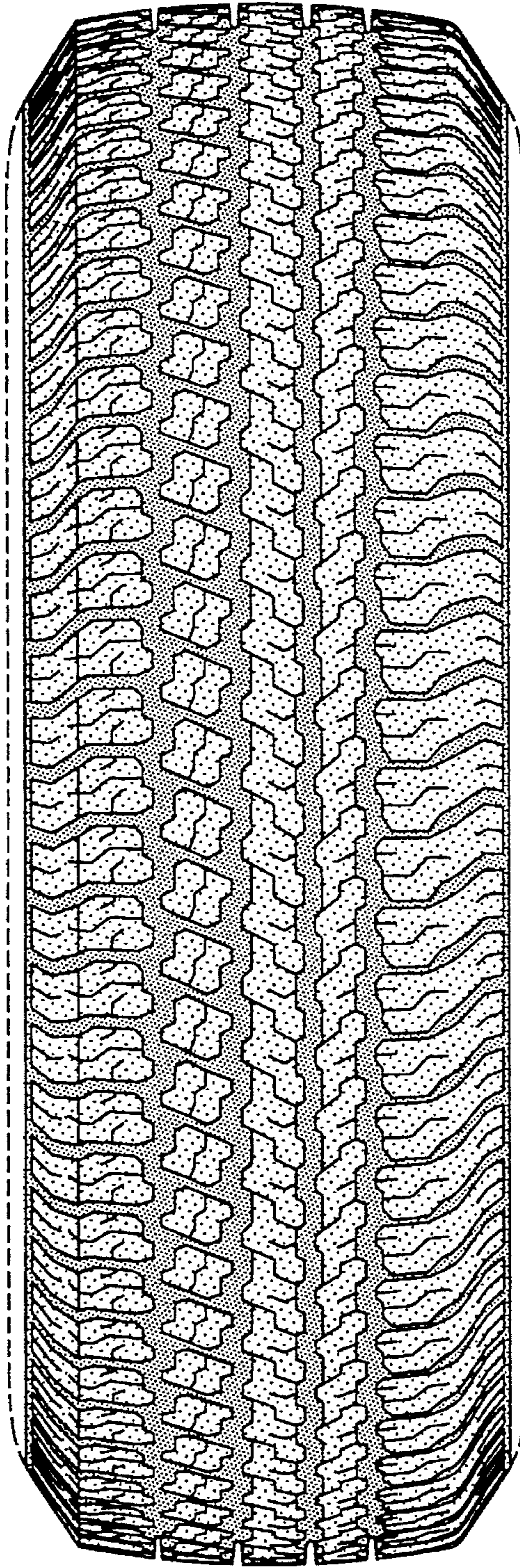


FIG-1

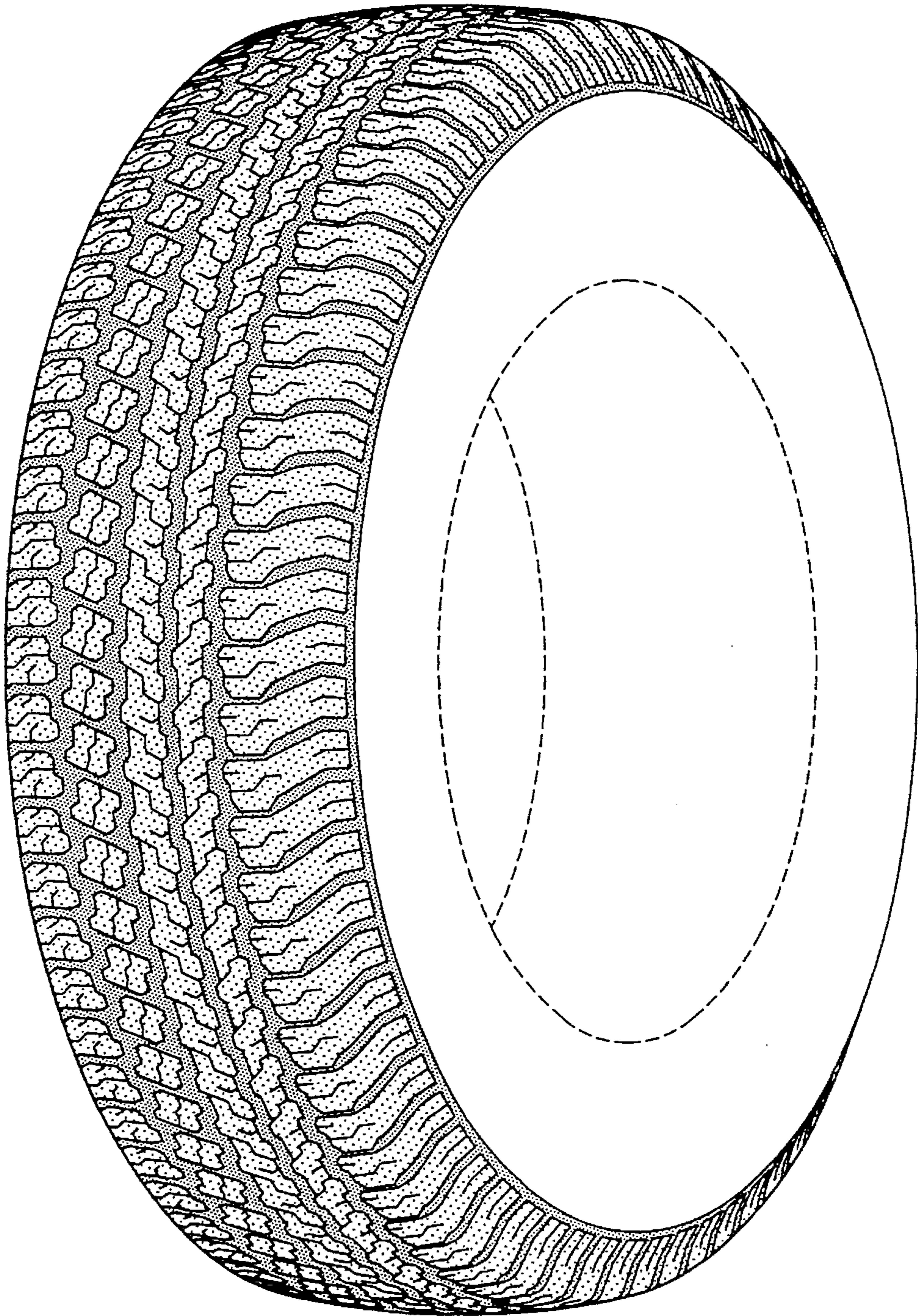


FIG-2

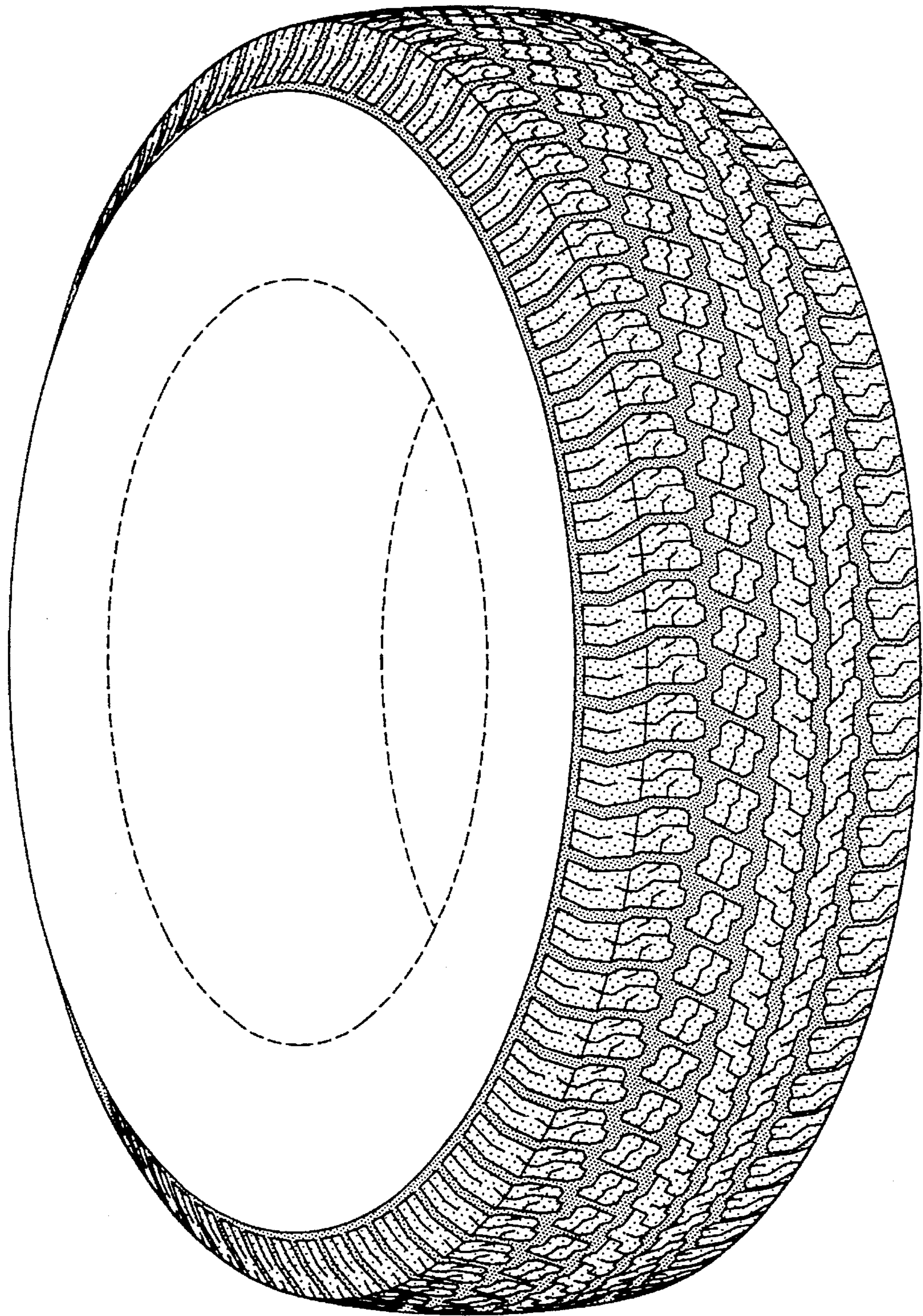


FIG-3

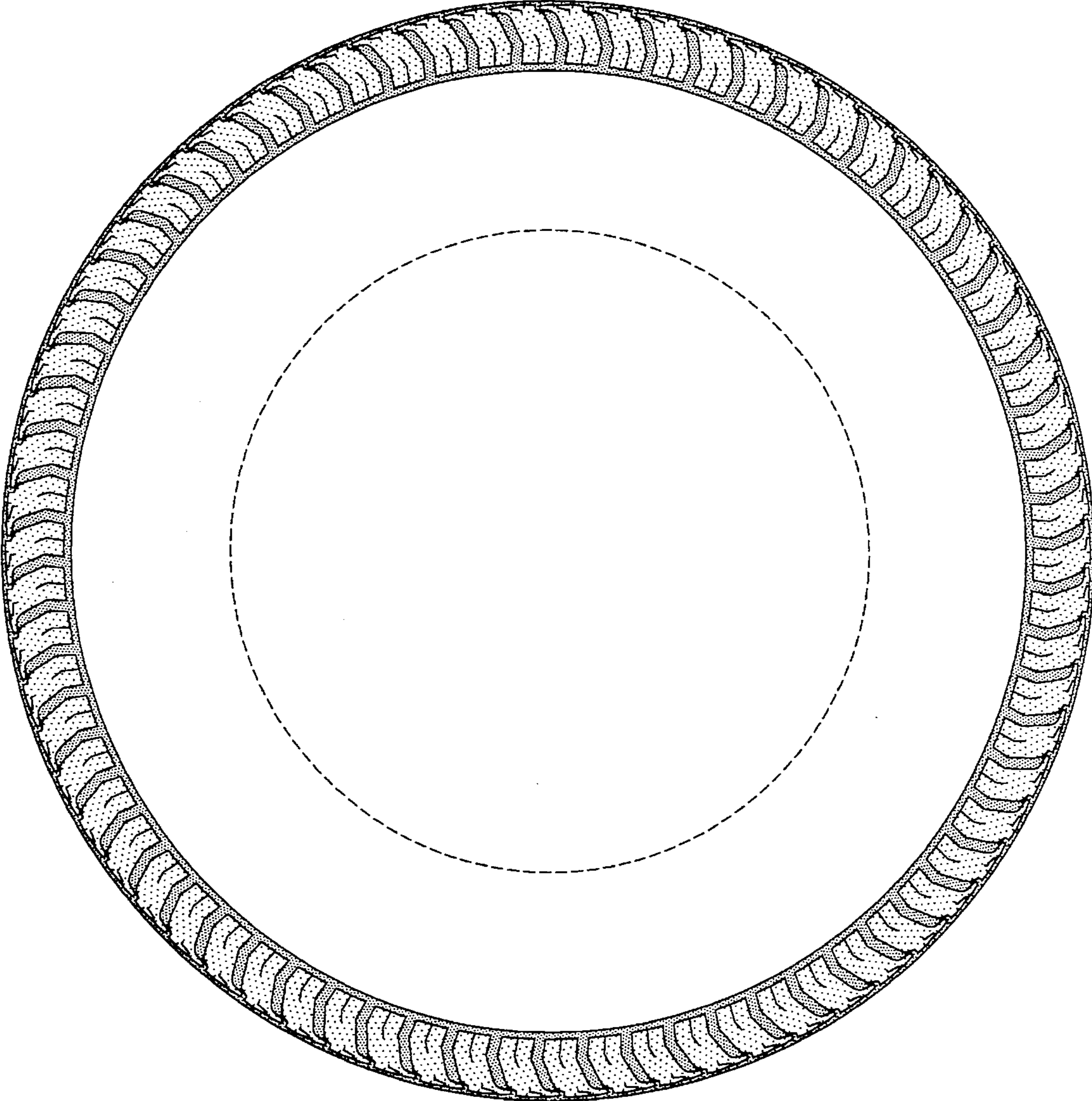


FIG-4

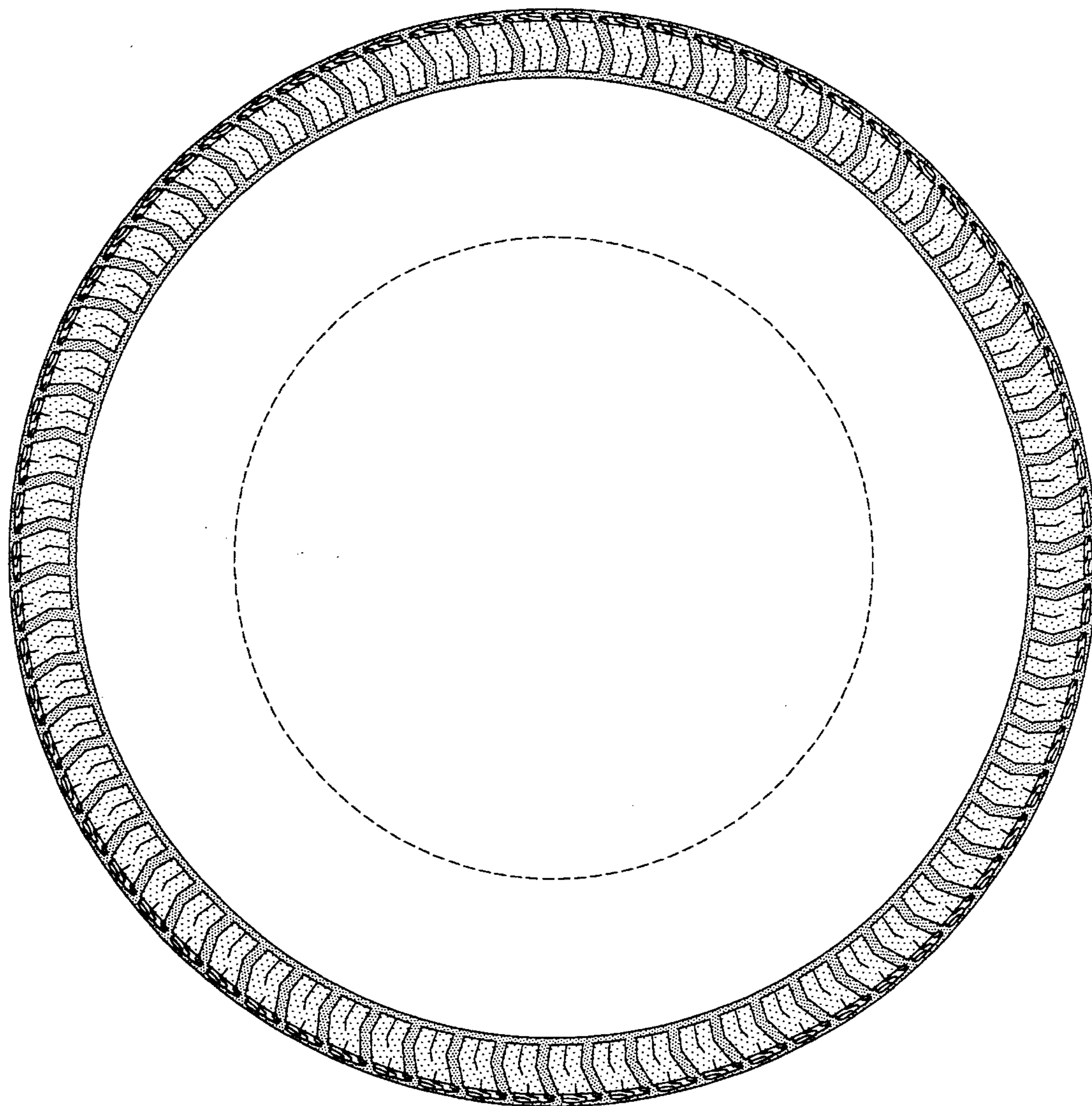


FIG-5

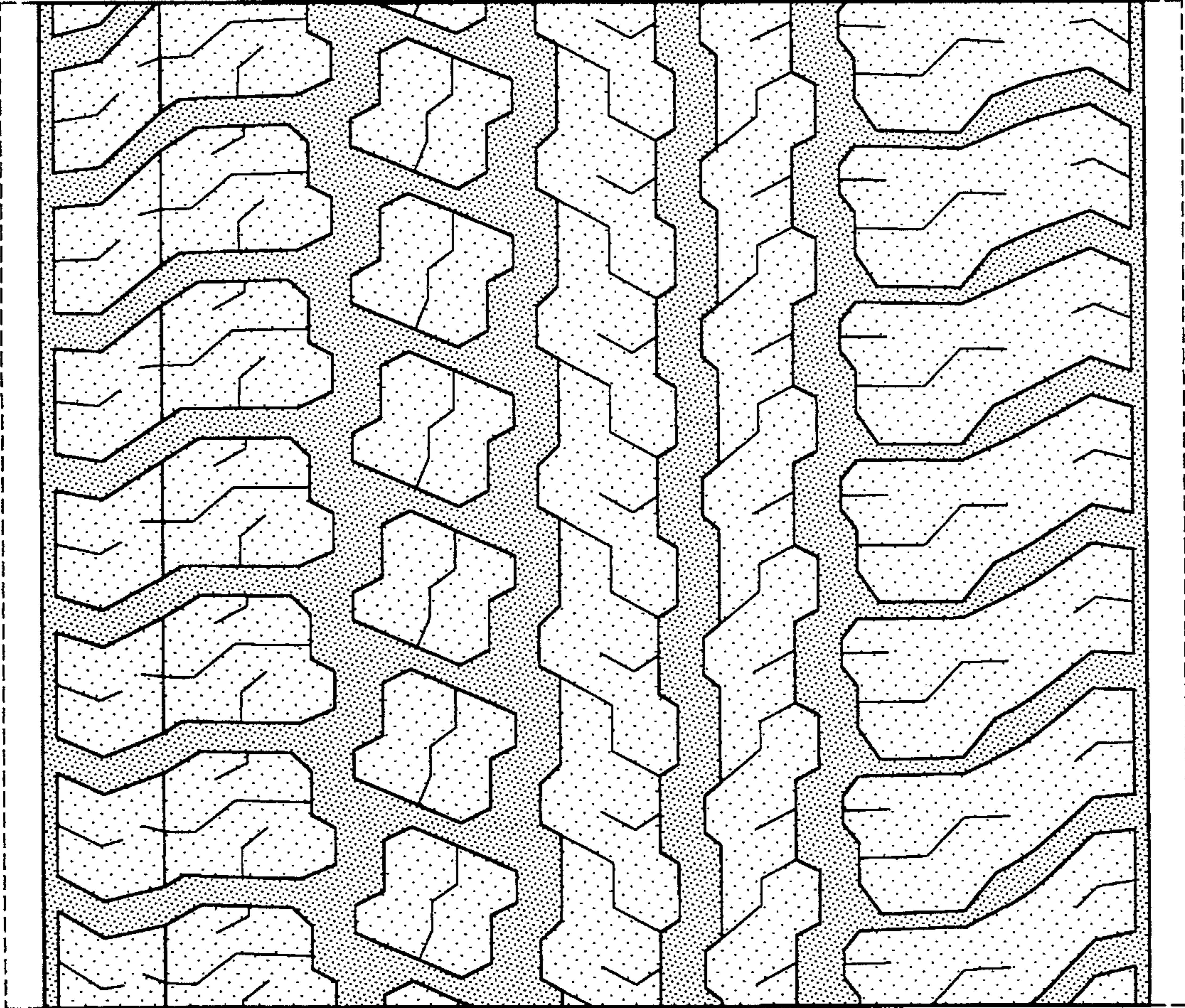


FIG-6