



US00D365785S

United States Patent [19]

[11] Patent Number: **Des. 365,785**

Sawyer

[45] Date of Patent: ****Jan. 2, 1996**

[54] WALKER

OTHER PUBLICATIONS

[76] Inventor: **James O. Sawyer**, P.O. Box 1131,
Garden Grove, Calif. 92642

Dr. Leonard's Healthcare Cat. p. 5, "Mobilator".

[**] Term: **14 Years**

Primary Examiner—Kay H. Chin

[21] Appl. No.: **32,506**

[57] CLAIM

The ornamental design for a walker, as shown and described.

[22] Filed: **Dec. 20, 1994**

DESCRIPTION

[52] U.S. Cl. **D12/130; D34/19**

FIG. 1 is a front perspective view of walker showing my new design;

[58] Field of Search **D12/128-133;**

280/650, 42, 647, 648, 650, 47.34; 135/74, 73, 72, 65, 67; 297/5, 6

FIG. 2 is a top plan view thereof;

FIG. 3 is a bottom plan view thereof;

FIG. 4 is a front elevation view thereof;

FIG. 5 is a side elevation view thereof; and,

FIG. 6 is a rear elevation view thereof.

[56] References Cited

U.S. PATENT DOCUMENTS

5,060,967 10/1991 Hulterstrum 280/650
5,409,028 4/1995 Lee 135/67

1 Claim, 2 Drawing Sheets

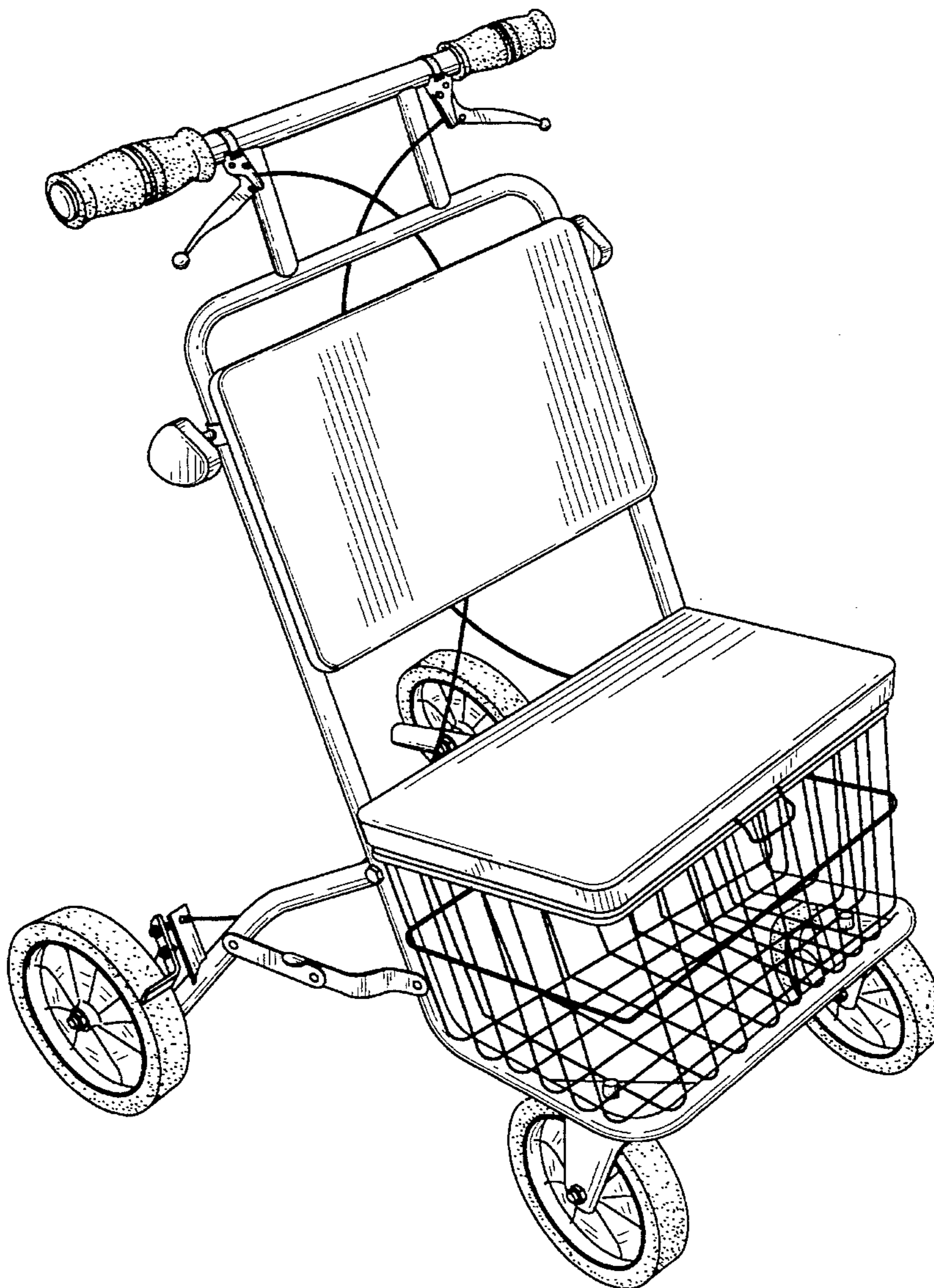


Fig. 1



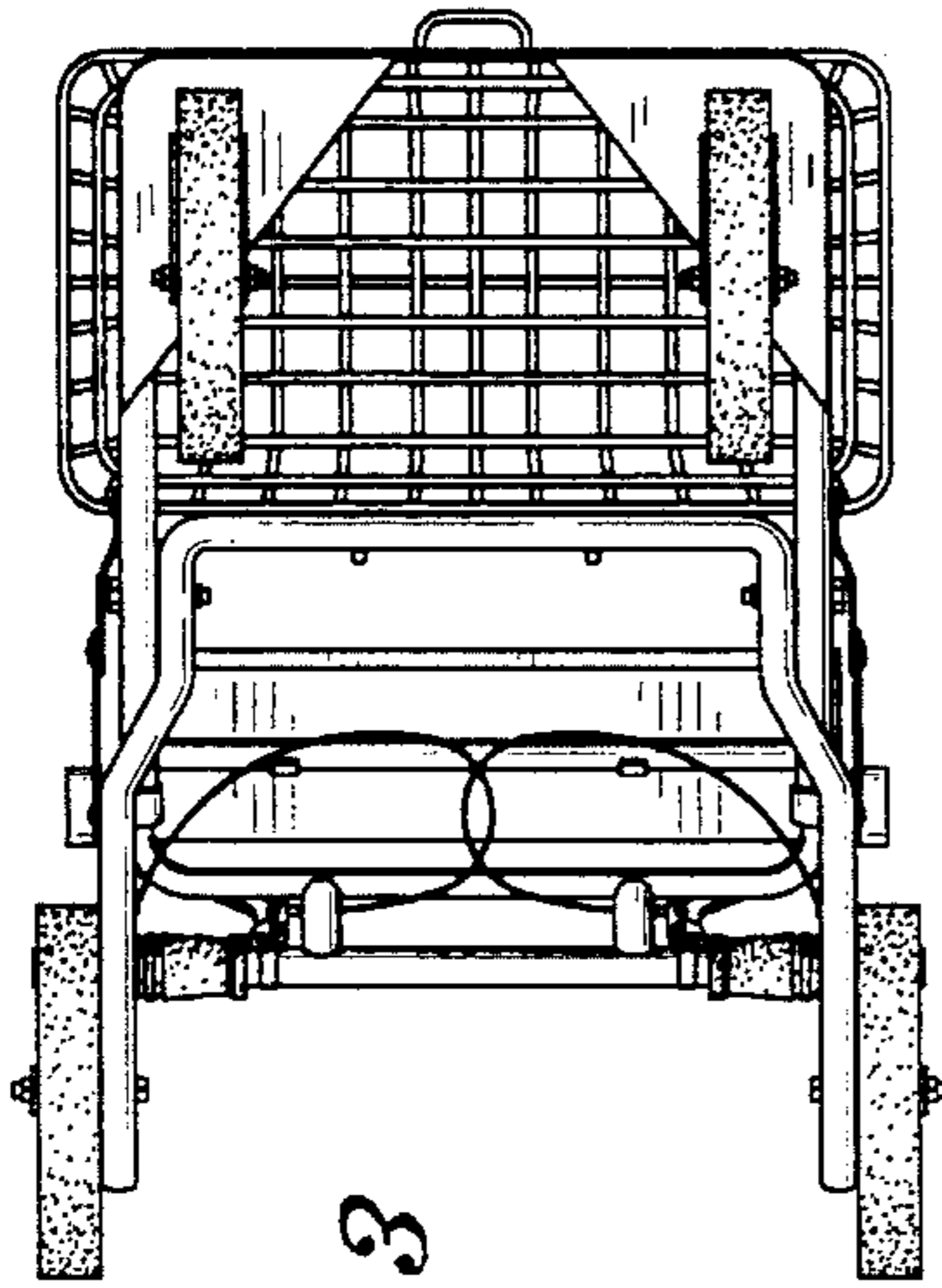


Fig. 3

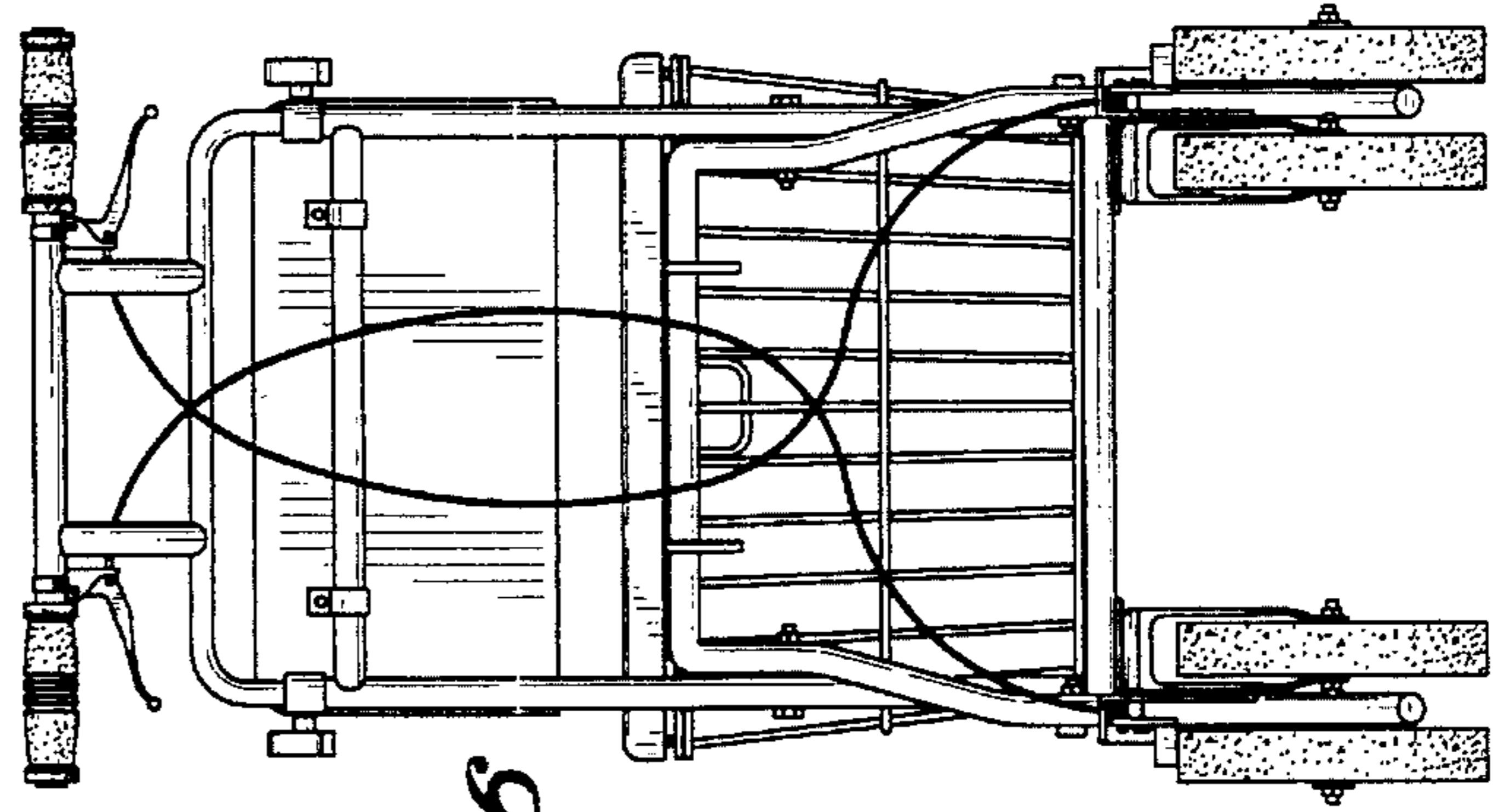


Fig. 6

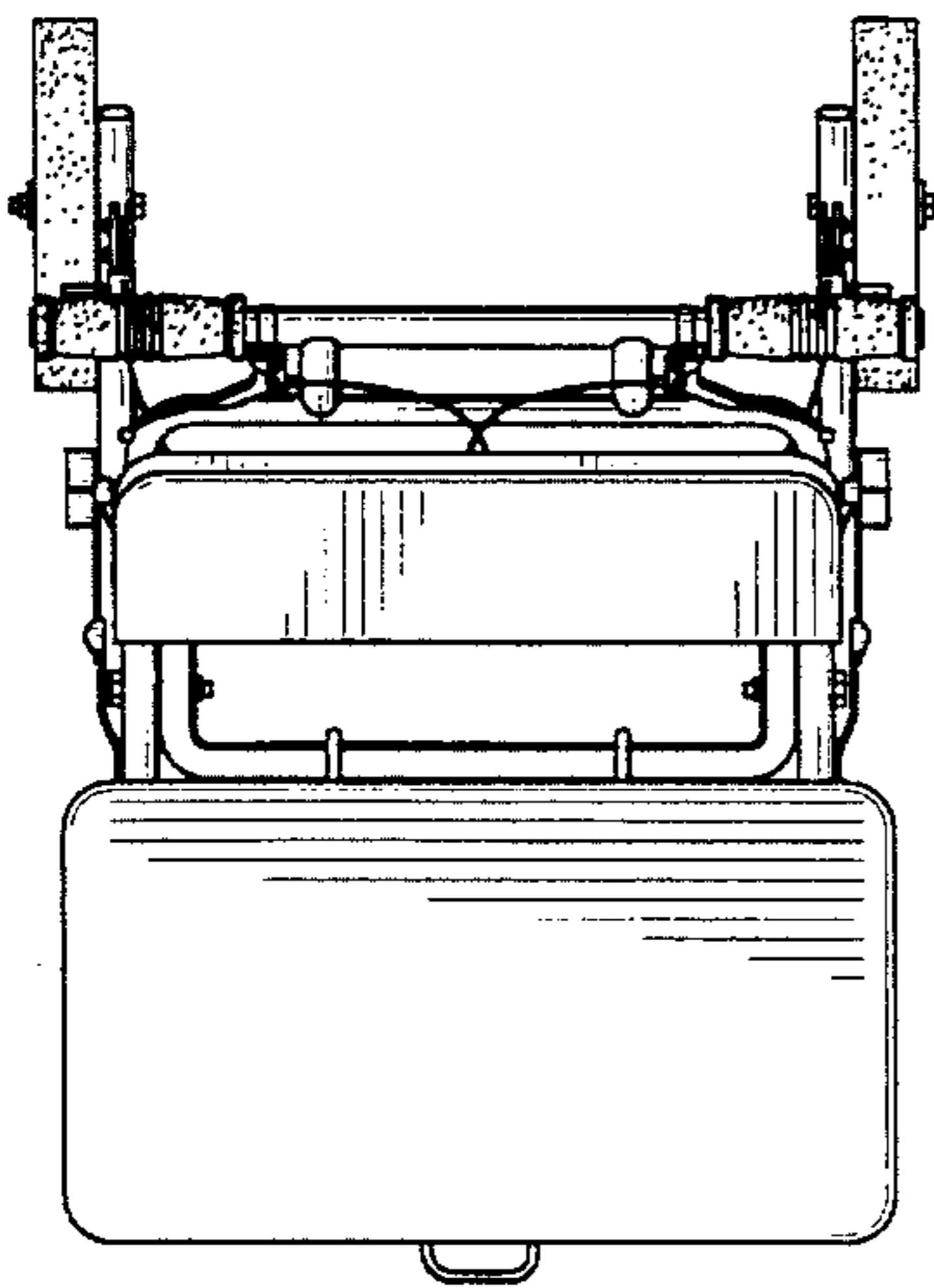


Fig. 2

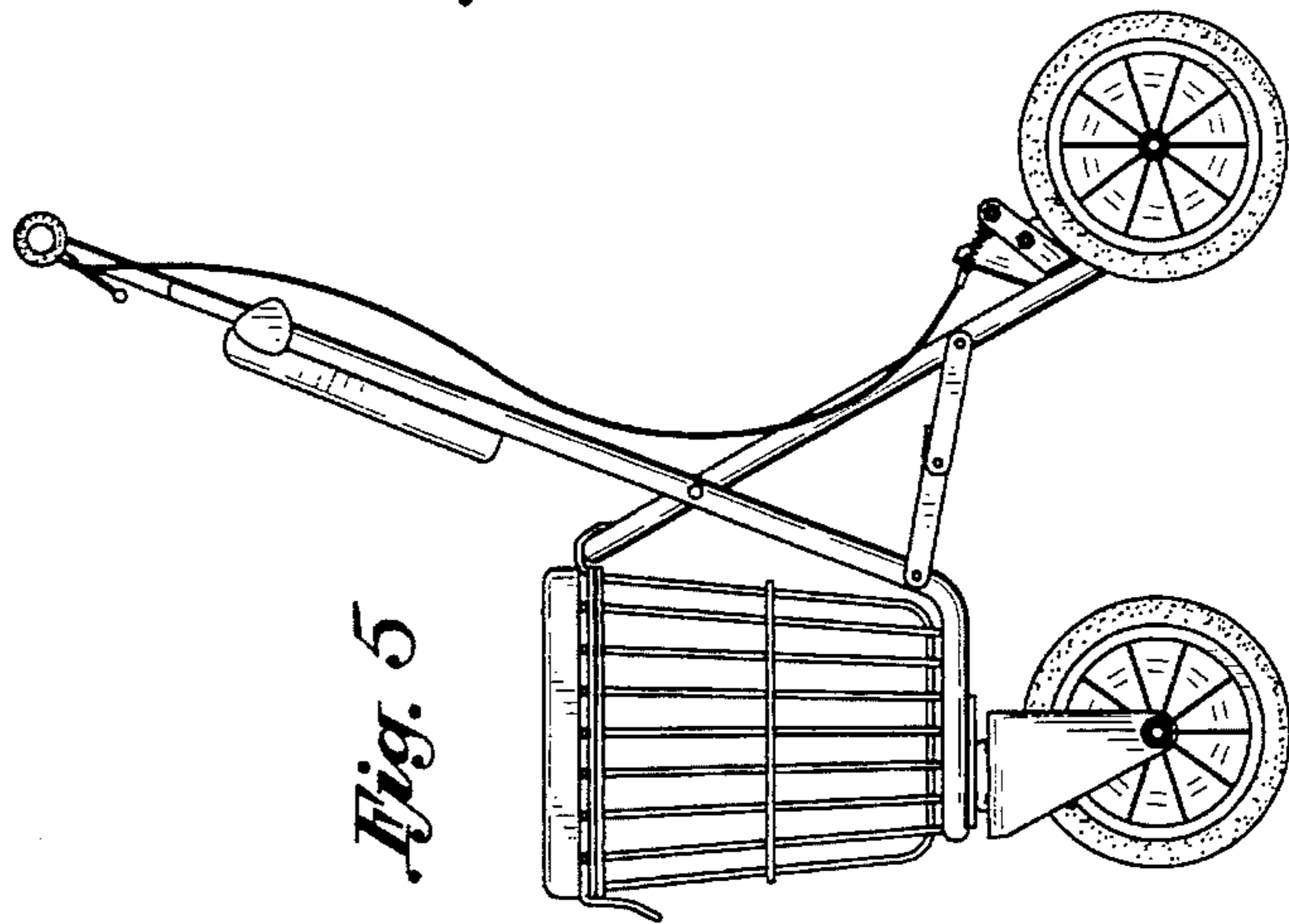


Fig. 5

Fig. 4

