



US00D365771S

United States Patent [19]

[11] Patent Number: **Des. 365,771**

Clivio

[45] Date of Patent: ****Jan. 2, 1996**

[54] **WATER COMPUTER**

D. 309,175 7/1990 Hastings et al. D23/245
D. 342,033 12/1993 Mealer D10/99

[75] Inventor: **Franco Clivio**, Erlenbach, Switzerland

OTHER PUBLICATIONS

[73] Assignee: **Gardena Kress & Kastner GmbH**,
Germany

Kwan-Ten Metals Factory Co. Ltd Kwan-Pun Co. Ltd
1992.

[**] Term: **14 Years**

Primary Examiner—Joel Sincavage
Assistant Examiner—Robin V. Taylor
Attorney, Agent, or Firm—Quarles & Brady

[21] Appl. No.: **31,103**

[22] Filed: **Nov. 17, 1994**

[57] CLAIM

[30] Foreign Application Priority Data

The ornamental design for a water computer, as shown and
described.

Jun. 28, 1994 [DE] Germany 94 05 081.3

[52] U.S. Cl. **D10/96**; D10/99; D10/40;
D23/246; D23/213

DESCRIPTION

[58] Field of Search D23/213-219,
D23/246, 245; D10/96, 99, 101, 40; 239/390-391,
394, 380-383, 456-460; 73/861, 861.03,
861.01

FIG. 1 is a side perspective view of a water computer
showing my new design;
FIG. 2 is a front elevation view thereof;
FIG. 3 is a bottom plan view thereof;
FIG. 4 is a left side elevation view thereof;
FIG. 5 is a right side elevation view thereof;
FIG. 6 is a top view thereof;
FIG. 7 is a rear elevation view thereof.

[56] References Cited

U.S. PATENT DOCUMENTS

D. 283,204 4/1986 McDonald D10/99
D. 299,516 1/1989 Wang D23/200

1 Claim, 4 Drawing Sheets

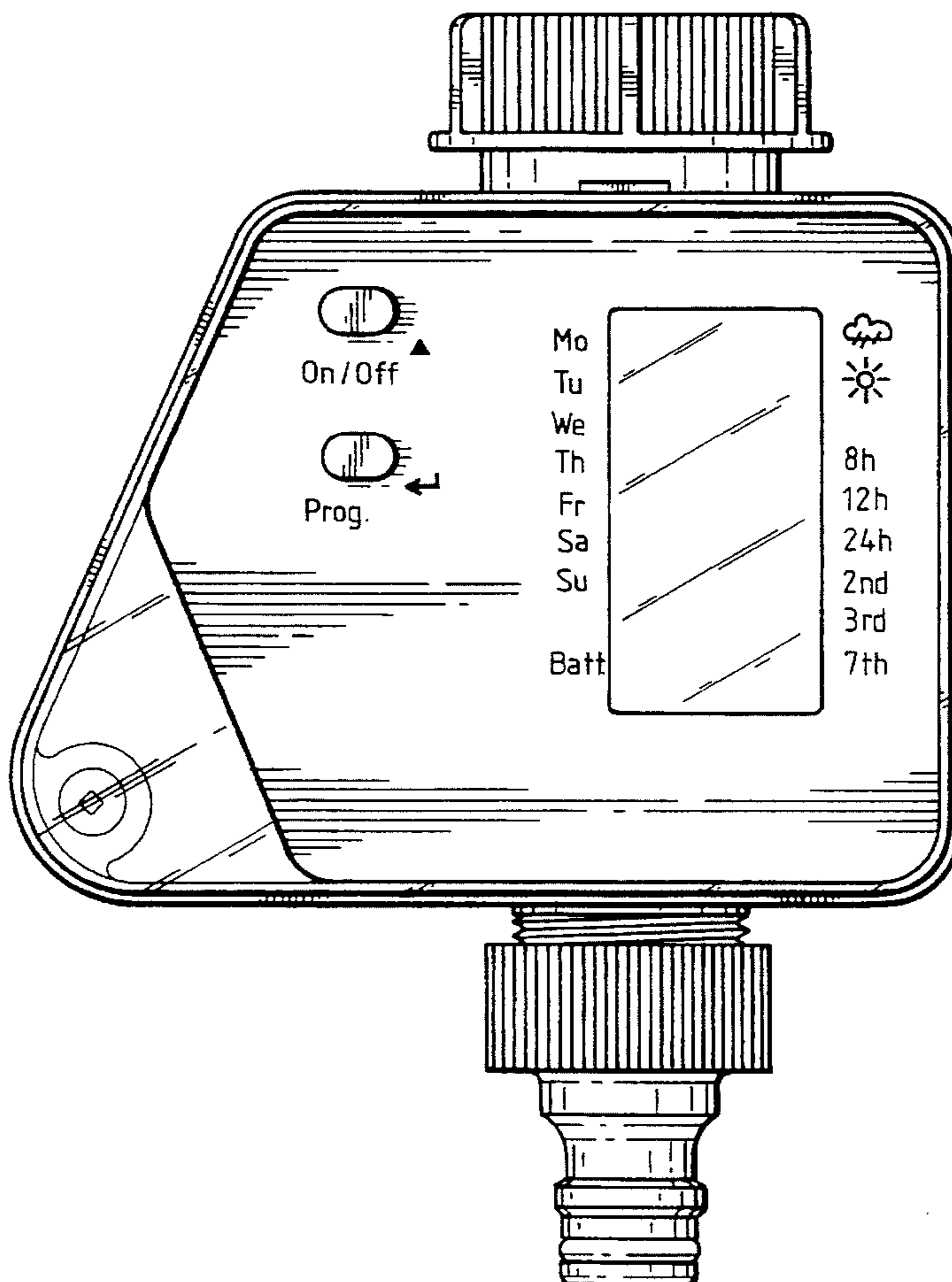


Fig. 1

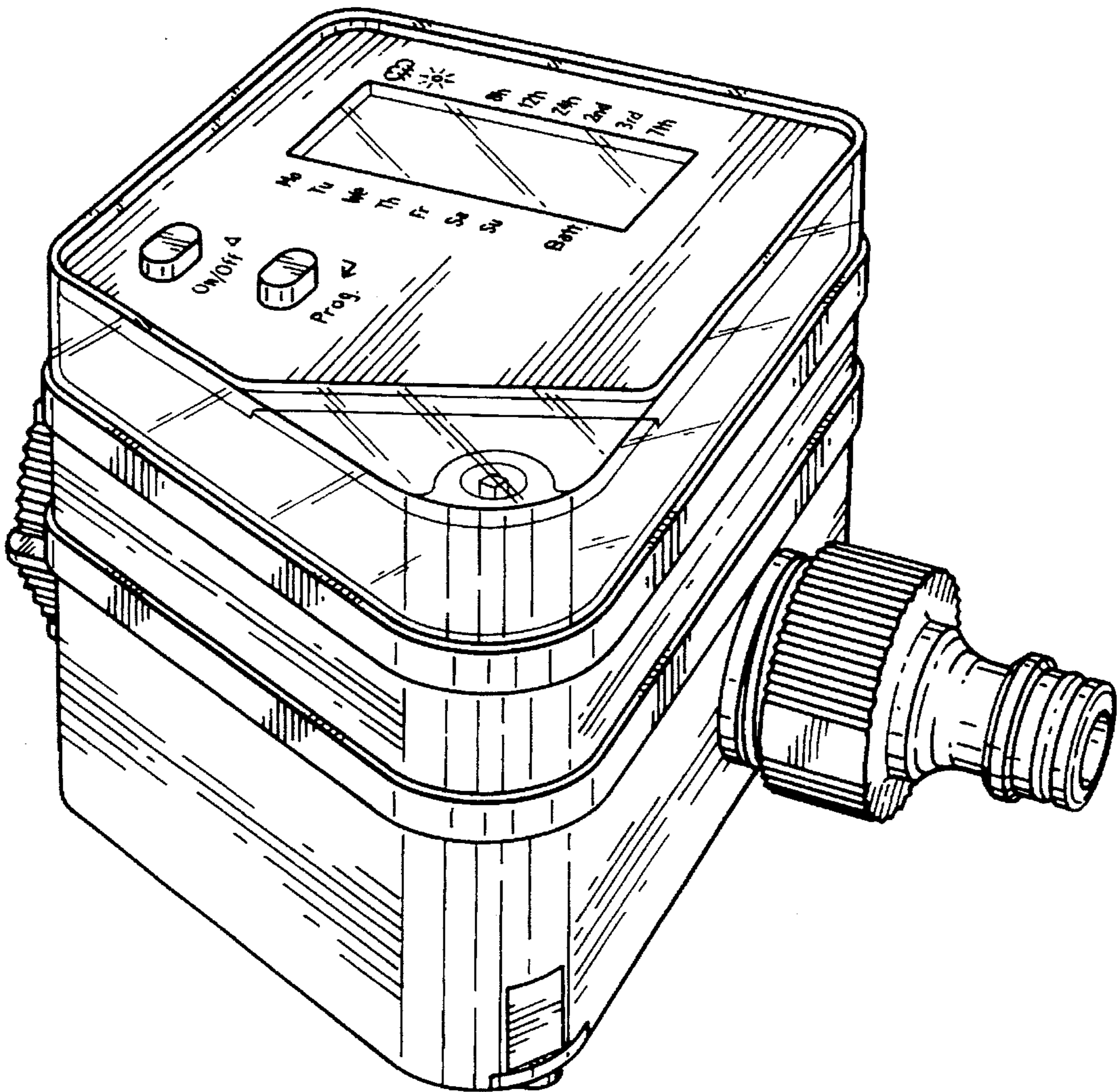


Fig. 2

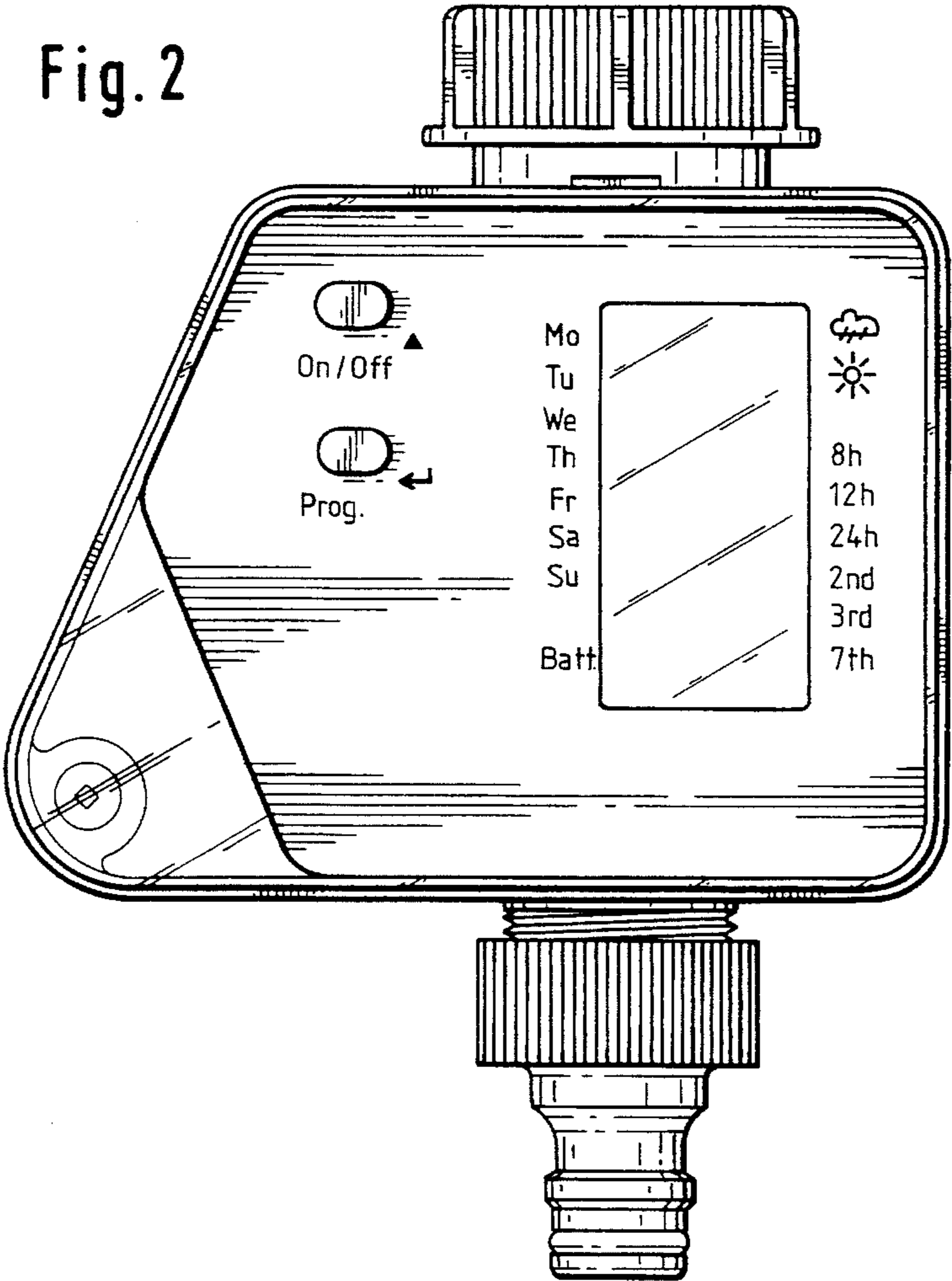


Fig. 3

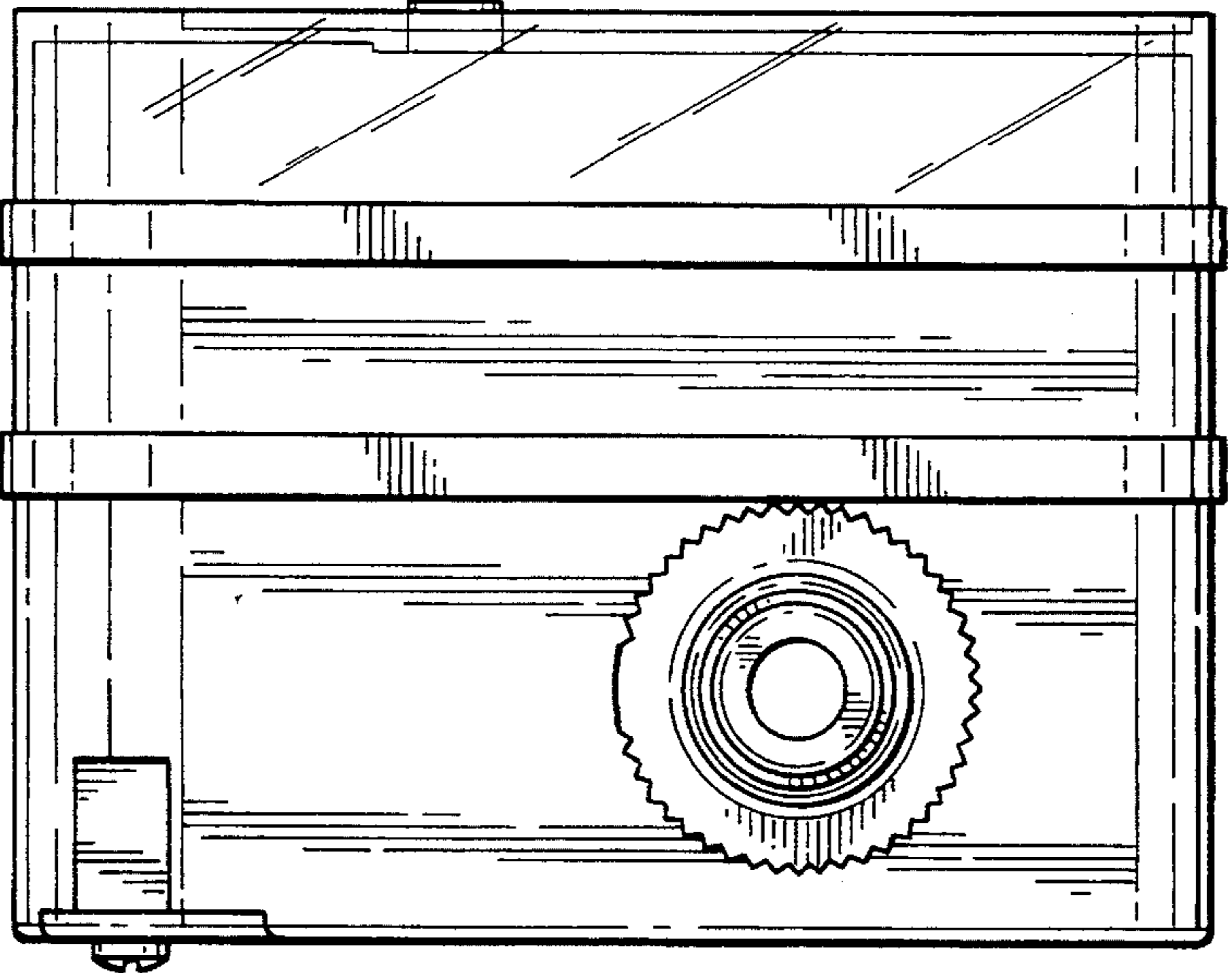


Fig. 4

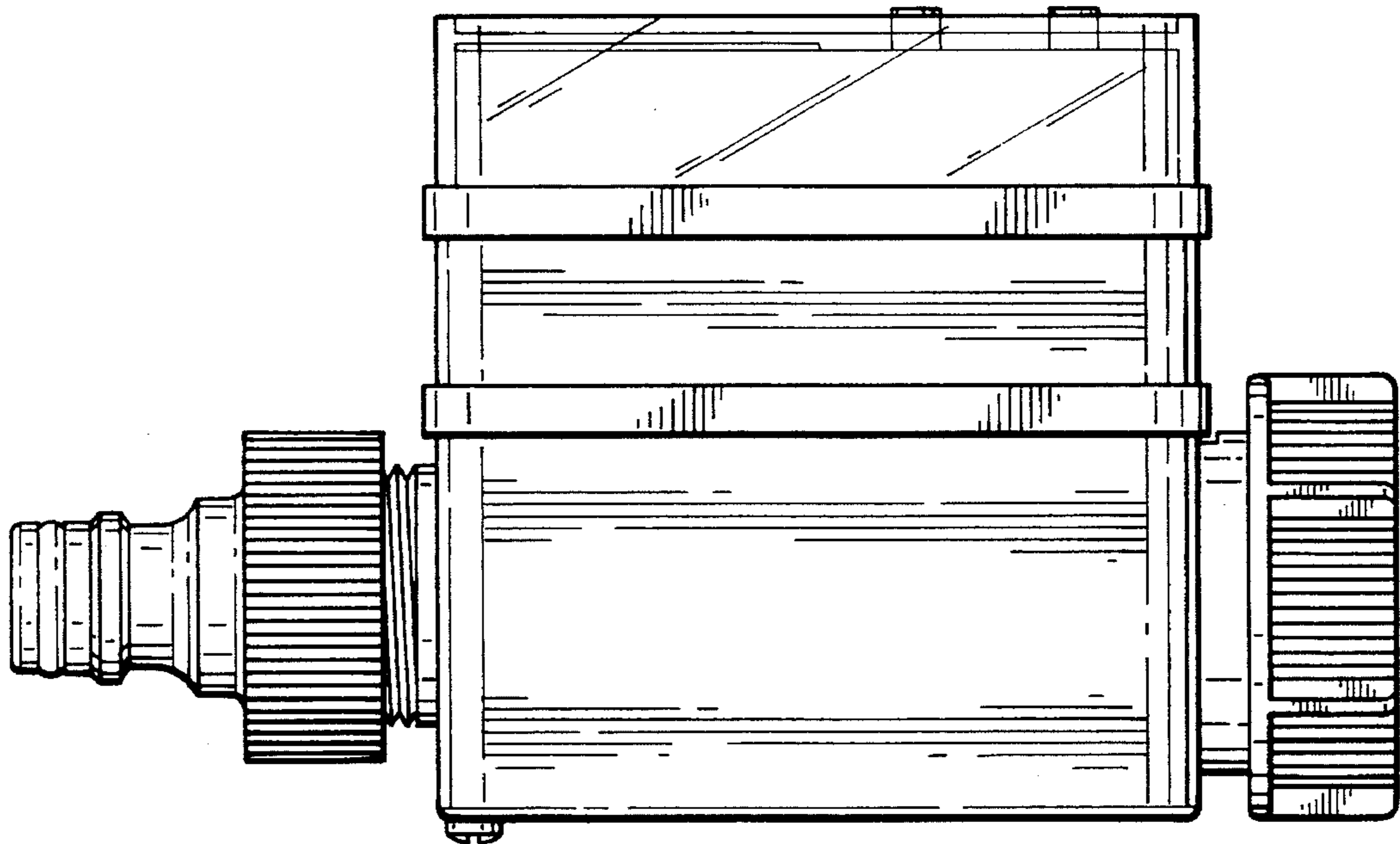
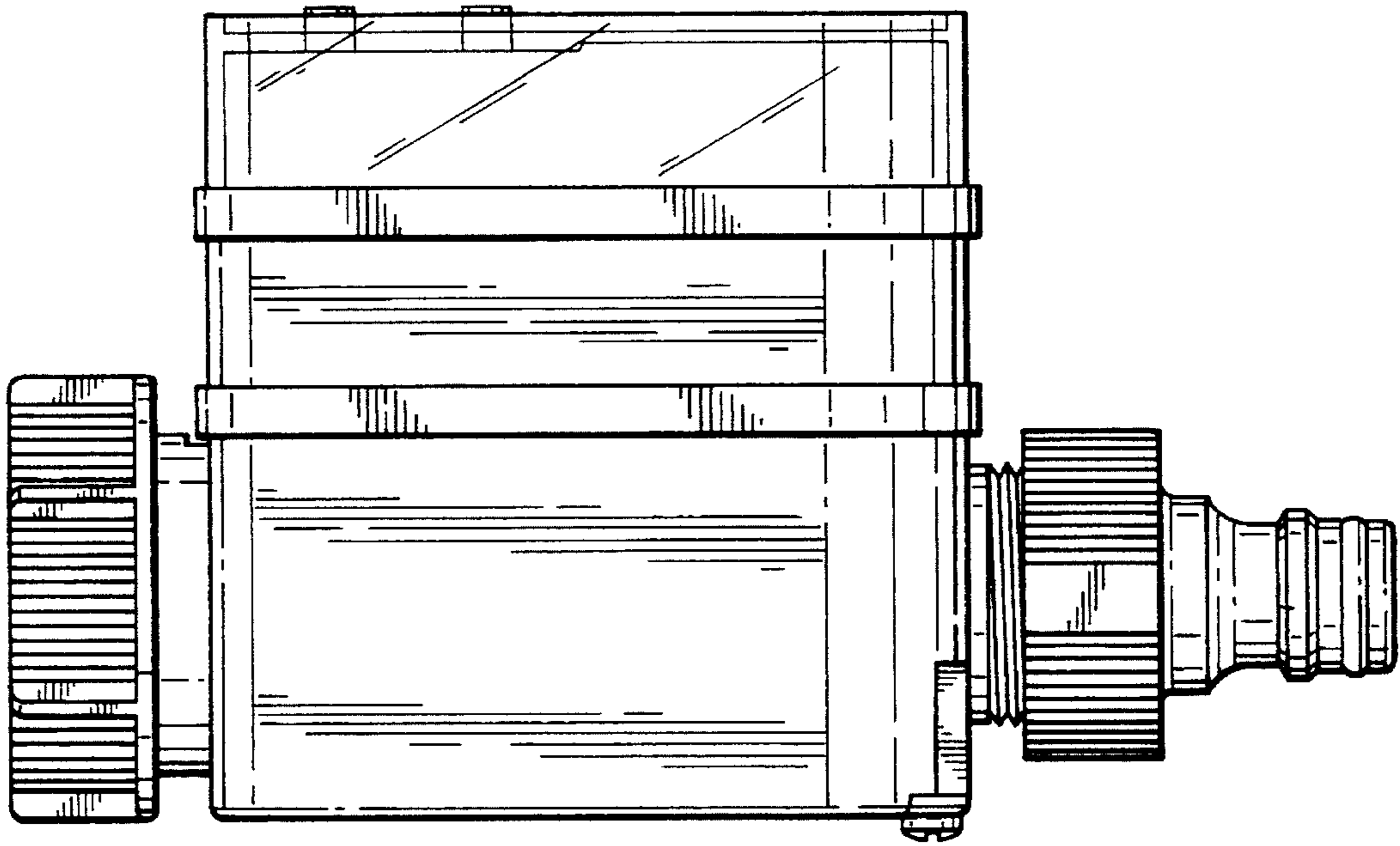


Fig. 5

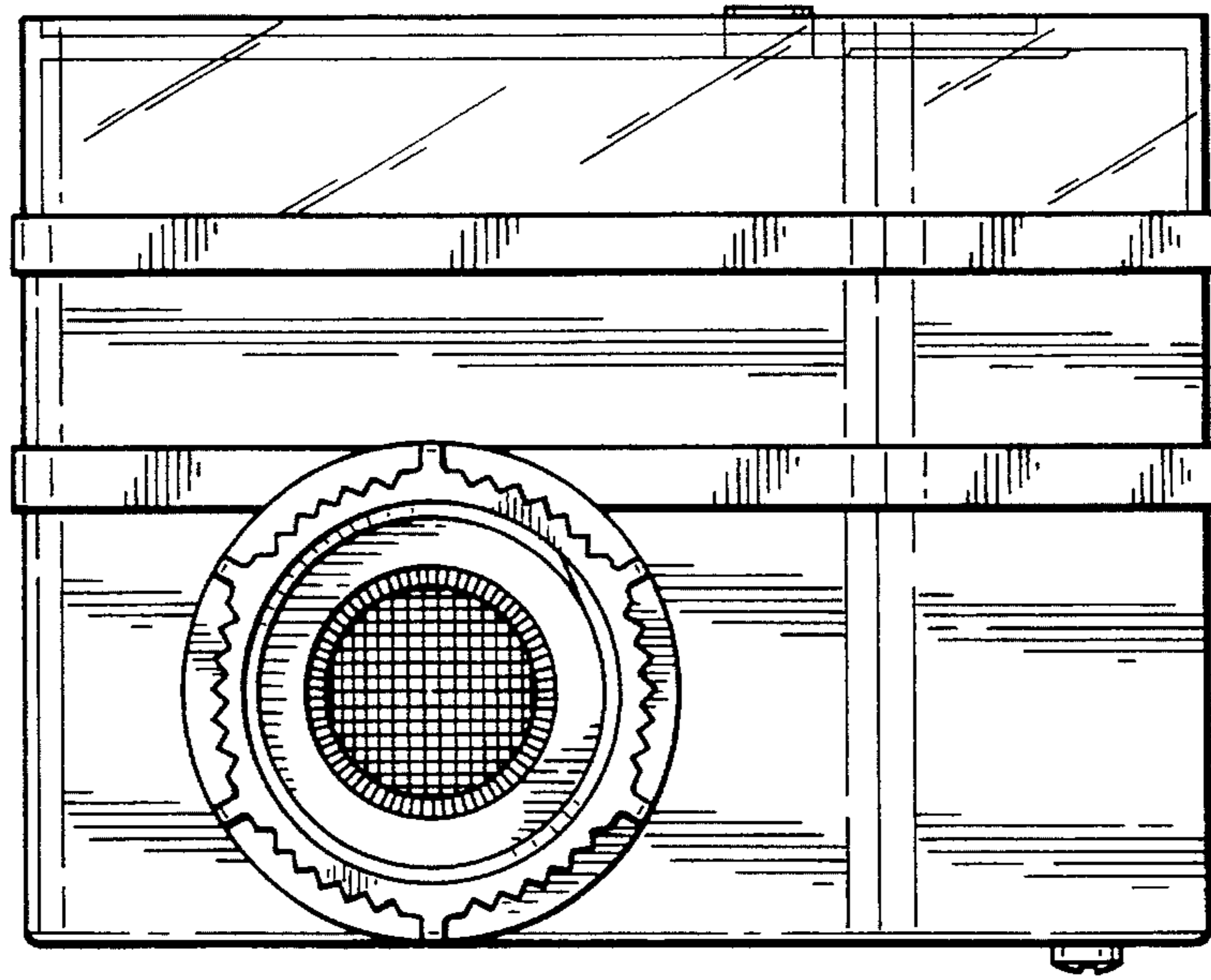


Fig. 6

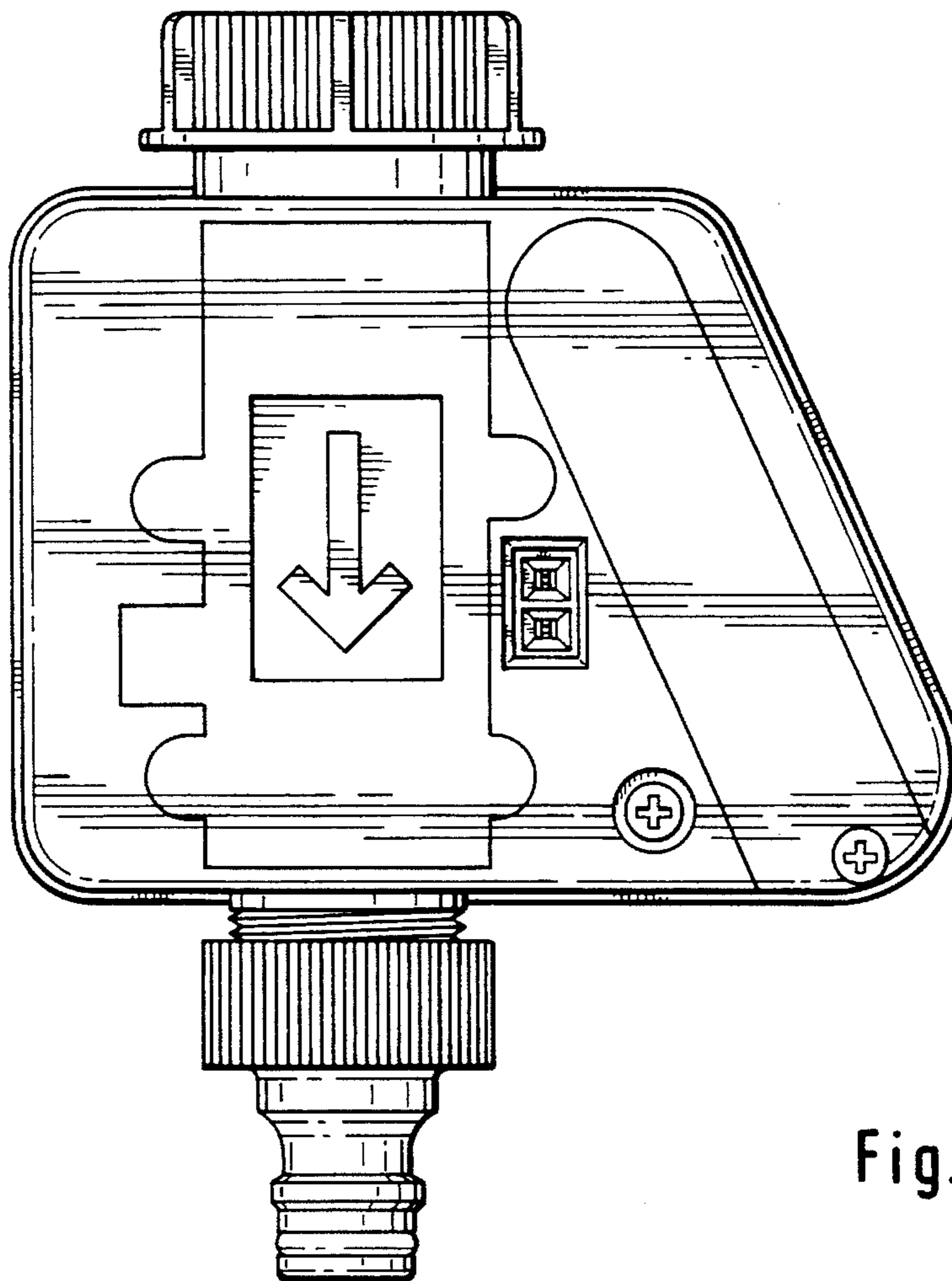


Fig. 7