



US00D365770S

United States Patent [19]

[11] **Patent Number: Des. 365,770**

Hines

[45] **Date of Patent: **Jan. 2, 1996**

[54] **ERASEABLE MEMO PLATE AND PENCIL HOLDER FOR A CONVENTIONAL RETRACTABLE MEASURING TAPE CASING**

[76] Inventor: **Charles F. Hines**, P.O. Box 53, Doswell, Va. 23047

[**] Term: **14 Years**

[21] Appl. No.: **29,594**

[22] Filed: **Oct. 11, 1994**

[52] U.S. Cl. **D10/74**

[58] Field of Search D10/72, 74; 33/760, 33/761, 768, 769

[56] **References Cited**

U.S. PATENT DOCUMENTS

D. 320,570	10/1991	Lin	D10/72
3,526,964	9/1970	Clark	33/27
3,713,603	1/1973	Shore	242/107.2
3,838,520	10/1974	Quenot	33/760
4,667,412	5/1987	Carlson	33/138
4,786,010	11/1988	Dynan	D10/72 X
5,027,526	7/1991	Crane	D10/72 X
5,077,911	2/1992	von Wedemeyer	33/770
5,079,851	1/1992	Sill	D10/72 X
5,253,421	10/1993	Landmark	33/27.03

OTHER PUBLICATIONS

Home Mechanix; Solar System; Nov. 1991; p. 28.

Primary Examiner—Antoine Duval Davis

Attorney, Agent, or Firm—Kevin A. Sembrat

[57] **CLAIM**

The ornamental design for a erasable memo plate and pencil holder for a conventional retractable measuring tape casing, as shown and described.

DESCRIPTION

FIG. 1 is a top, front and right side perspective view of an erasable memo plate and pencil holder for a conventional retractable measuring tape casing showing my new design, with each undisclosed, rear and left side constituting a mirror-image of each respective opposing side;

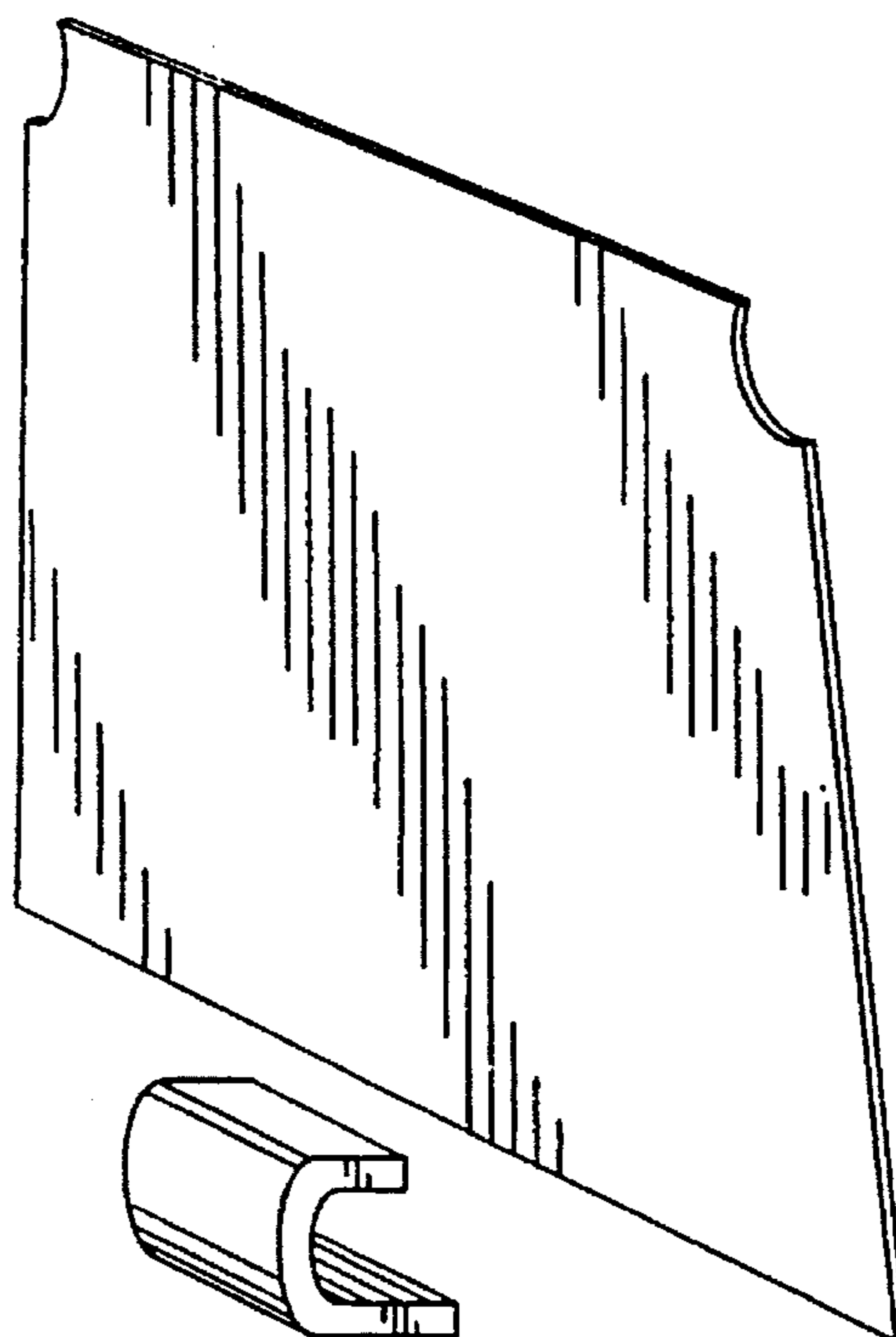
FIG. 2 is a top, front and right side perspective view thereof, shown positioned within a broken line illustration of a conventional retractable measuring tape casing;

FIG. 3 is a front elevational view thereof; and,

FIG. 4 is a right side elevational view thereof.

The broken line illustration of a conventional retractable measuring tape casing is for illustrative purposes only and forms no part of the claimed design. The undisclosed bottom, view of the erasable memo plate and pencil holder is plain and unornamented.

1 Claim, 1 Drawing Sheet



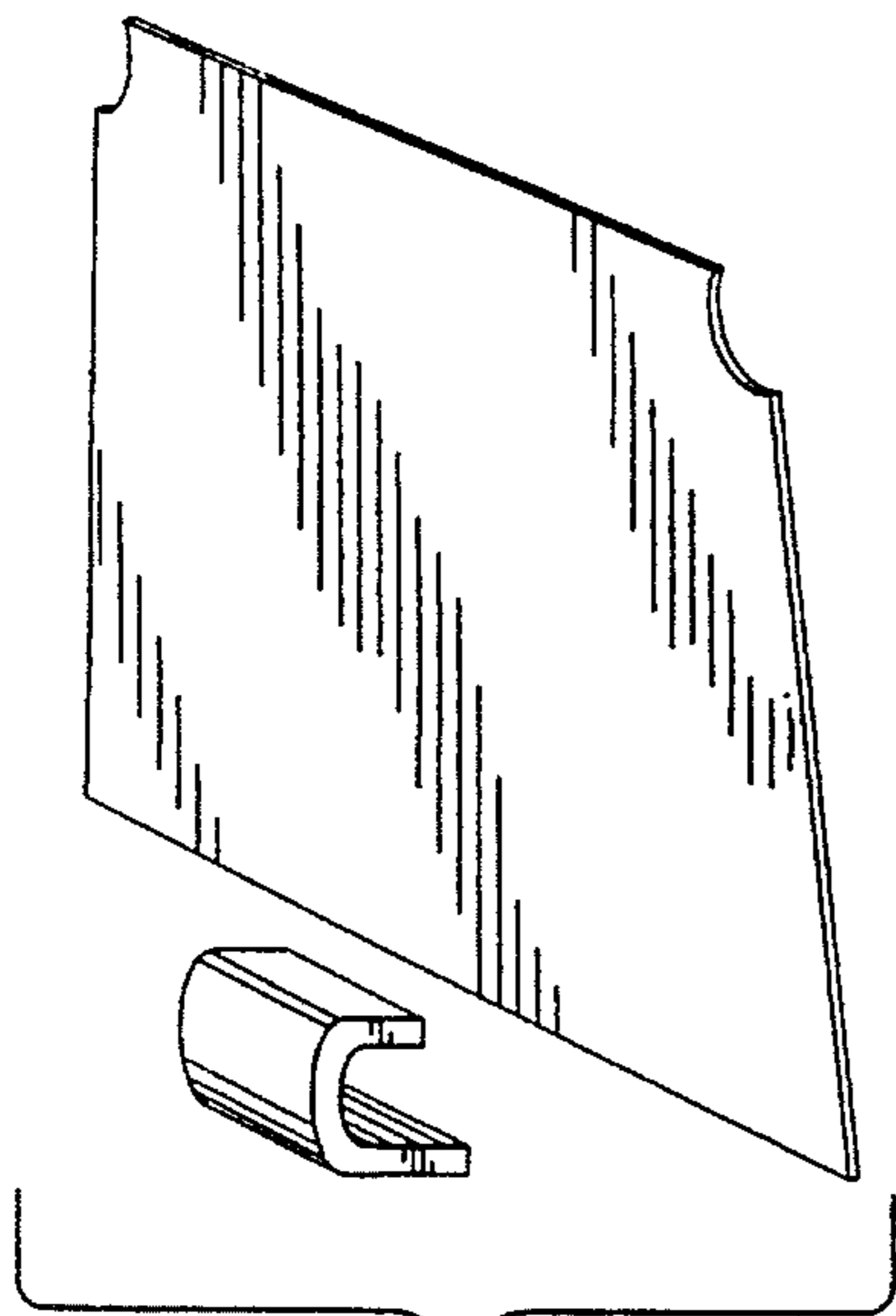


Fig. 1

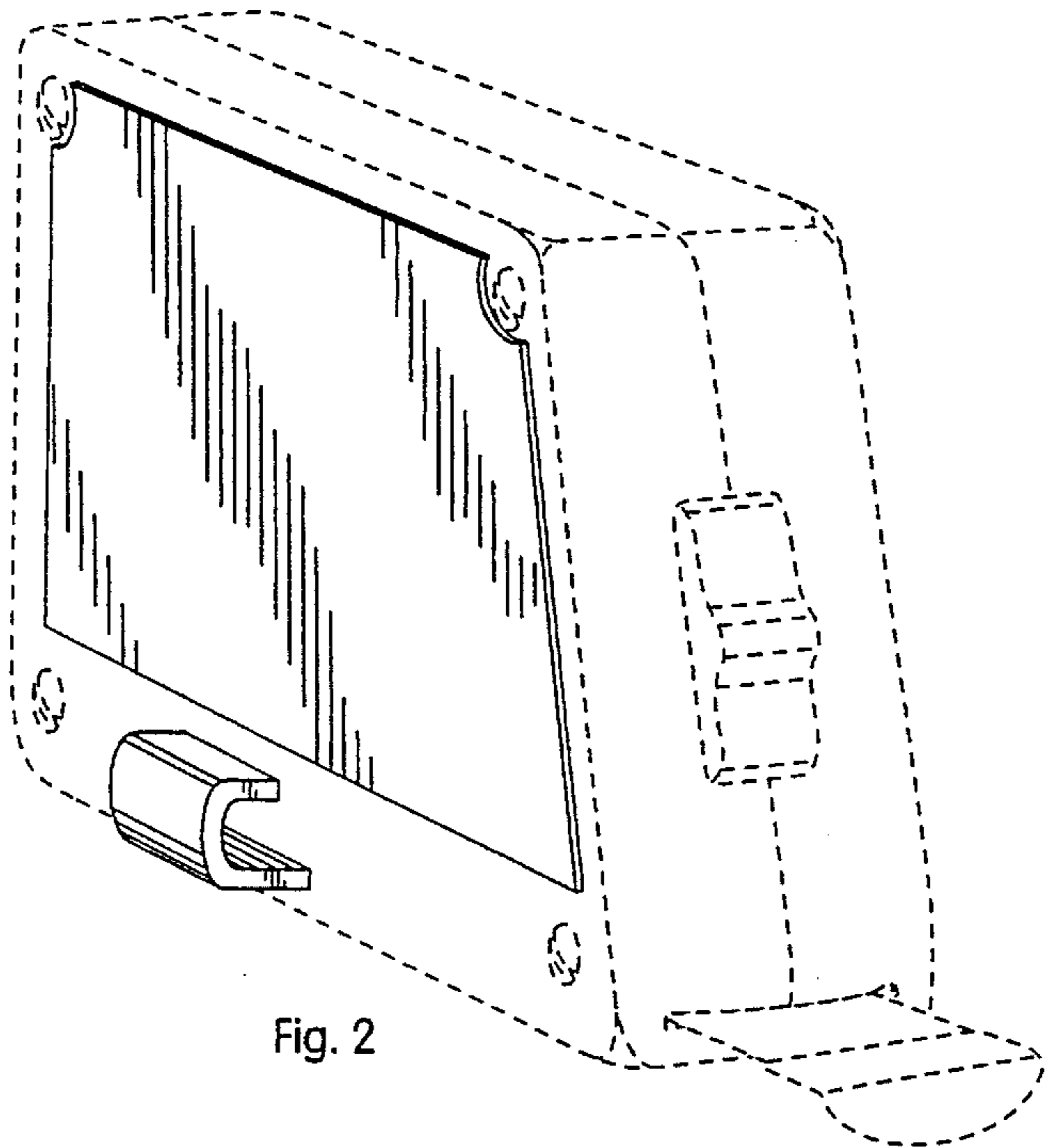


Fig. 2

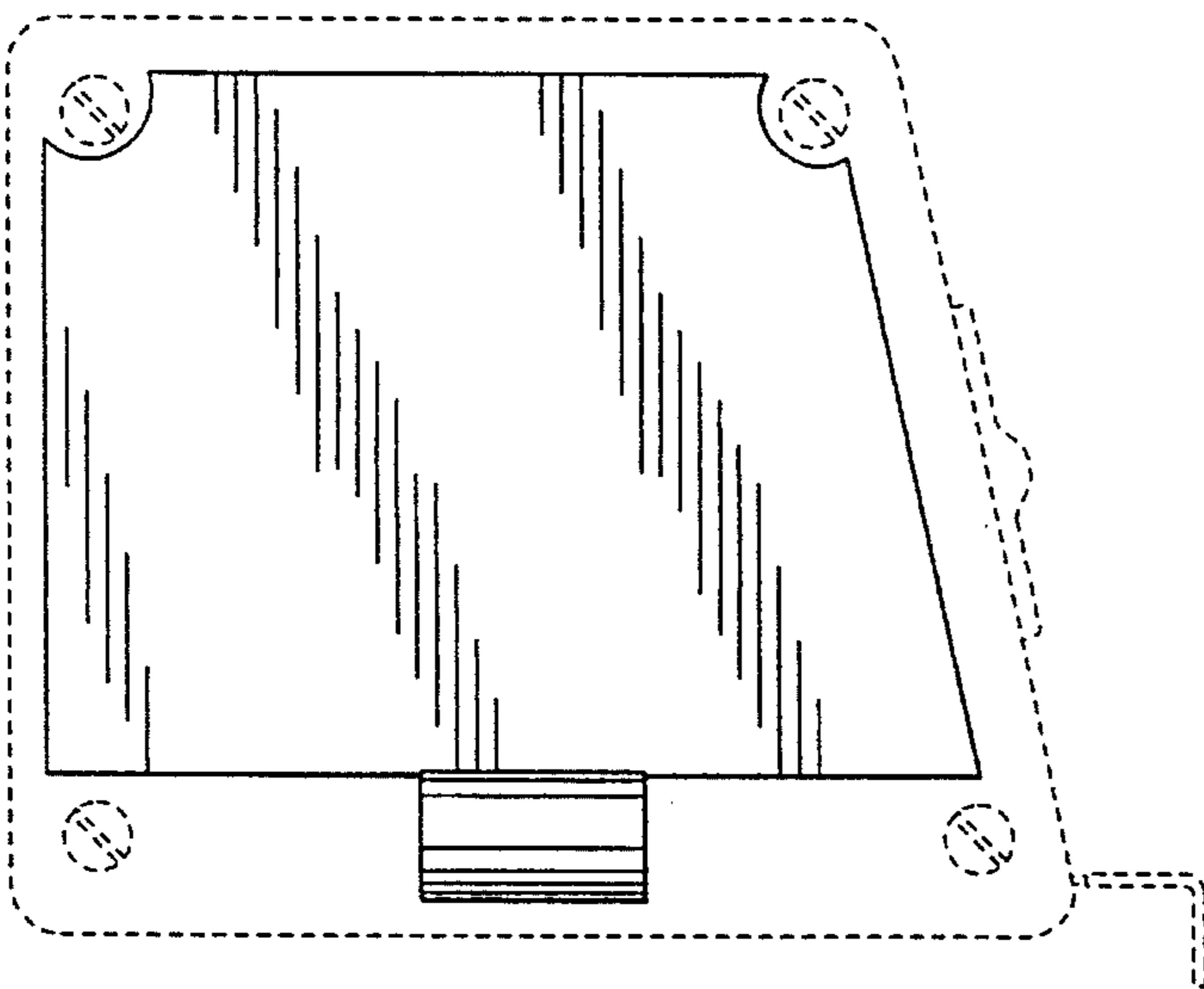


Fig. 3

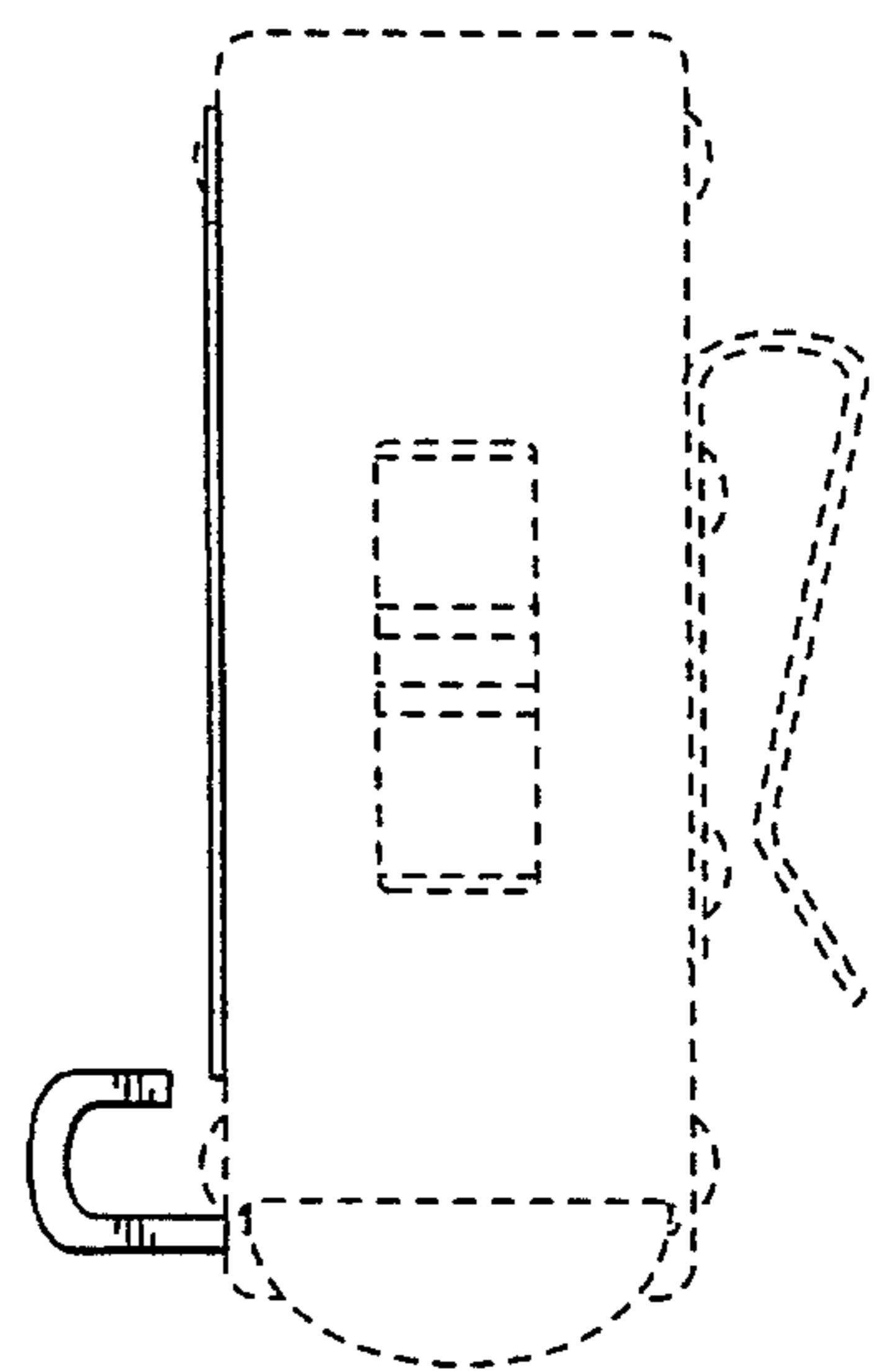


Fig. 4