



US00D365769S

United States Patent [19]

Kang

[11] **Patent Number: Des. 365,769**

[45] **Date of Patent: **Jan. 2, 1996**

[54] **MEASURING TAPE**

[75] Inventor: **Dong H. Kang**, Pusan, Rep. of Korea

[73] Assignee: **Komelon Corporation Ltd.**, Rep. of Korea

[**] Term: **14 Years**

[21] Appl. No.: **35,536**

[22] Filed: **Mar. 1, 1995**

[52] U.S. Cl. **D10/72**

[58] **Field of Search** D10/72; 33/756-772;
242/395.1, 406, 584.1, 396.9, 394, 405.3,
390.1, 390.9, 397.2, 397.5, 487, 587.1,
615.2

3,347,487 10/1967 Sellen et al. 242/395.1
3,763,569 10/1973 Merlat 33/766
3,830,443 8/1974 Quenot 242/396.9
4,189,107 2/1980 Quenot et al. 242/390.1
4,251,038 2/1981 Gename 242/397.2

Primary Examiner—Antoine Duval Davis
Attorney, Agent, or Firm—Merchant, Gould, Smith, Edell,
Welter & Schmidt

[57] CLAIM

The ornamental design for a measuring tape, as shown.

DESCRIPTION

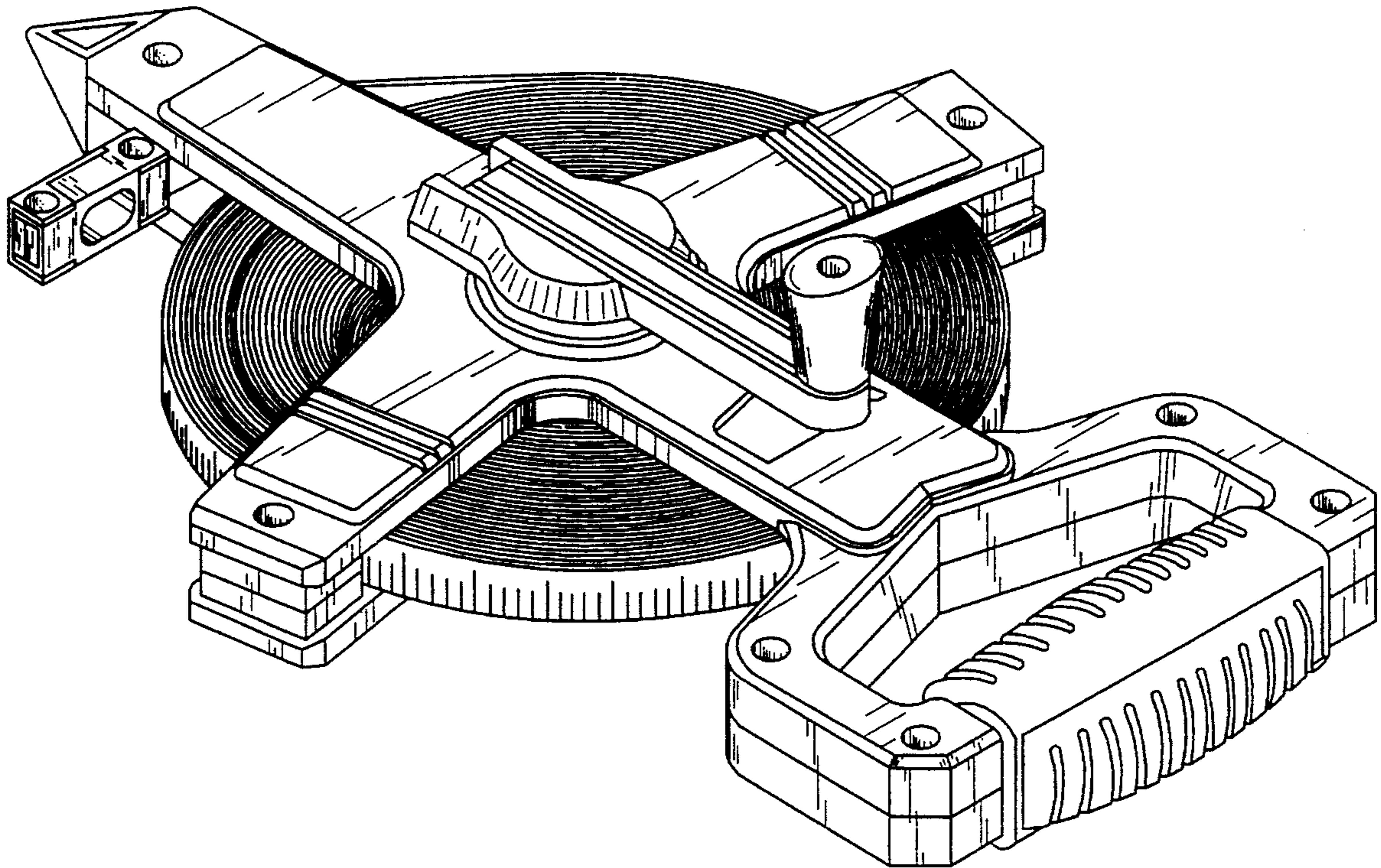
FIG. 1 is a perspective view of a tape measure;
FIG. 2 is a top plan view thereof;
FIG. 3 is a front elevational view thereof;
FIG. 4 is a bottom plan view thereof;
FIG. 5 is a rear elevational view thereof;
FIG. 6 is a left side view thereof; and,
FIG. 7 is a right side view thereof.

[56] References Cited

U.S. PATENT DOCUMENTS

D. 310,043 8/1990 Kang D10/72
D. 311,697 10/1990 Kang D10/72
3,289,306 12/1966 Todd 33/760

1 Claim, 5 Drawing Sheets



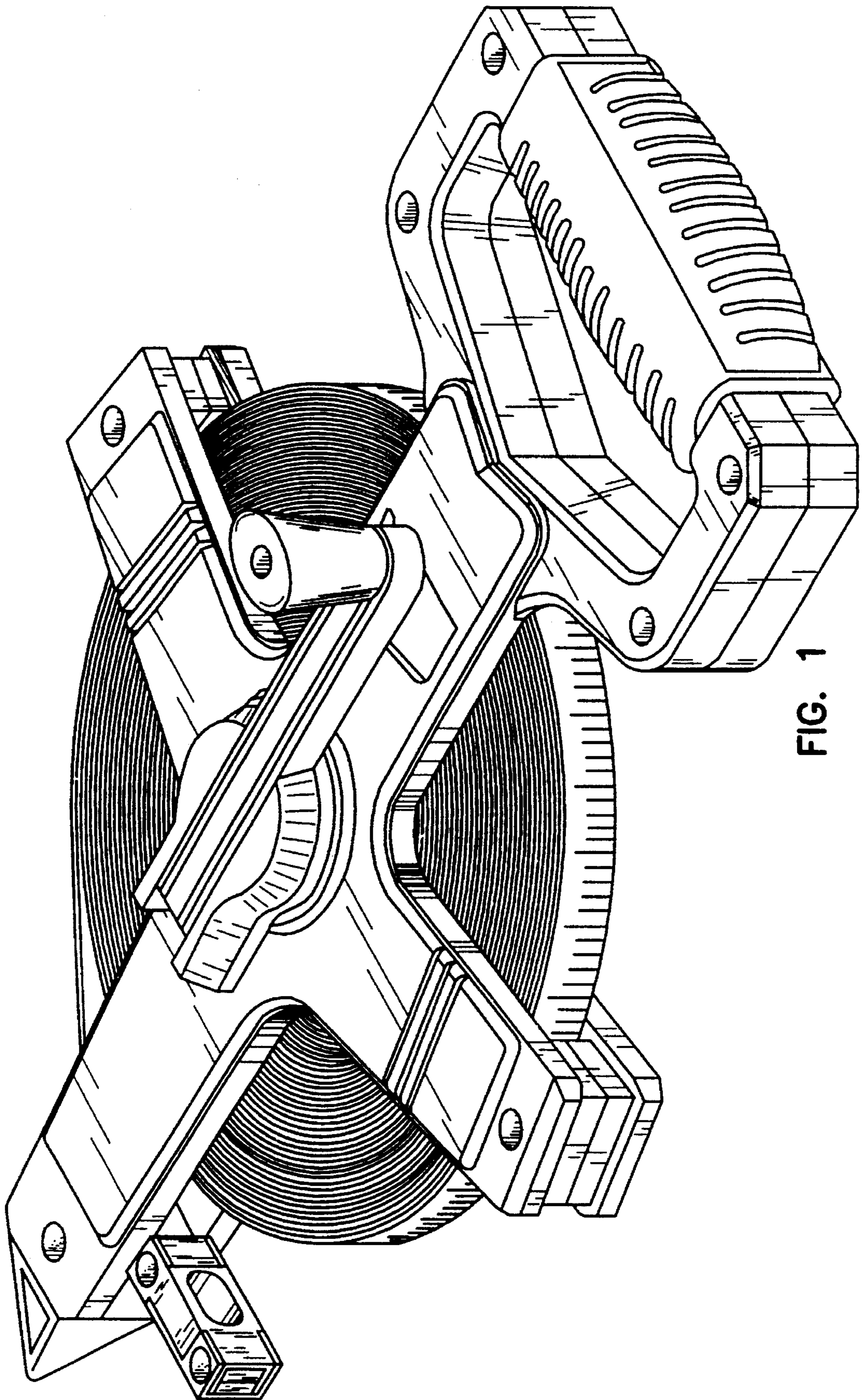
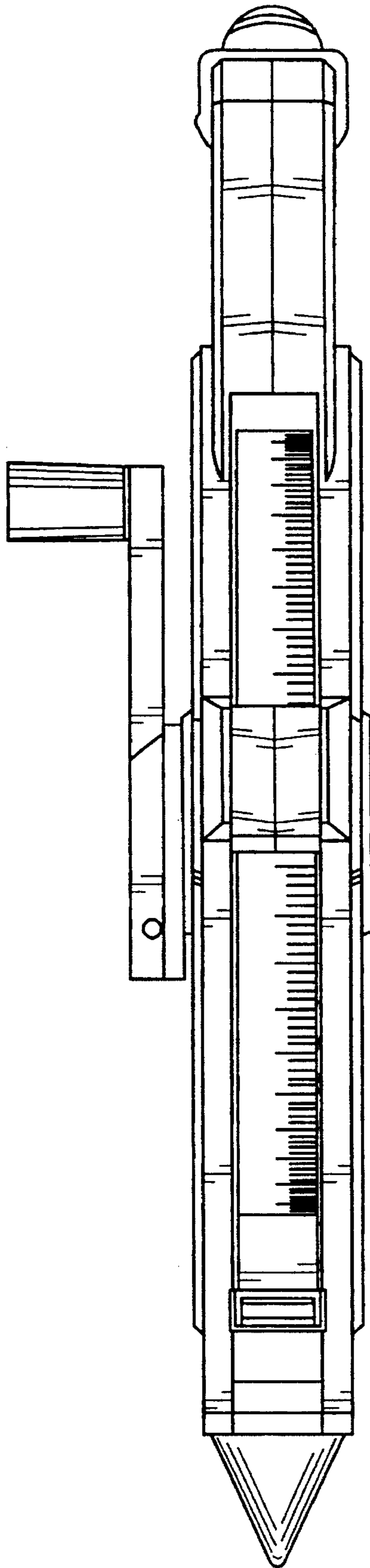
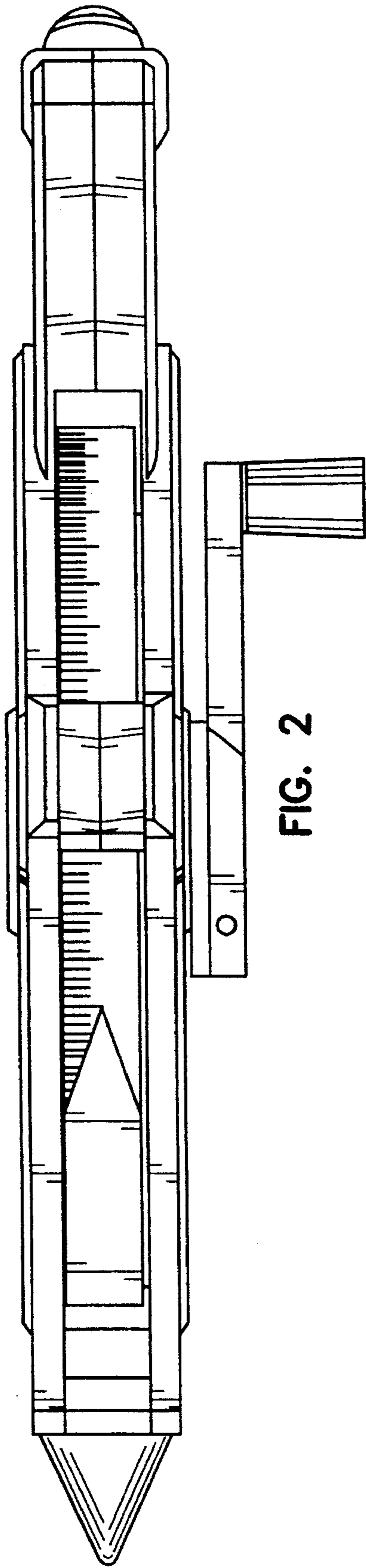


FIG. 1



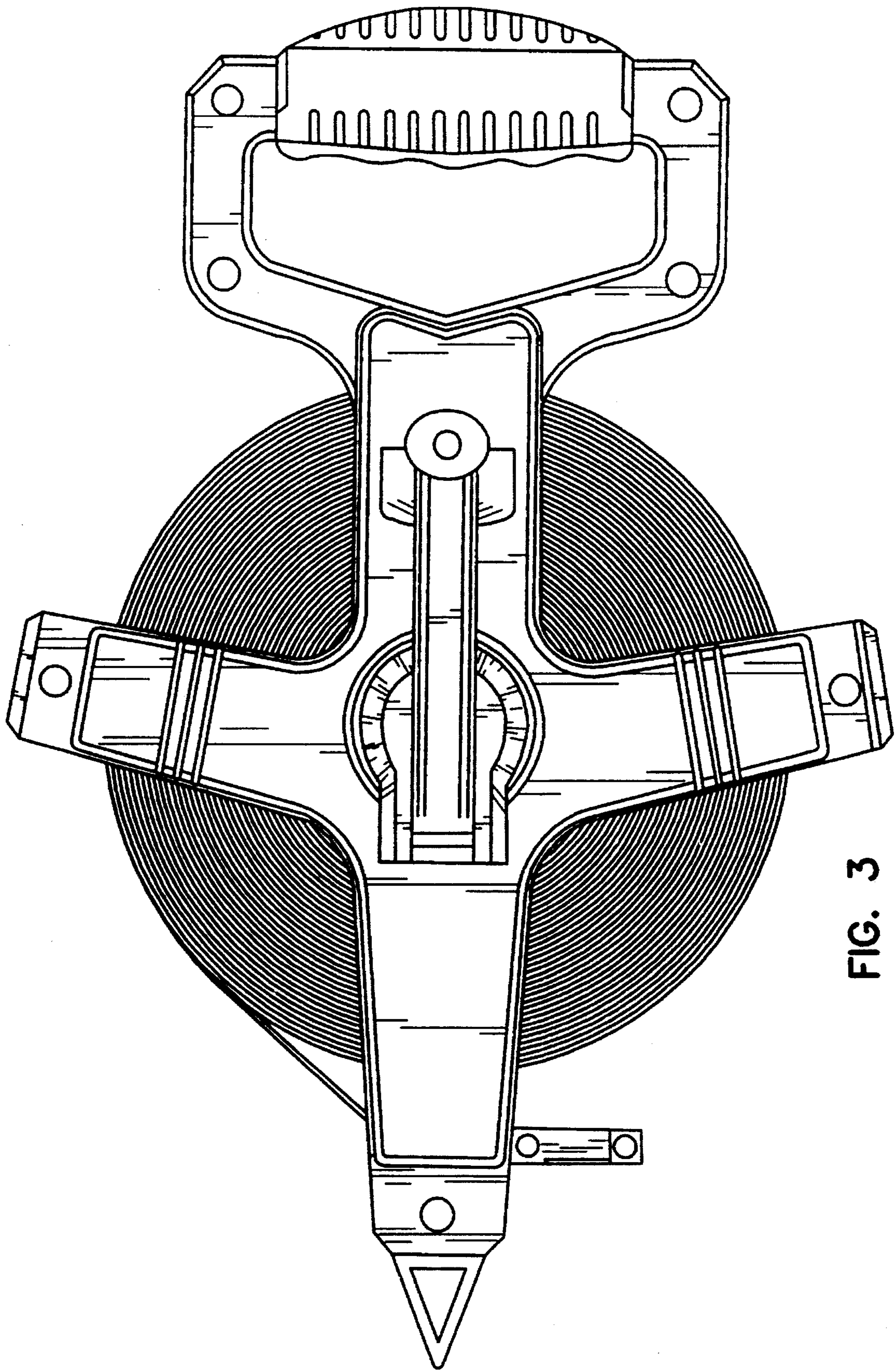


FIG. 3

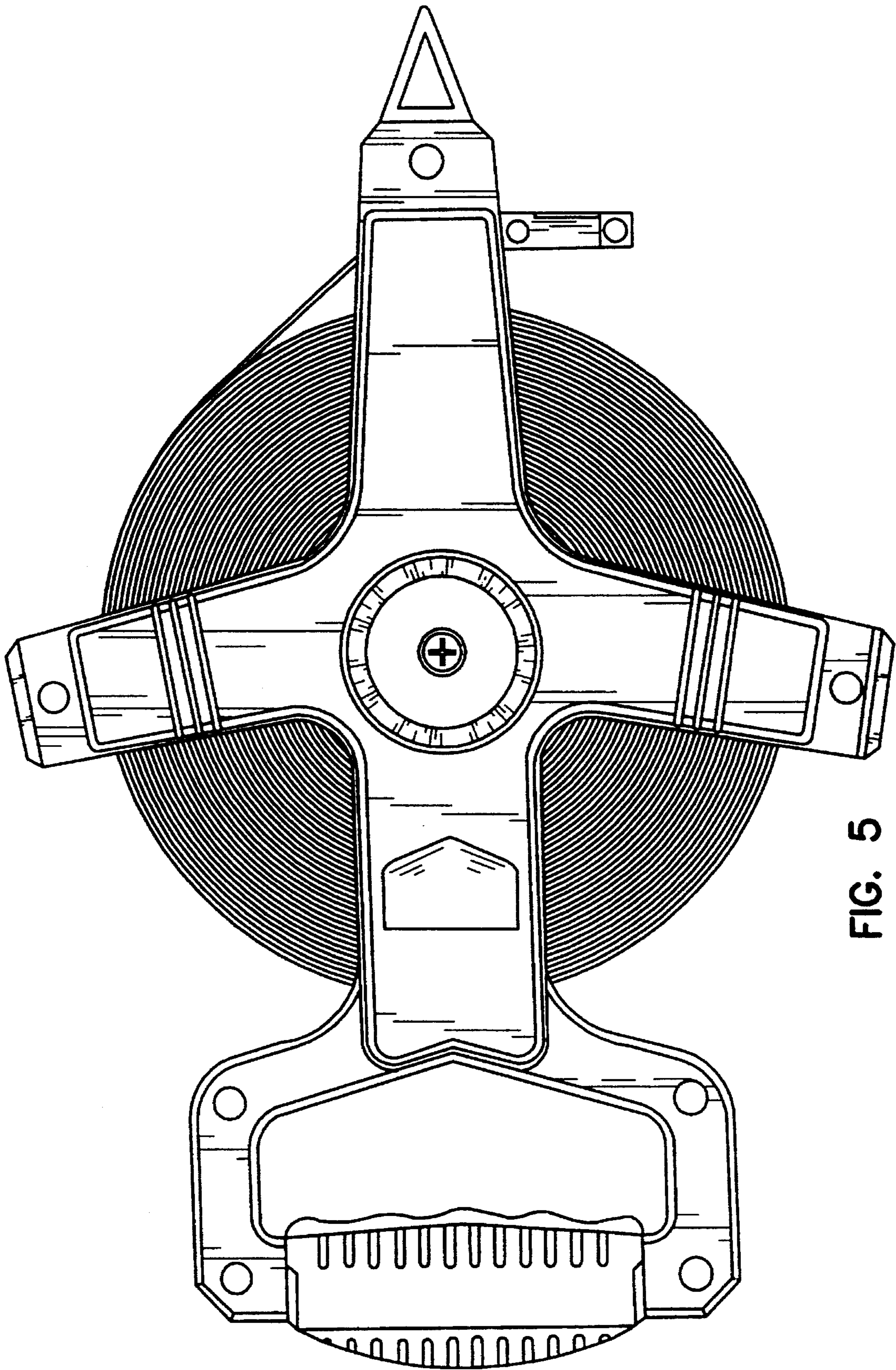


FIG. 5

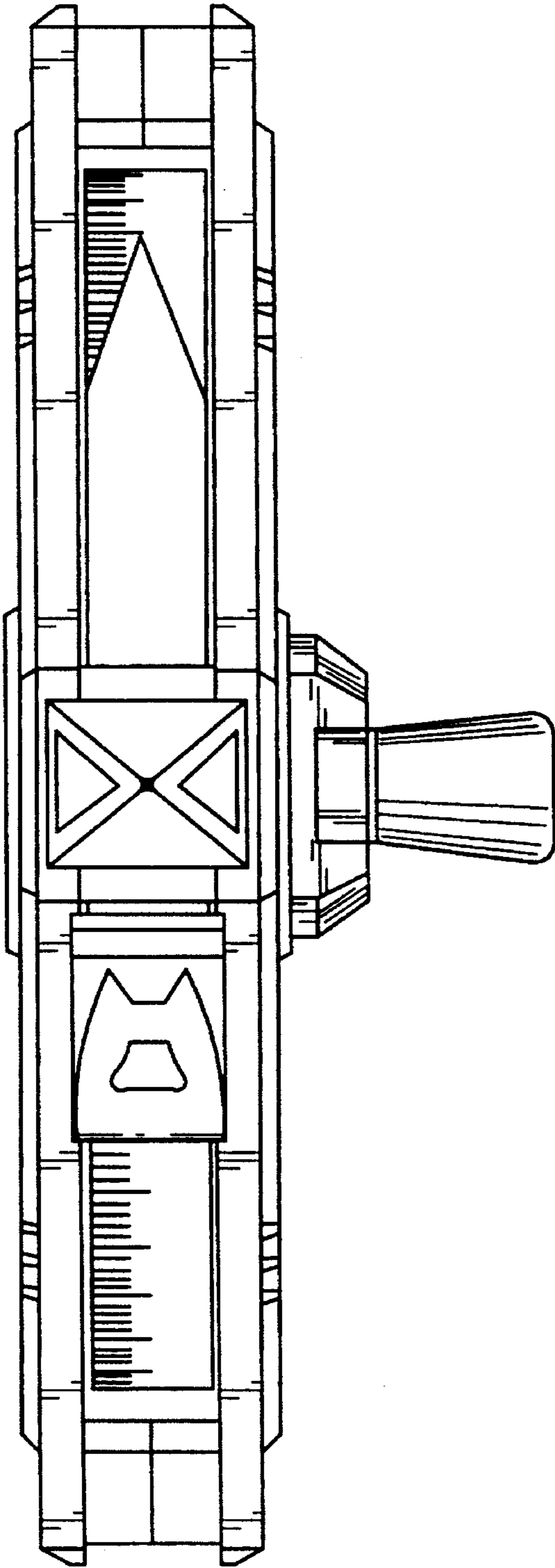


FIG. 6

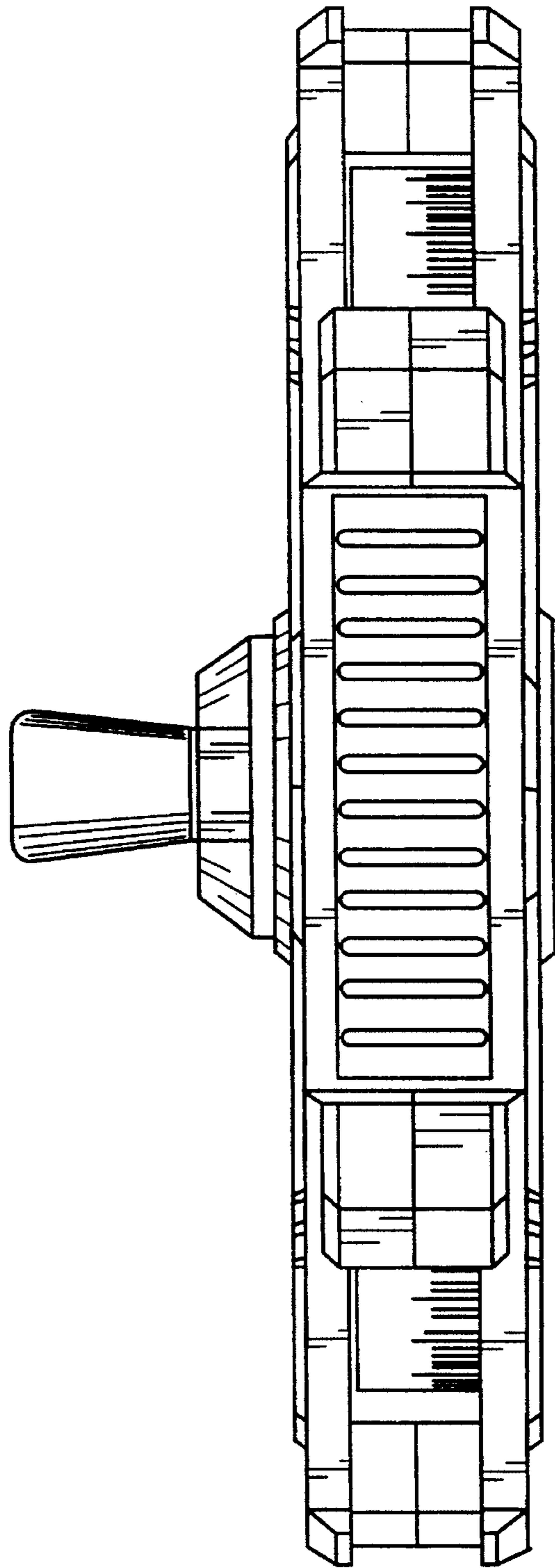


FIG. 7