



US00D365768S

United States Patent [19] Rodriguez

[11] Patent Number: **Des. 365,768**

[45] Date of Patent: ****Jan. 2, 1996**

[54] LIGHT LEVEL WITH MAGNET

[76] Inventor: **Salvador C. Rodriguez**, 1908 Tadcaster Rd., Baltimore, Md. 21228

[**] Term: **14 Years**

[21] Appl. No.: **37,071**

[22] Filed: **Apr. 3, 1995**

[52] U.S. Cl. **D10/69**

[58] Field of Search D10/69; 33/365-390

[56] **References Cited**

U.S. PATENT DOCUMENTS

D. 333,793	3/1993	Pratt	D10/69
3,584,387	6/1971	Sturm	33/366
4,716,534	12/1987	Baucom et al.	33/366 X

Primary Examiner—Antoine Duval Davis

[57] **CLAIM**

The ornamental design for a light level with magnet, as shown and described.

DESCRIPTION

FIG. 1 is a front elevational view of the light level with magnet showing my new design;
FIG. 2 is a rear elevational view thereof;
FIG. 3 is a left side elevational view thereof;
FIG. 4 is a right side elevational view thereof;
FIG. 5 is a top plan view thereof;
FIG. 6 is a bottom plan view thereof; and,
FIG. 7 is an isometric view thereof.

1 Claim, 4 Drawing Sheets

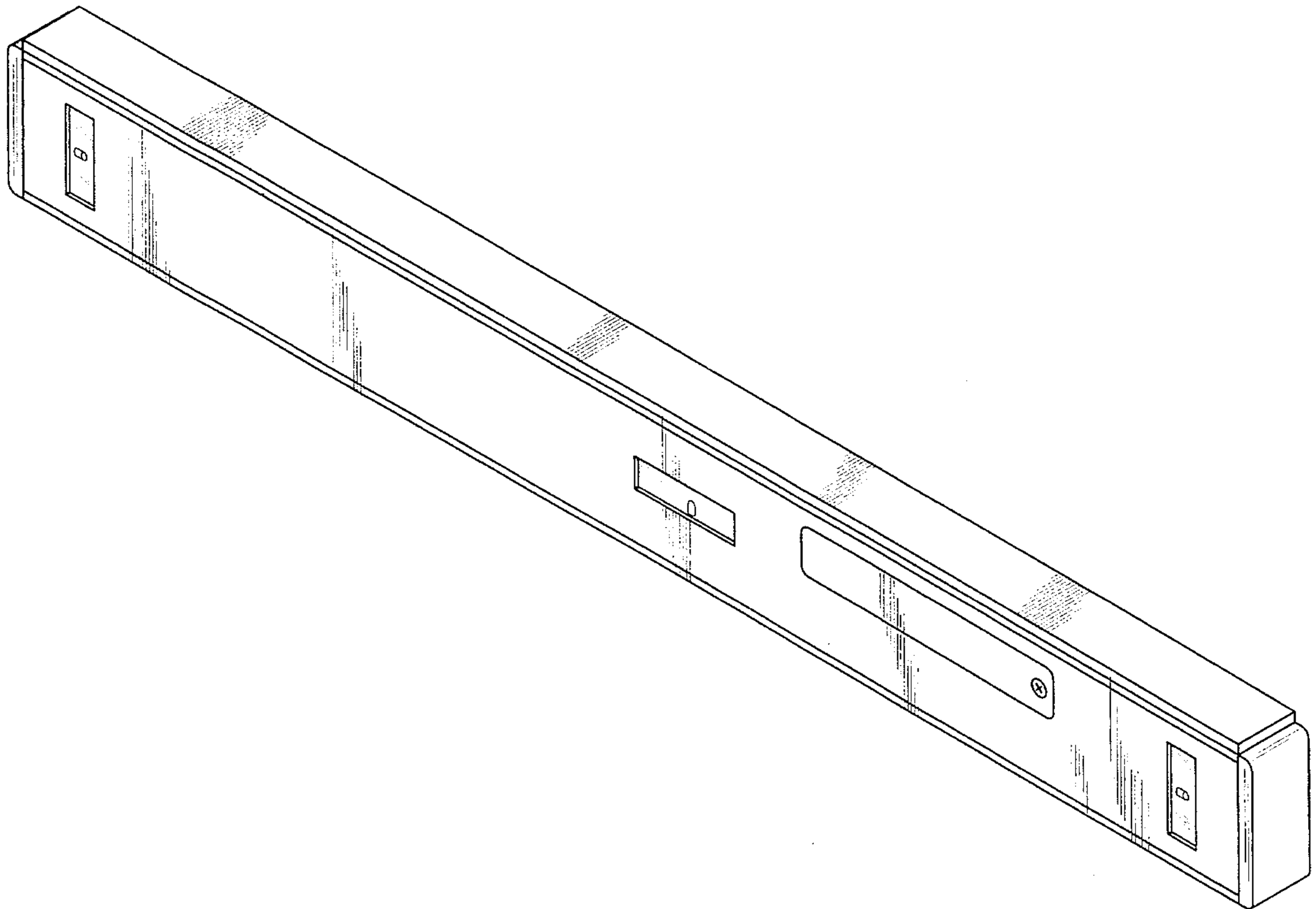


FIG. 1

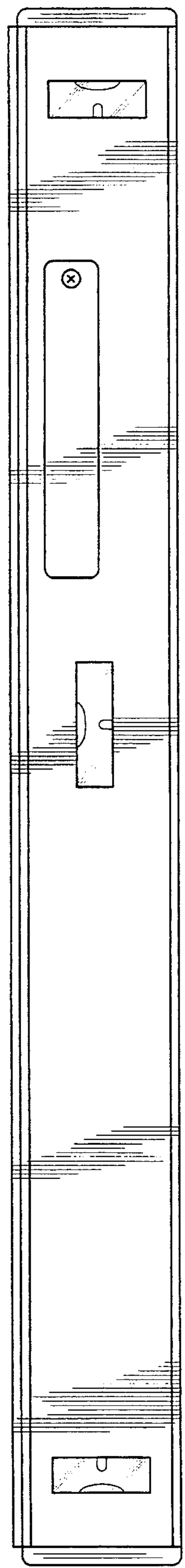


FIG. 2

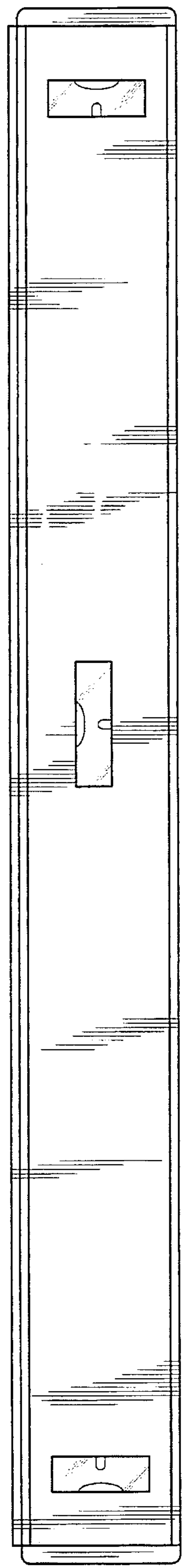


FIG. 3

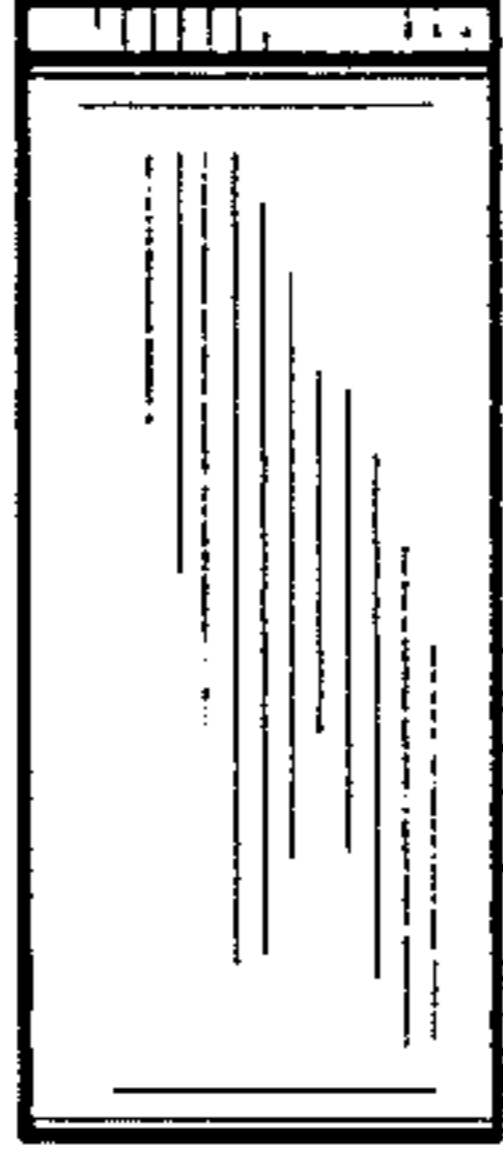


FIG. 4

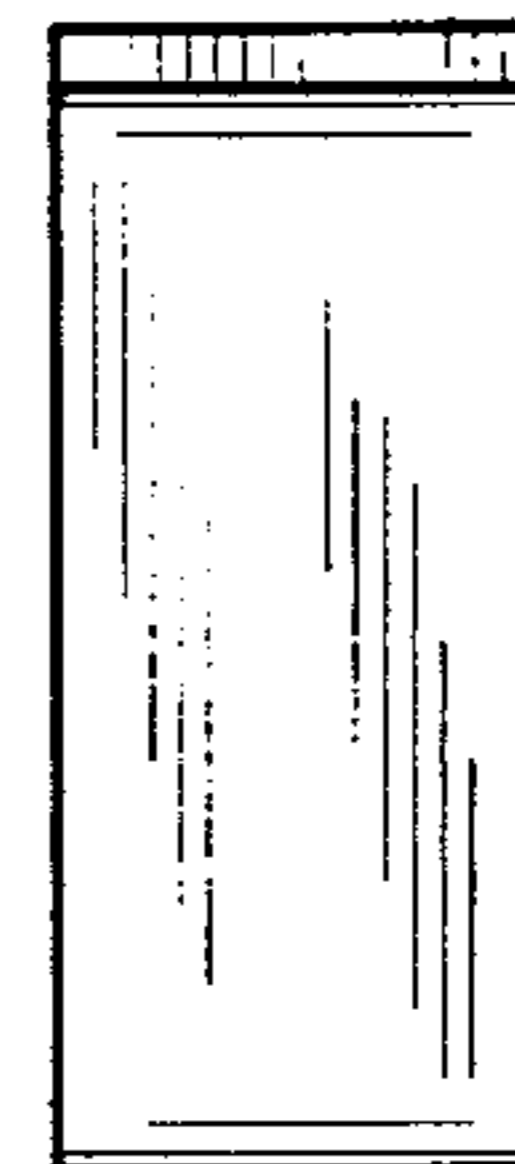


FIG. 7

