



US00D365763S

United States Patent [19]

[11] Patent Number: **Des. 365,763**

Mateer

[45] Date of Patent: ****Jan. 2, 1996**

[54] TALKING CLOCK

[76] Inventor: **Leonie Mateer**, 10596 Matinal Cir.,
San Diego, Calif. 92127

[**] Term: **14 Years**

[21] Appl. No.: **32,830**

[22] Filed: **Dec. 29, 1994**

[52] U.S. Cl. **D10/8; D10/7; D10/6**

[58] Field of Search D10/1-2, 6-8,
D10/22, 23, 122-126, 28; 368/223, 228,
232, 285, 276

D. 221,674	8/1971	Emdur	D10/25 X
D. 240,210	6/1976	Buckingham	D10/124
D. 253,693	12/1979	Guyll	D10/126
1,416,605	5/1922	Bulka	368/16
4,671,669	6/1987	Graves	368/17

Primary Examiner—Nelson C. Holtje
Attorney, Agent, or Firm—Arthur F. Holz

[57] CLAIM

The ornamental design for talking clock, as shown.

DESCRIPTION

FIG. 1 is a front elevational view of a talking clock showing my new design;

FIG. 2 is a rear elevational view of the talking clock;

FIG. 3 is a right side view of the talking clock;

FIG. 4 is a left side view of the talking clock;

FIG. 5 is a top plan view of the talking clock; and,

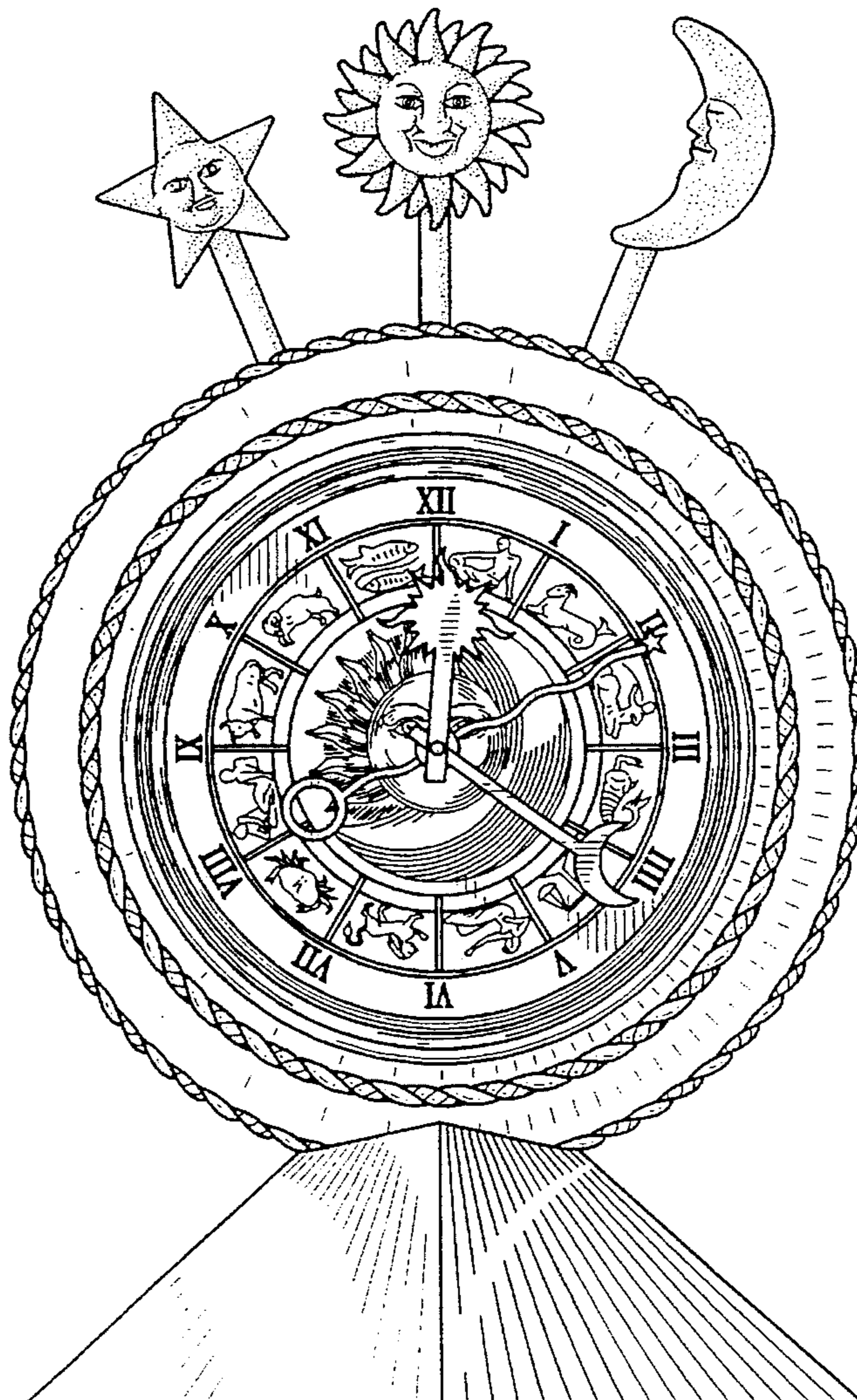
FIG. 6 is a bottom plan view of the talking clock.

[56] References Cited

U.S. PATENT DOCUMENTS

D. 40,663	4/1910	Pease	D10/6
D. 143,538	1/1946	Lerman	D10/8
D. 168,521	12/1952	Rudanet	D10/6
D. 191,712	11/1961	Wert	D10/25 X
D. 219,933	2/1971	DeZinno	D10/8

1 Claim, 3 Drawing Sheets



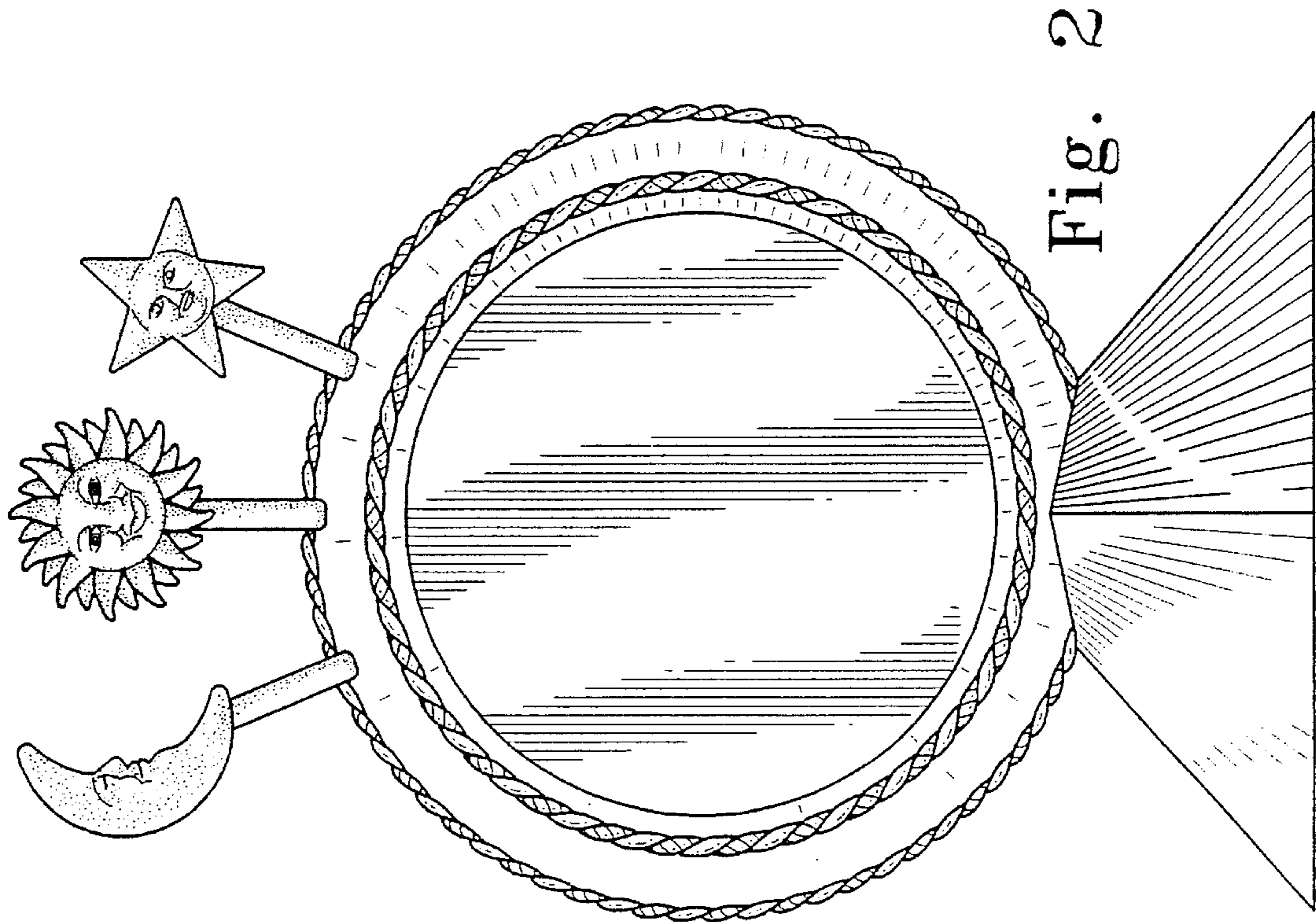


Fig. 2

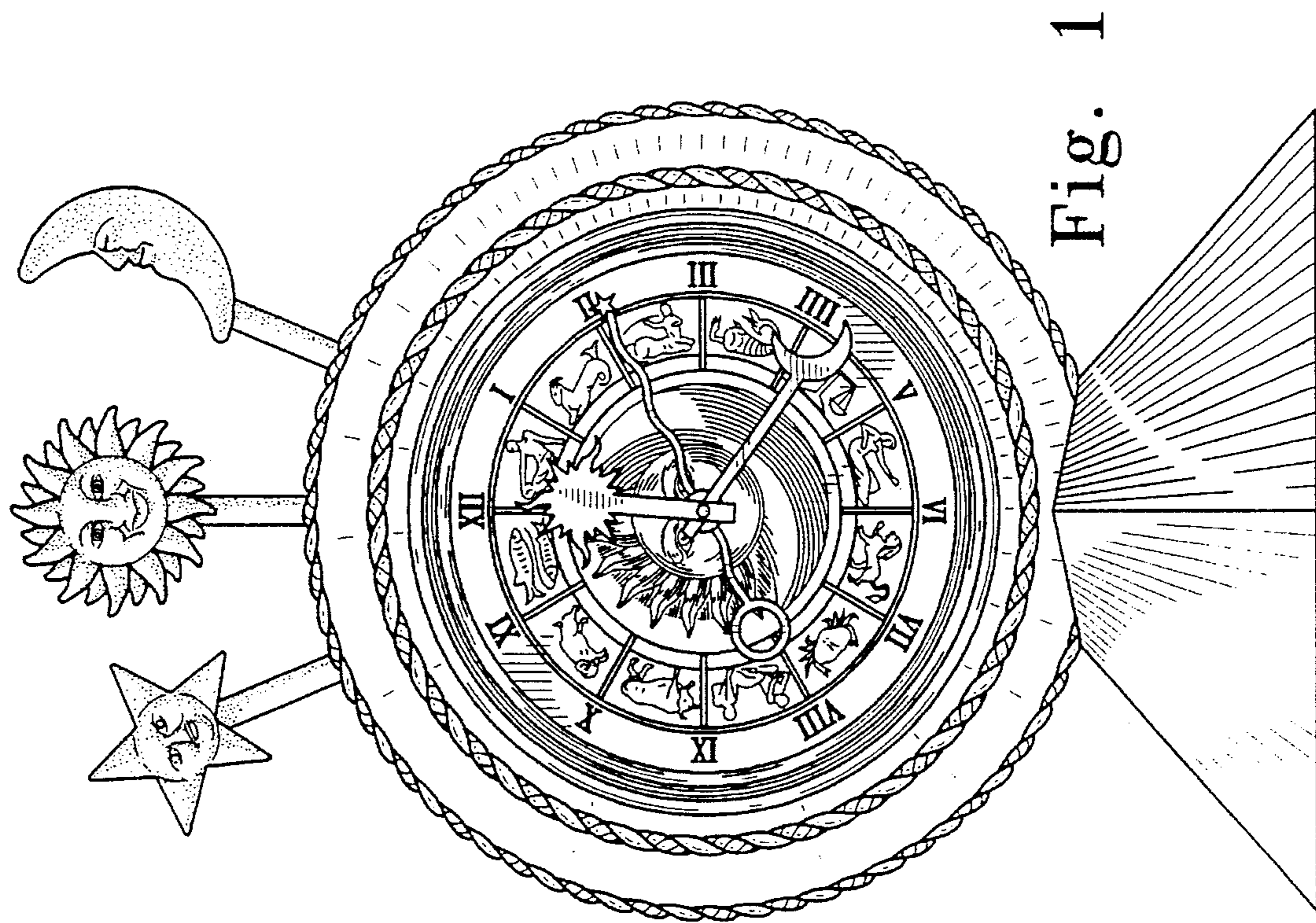
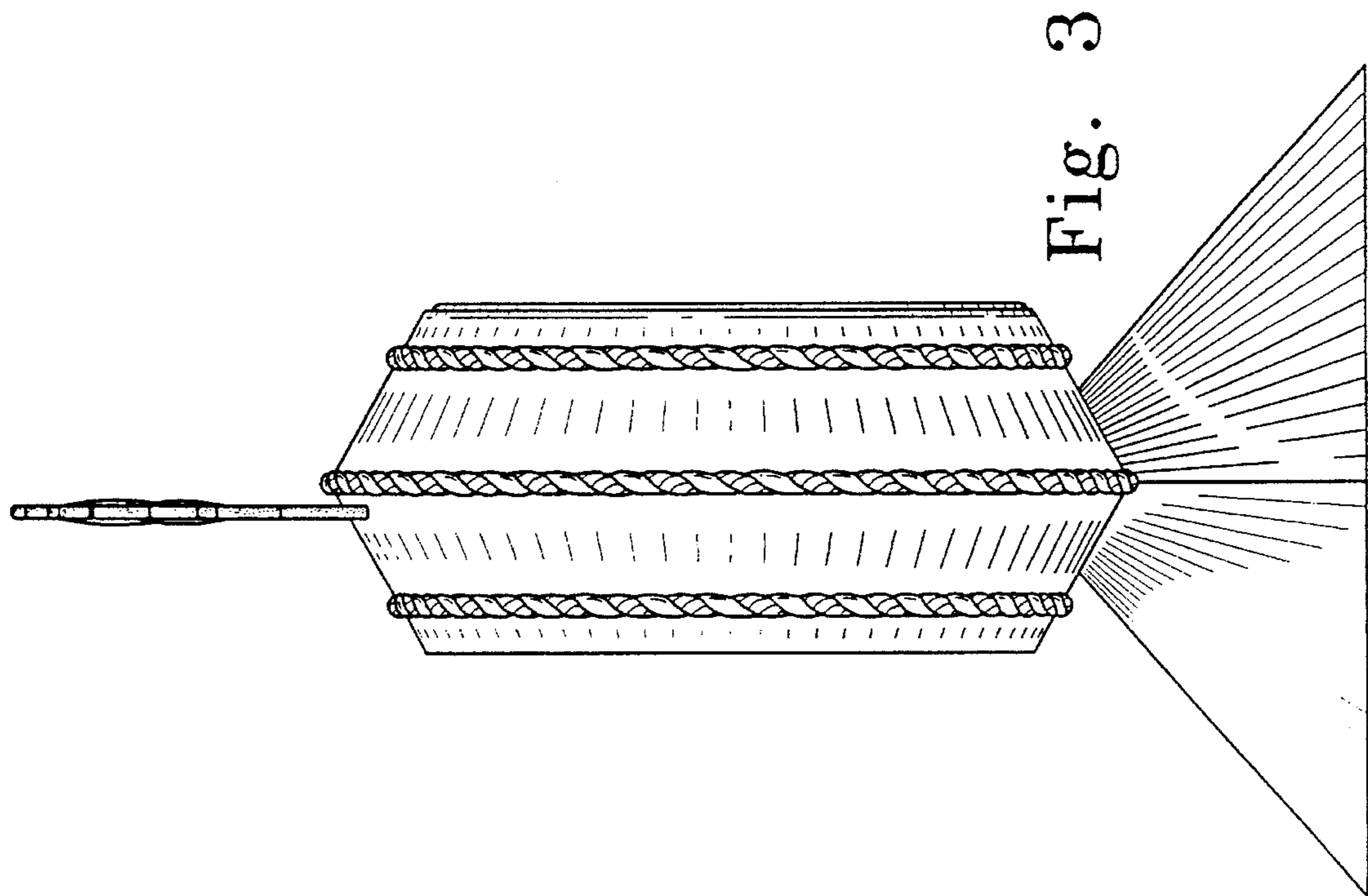
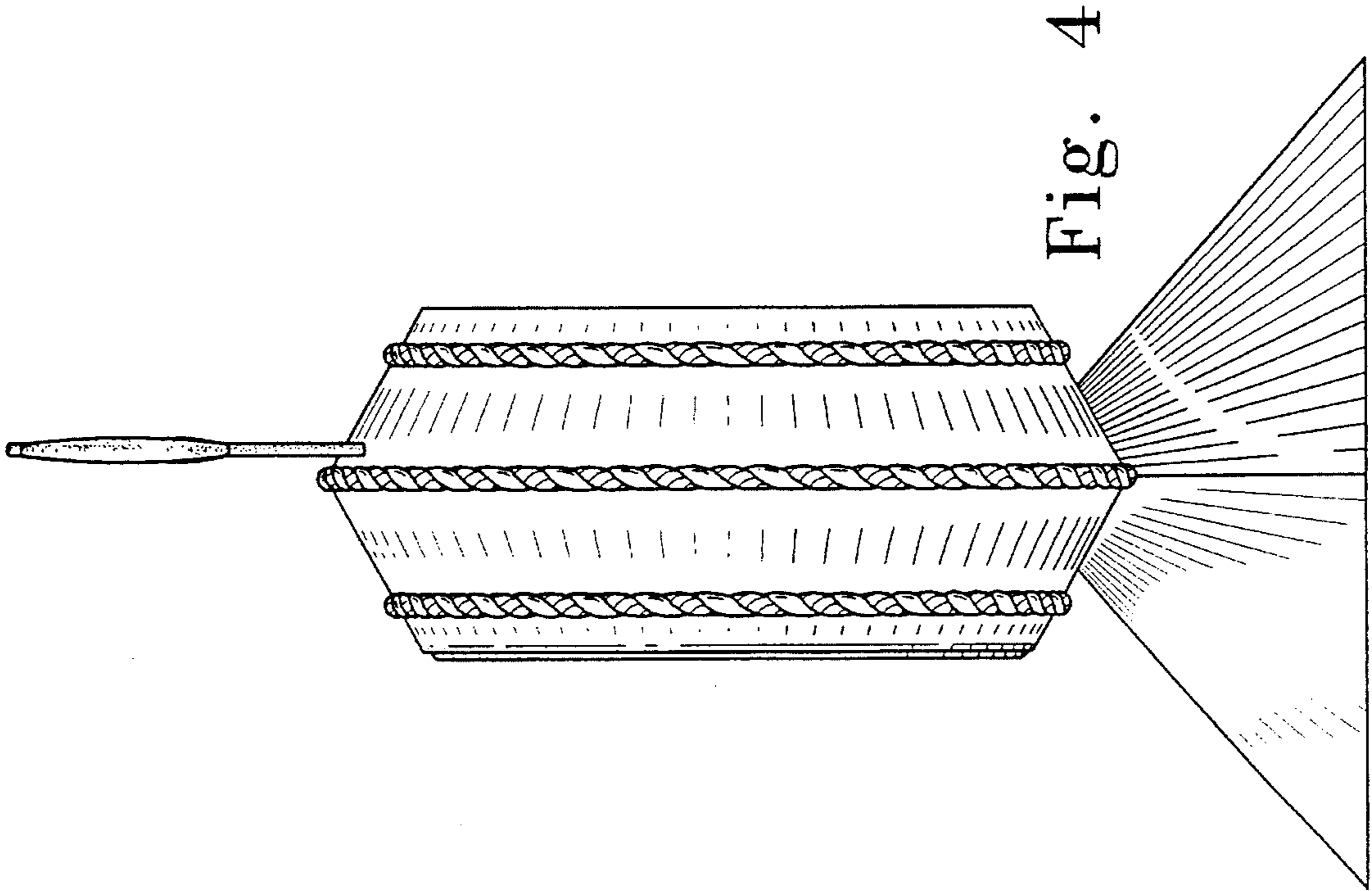


Fig. 1



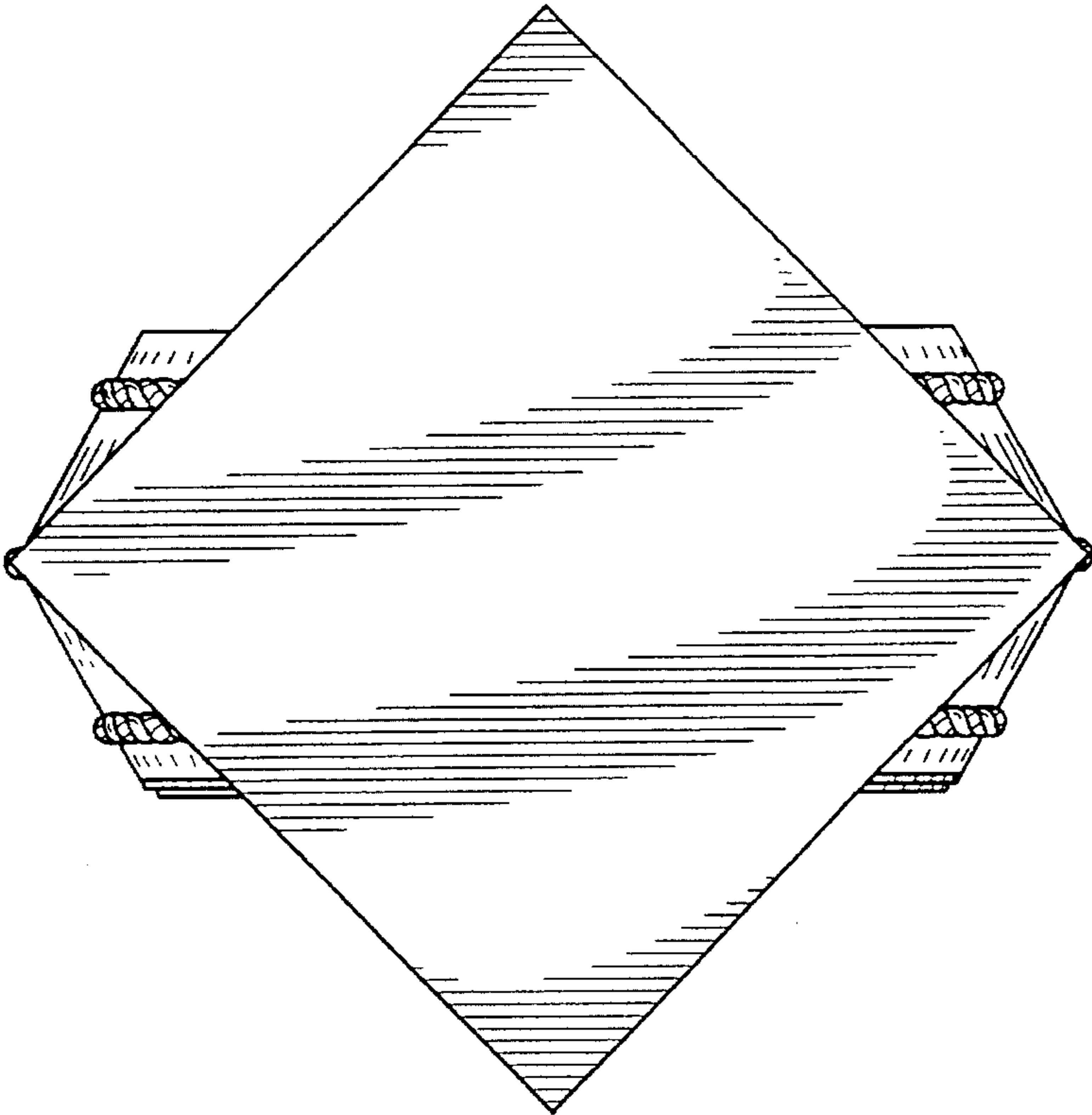


Fig. 6

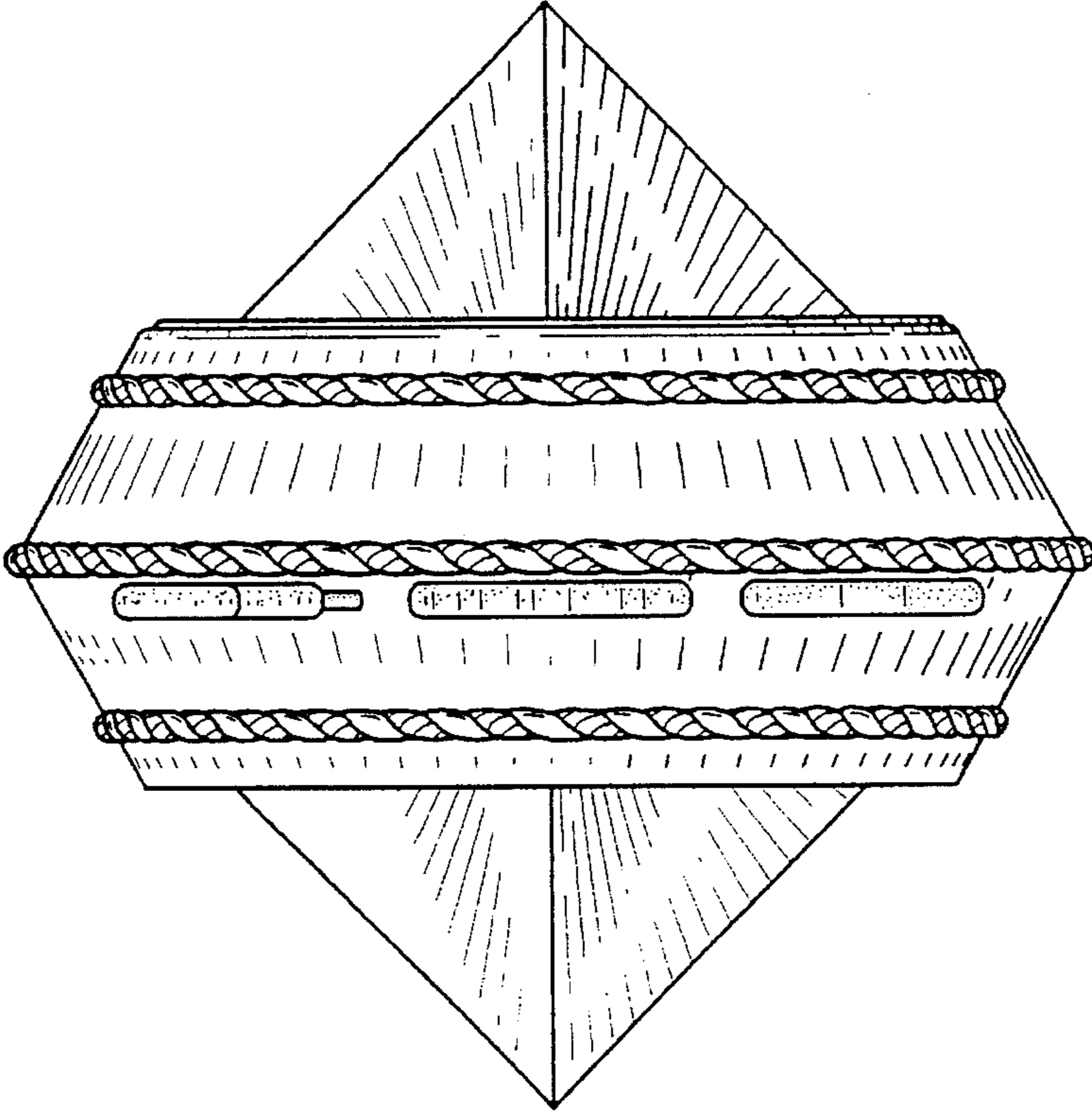


Fig. 5