



US00D365762S

United States Patent [19]

[11] Patent Number: **Des. 365,762**

Mateer

[45] Date of Patent: ****Jan. 2, 1996**

[54] TALKING CLOCK

D. 253,693 12/1979 Gyll D10/126

[76] Inventor: **Leonie Mateer**, 10596 Matinal Cir.,
San Diego, Calif. 92127

D. 315,682 3/1991 Lin D10/21

4,671,669 6/1987 Graves D10/126 X

[**] Term: **14 Years**

Primary Examiner—Nelson C. Holtje

Attorney, Agent, or Firm—Arthur F. Holz

[21] Appl. No.: **32,840**

[57] **CLAIM**

[22] Filed: **Dec. 29, 1994**

The ornamental design for talking clock, as shown.

[52] U.S. Cl. **D10/6; D10/8; D10/21**

DESCRIPTION

[58] Field of Search D10/1-40, 122-132;
368/276-277, 285, 316-317

FIG. 1 is a front elevational view of a talking clock showing my new design;

FIG. 2 is a rear elevational view of the talking clock;

FIG. 3 is a right side view of the talking clock design;

FIG. 4 is a left side view of the talking clock design;

FIG. 5 is a top plan view of the talking clock; and,

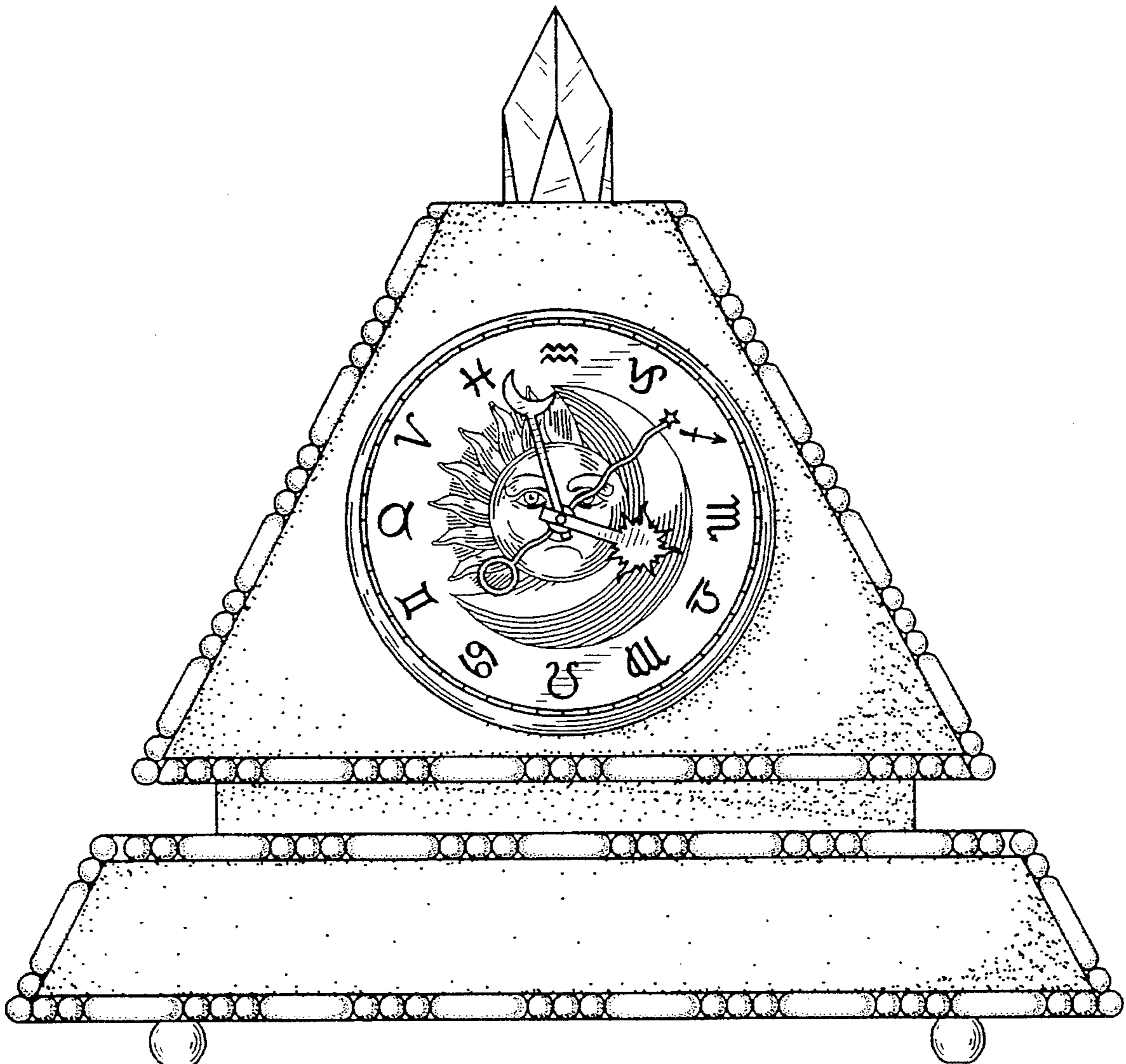
FIG. 6 is a bottom plan view of the talking clock.

[56] **References Cited**

U.S. PATENT DOCUMENTS

D. 143,538	1/1946	Lerman	D10/8
D. 191,460	10/1961	Ducommum	D10/21 X
D. 191,712	11/1961	Wert	D10/25 X
D. 219,933	2/1971	DeZinno	D10/8
D. 240,210	6/1976	Buckingham	D10/124

1 Claim, 3 Drawing Sheets



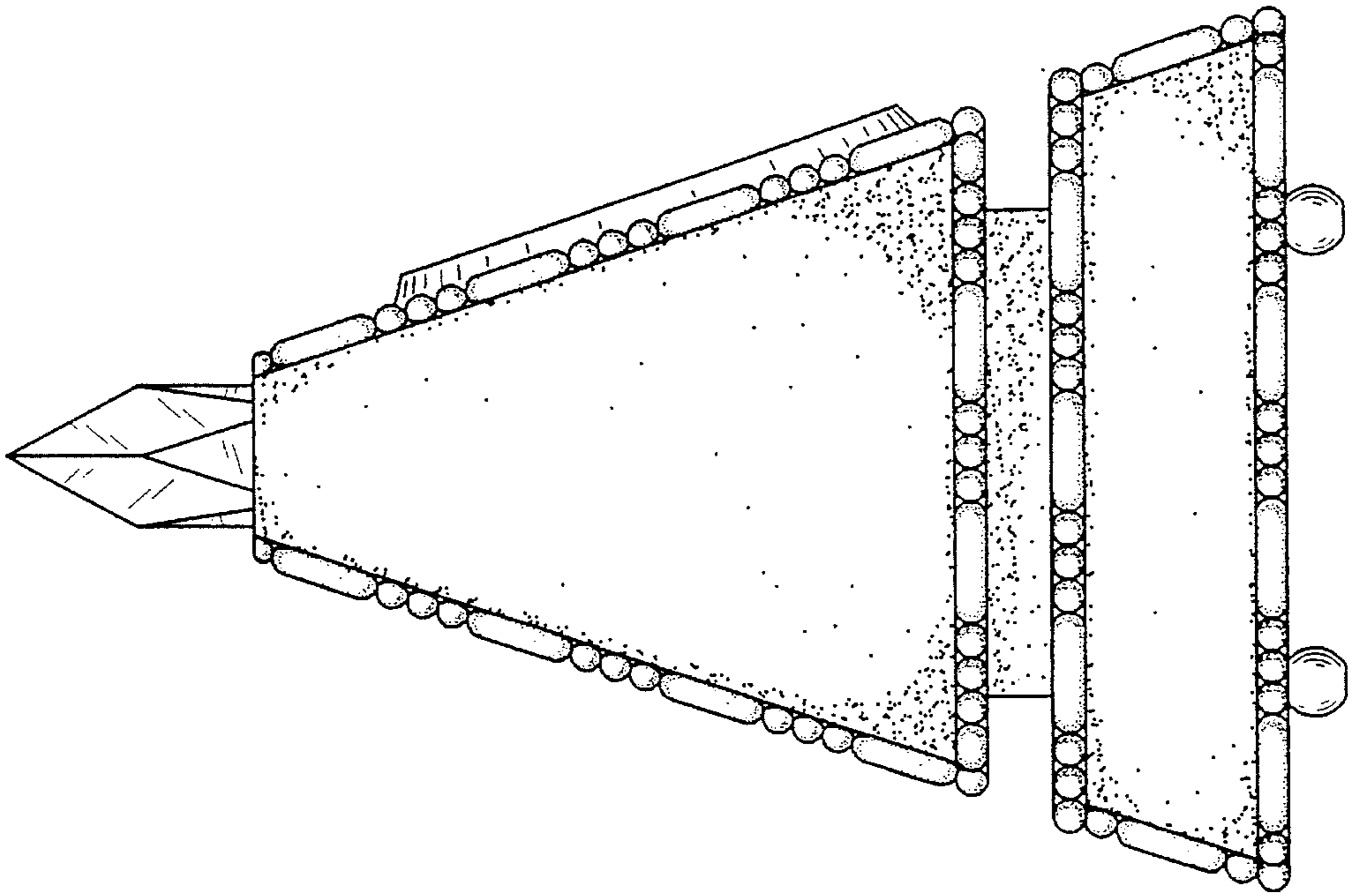


Fig. 3

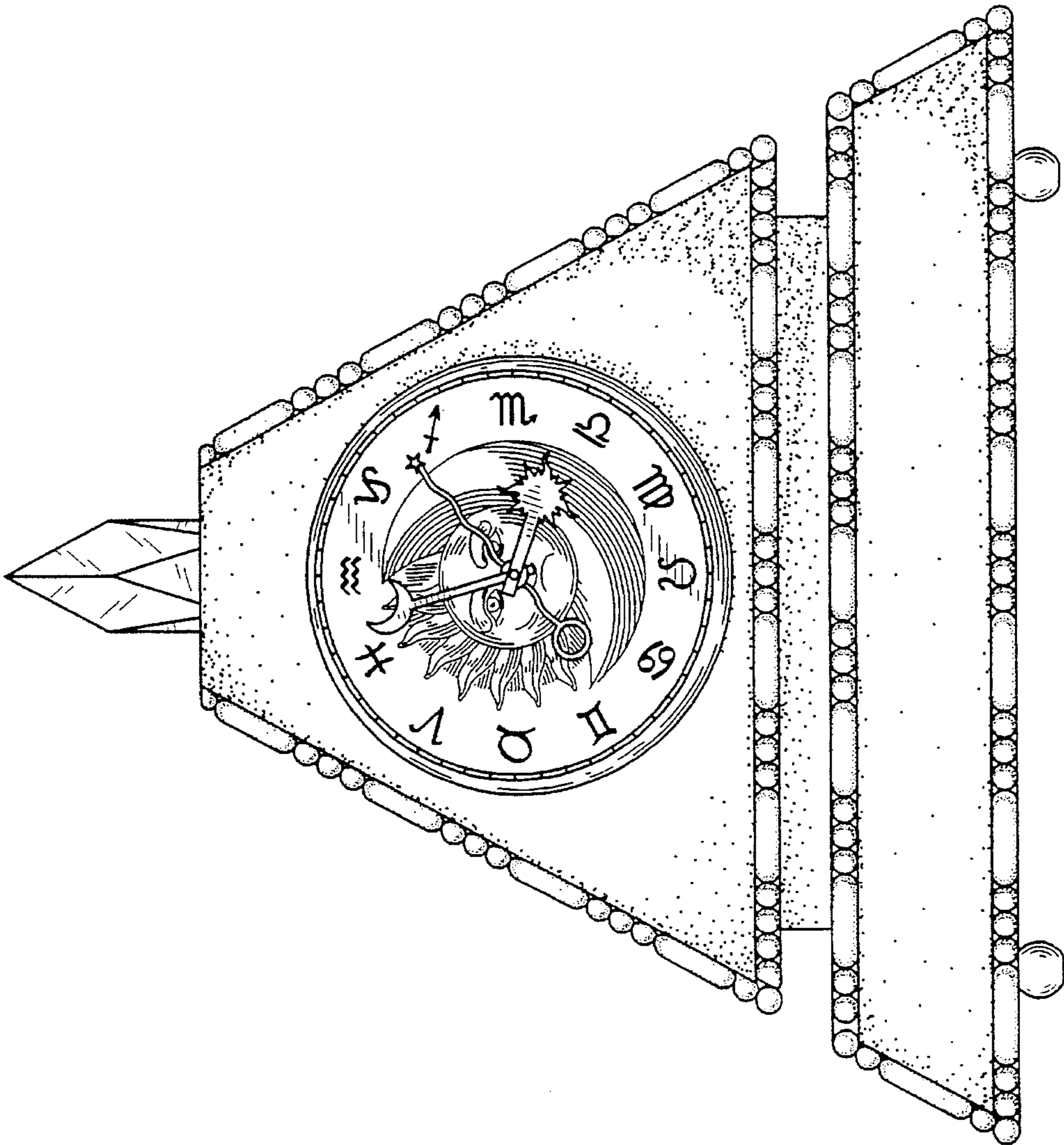


Fig. 1

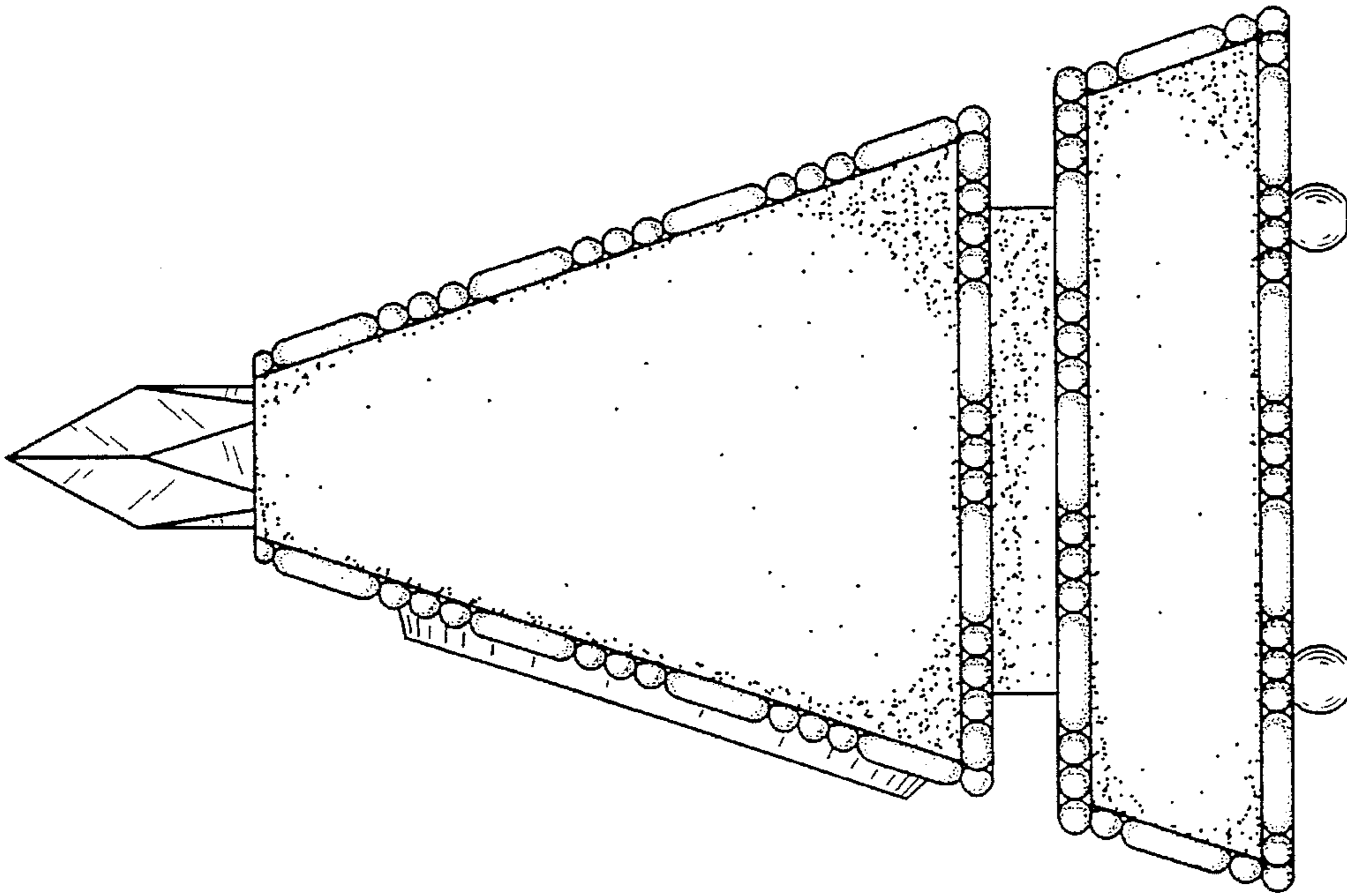


Fig. 4

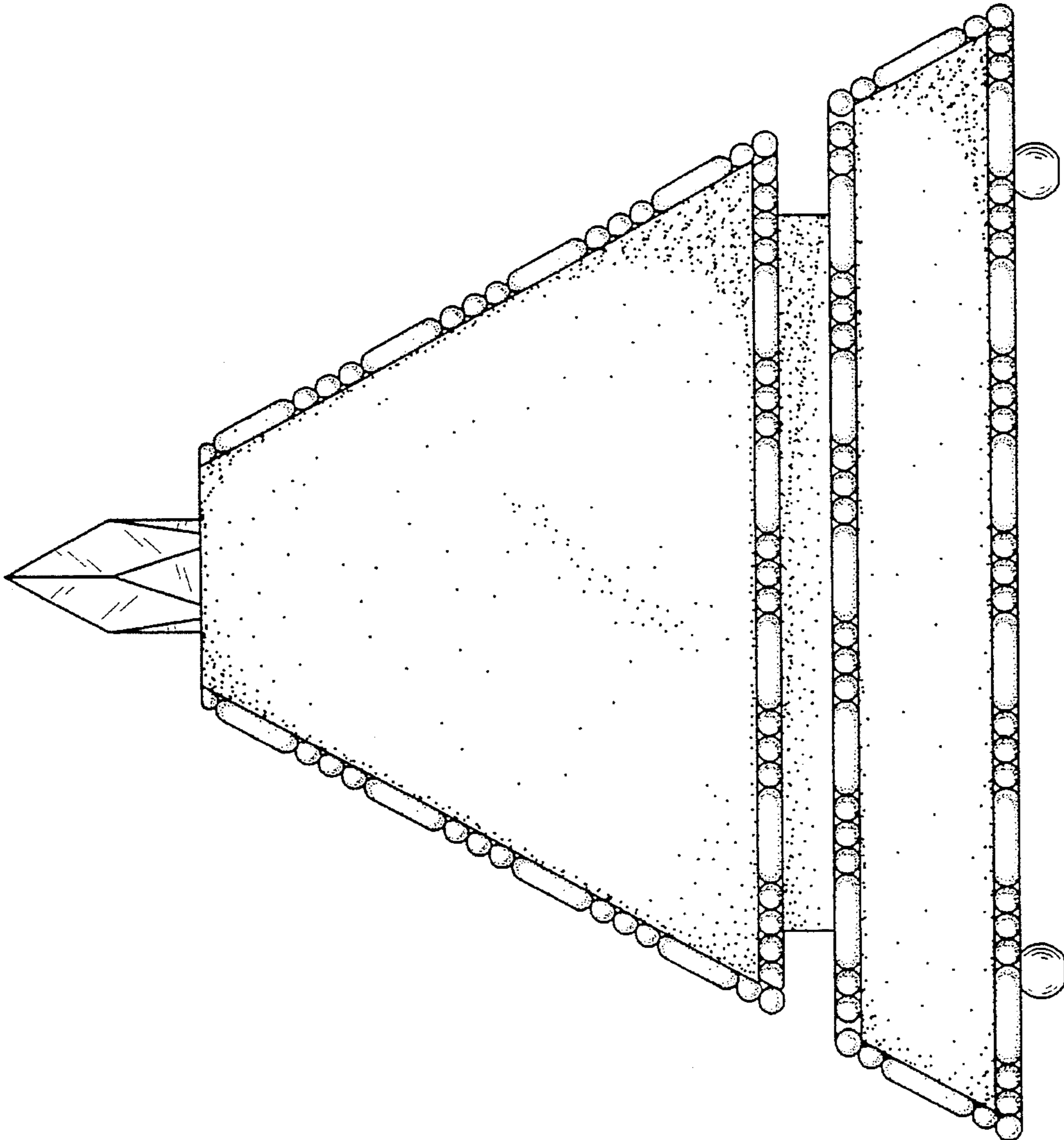


Fig. 2

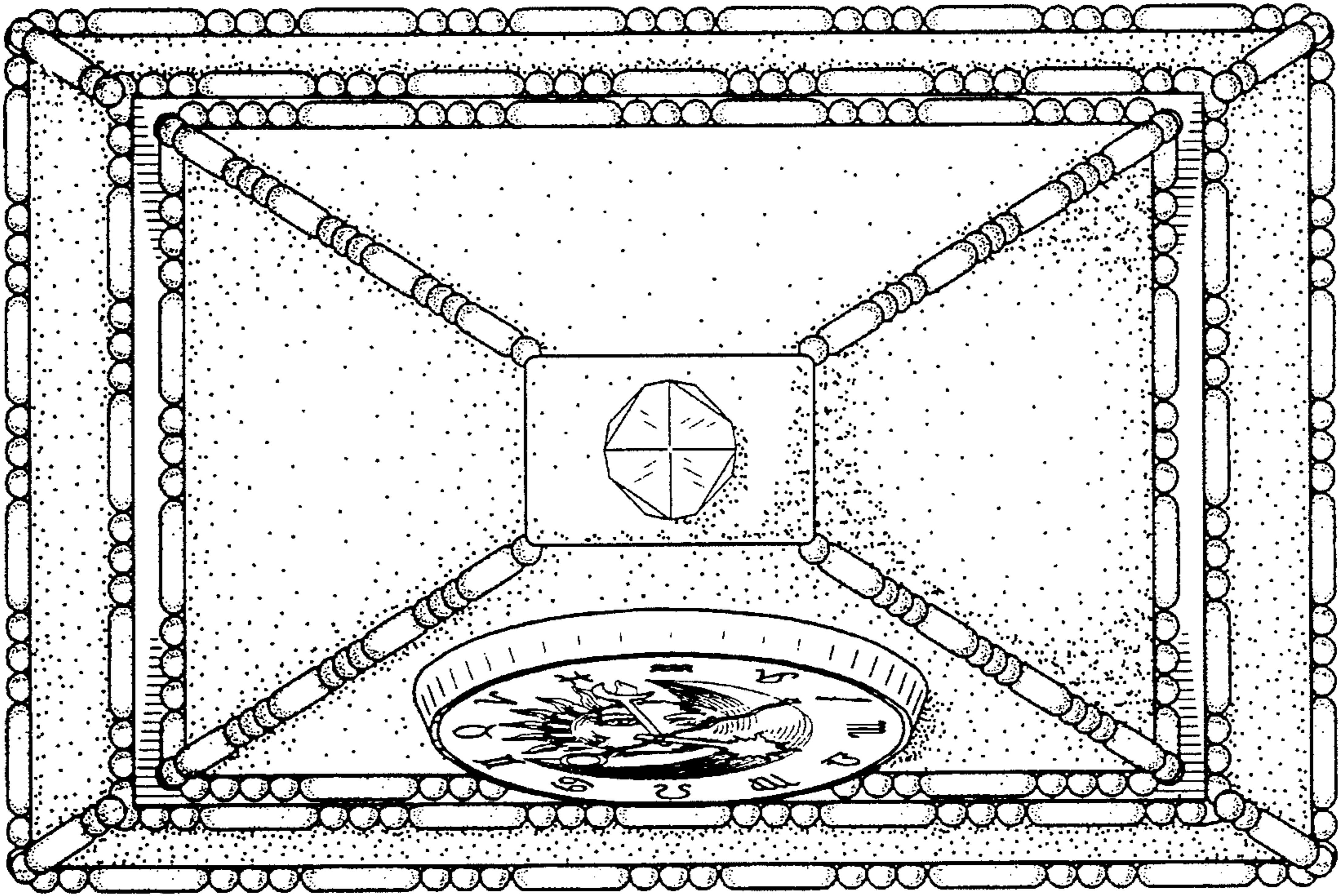


Fig. 5

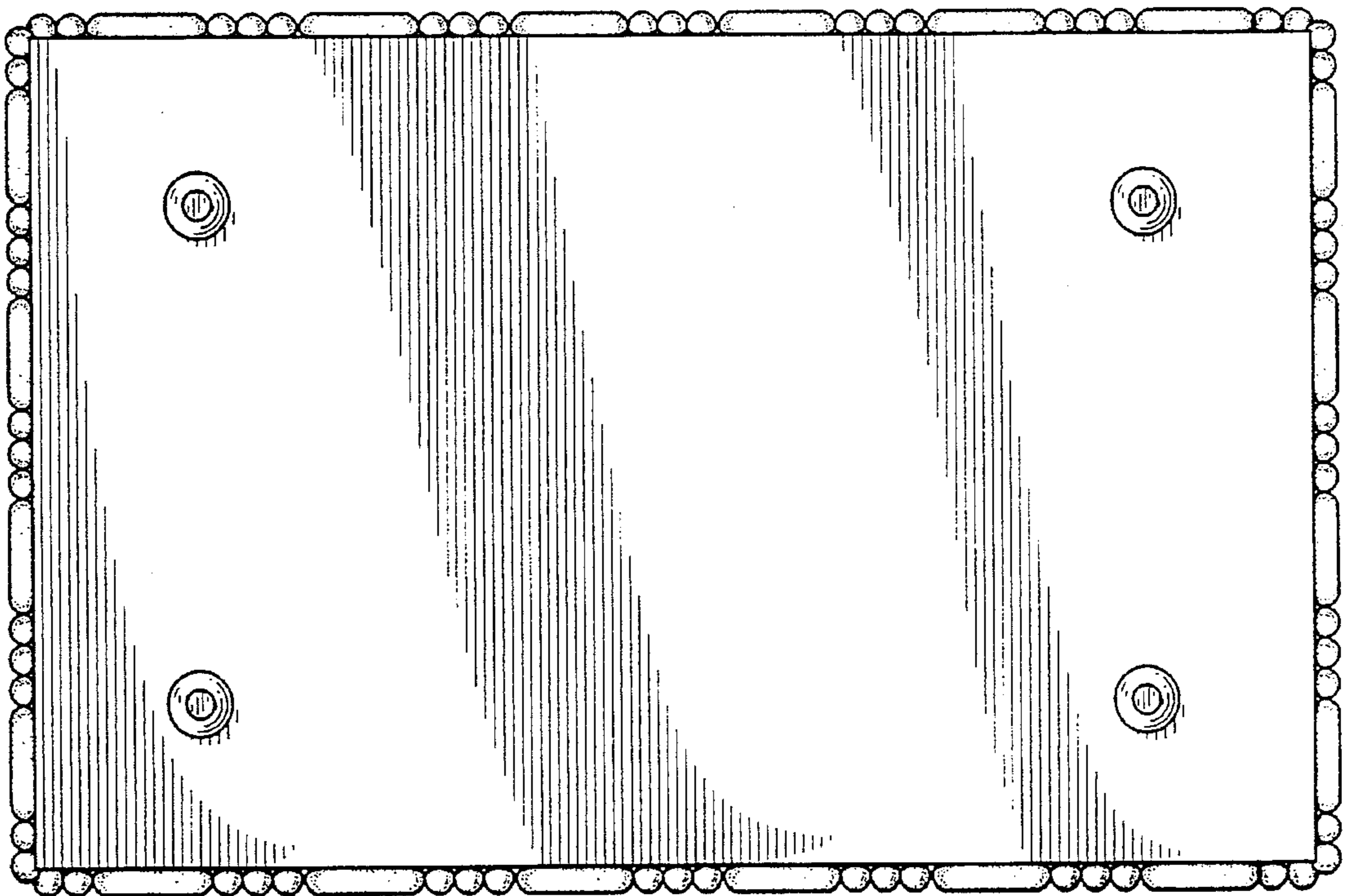


Fig. 6