



US00D365756S

United States Patent [19]

[11] Patent Number: **Des. 365,756**

Rask et al.

[45] Date of Patent: ****Jan. 2, 1996**

[54] LID FOR A CONTAINER

[75] Inventors: **Janne H. Rask**, Bredsten; **Søren X. Frahm**, Århus, both of Denmark

[73] Assignee: **INTERLEGO AG**, Baar, Switzerland

[**] Term: **14 Years**

[21] Appl. No.: **13,268**

[22] Filed: **Sep. 22, 1993**

[52] U.S. Cl. **D9/435**; D21/108

[58] Field of Search D9/434-435, 441, D9/444, 499; D21/108; 190/1, 10-11; 206/503-504, 508, 518; 211/126; 229/902; 446/128

[56] References Cited

U.S. PATENT DOCUMENTS

D. 279,697	7/1985	Tapdrup	D21/108
D. 295,093	4/1988	Tapdrup et al. .	
D. 295,094	4/1988	Tapdrup et al. .	
D. 296,023	4/1988	Tapdrup et al. .	
D. 326,876	6/1992	Rasmussen	D21/108
D. 327,185	6/1992	Ryaa	D21/108
D. 332,471	1/1993	Rahbek	D21/108
D. 344,552	2/1994	Berggren	D21/108
D. 345,398	3/1994	Plagborg	D21/108
2,784,901	3/1957	Wilcox	229/902
3,005,282	10/1961	Christiansen	446/128
4,744,780	5/1988	Volpe	446/128

FOREIGN PATENT DOCUMENTS

1117396 8/1989 Japan .

OTHER PUBLICATIONS

Tyco Preschool Super Blocks ad, Tyco Toy Catalog, 1987, p. 21.

Tyco Road Builder ad, Tyco Toy Catalog, 1987, p. 33. Industrial Design Registration Number 59668 for a "Bucket" which was registered on Nov. 17, 1987.

Primary Examiner—Alan P. Douglas

Assistant Examiner—Robert M. Spear

Attorney, Agent, or Firm—Kane, Dalsimer, Sullivan, Kurucz, Levy, Eisele and Richard

[57] CLAIM

The ornamental design for a lid for a container, as shown and described.

DESCRIPTION

FIG. 1 is a top perspective view of the lid for a container showing our new design;

FIG. 2 is a bottom perspective view thereof;

FIG. 3 is a right side elevational view thereof;

FIG. 4 is a front elevational view thereof;

FIG. 5 is a left side elevational view thereof;

FIG. 6 is a rear elevational view thereof;

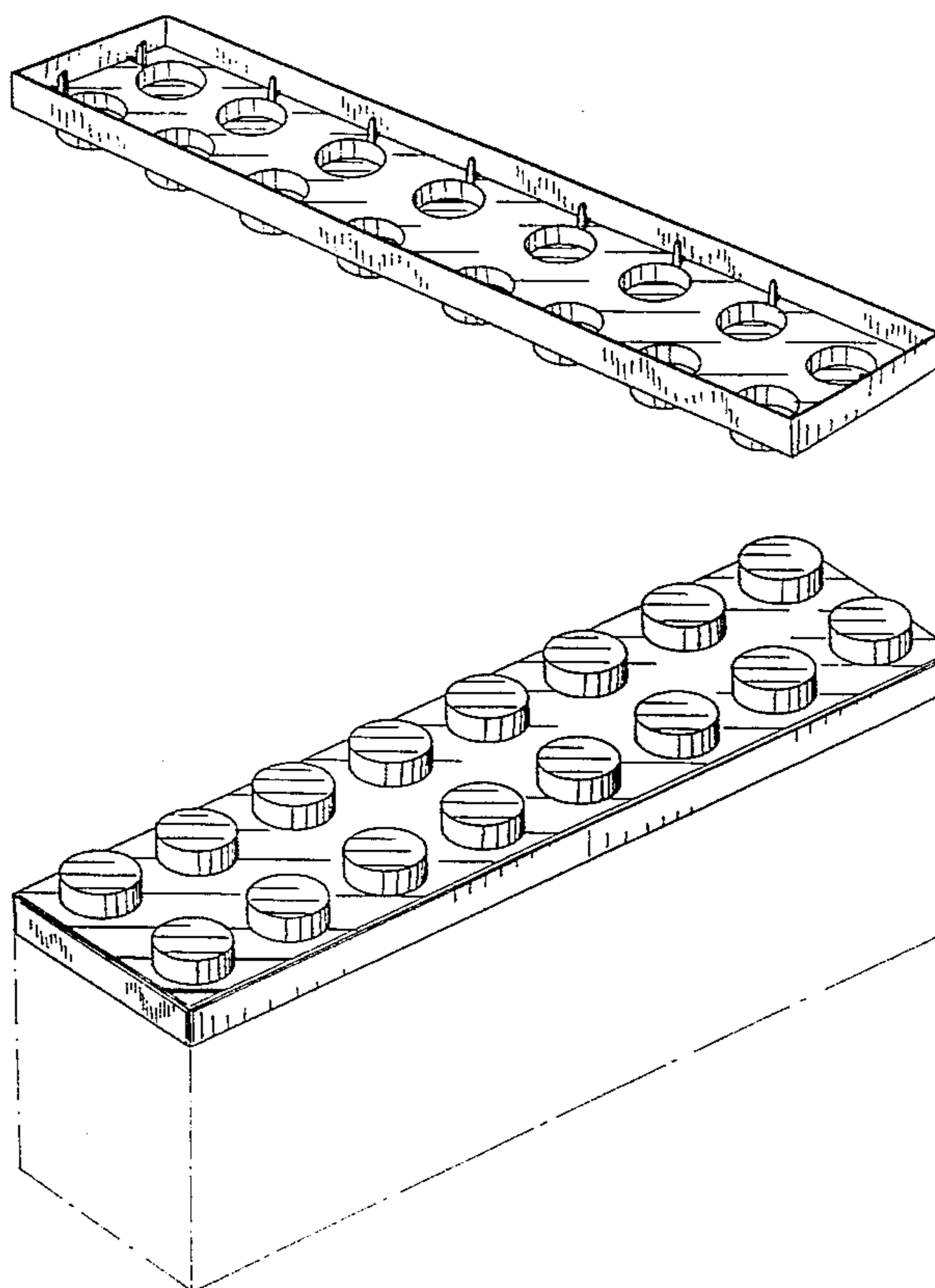
FIG. 7 is a top plan view thereof;

FIG. 8 is a bottom plan view thereof;

FIG. 9 shows a perspective view of the lid mounted on a container shown in dotted lines.

The broken line showing of a container is for illustrative purposes only and forms no part of the claimed design.

1 Claim, 3 Drawing Sheets



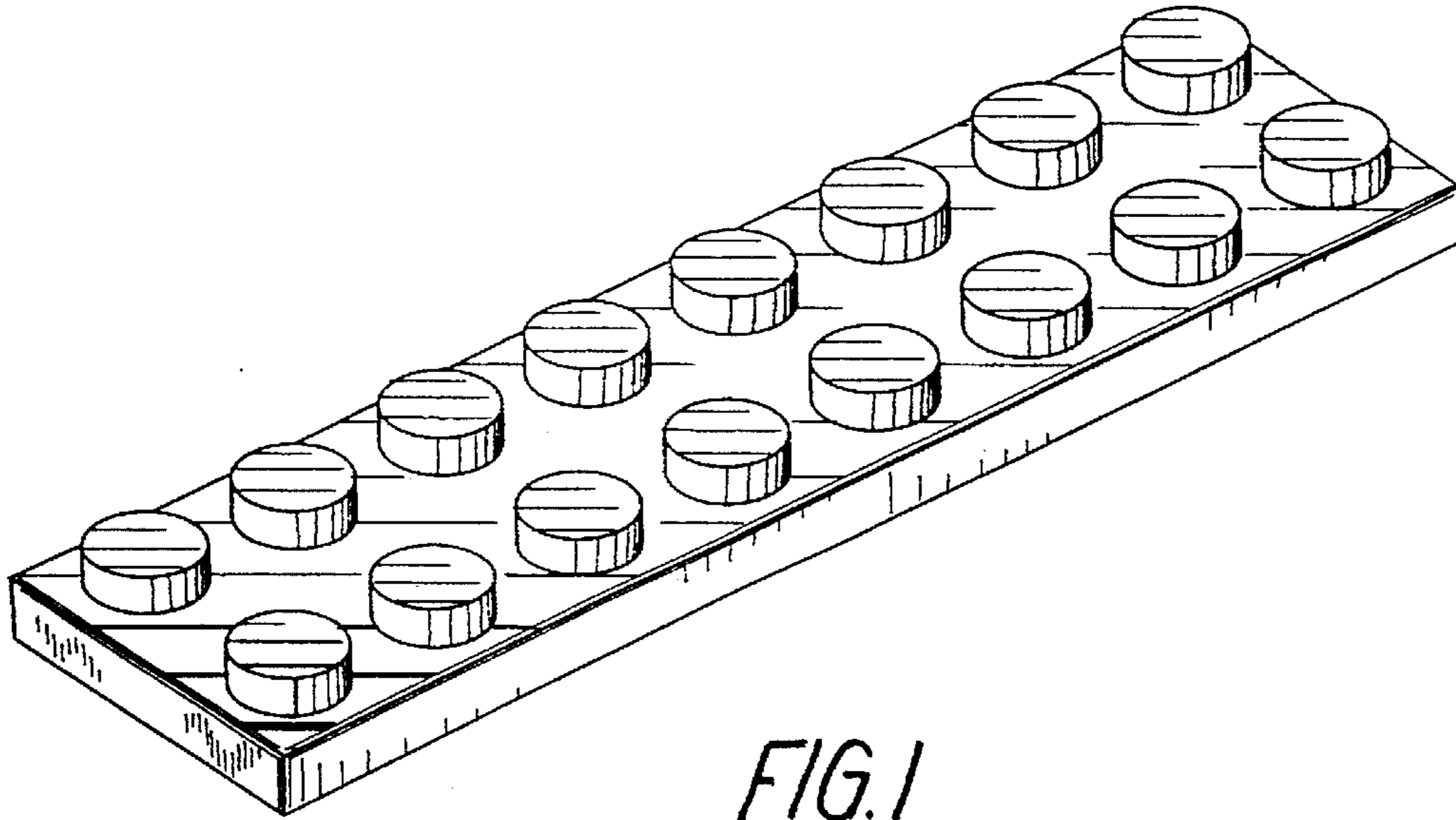


FIG. 1

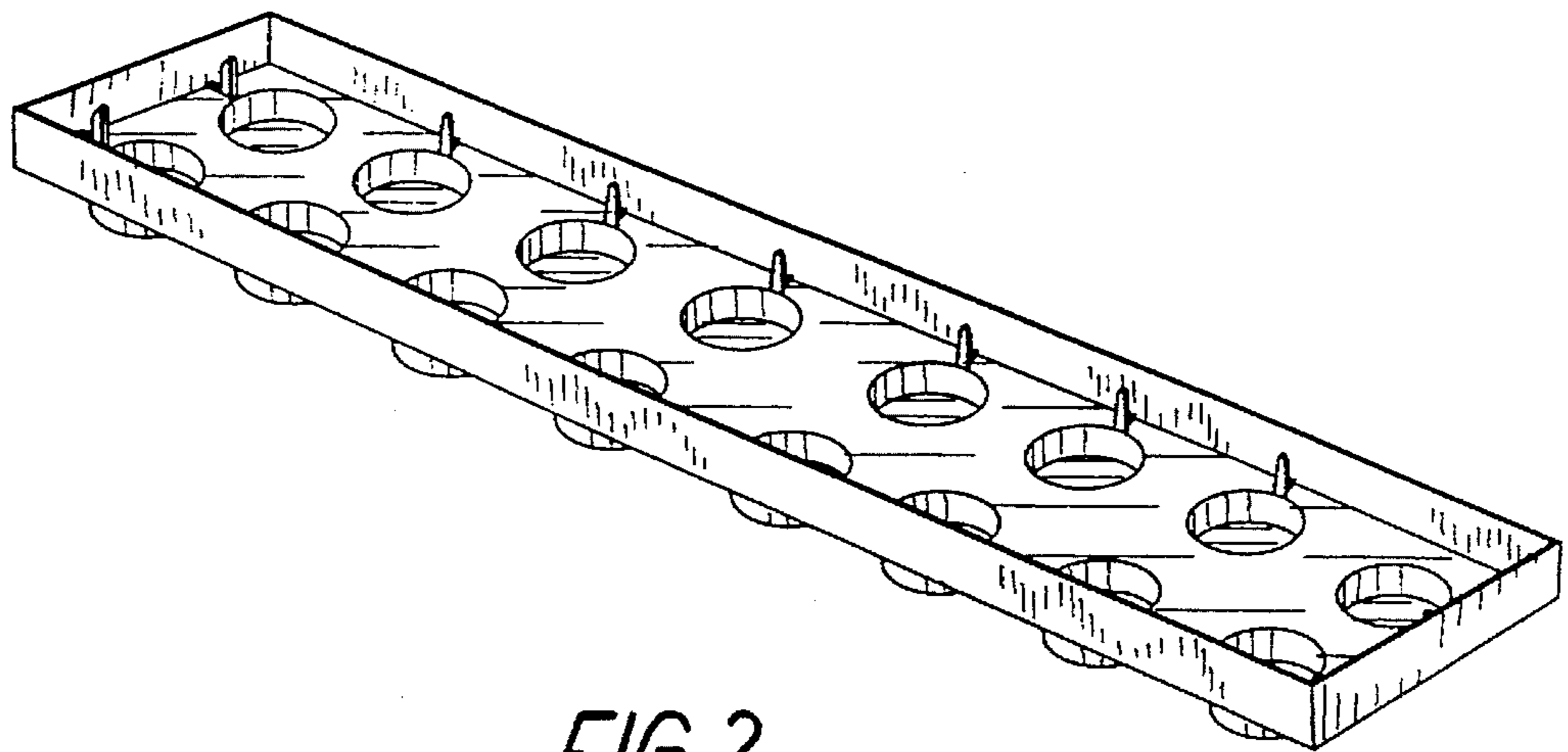


FIG. 2

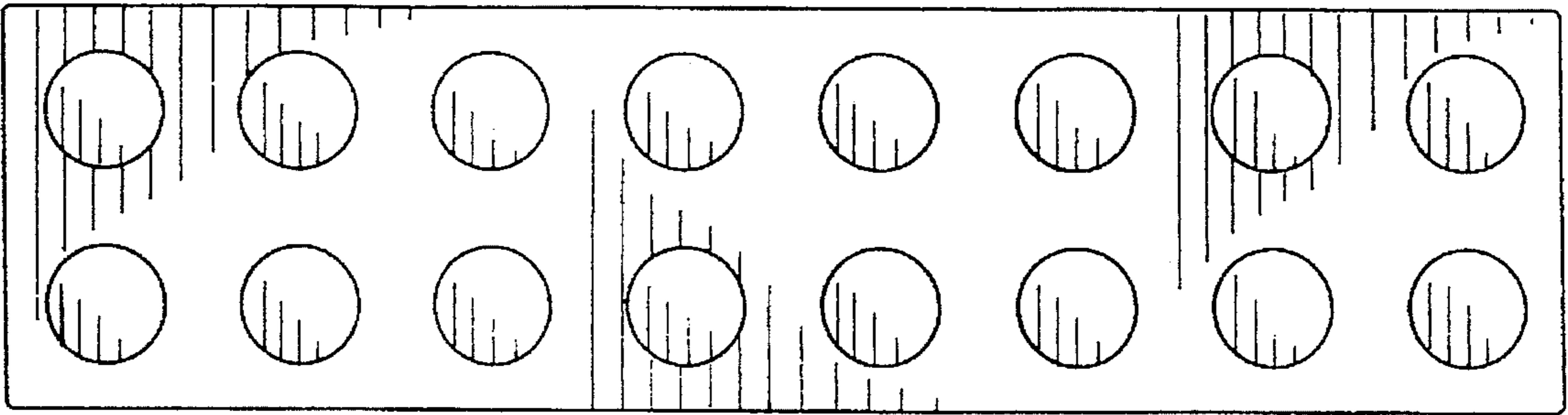


FIG. 7



FIG. 3

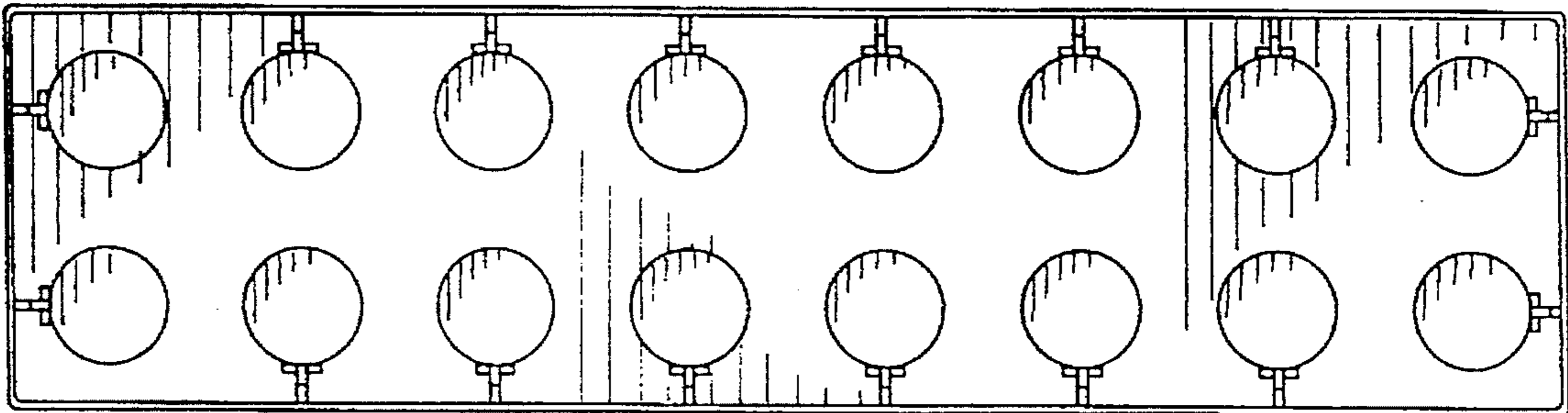


FIG. 8



FIG. 5



FIG. 6



FIG. 4

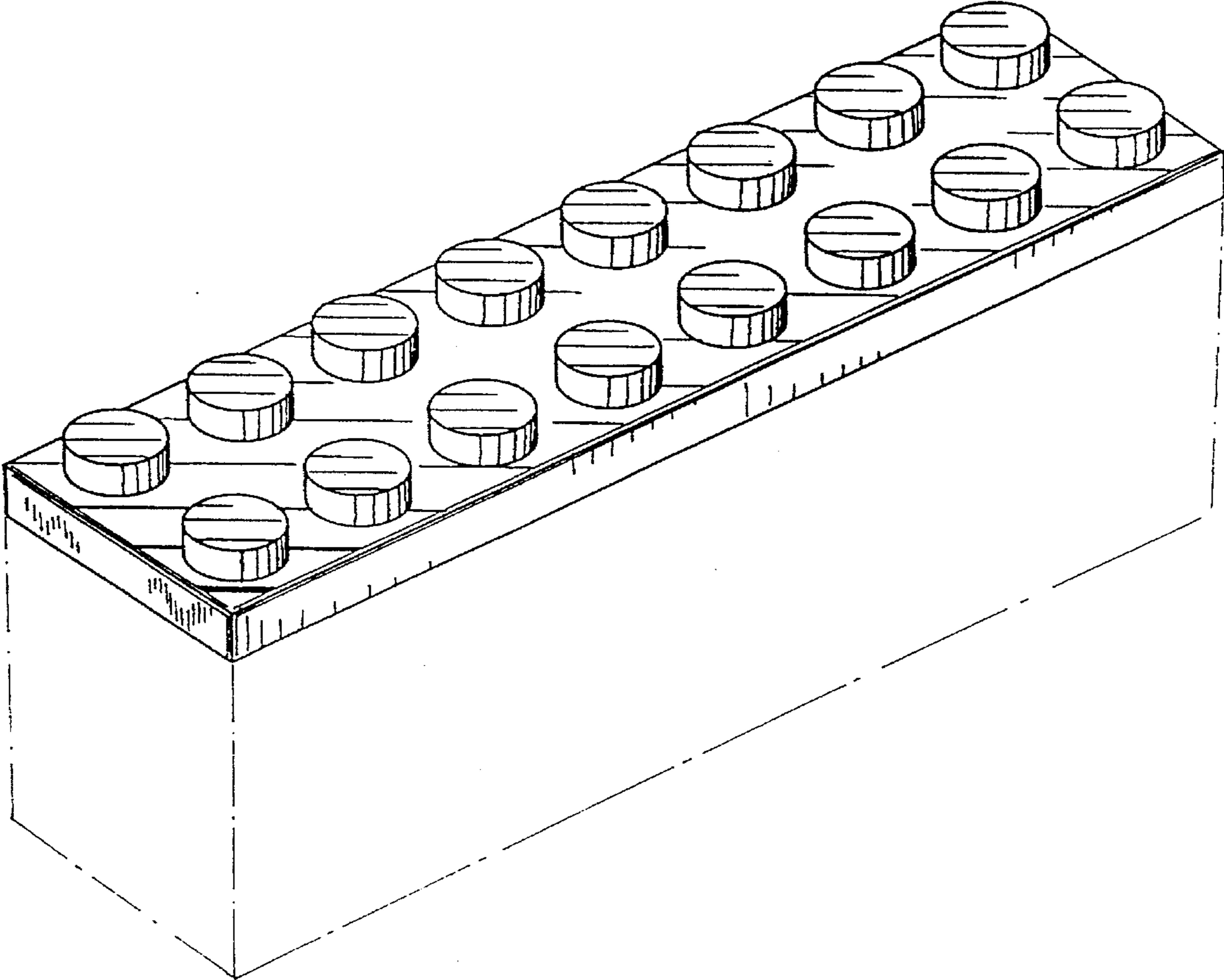


FIG. 9