



US00D365747S

**United States Patent** [19]  
**Grande**

[11] **Patent Number: Des. 365,747**

[45] **Date of Patent: \*\*Jan. 2, 1996**

[54] **TWO GANG JACK COVER**

4,757,168 7/1988 Fujiyoshi et al. .... 174/66 X

5,041,698 8/1991 Takagi et al. .... 174/66

5,067,907 11/1991 Shotey ..... 174/66 X

[75] Inventor: **Frank A. Grande**, Highland Beach, Fla.

*Primary Examiner*—Ted Shooman  
*Assistant Examiner*—Paula Mortimer  
*Attorney, Agent, or Firm*—Weingram & Zall

[73] Assignee: **Hose-McCann Telephone Co., Inc.**, Deerfield Beach, Fla.

[\*\*] Term: **14 Years**

[57] **CLAIM**

[21] Appl. No.: **26,254**

The ornamental design for two gang jack cover, as shown and described.

[22] Filed: **Jul. 22, 1994**

**DESCRIPTION**

[52] U.S. Cl. .... **D8/353**

[58] Field of Search ..... D8/350, 353; D13/177, D13/156; 174/66; 220/241

FIG. 1 is a top perspective view of a two gang jack cover showing my new design;

FIG. 2 is a bottom plan view;

FIG. 3 is a side elevational view thereof, the opposite side is a mirror image; and,

FIG. 4 is an end elevational view, the opposite end is a mirror image.

[56] **References Cited**

**U.S. PATENT DOCUMENTS**

1,633,668 6/1927 Ile ..... 174/66 X

2,749,381 6/1956 Farish, Jr. .... 174/66 X

4,340,772 7/1982 Bose ..... 174/66 X

**1 Claim, 2 Drawing Sheets**

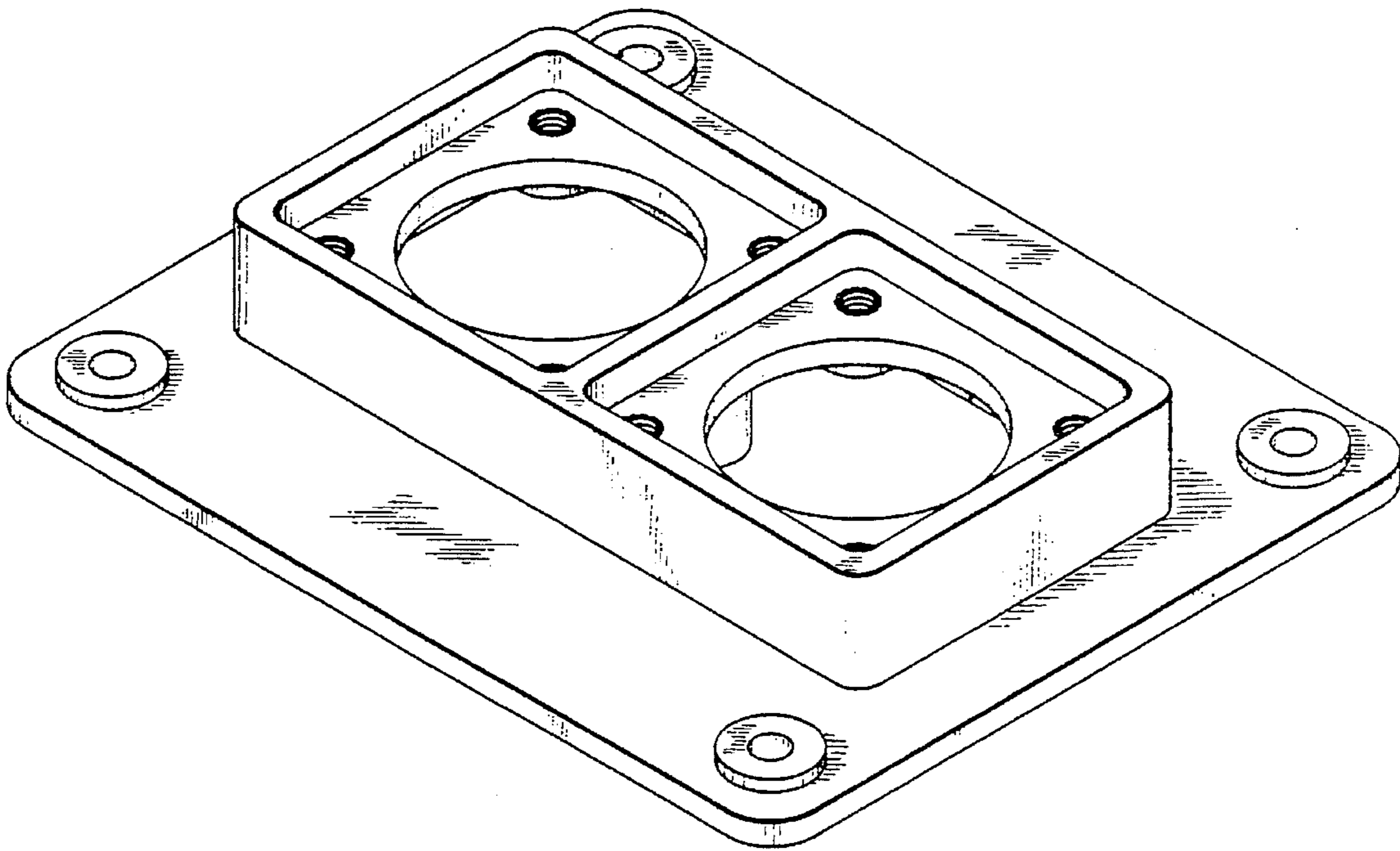


FIG. 1

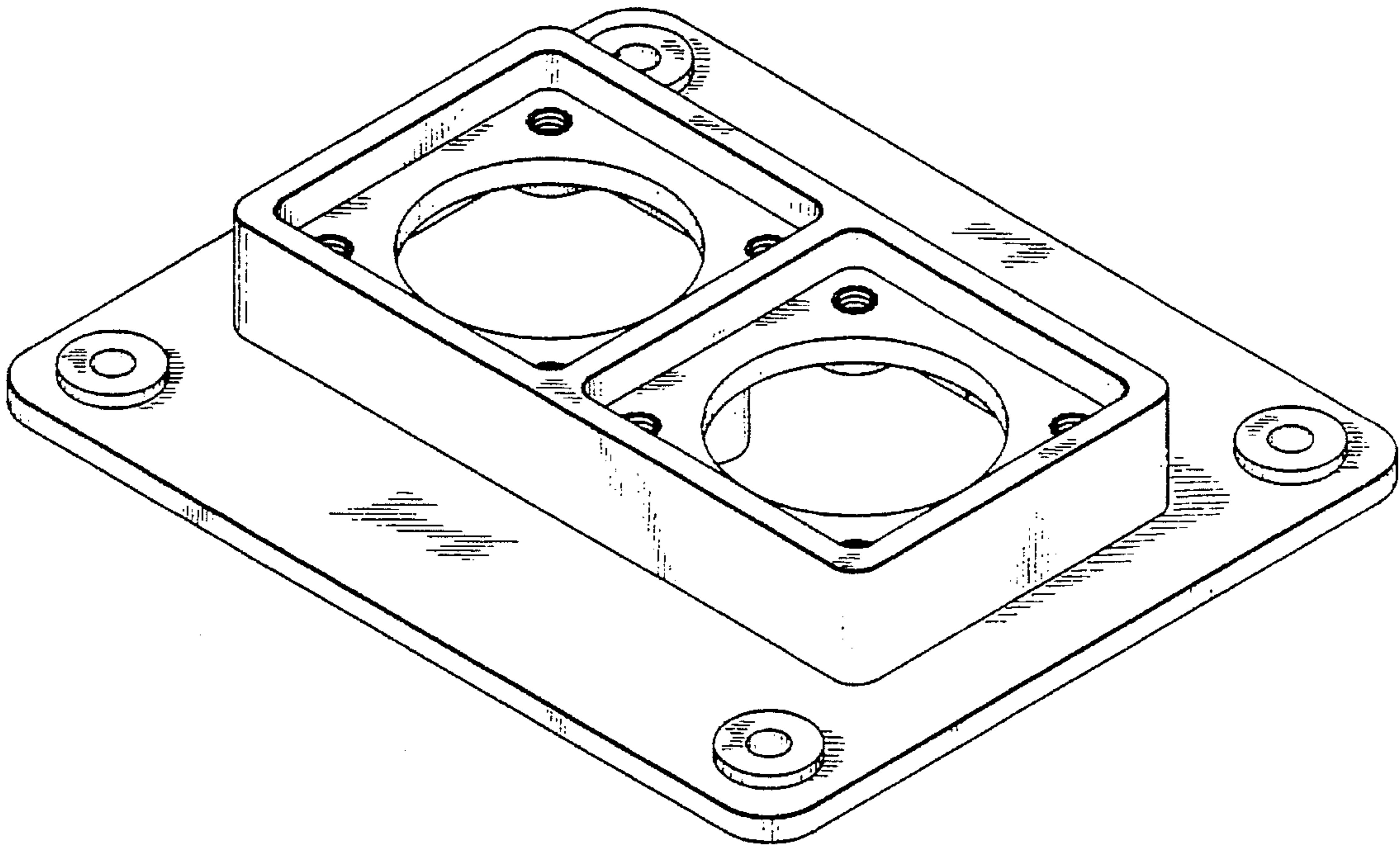


FIG. 3

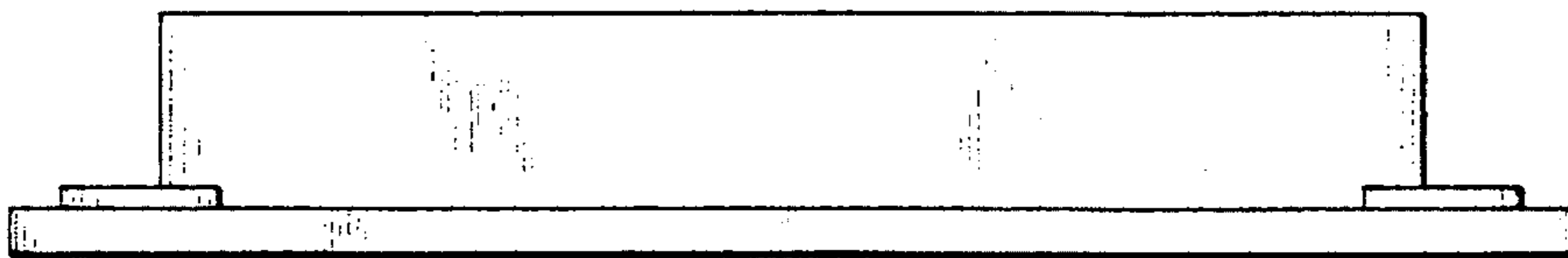


FIG. 2

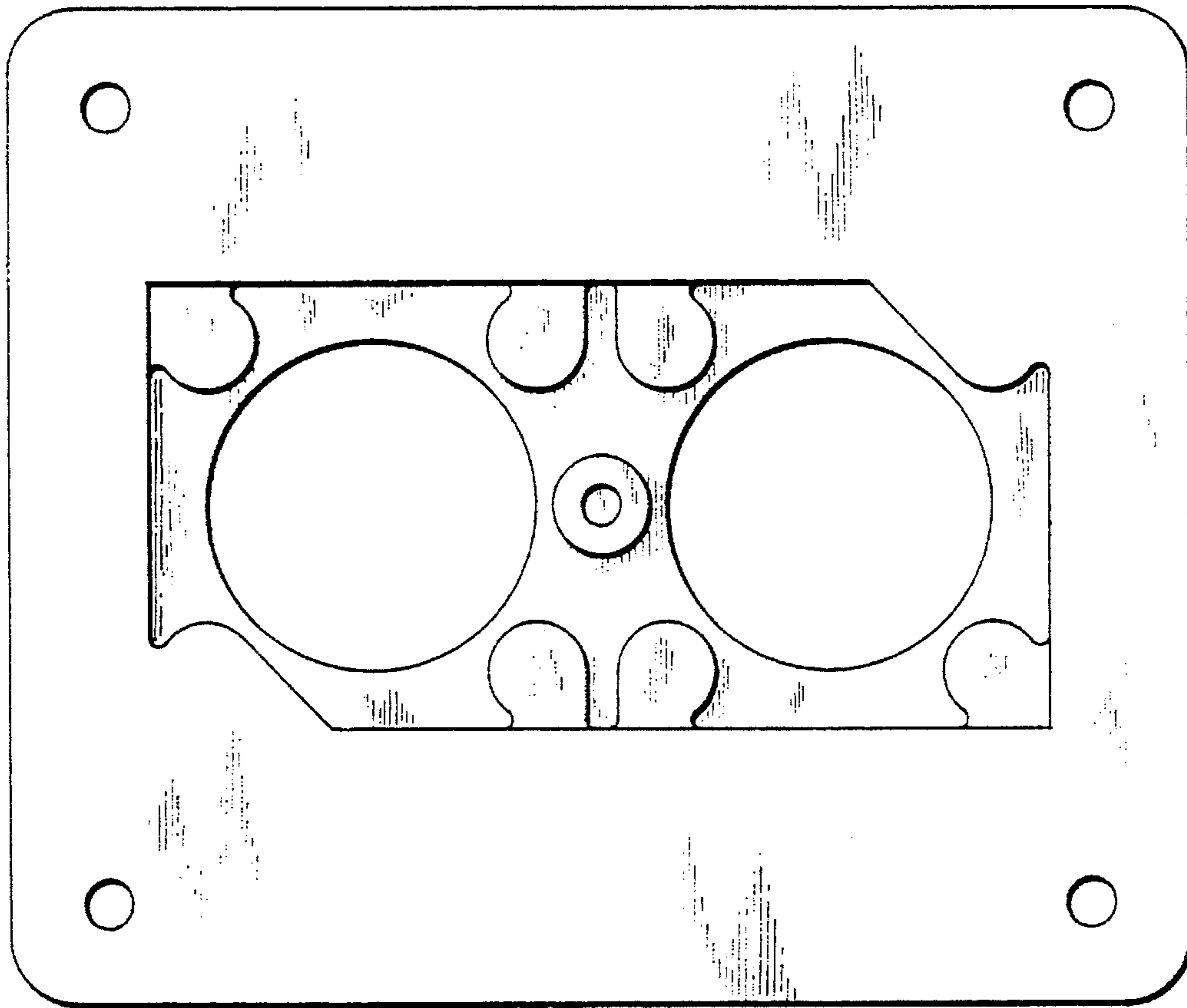


FIG. 4

