



US00D365746S

United States Patent [19]

Chudoba et al.

[11] Patent Number: **Des. 365,746**

[45] Date of Patent: ****Jan. 2, 1996**

[54] **COMBINED PROFILE SECTION AND SPRING NUT**

3,513,606 5/1970 Jones 248/245 X
3,848,844 11/1974 Barrett 248/245
4,226,394 10/1980 Einhorn 248/225.2 X

[76] Inventors: **Josef Chudoba**, Jarnlundsvagen 2, Johanneshov, Sweden, 121 72;
Sven-Erik Kaufeldt, Bjornskogsgrand 9, Vallingby, Sweden, 162 46

Primary Examiner—A. Hugo Word
Assistant Examiner—Holly Baynham
Attorney, Agent, or Firm—Jacobson, Price, Holman & Stern

[**] Term: **14 Years**

[57] **CLAIM**

[21] Appl. No.: **7,786**

The ornamental design for a combined profile section and spring nut, as shown and described.

[22] Filed: **May 3, 1993**

DESCRIPTION

[30] **Foreign Application Priority Data**

FIG. 1 is a top, side perspective view of a combined profile section and spring nut showing our new design;
FIG. 2 is a top, opposite side perspective view of the profile section with the spring nut removed;
FIG. 3 is a bottom opposite side perspective view thereof;
FIG. 4 is a perspective view of the profile section, according to FIG. 3, from the opposite direction;
FIG. 5 is a top perspective view of the spring nut shown separately for clarity of illustration; and,
FIG. 6 is a bottom perspective view of the spring nut.
The spring nut is shown removed from the profile section in FIGS. 2, 3 and 4 of the drawings for clarity of illustration.

Nov. 4, 1992 [SE] Sweden 92-2315

[52] U.S. Cl. **D8/349**; D25/125; D25/124

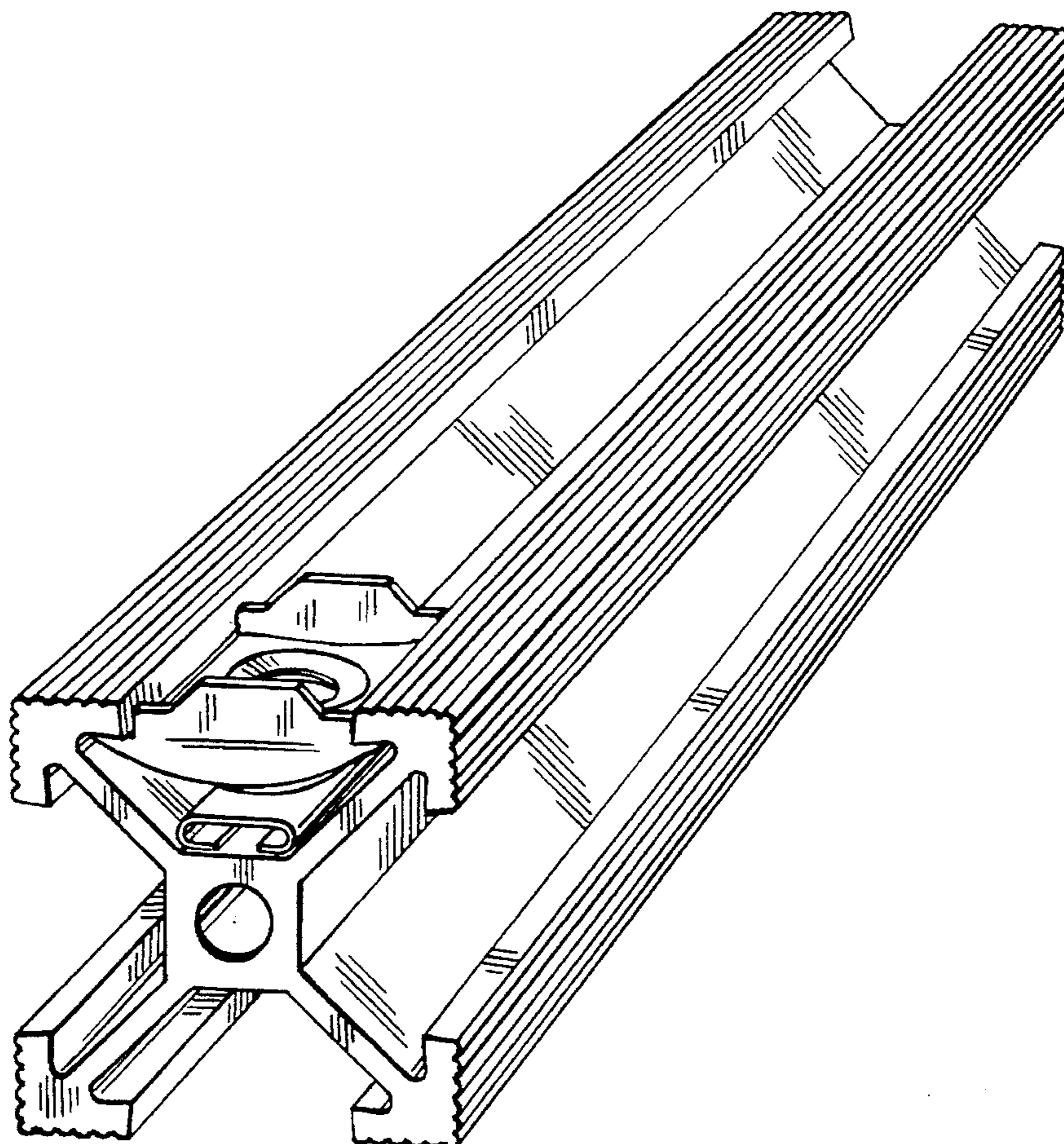
[58] Field of Search D8/373, 380, 349, D8/354; D25/113, 119, 124, 125; 312/223.1; 381/825, 828-829; 248/245, 225.2, 225.1, 243; D34/35

[56] **References Cited**

U.S. PATENT DOCUMENTS

2,940,718 6/1960 Beal 248/245
3,186,561 6/1965 Strassle 248/243 X

1 Claim, 2 Drawing Sheets



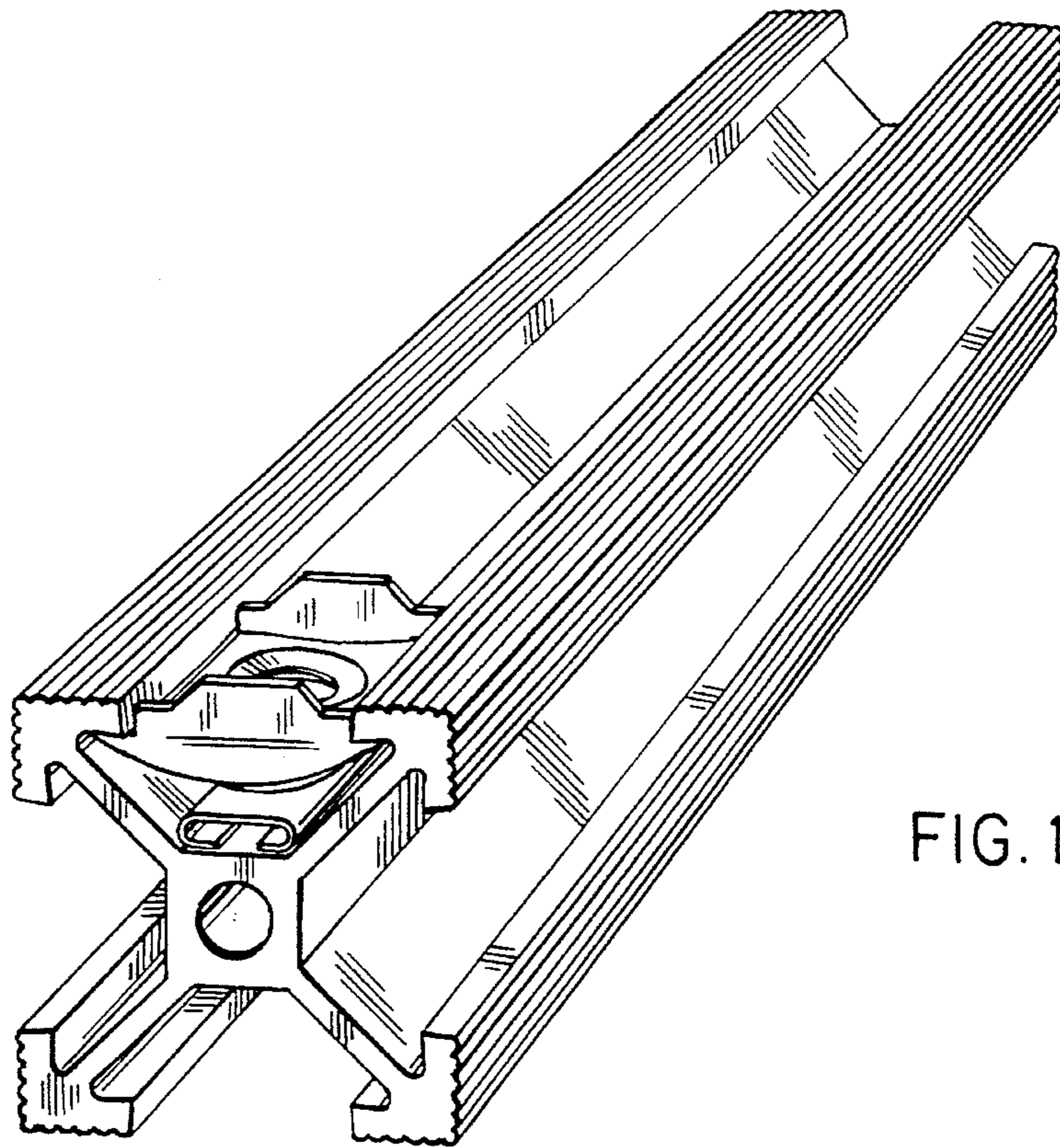


FIG. 1

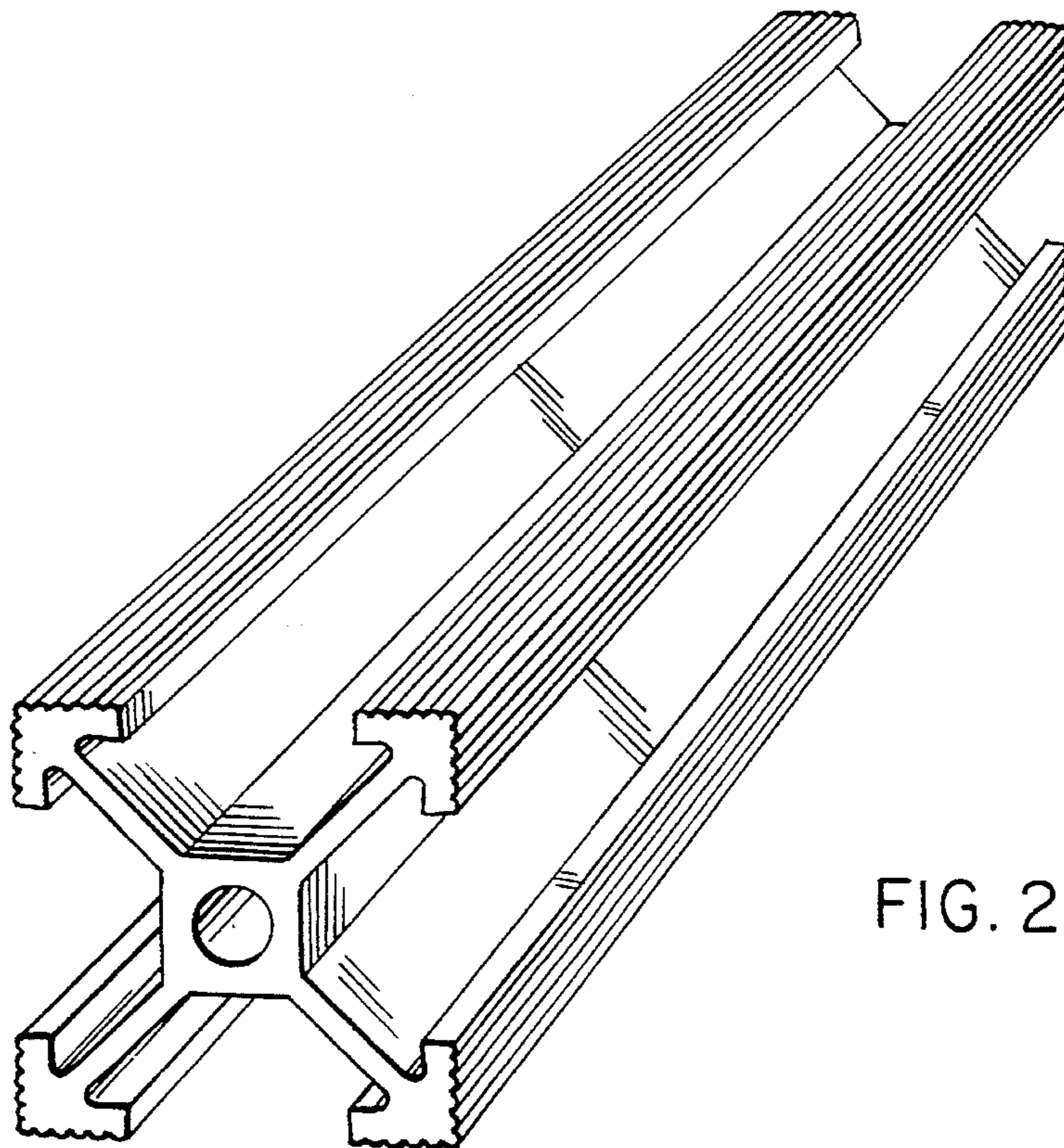


FIG. 2

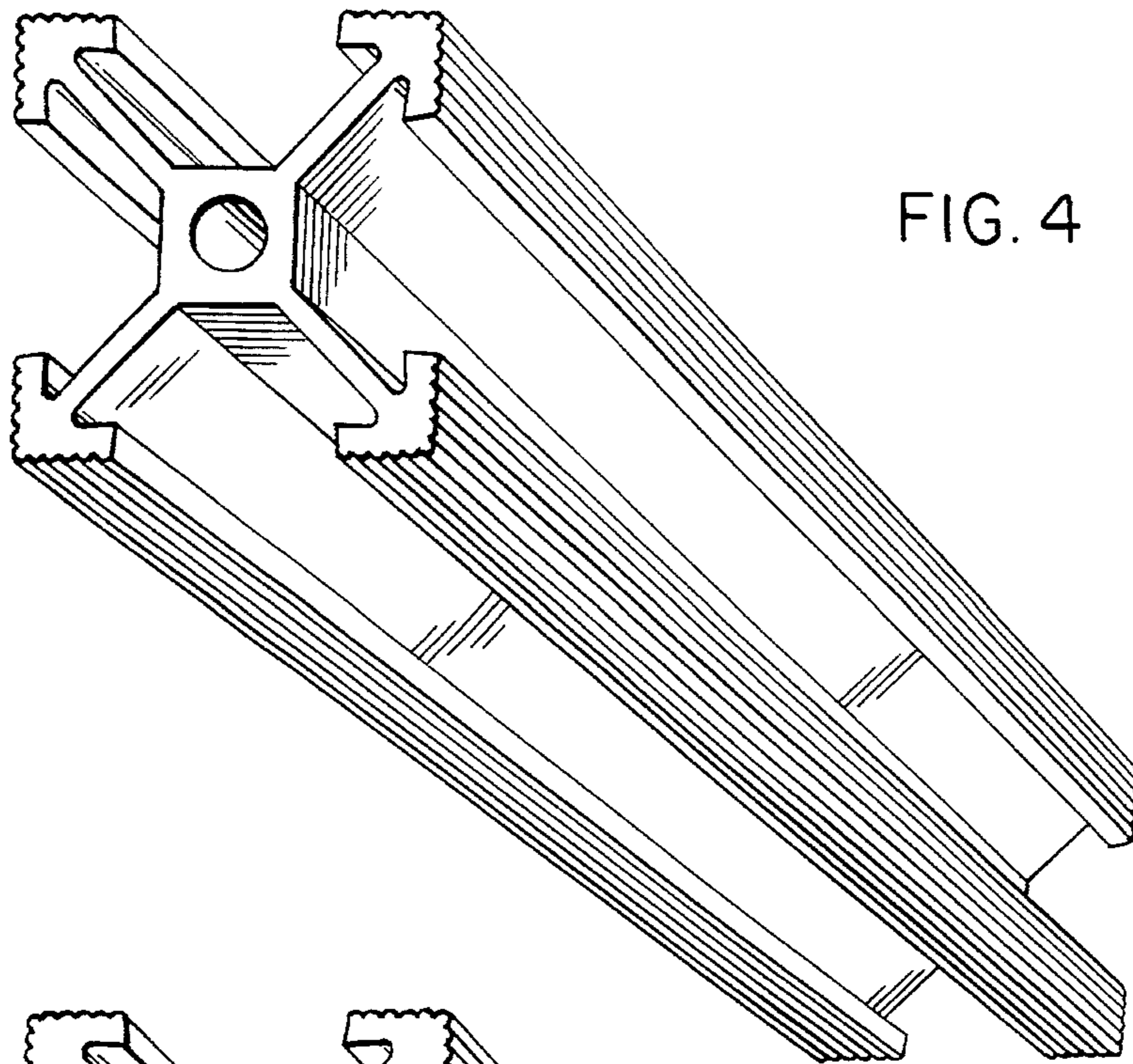


FIG. 4

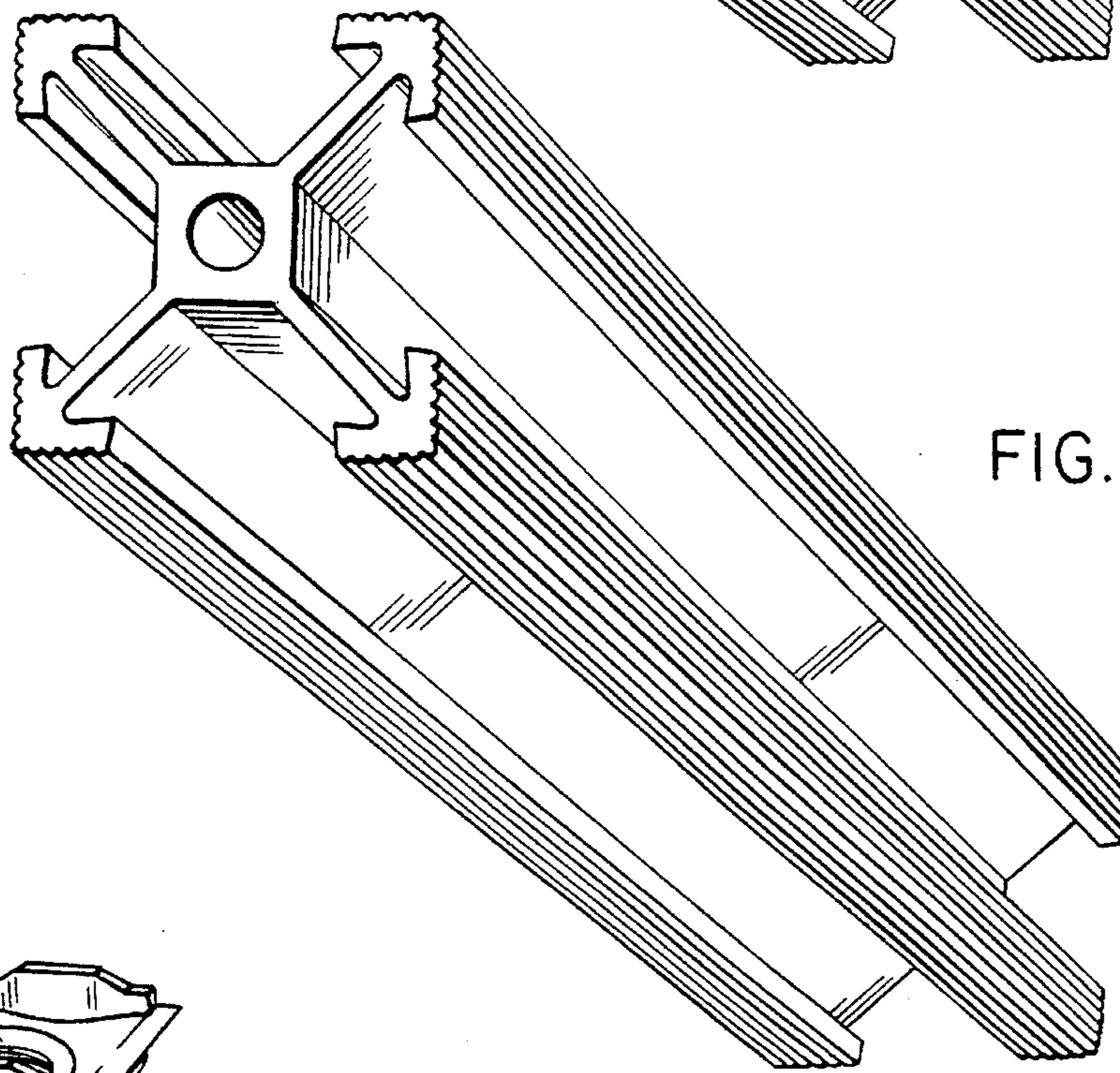


FIG. 3

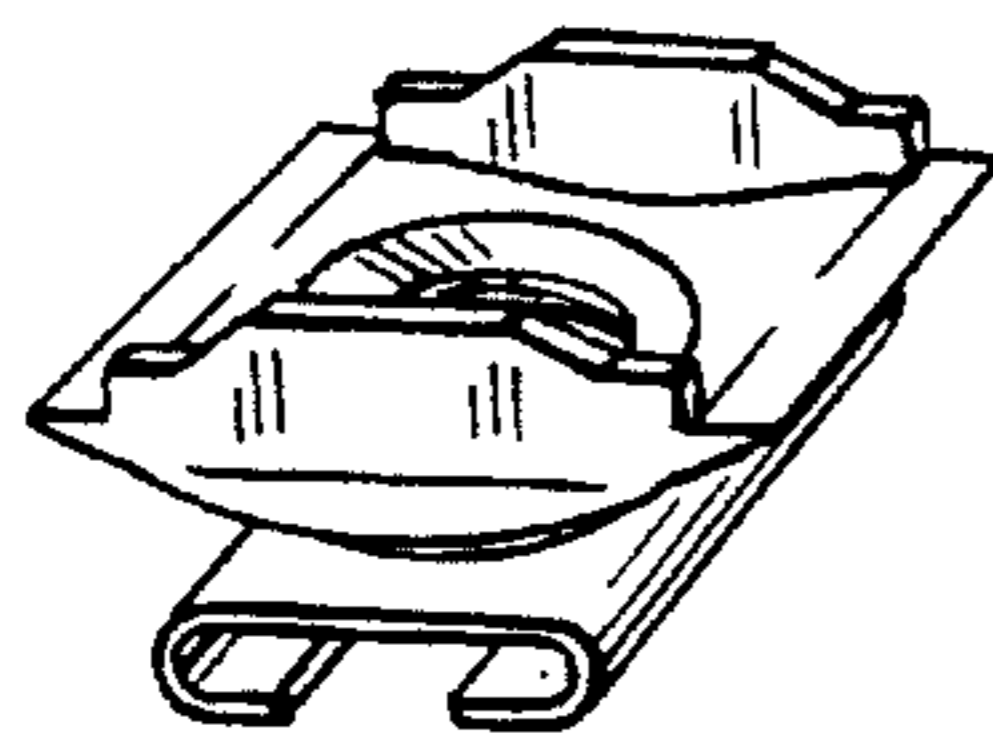


FIG. 5

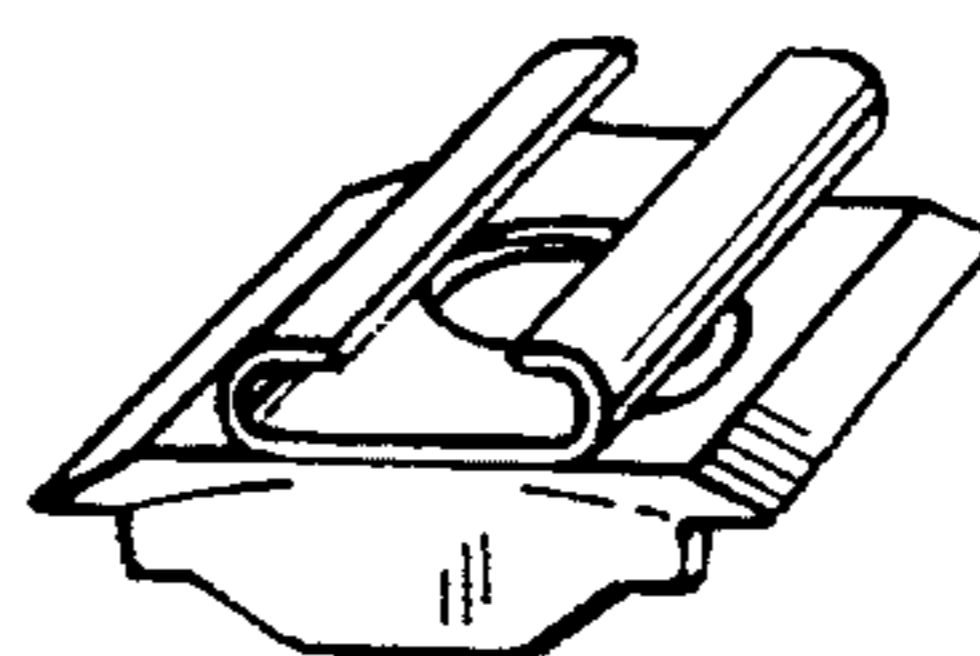


FIG. 6