



US00D365743S

United States Patent [19]

[11] Patent Number: **Des. 365,743**

Decursu et al.

[45] Date of Patent: ****Jan. 2, 1996**

[54] **KNOB**

[75] Inventors: **Giorgio Decursu; Alberto Bertani,**
both of Milan, Italy

[73] Assignee: **Elesa S.p.A.,** Milan, Italy

[**] Term: **14 Years**

[21] Appl. No.: **29,287**

[22] Filed: **Oct. 3, 1994**

[30] Foreign Application Priority Data

Apr. 5, 1994 [XH] Hague Agreement DM/029 270

[52] U.S. Cl. **D8/312**

[58] Field of Search D8/300, 307, 310,
D8/312; D23/250, 254; 16/110 R, 121

[56] References Cited

U.S. PATENT DOCUMENTS

D. 45,227	2/1914	Glauber	D23/250
D. 197,986	4/1964	Schlage	D8/312
D. 217,431	5/1970	Russell	D8/307
D. 261,223	10/1981	Scholl	D8/310
D. 276,746	12/1984	Hill et al.	D8/310
D. 291,053	7/1987	Decursu	D8/310
D. 327,834	7/1992	Reid	D23/250

OTHER PUBLICATIONS

Jaybee Solid Brass Collection; p. 9; Knob B813-03-01.
Standards ELESA Catalogue 121-ENG, Model No. IZP., p. 97.

Standards ELESA Catalogue 121-ENG, Model No. IZP+K, p. 98.

Standards ELESA Catalogue 121-ENG, Model No. IZP,+GS, p. 99.

Standards ELESA Catalogue 121-ENG, Model No. IZN.380, p. 100.

Standards ELESA Catalogue 121-ENG, Model No. IZN.380+FGS, p. 101.

Standards ELESA Catalogue 121-ENG, Model No. IZN.380+K, p. 102.

Primary Examiner—B. J. Bullock
Attorney, Agent, or Firm—Pearne, Gordon, McCoy & Granger

[57] CLAIM

The ornamental design for a knob, as shown and described.

DESCRIPTION

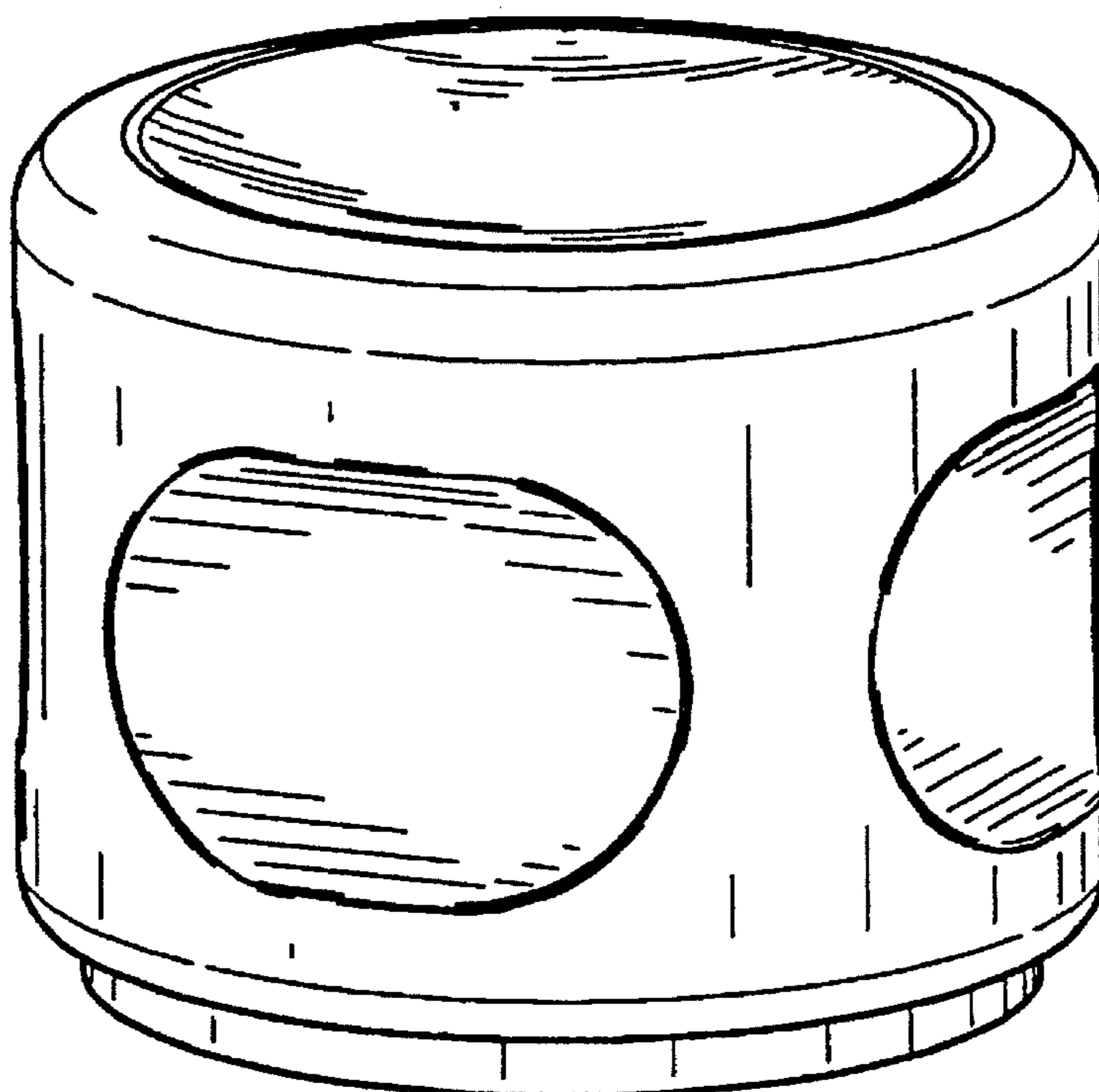
FIG. 1 is a perspective view of a knob, showing our new design;

FIG. 2 is a front side elevational view thereof, the rear, right and left side elevational views being identical;

FIG. 3 is a top plan view thereof; and,

FIG. 4 is a bottom plan view thereof.

1 Claim, 1 Drawing Sheet



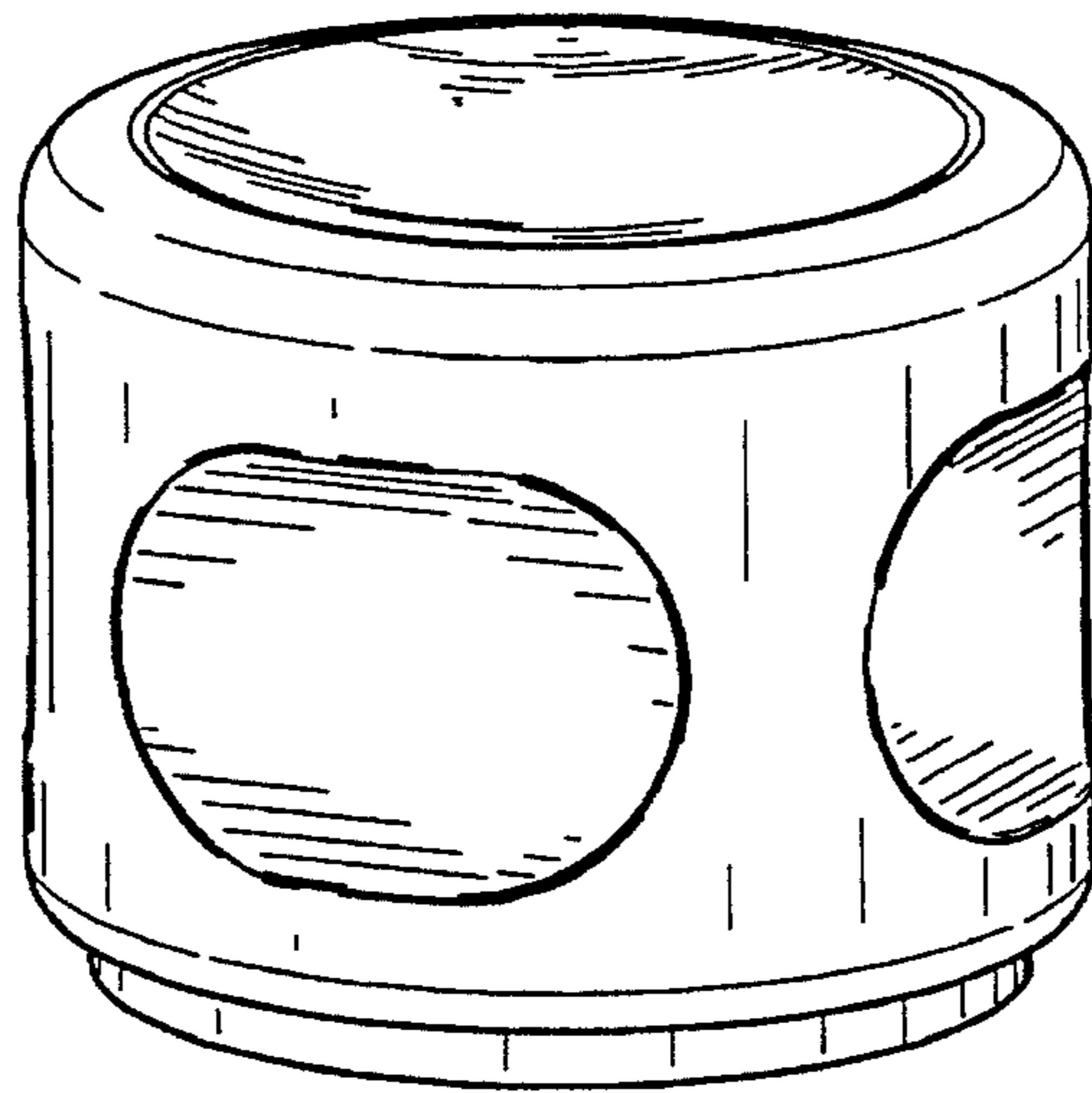


Fig.1

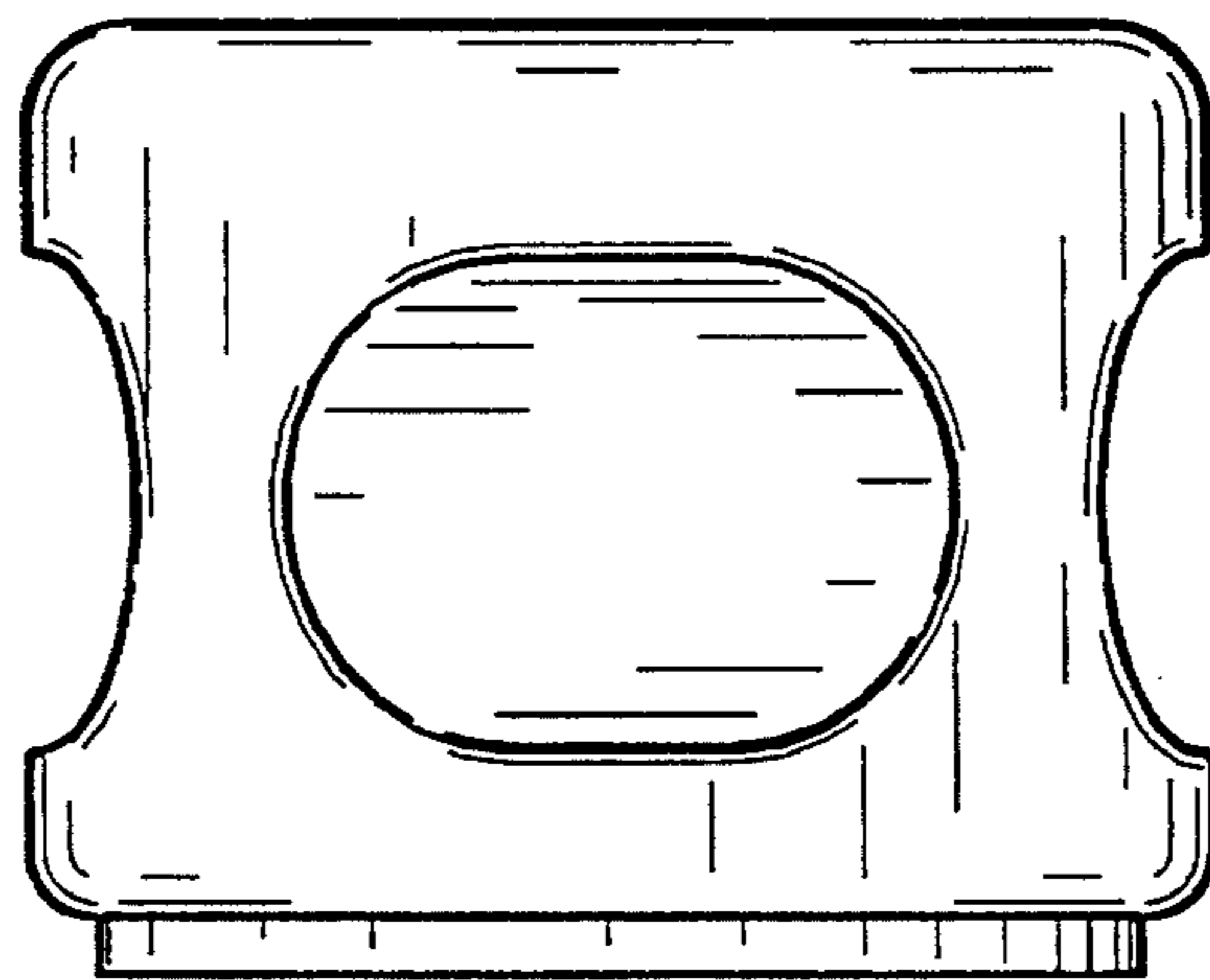


Fig.2

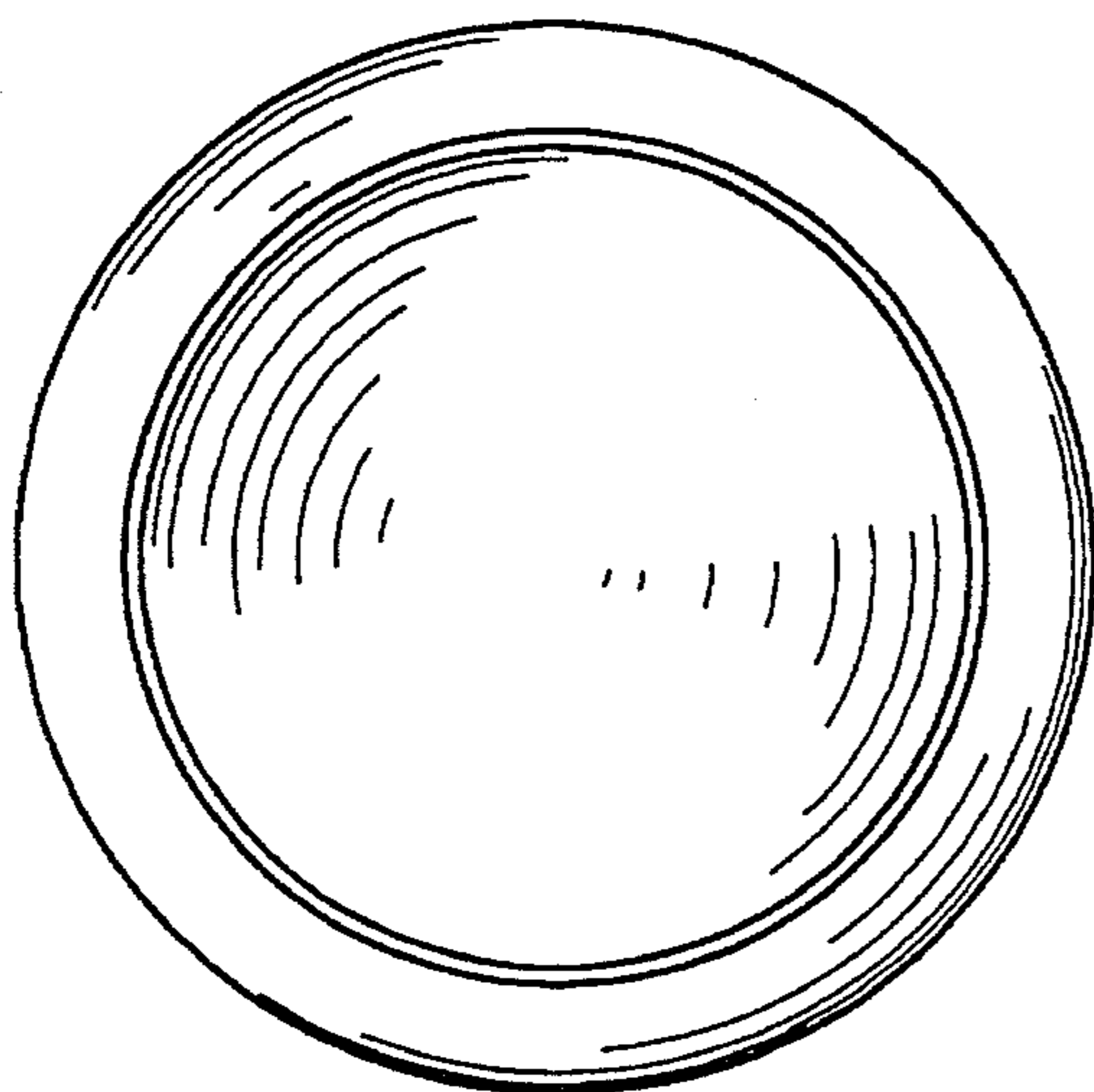


Fig.3

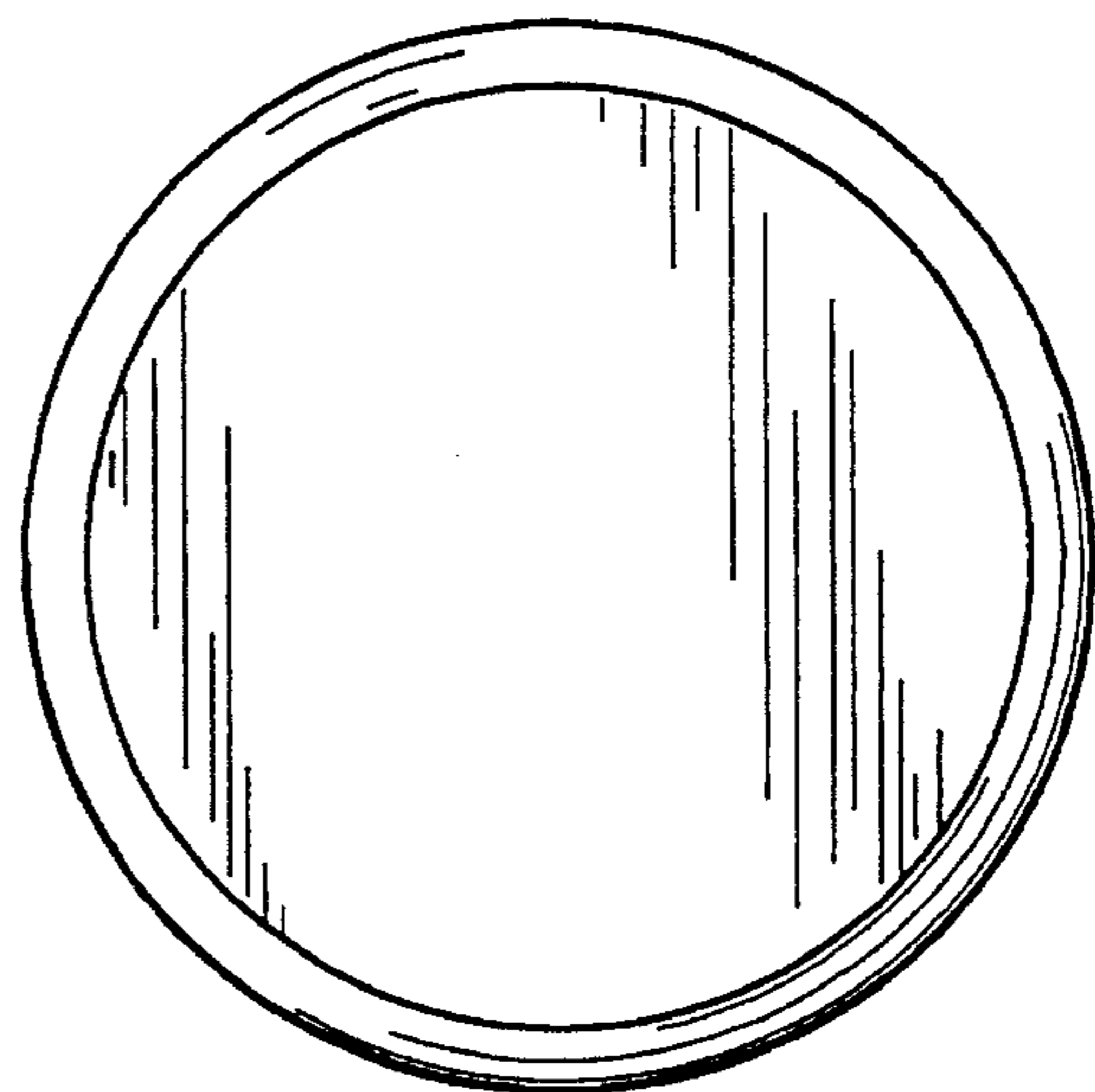


Fig.4