



US00D365738S

United States Patent [19]
Lee

[11] **Patent Number: Des. 365,738**
[45] **Date of Patent: **Jan. 2, 1996**

[54] **CORKSCREW** 4,727,779 3/1988 Lee 81/3.37
5,361,652 11/1994 Andina 81/3.29

[76] Inventor: **Ming-Hsiang Lee**, No. 4, Lane 263,
Sec. 2, Chien-Kong Rd., Tainan City,
Taiwan

[**] Term: **14 Years**

[21] Appl. No.: **31,976**

[22] Filed: **Dec. 9, 1994**

[30] **Foreign Application Priority Data**

Nov. 11, 1994 [TW] Taiwan 83309357

[52] **U.S. Cl.** **D8/42**

[58] **Field of Search** D8/18, 33-34,
D8/38, 40, 41-43; 7/155, 156; 81/3.29,
3.36, 3.47, 3.48, 3.37

[56] **References Cited**

U.S. PATENT DOCUMENTS

38,147 4/1863 Chinnock 81/3.29
D. 335,072 4/1993 Gourhant D8/42
D. 351,771 10/1994 Carranza D8/42
D. 359,213 6/1995 Entwistle D8/42
4,063,473 12/1977 Bosso 81/3.37

OTHER PUBLICATIONS

Corkscrews for Collectors, 1981 p. 54.

Primary Examiner—Ted Shooman
Assistant Examiner—Adir Aronovich
Attorney, Agent, or Firm—Townsend and Townsend and
Crew

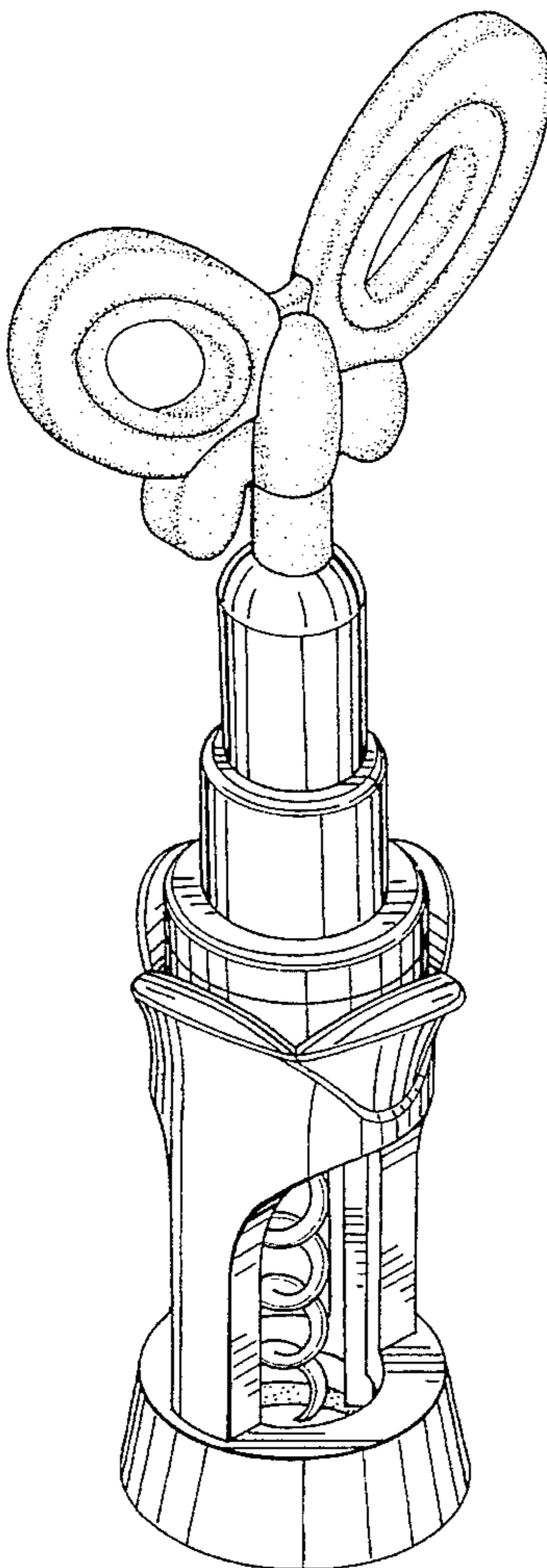
[57] **CLAIM**

The ornamental design for corkscrew, as shown and
described.

DESCRIPTION

FIG. 1 is a perspective view of corkscrew showing my new
design;
FIG. 2 is a front elevational view thereof, the rear elevational
view being identical;
FIG. 3 is a left side elevational view thereof, the right side
view being identical;
FIG. 4 is a top plan view thereof; and,
FIG. 5 is a bottom plan view thereof.

1 Claim, 4 Drawing Sheets



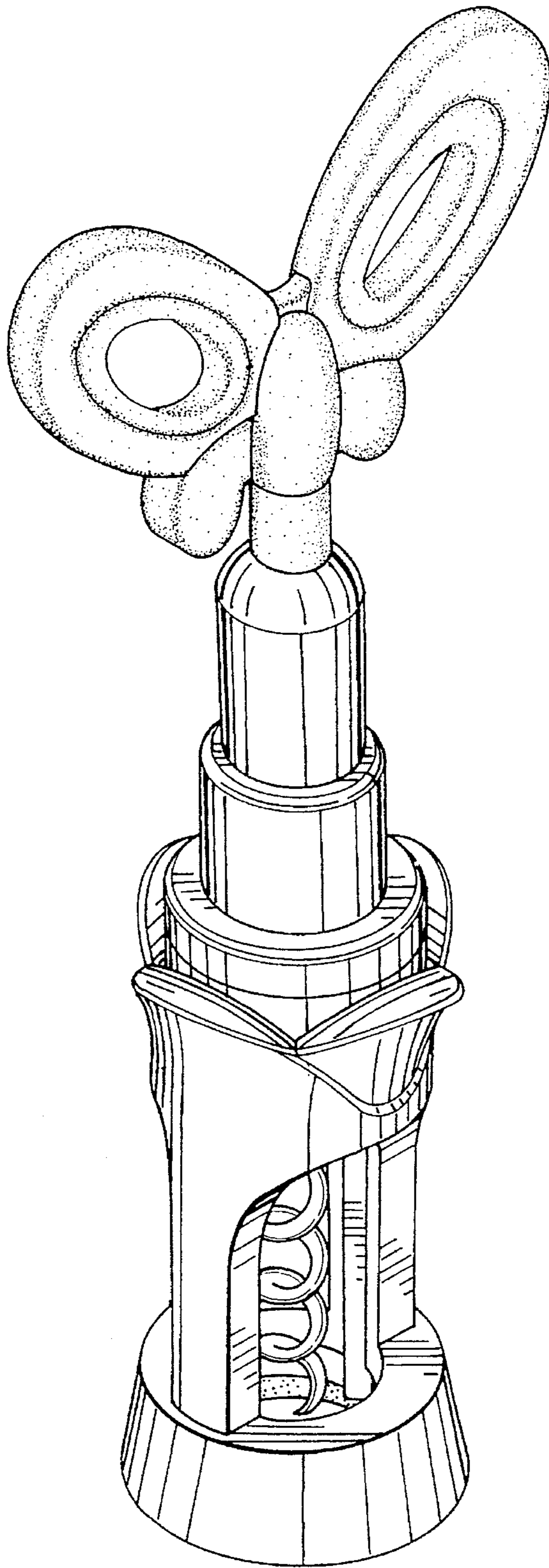


FIG. 1

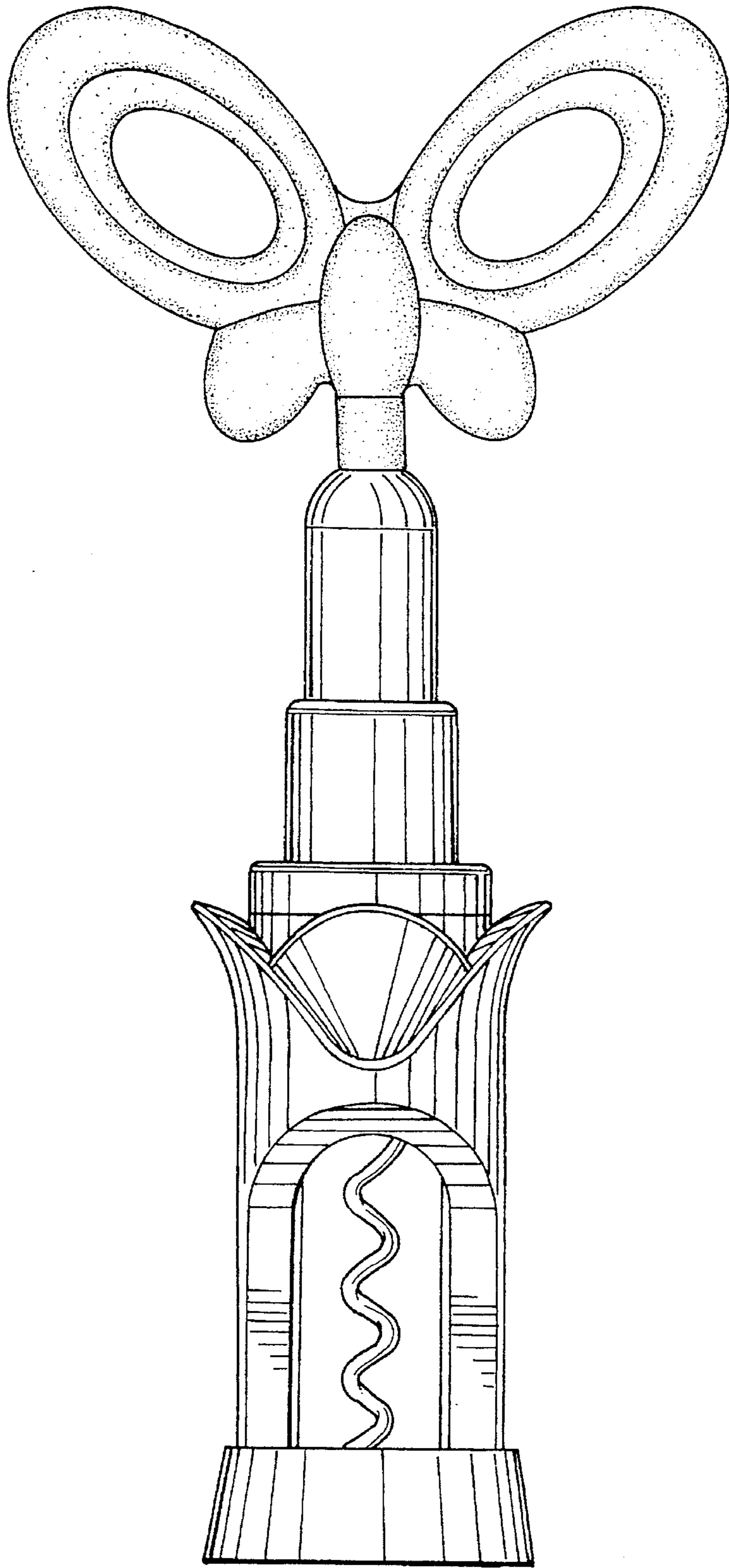


FIG. 2

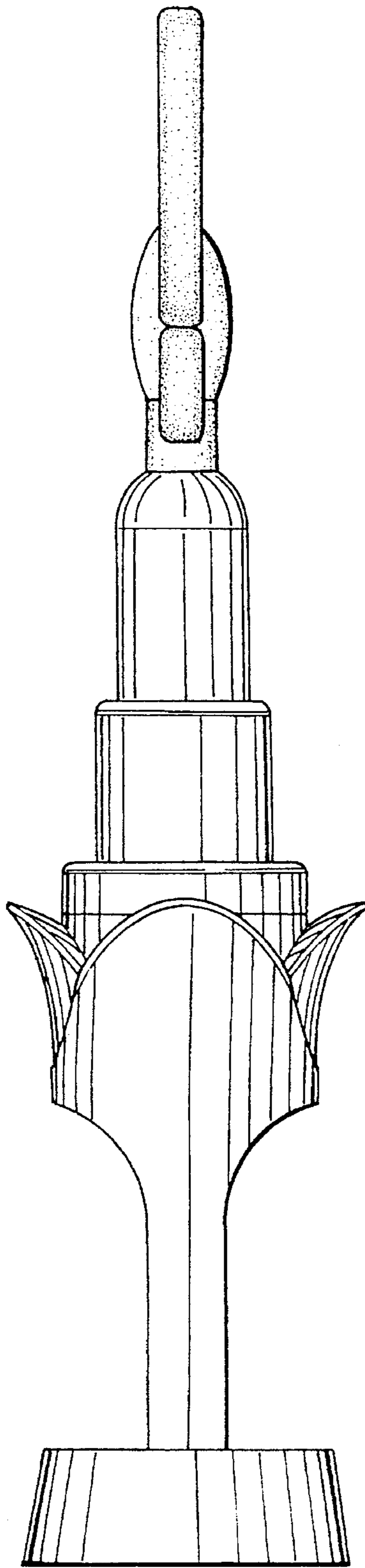


FIG.3

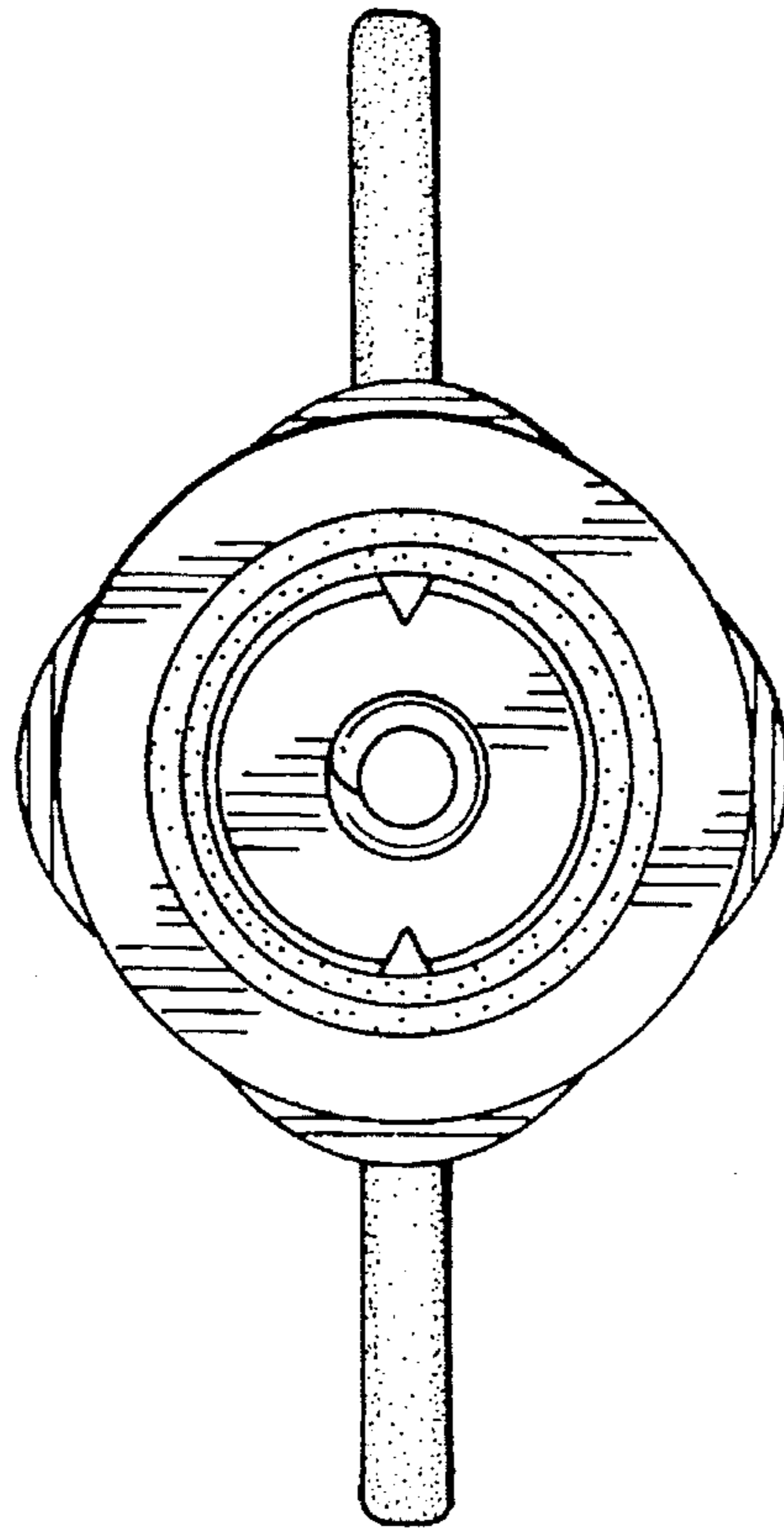


FIG.5

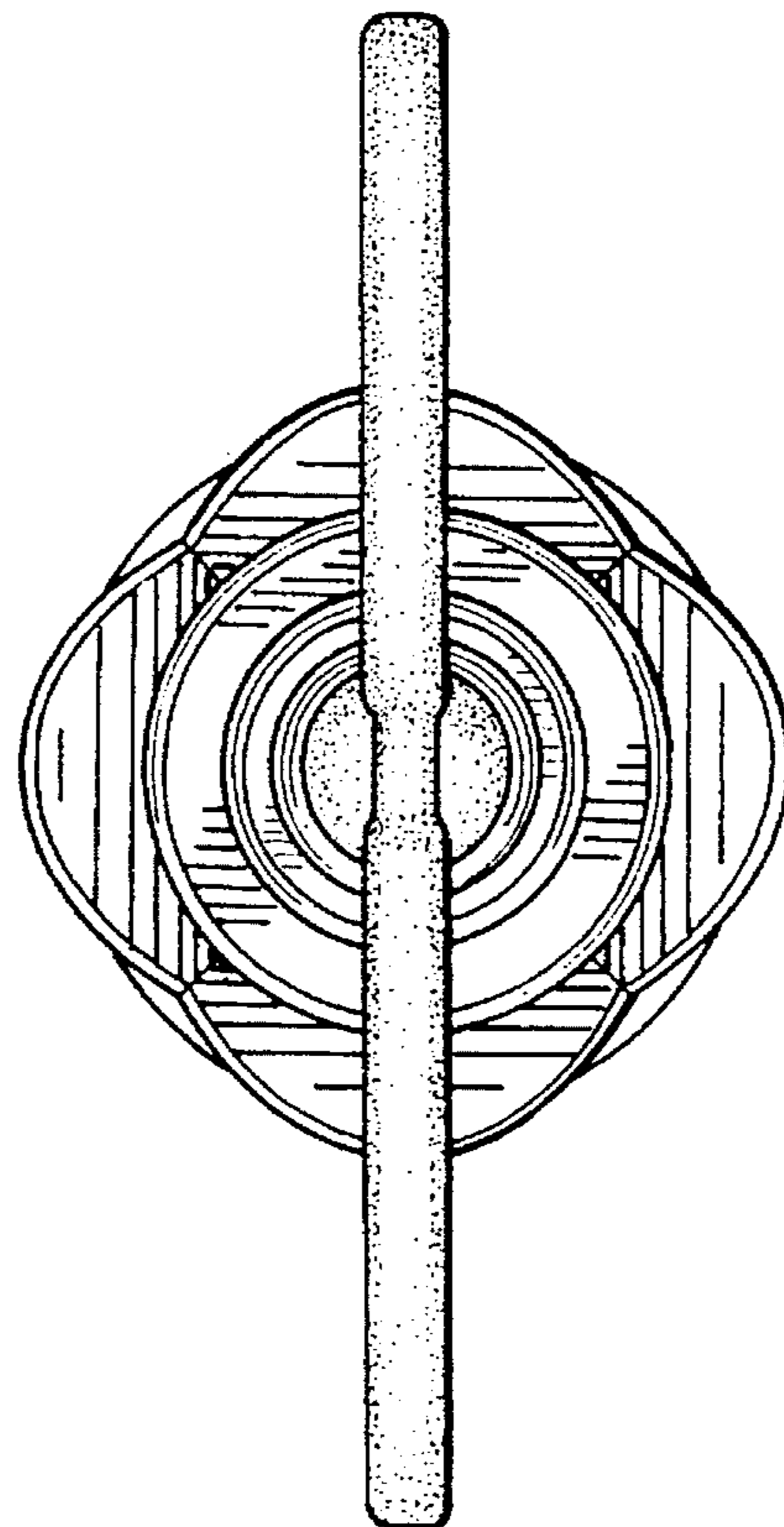


FIG.4