



US00D365736S

United States Patent [19]

[11] Patent Number: **Des. 365,736**

Rucereto

[45] Date of Patent: ****Jan. 2, 1996**

[54] **BELLOWS RETRACTOR TOOL FOR FUEL PUMP NOZZLE**

Primary Examiner—A. Hugo Word
Assistant Examiner—Holly H. Baynham
Attorney, Agent, or Firm—Siegmar Silber

[76] Inventor: **Joseph Rucereto**, 33 Hillside Dr., North Haledon, N.J. 07508

[57] **CLAIM**

[**] Term: **14 Years**

The ornamental design for a bellows retractor tool for fuel pump nozzle, as shown and described.

[21] Appl. No.: **30,609**

DESCRIPTION

[22] Filed: **Nov. 3, 1994**

[52] U.S. Cl. **D8/14**

[58] Field of Search D8/354, 14, 21, D8/23, 27-28; 81/119, 176.1-176.2

FIG. 1 is a perspective view of a bellows retractor tool for fuel pump nozzle showing my new design; FIG. 2 is a front elevational view thereof; FIG. 3 is a rear elevational view thereof; FIG. 4 is a top plan view thereof with the bottom view being identical in appearance; and, FIG. 5 is a side elevational view thereof with the opposite side being identical in appearance.

[56] **References Cited**

U.S. PATENT DOCUMENTS

- D. 270,424 9/1983 Weierman D8/28 X
- D. 282,046 1/1986 Dumond et al. D8/21
- D. 338,816 8/1993 Maldonado D8/21

1 Claim, 1 Drawing Sheet

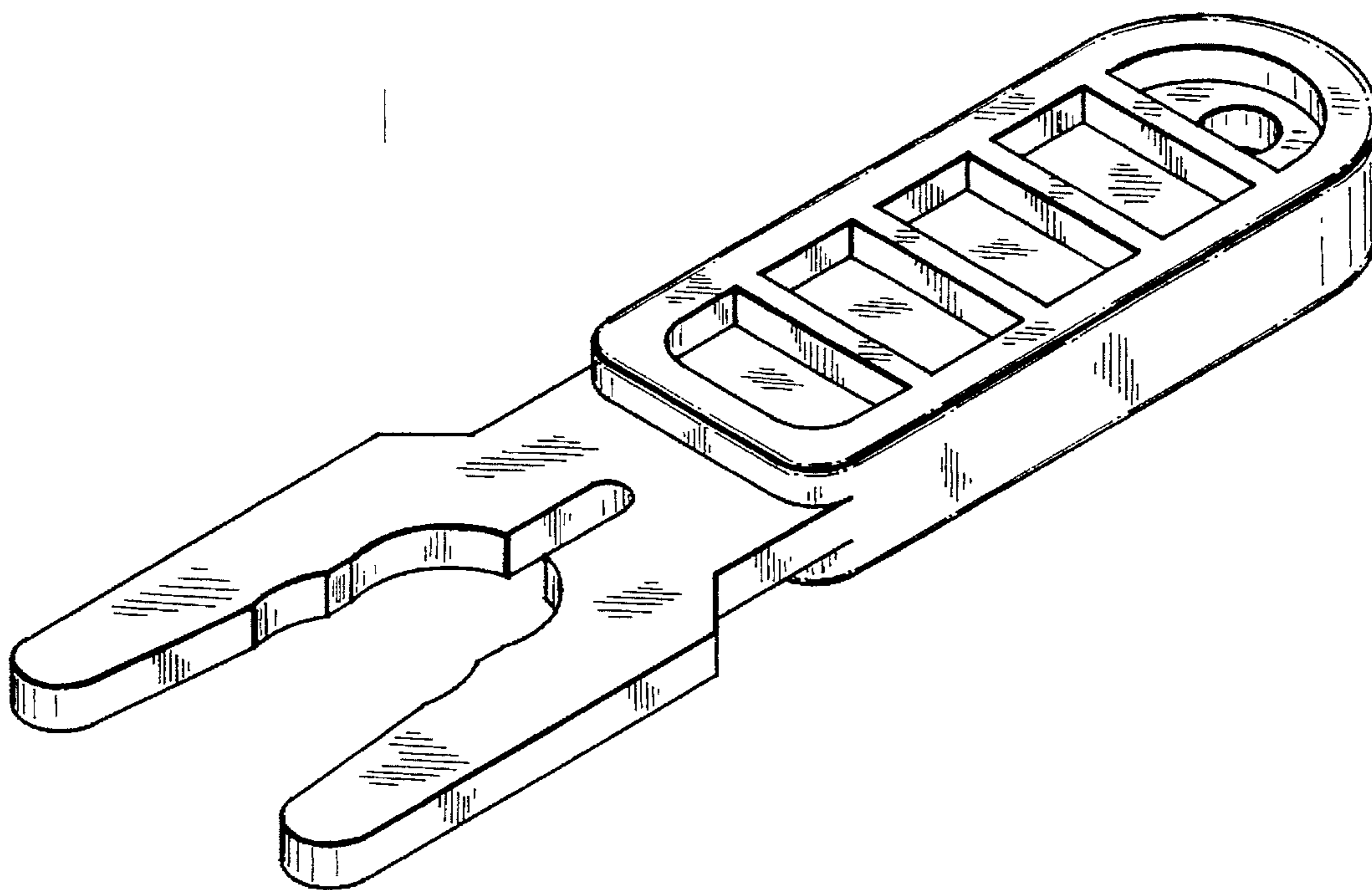


FIG. 2



FIG. 1

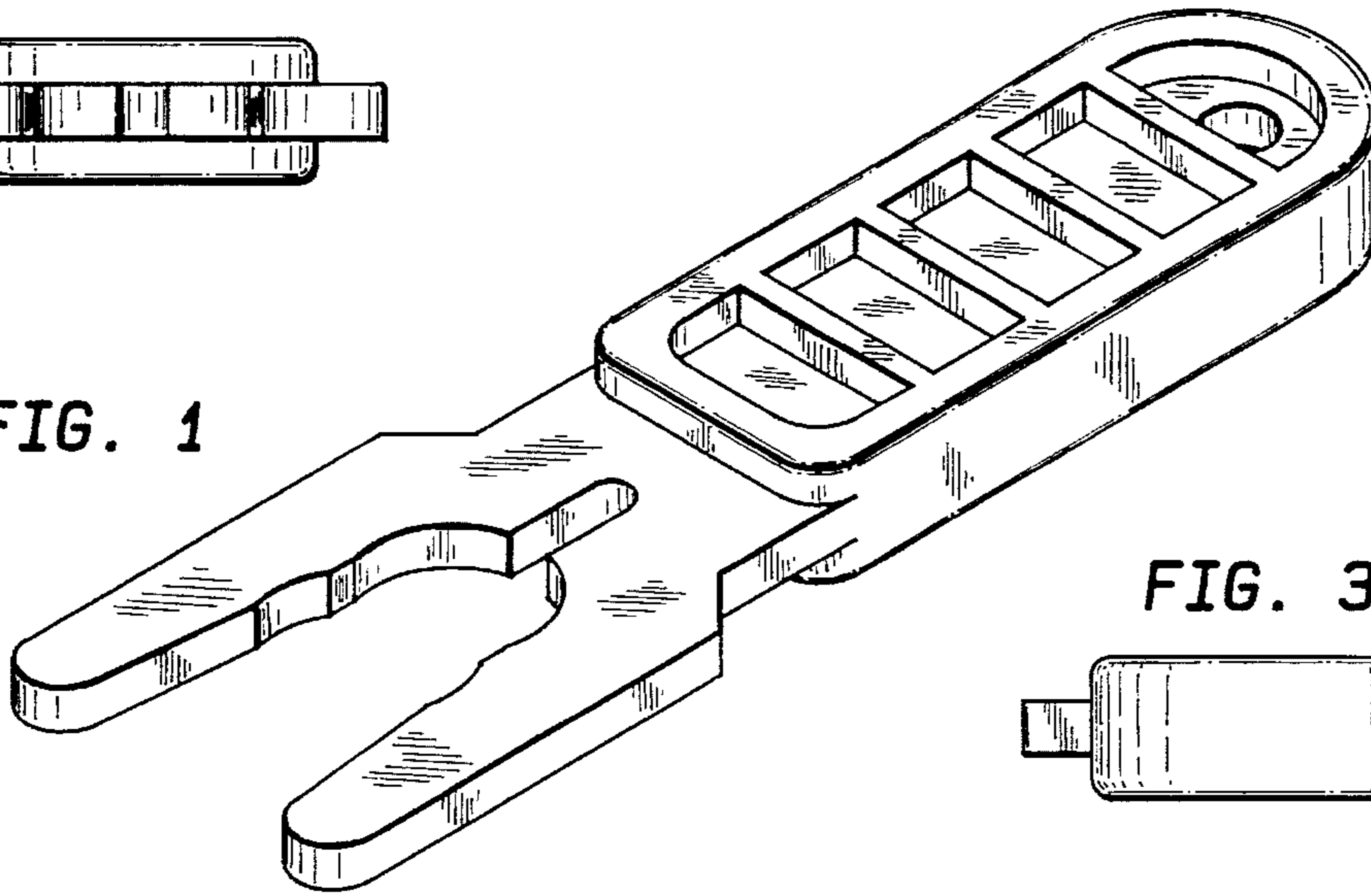


FIG. 3

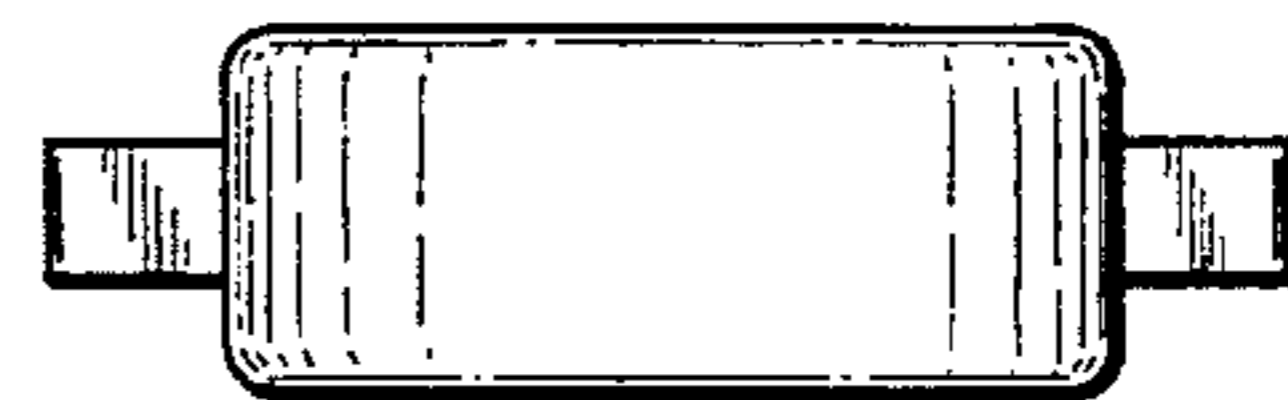


FIG. 4

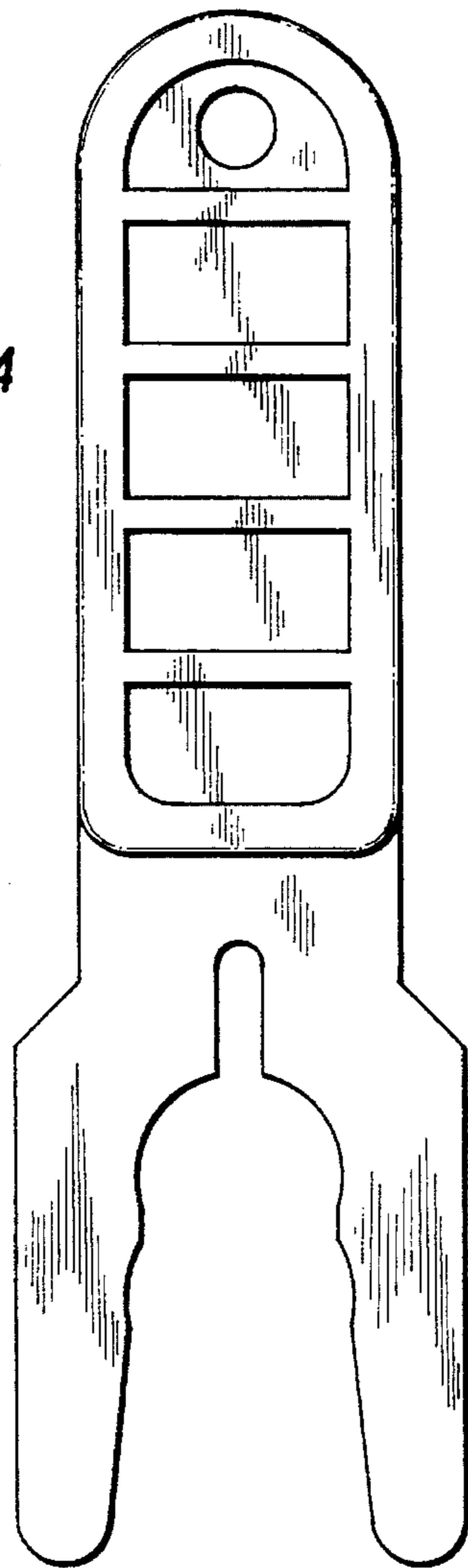


FIG. 5

