



US00D365735S

**United States Patent** [19]  
**Fells**

[11] **Patent Number:** **Des. 365,735**

[45] **Date of Patent:** **\*\*Jan. 2, 1996**

[54] **BRAKE CALIPER TOOL**

0241878 1/1987 Germany .

4024909 11/1994 WIPO ..... 248/371

[76] Inventor: **Cedric H. Fells**, 1815 Garfield, Little Rock, Ark. 72204

*Primary Examiner*—Ted Shooman  
*Assistant Examiner*—Richelle Shelton  
*Attorney, Agent, or Firm*—Richard C. Litman

[\*\*] Term: **14 Years**

[21] Appl. No.: **20,352**

[57] **CLAIM**

[22] Filed: **Mar. 24, 1994**

The ornamental design for a brake caliper tool, as shown and described.

[52] U.S. Cl. .... **D8/14**

[58] Field of Search ..... D8/14, 51, 499, D8/354, 380; D12/180; 29/233; 248/371, 346

**DESCRIPTION**

[56] **References Cited**

**U.S. PATENT DOCUMENTS**

- D. 292,117 9/1987 Arp ..... D8/380 X
- 1,881,428 10/1932 Finch ..... 248/346
- 2,377,415 6/1945 Guignon ..... 248/346 X
- 3,580,544 5/1971 Payne .
- 4,671,144 6/1987 Zeller .
- 4,845,823 7/1989 Shipman .
- 5,003,681 4/1991 Schley .
- 5,077,886 1/1992 Hachimoto et al. .

FIG. 1 is a perspective view of a brake caliper tool showing my new design;

FIG. 2 is a front elevational view with the rear being a mirror image thereof;

FIG. 3 is a top view thereof; and,

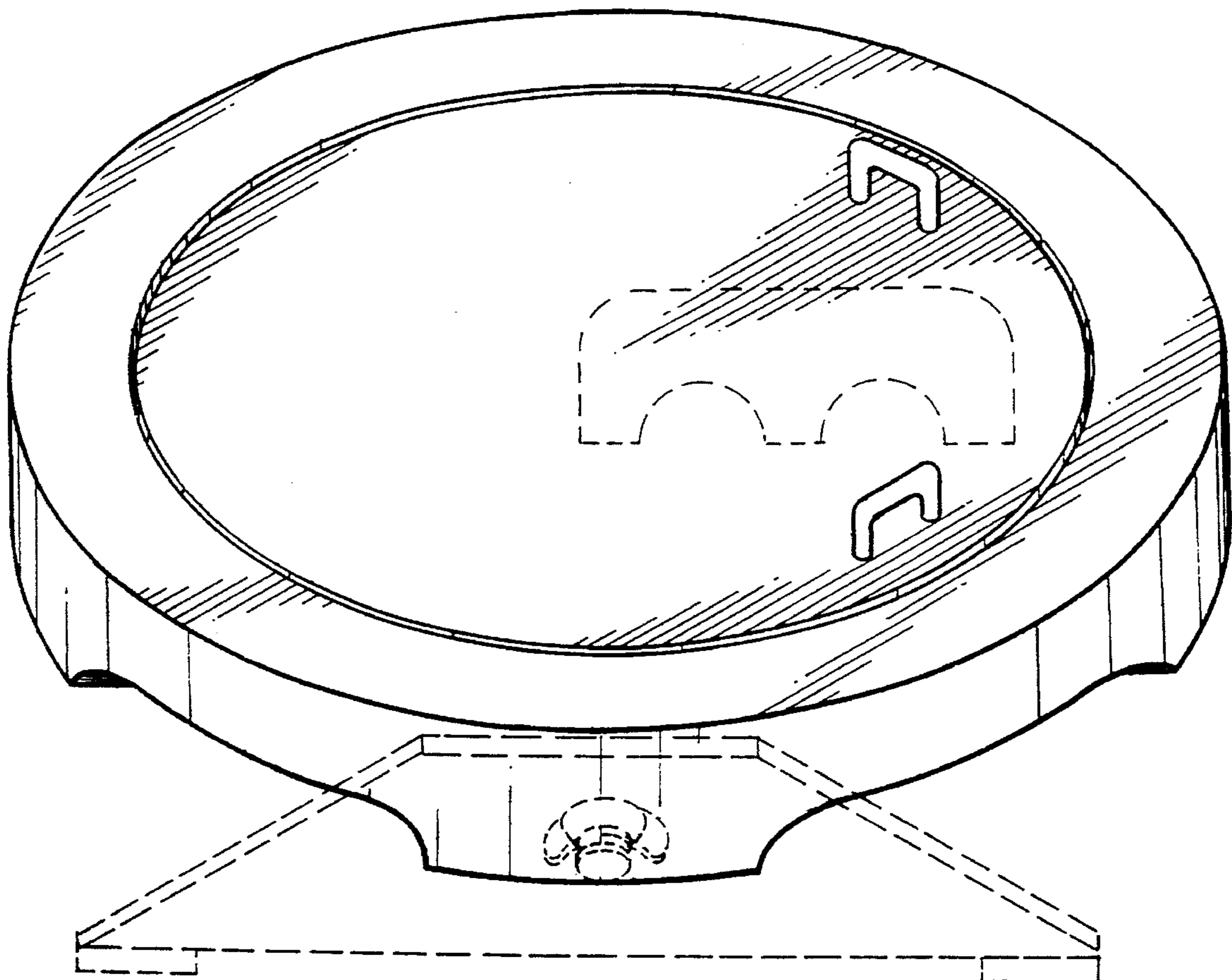
FIG. 4 is a right side elevational view with the left side being a mirror image thereof.

The unornamented bottom is not disclosed. The broken line showing of a brake tool mounting bracket and indicia in FIG. 1 is for illustrative purposes only and forms no part of the claimed design.

**FOREIGN PATENT DOCUMENTS**

2746019 4/1979 Germany ..... 248/371

**1 Claim, 2 Drawing Sheets**



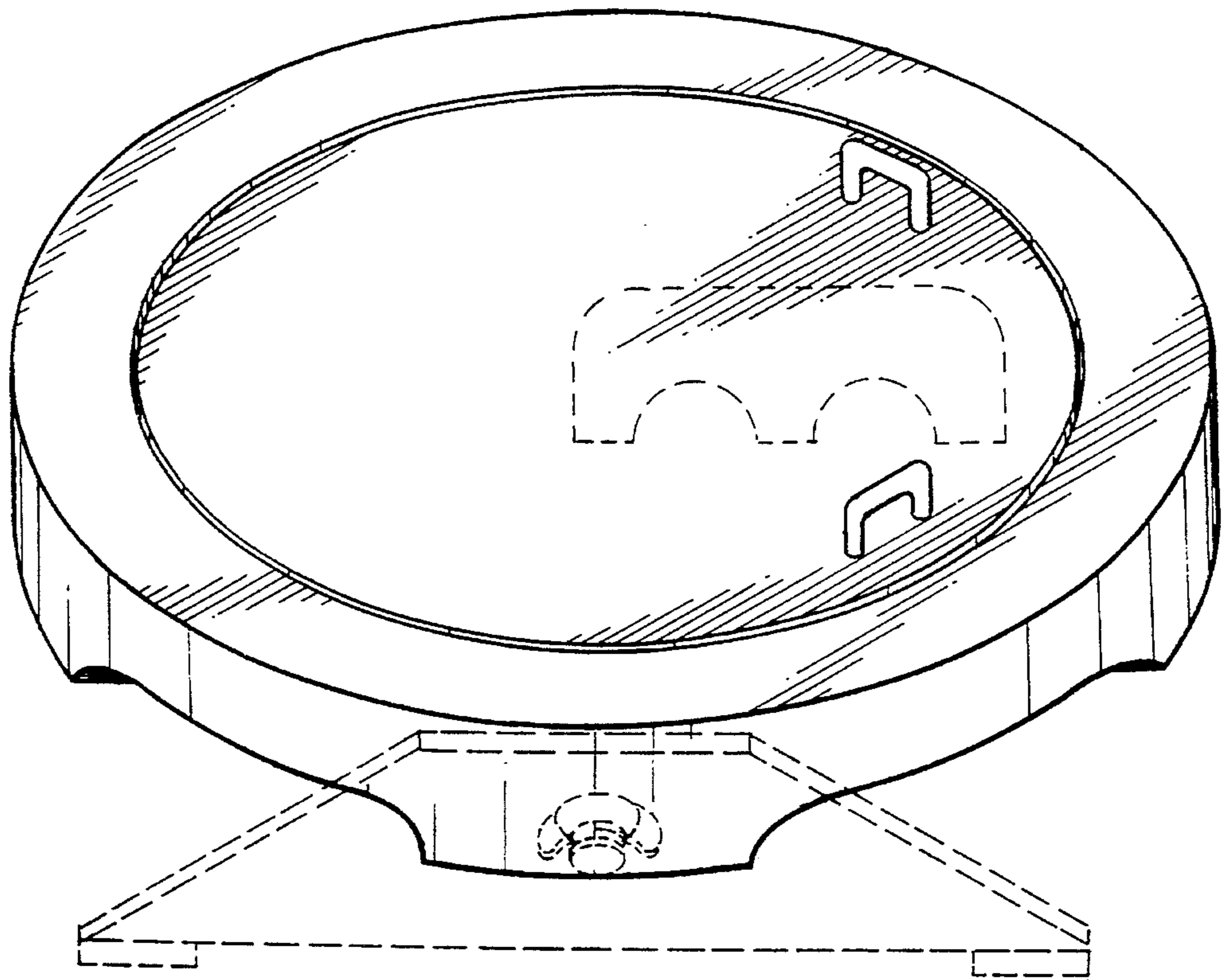


FIG. 1

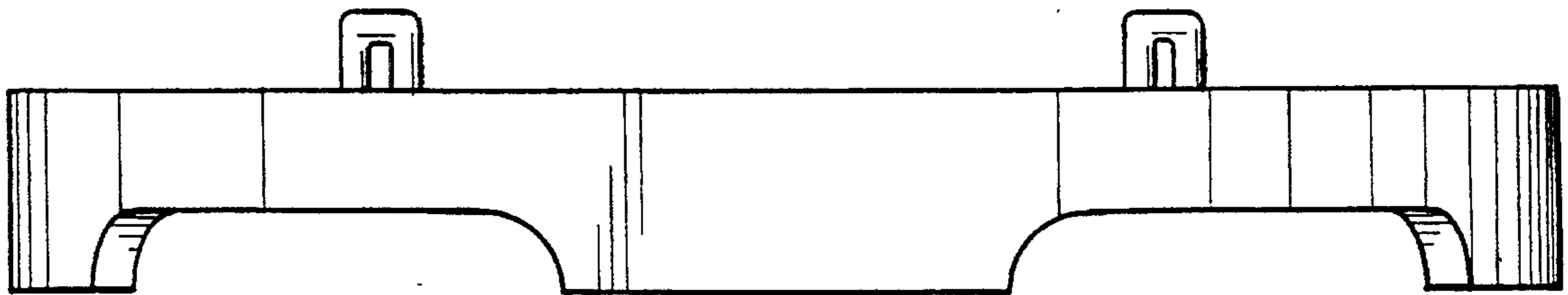


FIG. 2

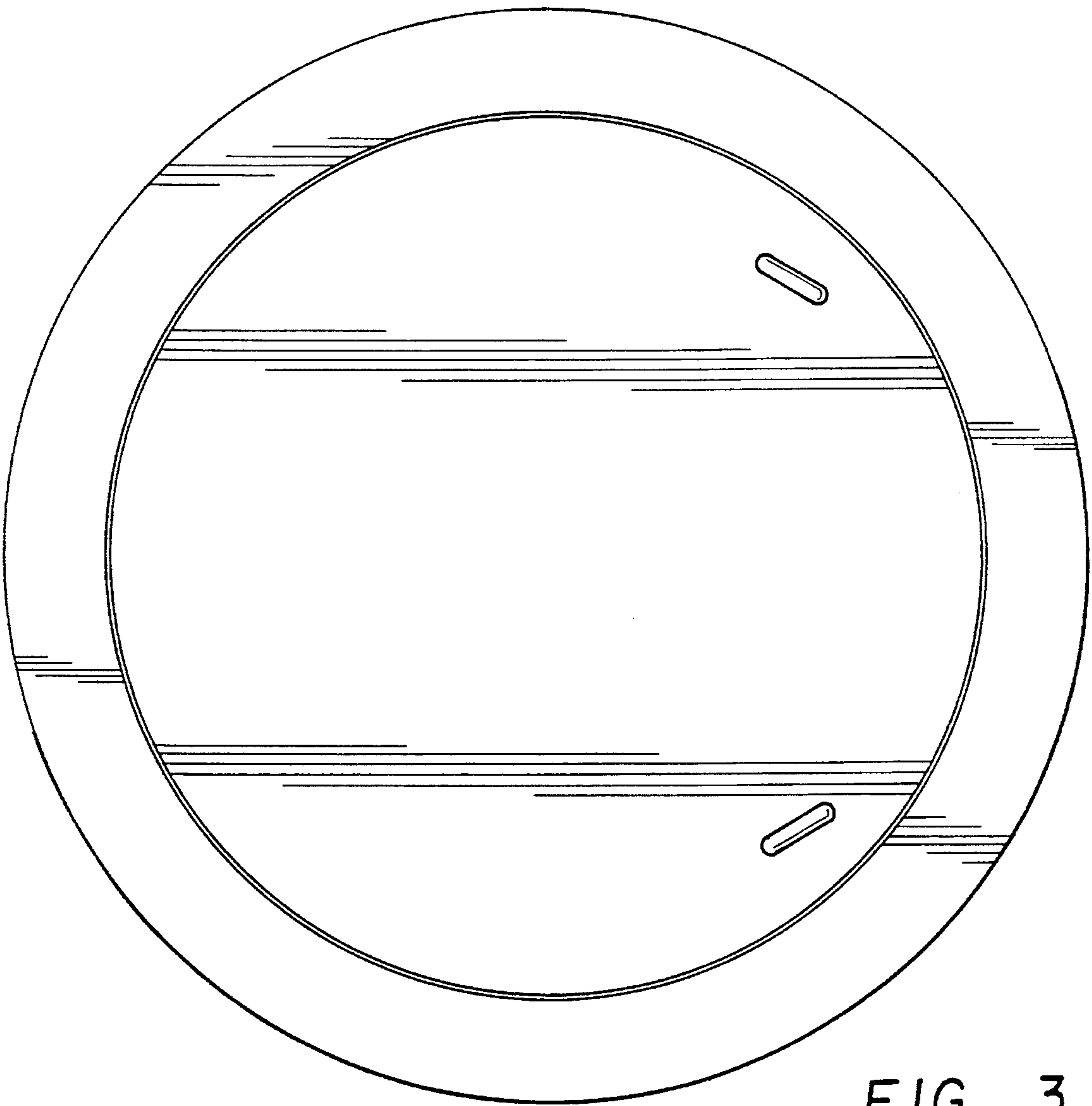


FIG. 3

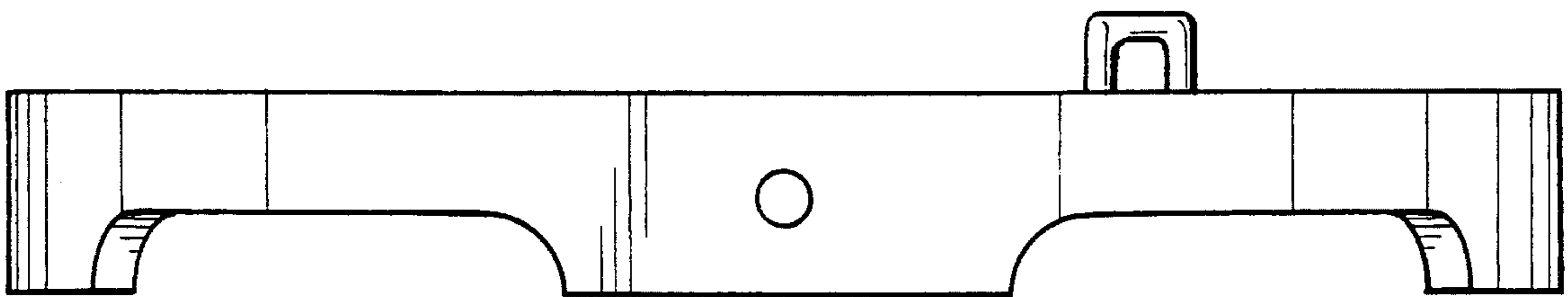


FIG. 4