



US00D365733S

# United States Patent [19]

Freedland

[11] Patent Number: **Des. 365,733**

[45] Date of Patent: **\*\*Jan. 2, 1996**

[54] LUNCH BOX

[76] Inventor: **Darryle Freedland**, 20110 NE. 23rd Ct., North Miami Beach, Fla. 33160

[\*\*] Term: **14 Years**

[21] Appl. No.: **27,596**

[22] Filed: **Aug. 25, 1994**

[52] U.S. Cl. .... **D7/710; D14/168**

[58] Field of Search ..... **D7/709, 710; D14/160-165, D14/168; 62/457.1, 457.7; 206/223, 541, 542, 545, 549; 220/404, 410, 412, 528, DIG. 10**

[56] **References Cited**

**U.S. PATENT DOCUMENTS**

- D. 288,320 2/1987 Roth et al. .
- D. 313,019 12/1990 Azuelos .
- D. 327,607 7/1992 Leonovich, Jr. .
- D. 333,821 3/1993 Takimoto ..... D14/168
- D. 334,868 4/1993 Lau Woon .
- D. 339,270 9/1993 Homann .

- 4,571,740 2/1986 Kirby et al. .
- 4,648,512 3/1987 Tarozzi et al. .
- 5,005,679 4/1991 Hjelle .
- 5,022,528 6/1991 Savoy .

*Primary Examiner*—Terry A. Wallace  
*Attorney, Agent, or Firm*—Sixbey Friedman Leedom & Ferguson

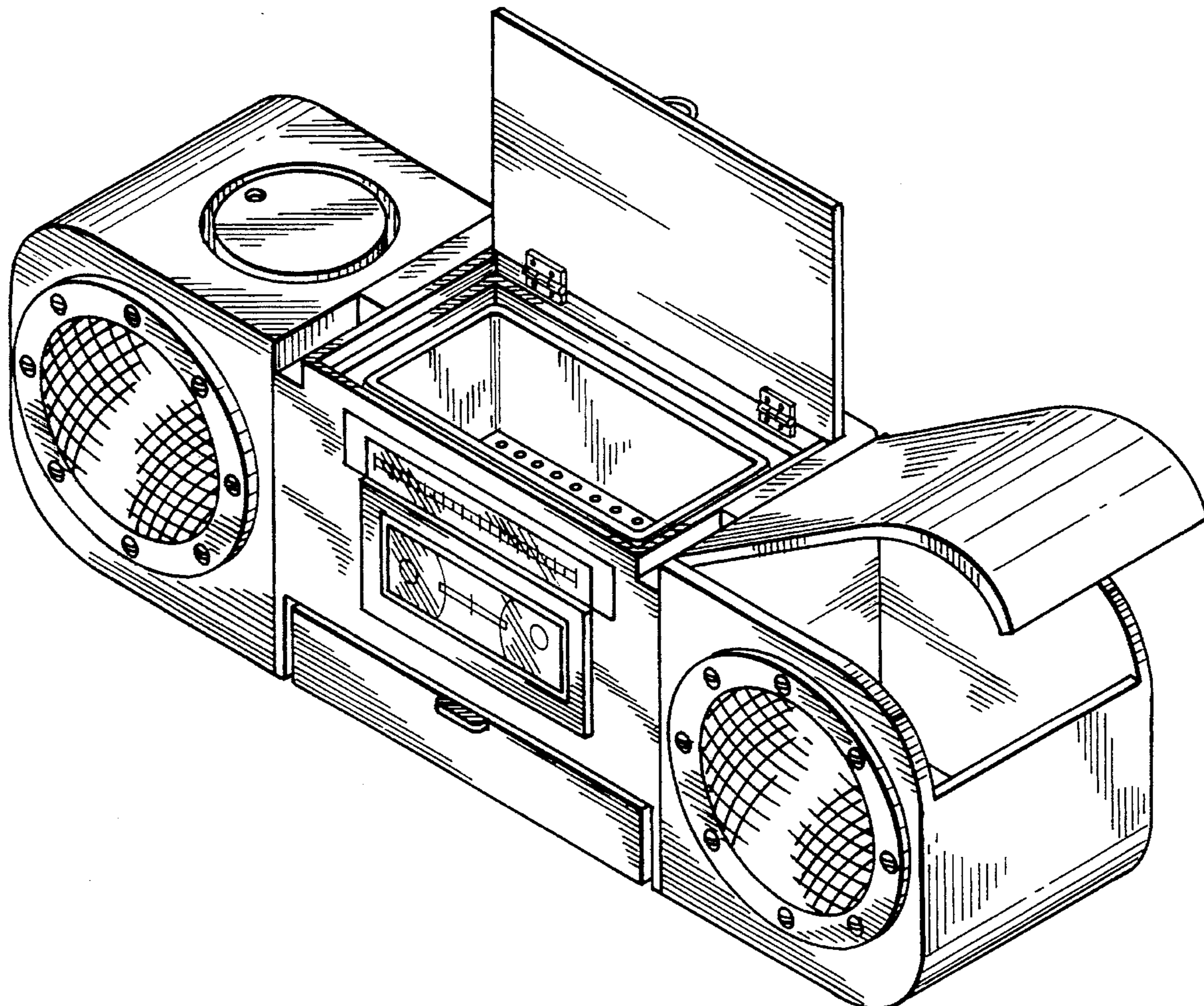
[57] **CLAIM**

The ornamental design for a lunch box, as shown and described.

**DESCRIPTION**

FIG. 1 is a perspective view of a lunch box showing my new design;  
FIG. 2 is a perspective view thereof in an open position;  
FIG. 3 is a front elevation view thereof;  
FIG. 4 is a top plan view thereof;  
FIG. 5 is a left side elevation view thereof;  
FIG. 6 is a right side elevation view thereof;  
FIG. 7 is a rear elevation view thereof; and,  
FIG. 8 is a bottom plan view thereof.

**1 Claim, 5 Drawing Sheets**



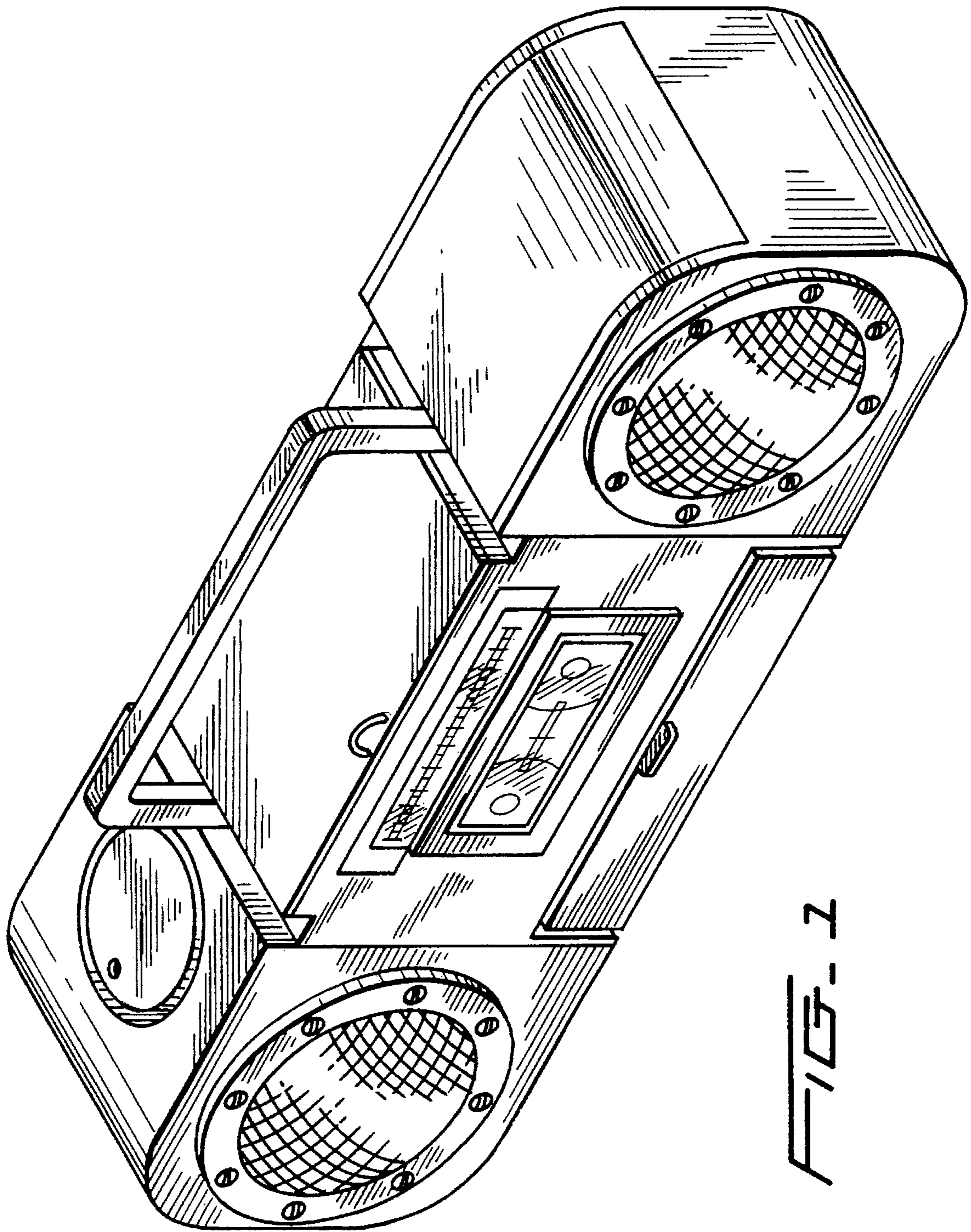
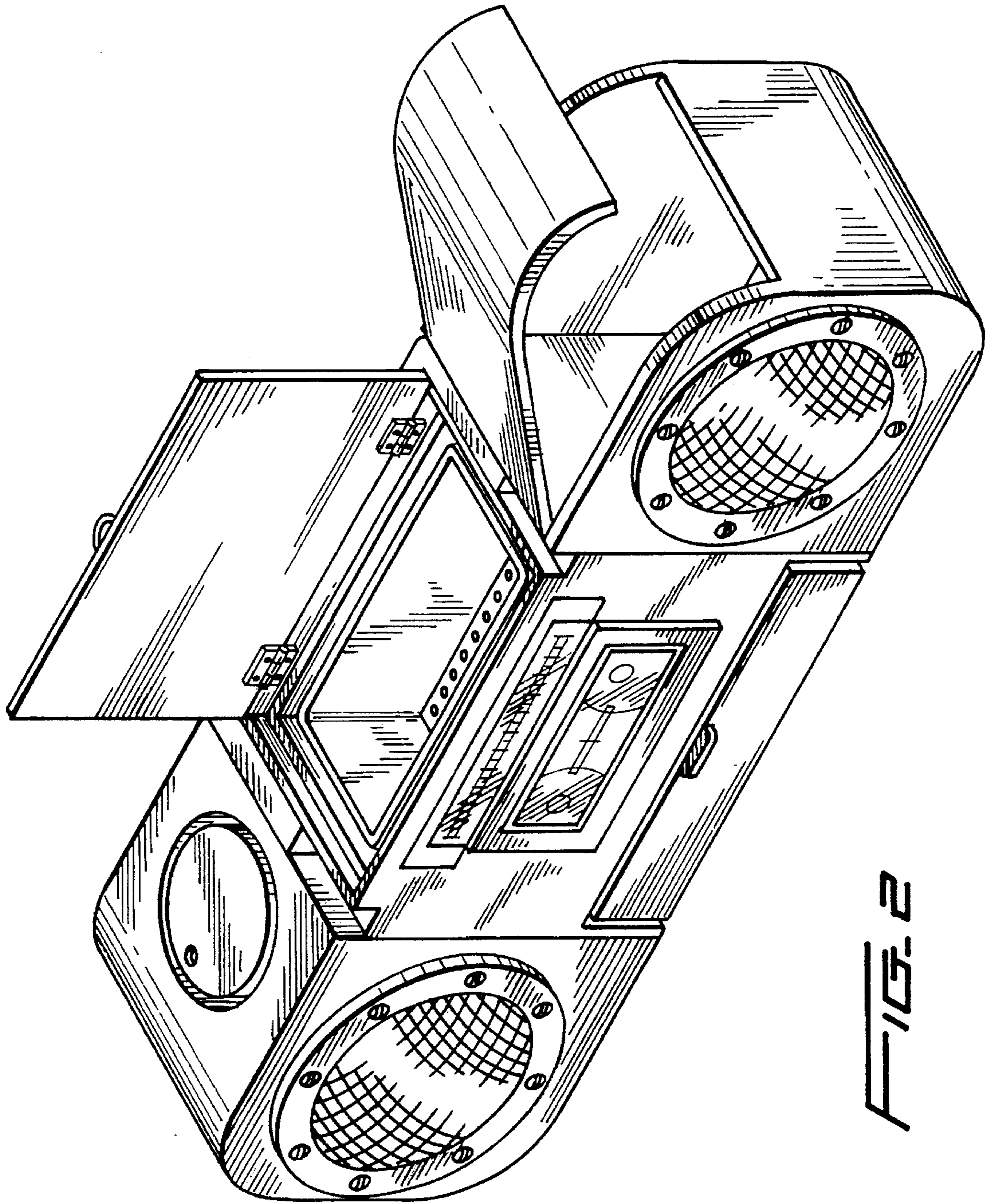
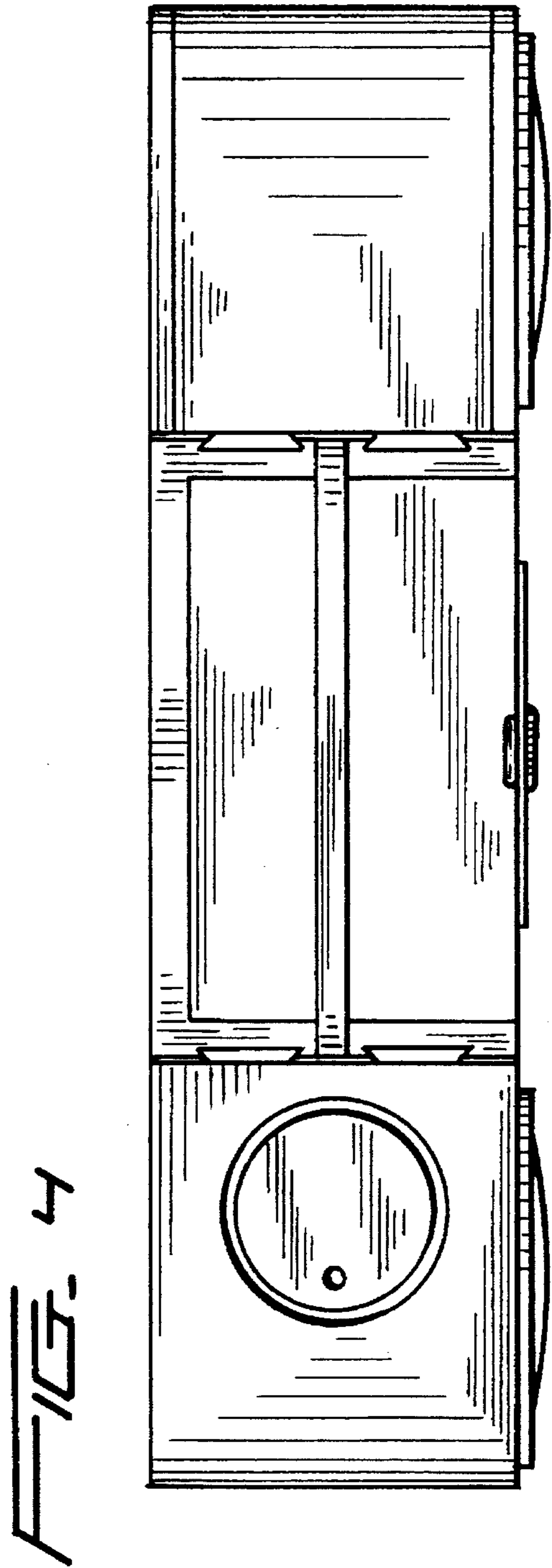
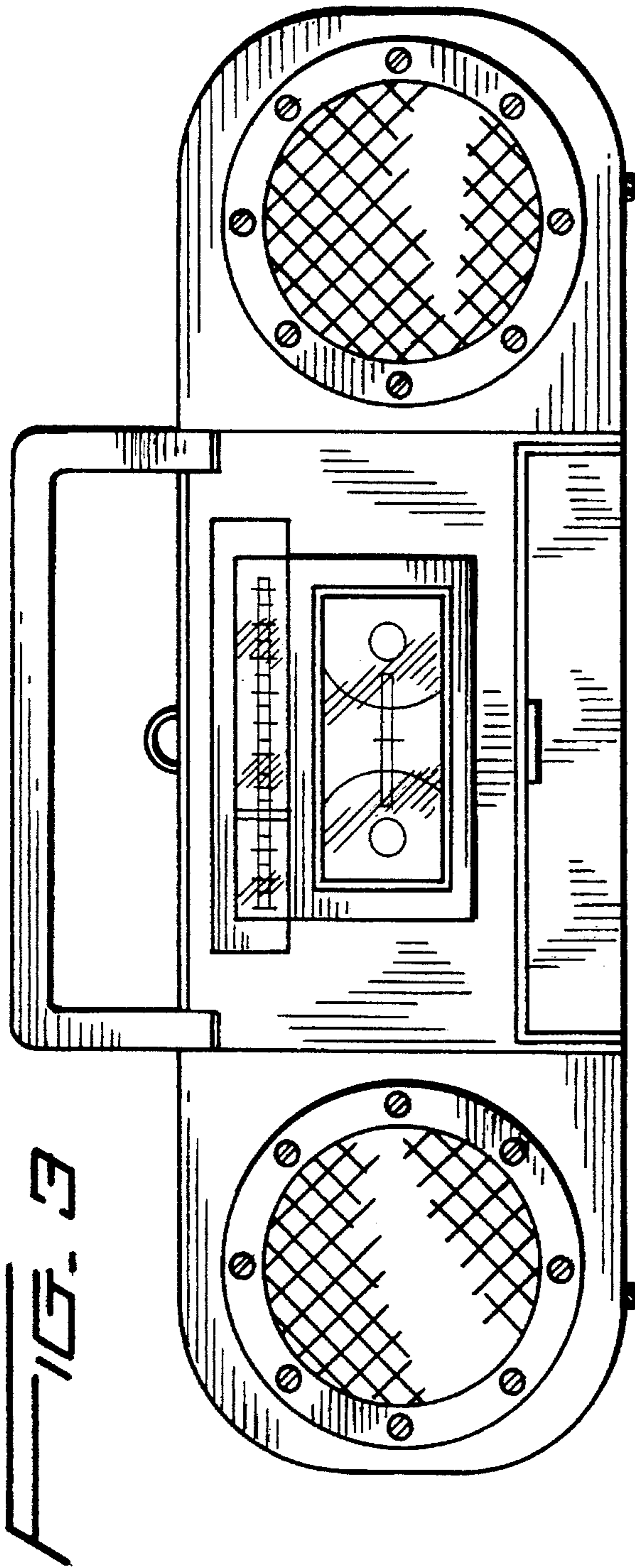


FIG. 1





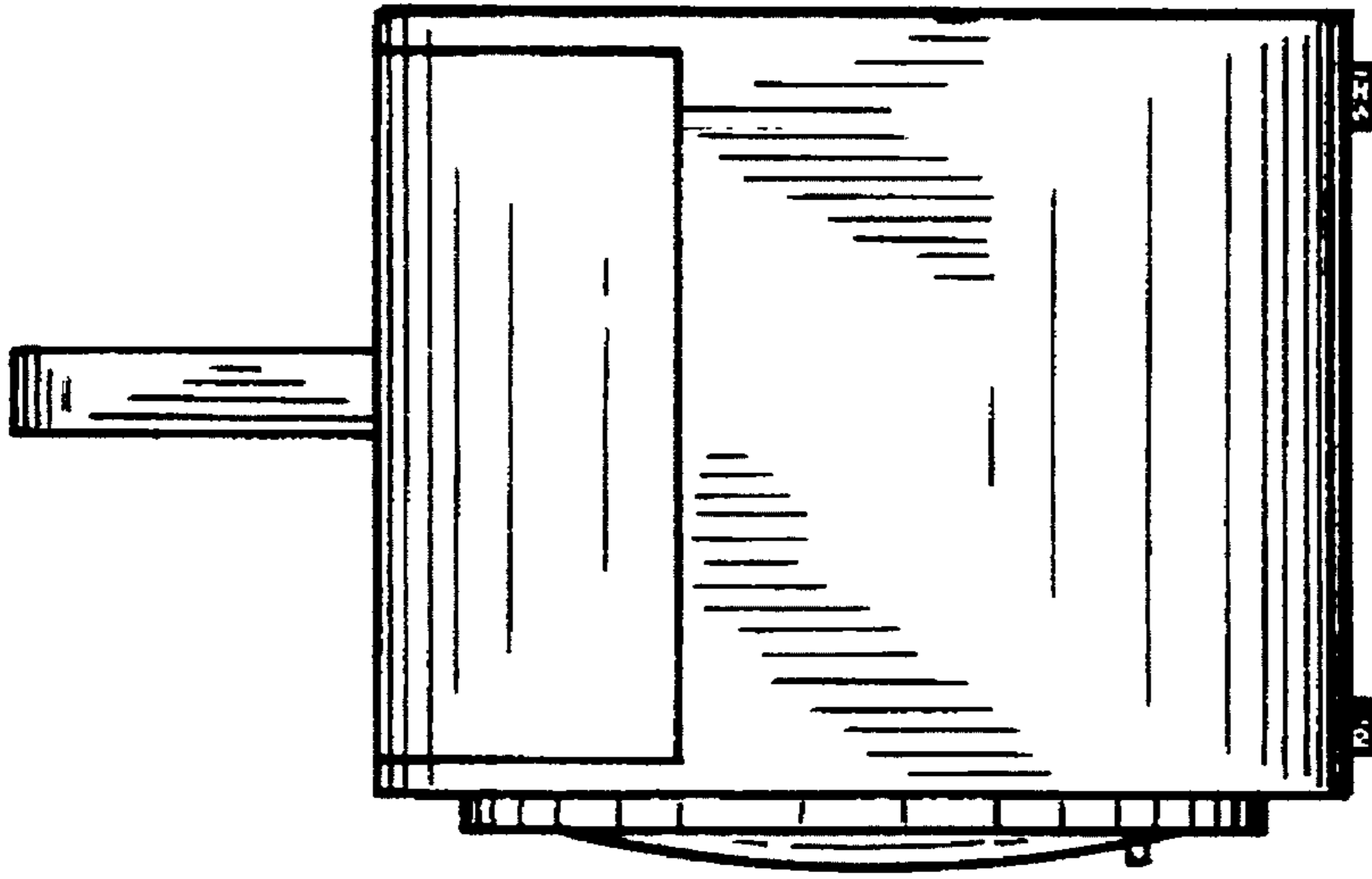


FIG. 6

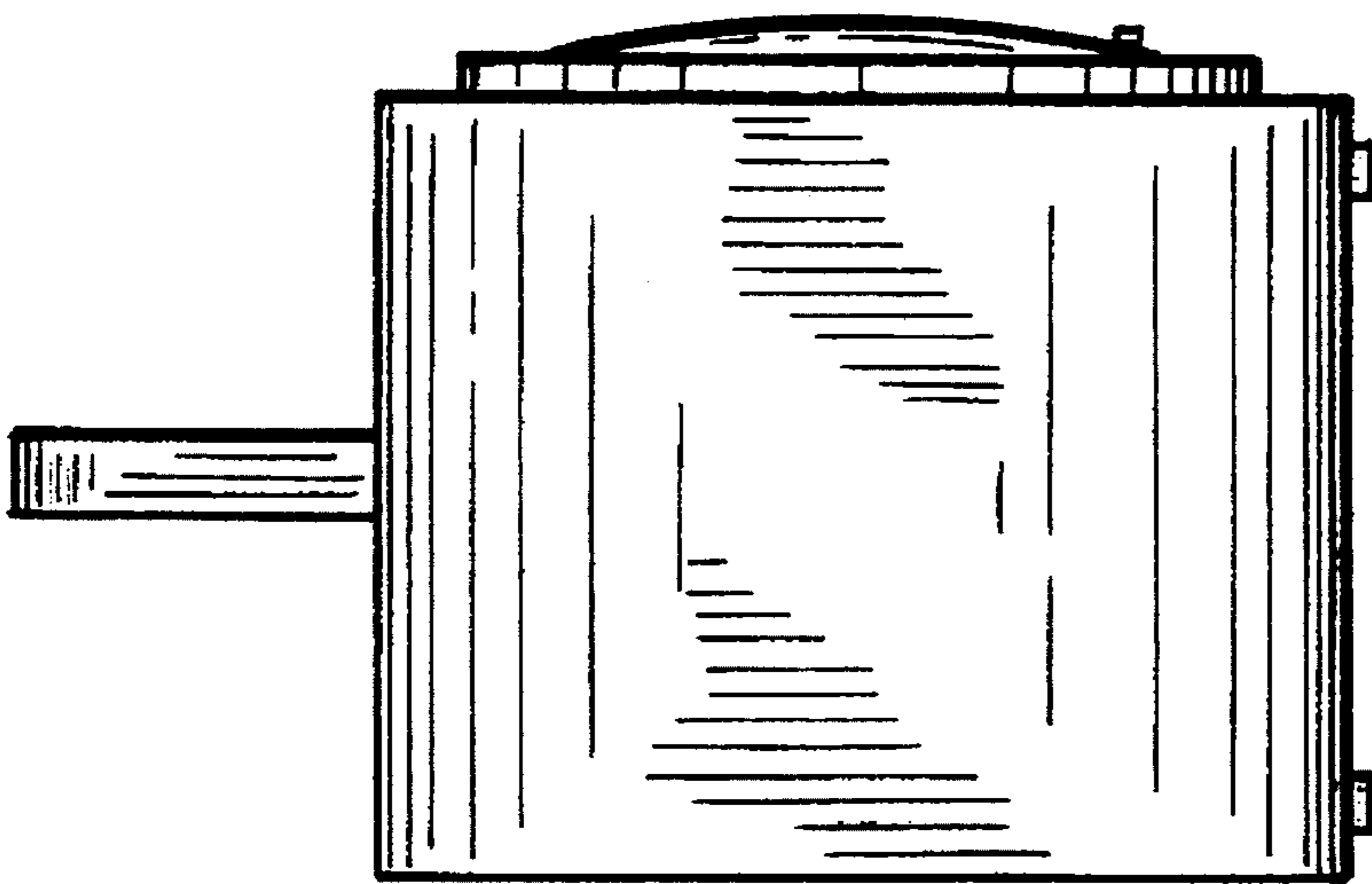


FIG. 5

