



US00D365727S

United States Patent [19]

[11] Patent Number: **Des. 365,727**

Adams et al.

[45] Date of Patent: ****Jan. 2, 1996**

[54] BEVERAGE MUG

[75] Inventors: **Bret A. Adams**, Upper Arlington; **Paul P. Kolada**, Bexley; **Michael J. Painter**, Columbus; **Sherry L. Jones**, London, all of Ohio

[73] Assignee: **Advanced Sports Concepts, Inc.**, Columbus, Ohio

[**] Term: **14 Years**

[21] Appl. No.: **27,285**

[22] Filed: **Aug. 17, 1994**

[52] U.S. Cl. **D7/536; D7/622**

[58] Field of Search D7/509, 510, 511, D7/512, 513, 507, 514, 515, 516, 517, 533, 535, 536, 619, 608, 622, 623; 215/398, 396; 220/306

[56] References Cited

U.S. PATENT DOCUMENTS

D. 249,918	10/1978	Block et al.	D7/514
D. 262,711	1/1982	Cox et al.	D7/608 X
D. 278,016	3/1985	Myrbo	D7/536
D. 293,291	12/1987	Hansen	D7/533
D. 337,242	7/1993	Steinfels, III	D7/623
D. 349,216	8/1994	Steinfels, III	D7/623
3,302,427	1/1967	Stoner et al.	D7/608 X
5,348,145	9/1994	Steinfels, III	D7/515 X

Primary Examiner—Alan P. Douglas

Assistant Examiner—M. N. Pandozzi

Attorney, Agent, or Firm—Frank H. Foster; Kremblas, Fos-

ter & Millard

[57] CLAIM

The ornamental design for a beverage mug, as shown and described.

DESCRIPTION

FIG. 1 is a front perspective view of a beverage mug showing our new design;

FIG. 2 is a view thereof in right side elevation;

FIG. 3 is a top view thereof;

FIG. 4 is a rear elevational view thereof;

FIG. 5 is a left side elevational view thereof;

FIG. 6 is a bottom view thereof;

FIG. 7 is a front elevational view thereof;

FIG. 8 is an exploded perspective view thereof;

FIG. 9 is a perspective view of the interior portion of the beverage mug with the exterior portion removed for ease of illustration;

FIG. 10 is a front elevational view thereof;

FIG. 11 is a top plan view thereof;

FIG. 12 is a bottom plan view thereof;

FIG. 13 is a side elevational view thereof;

FIG. 14 is a perspective view of the exterior portion of the beverage mug, with the interior portion removed for ease of illustration;

FIG. 15 is a right side elevational view thereof;

FIG. 16 is a top plan view thereof;

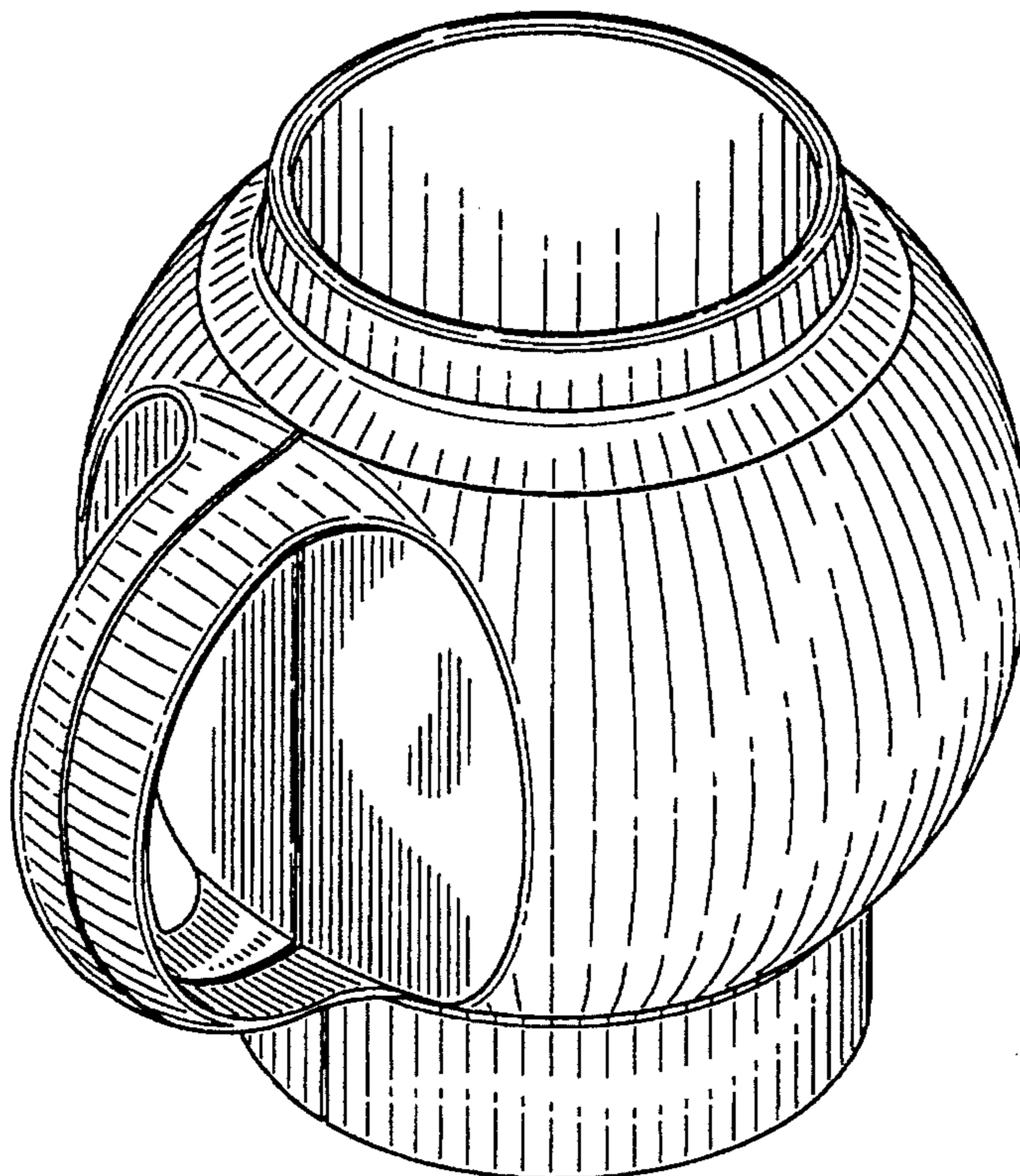
FIG. 17 is a rear elevational view thereof;

FIG. 18 is a left side elevational view thereof;

FIG. 19 is a bottom plan view thereof; and,

FIG. 20 is a front elevational view thereof.

1 Claim, 9 Drawing Sheets



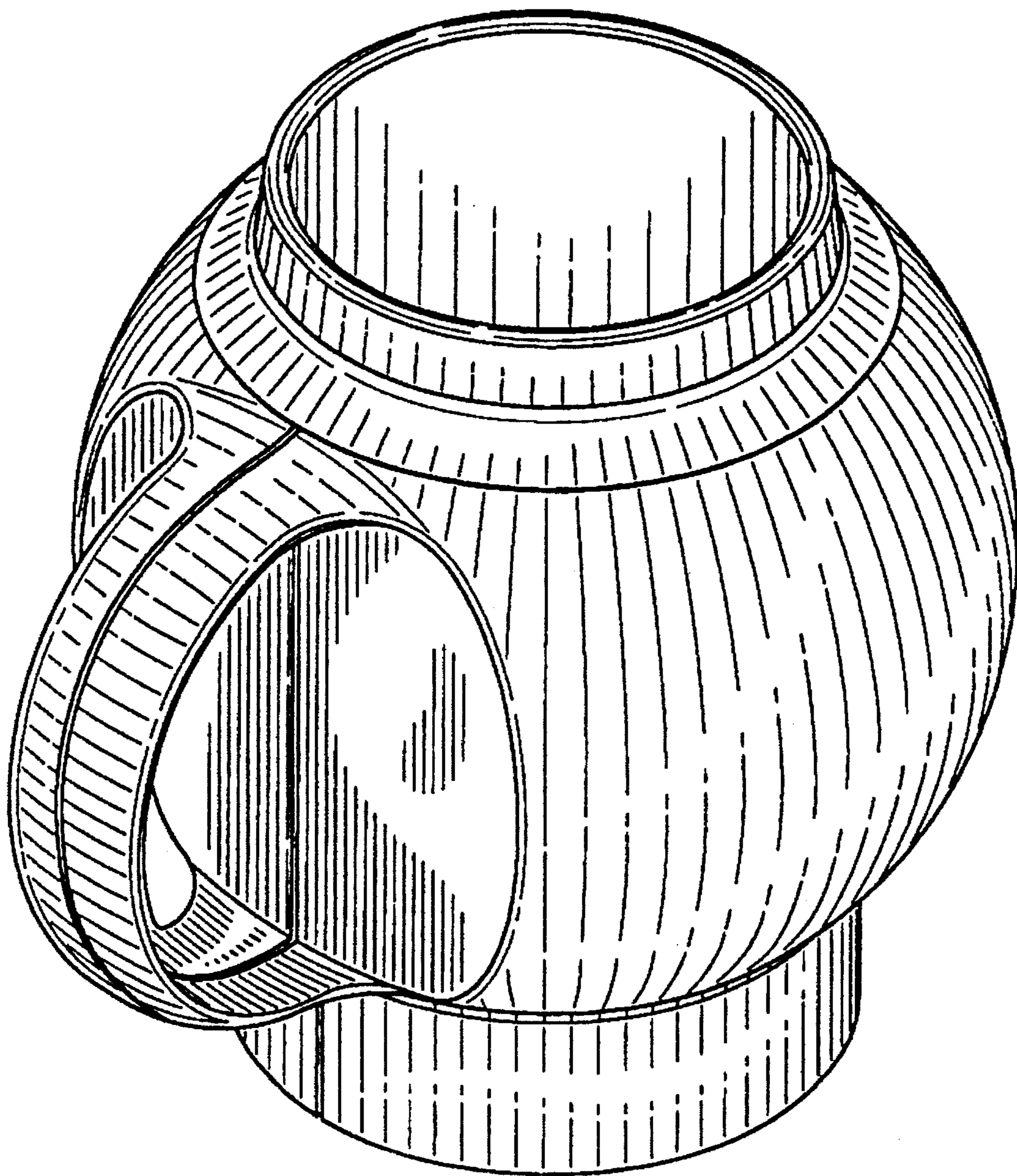


FIG-1

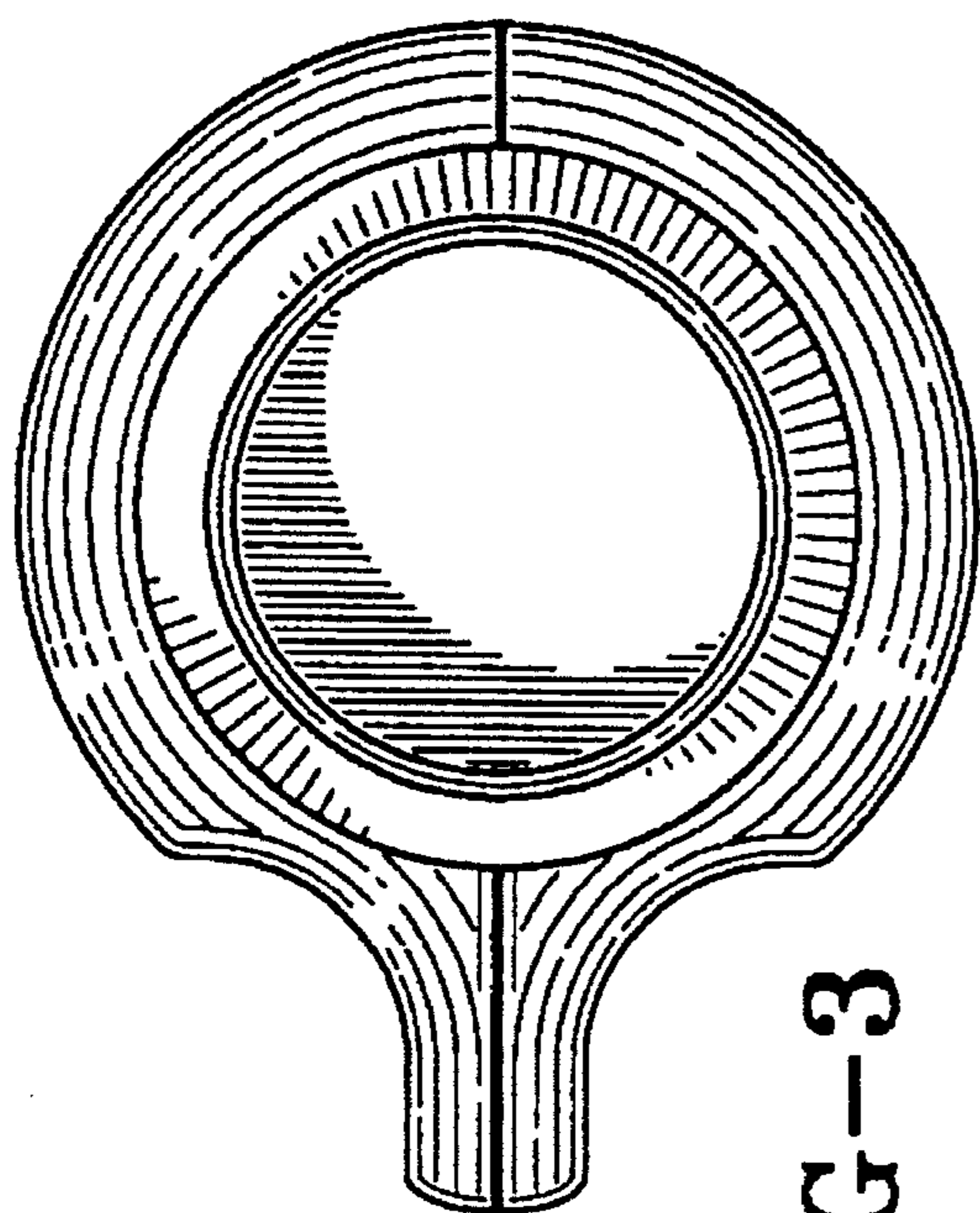


FIG-3

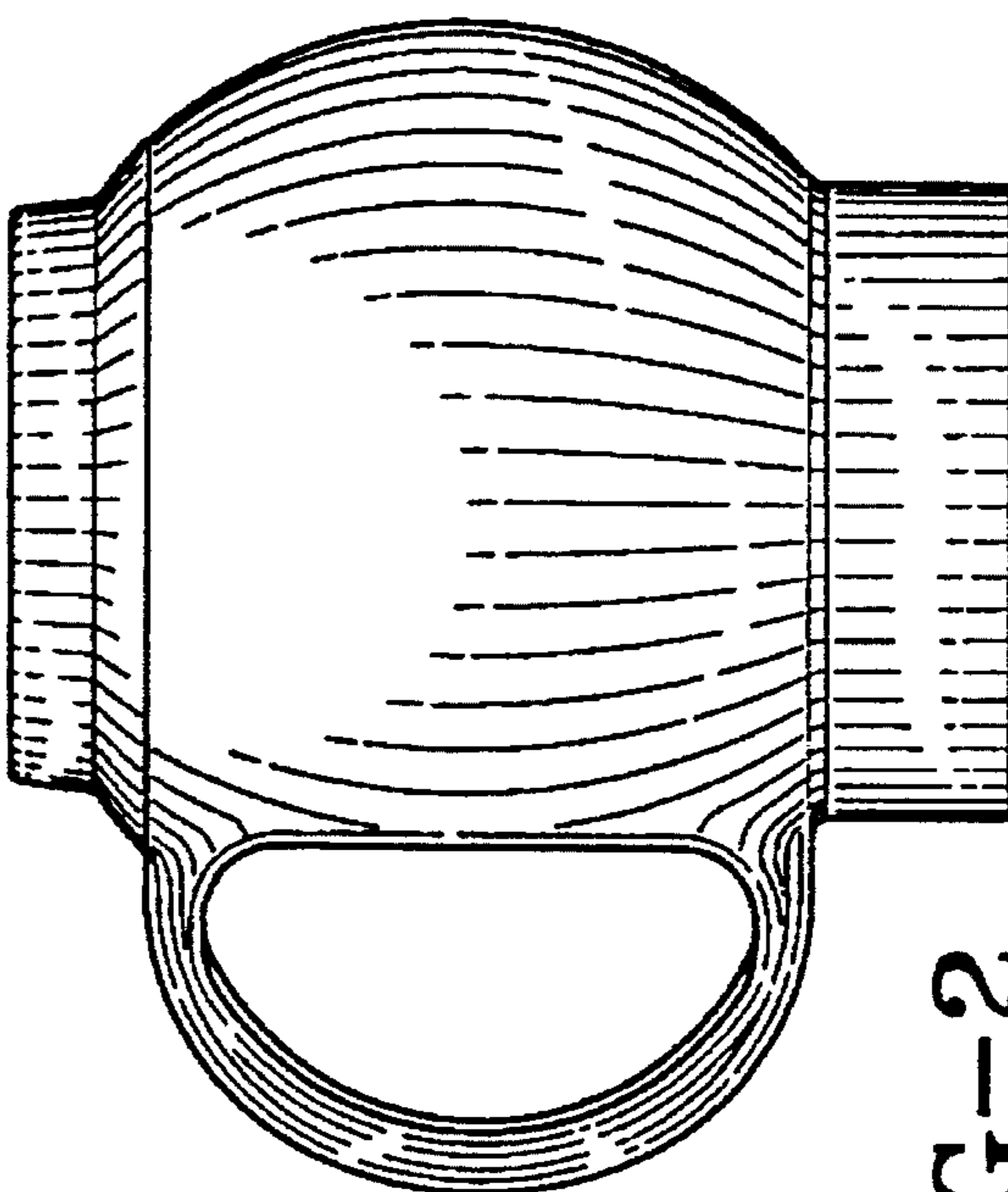


FIG-2

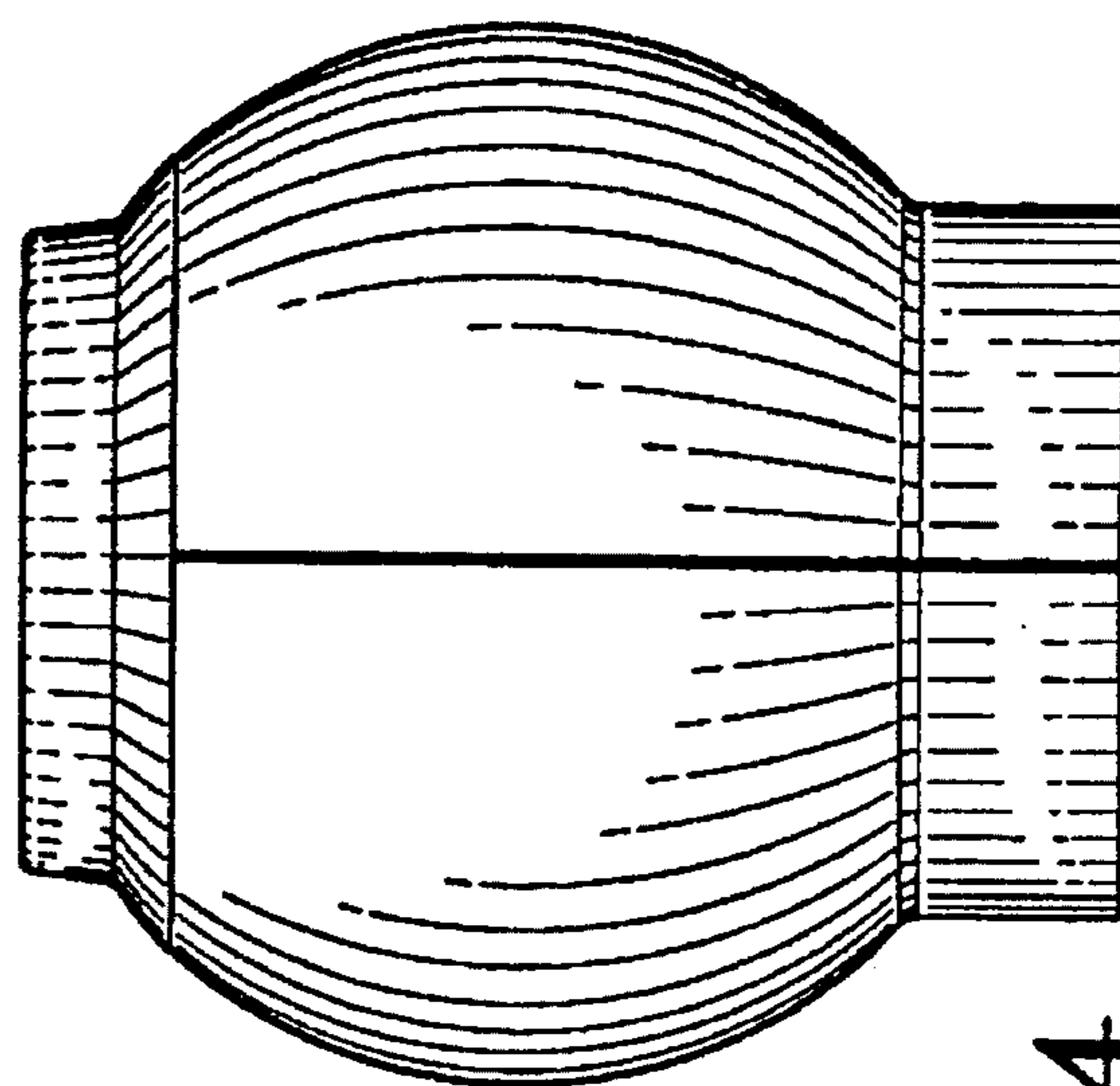


FIG-4

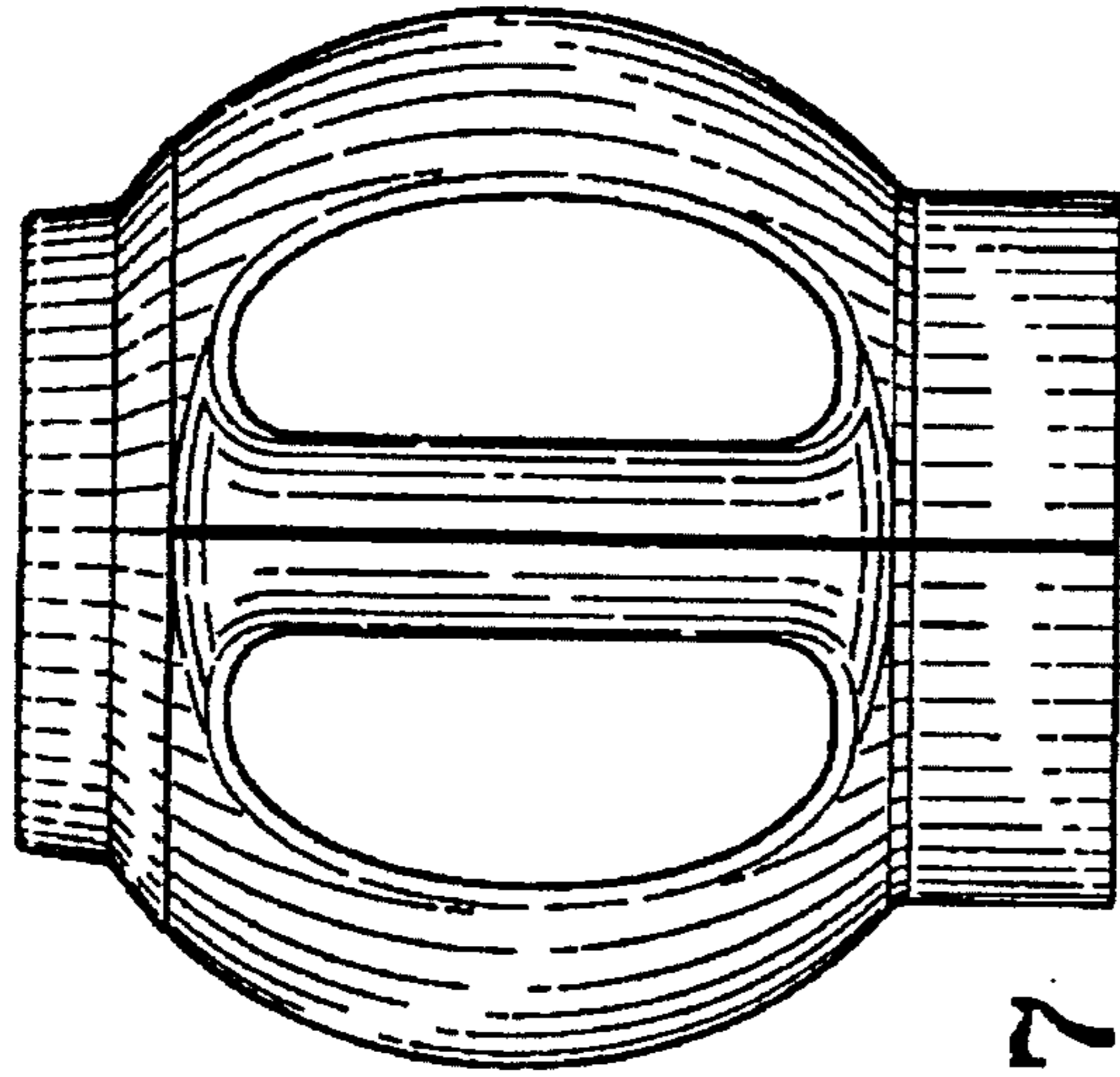


FIG-7

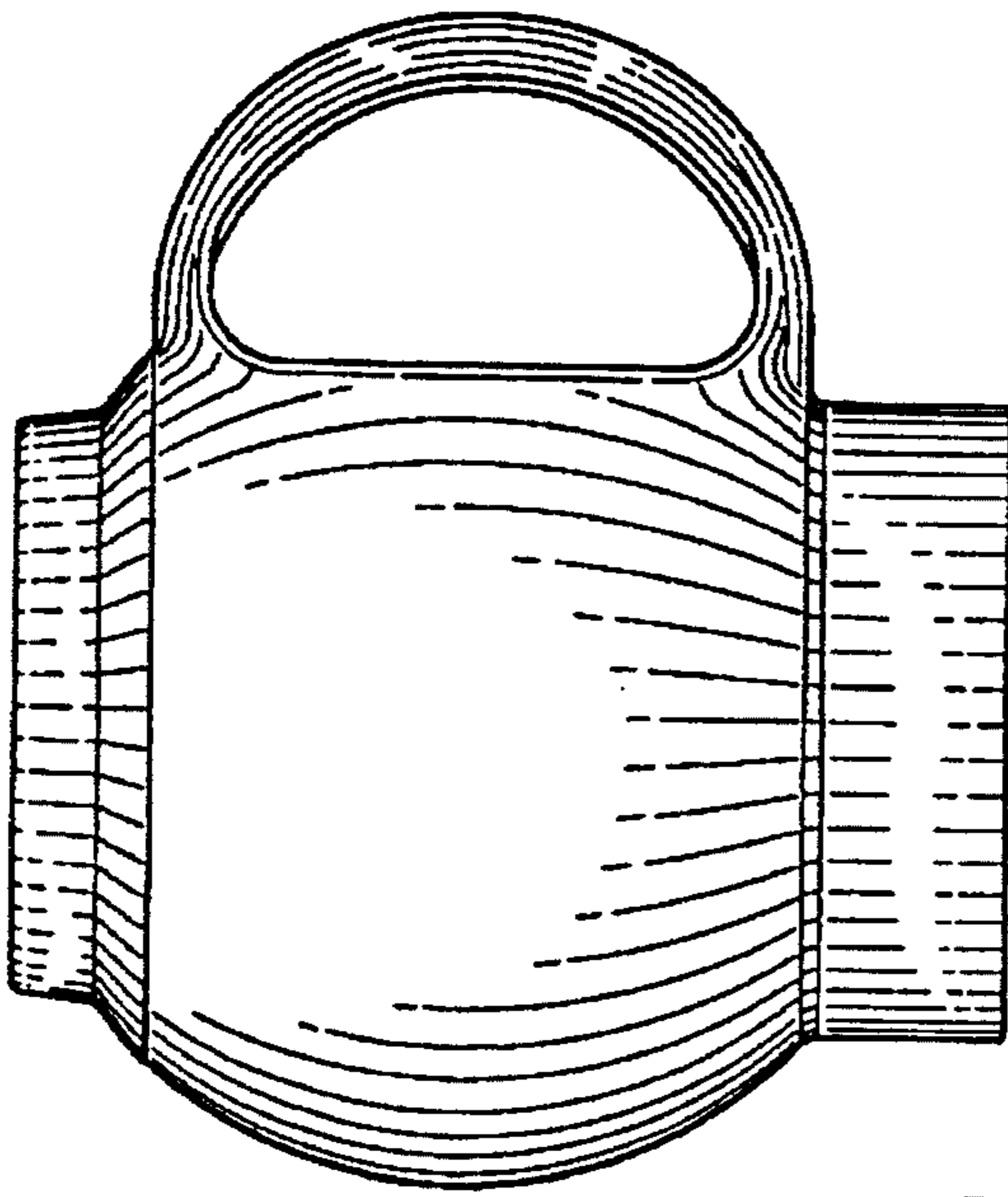


FIG-5

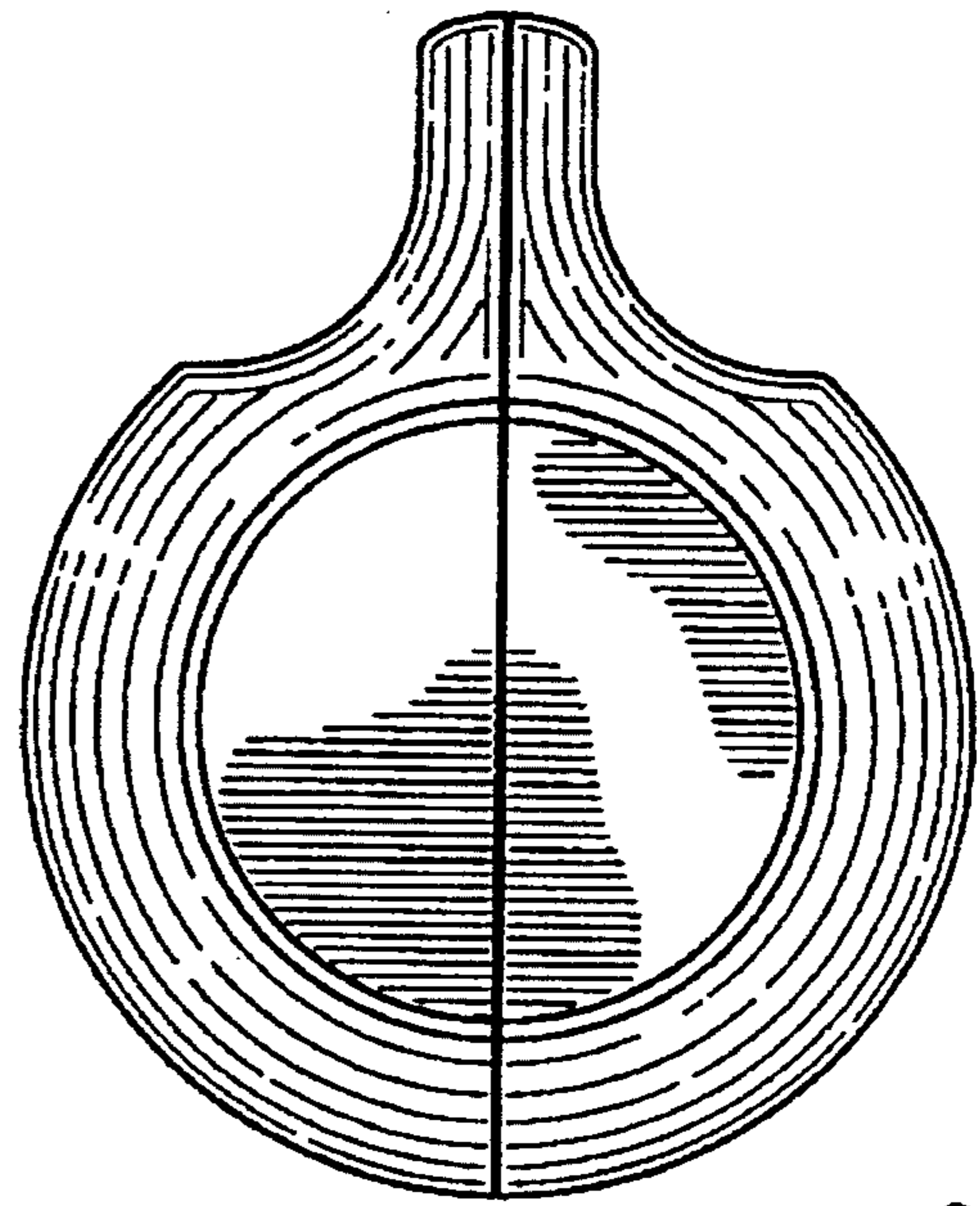
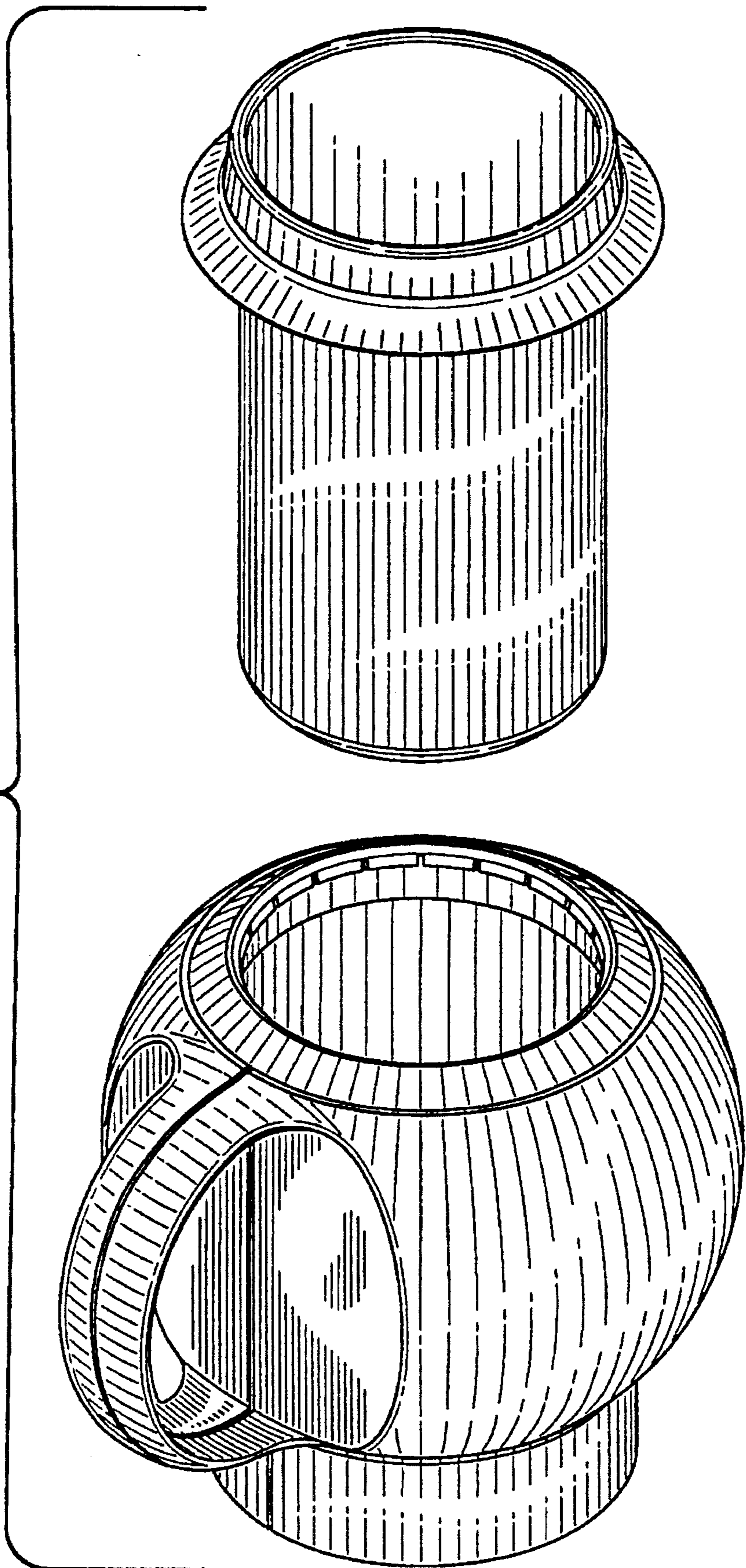


FIG-6

FIG-8



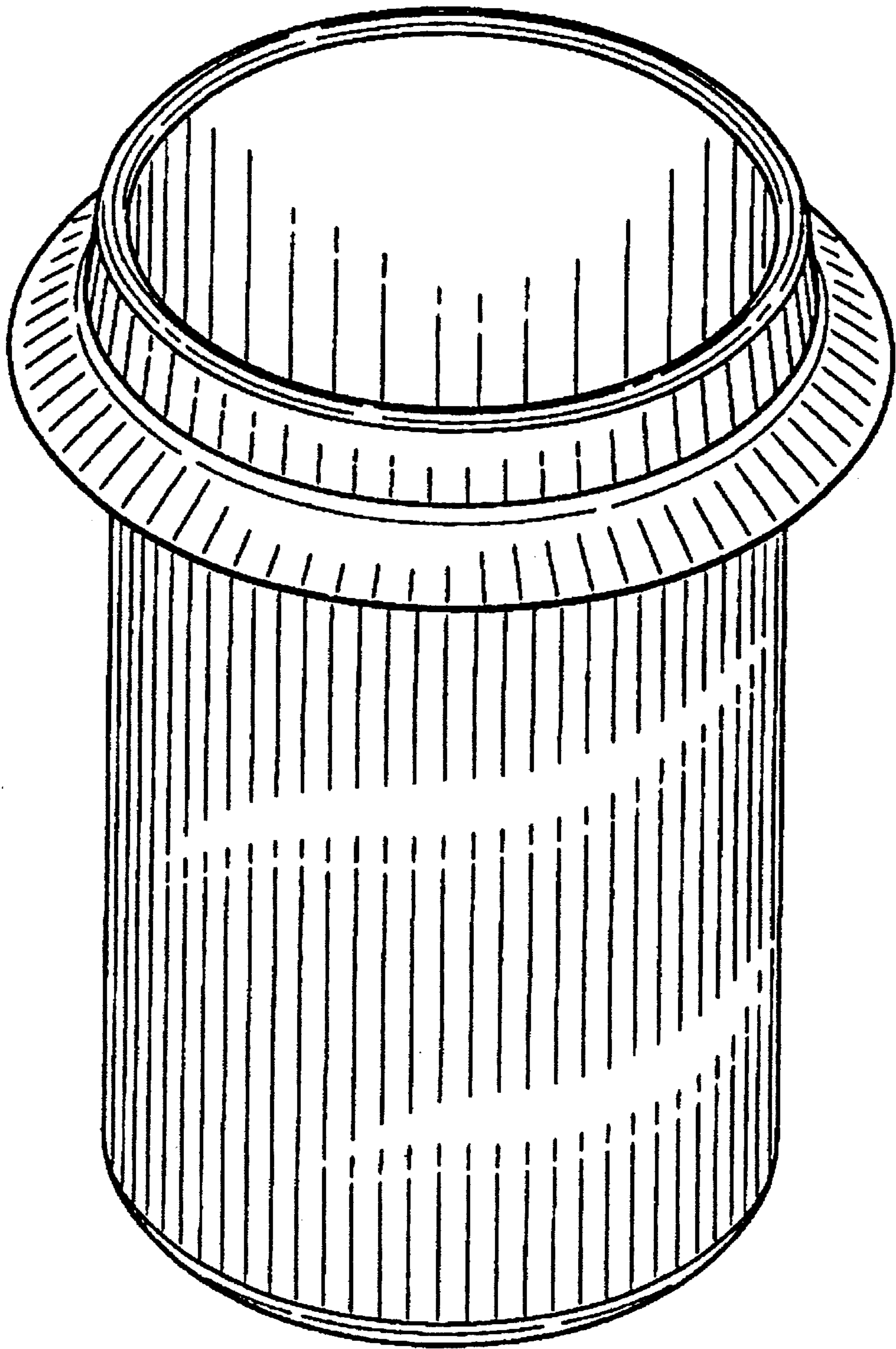


FIG-9

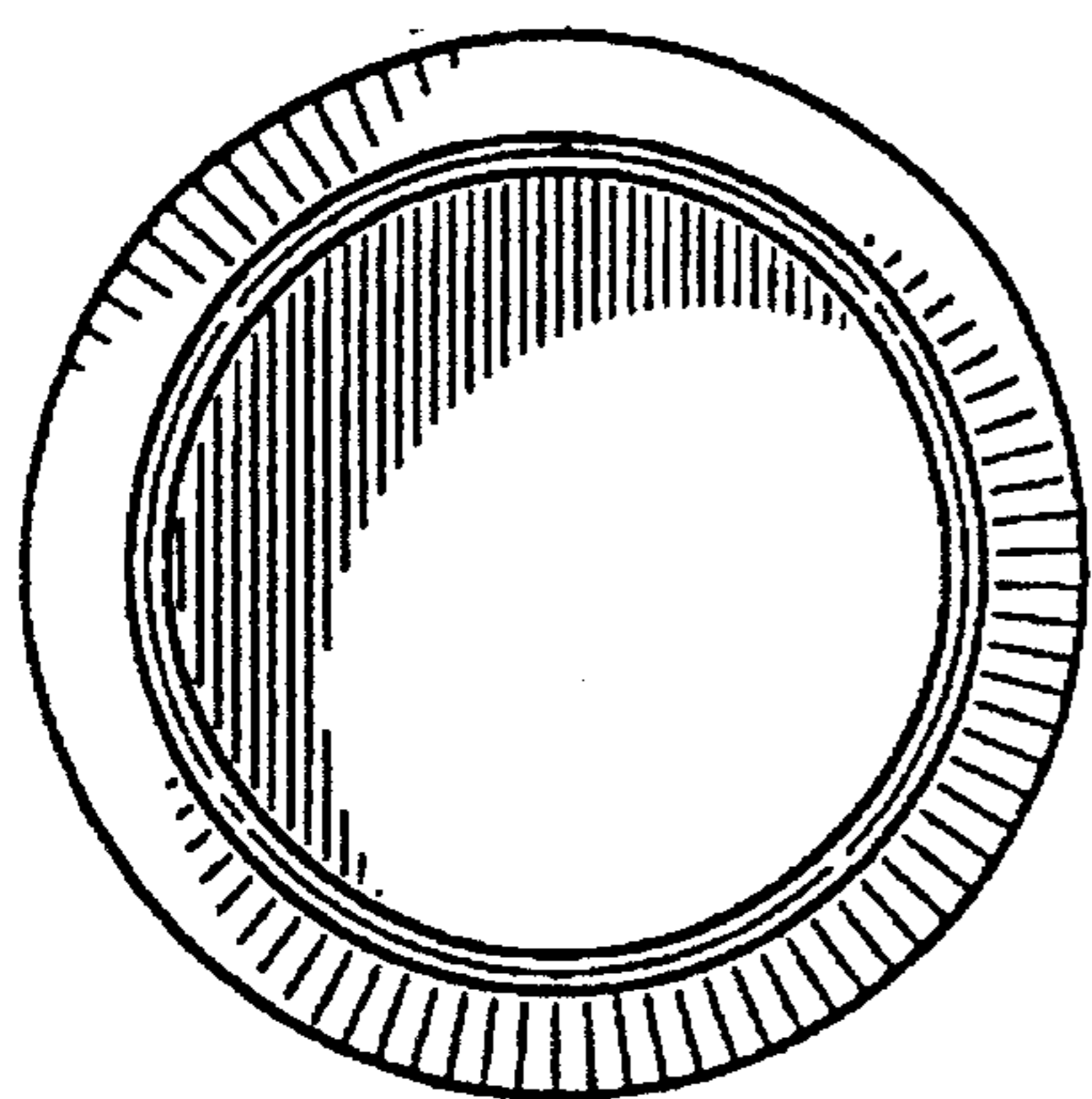


FIG-11

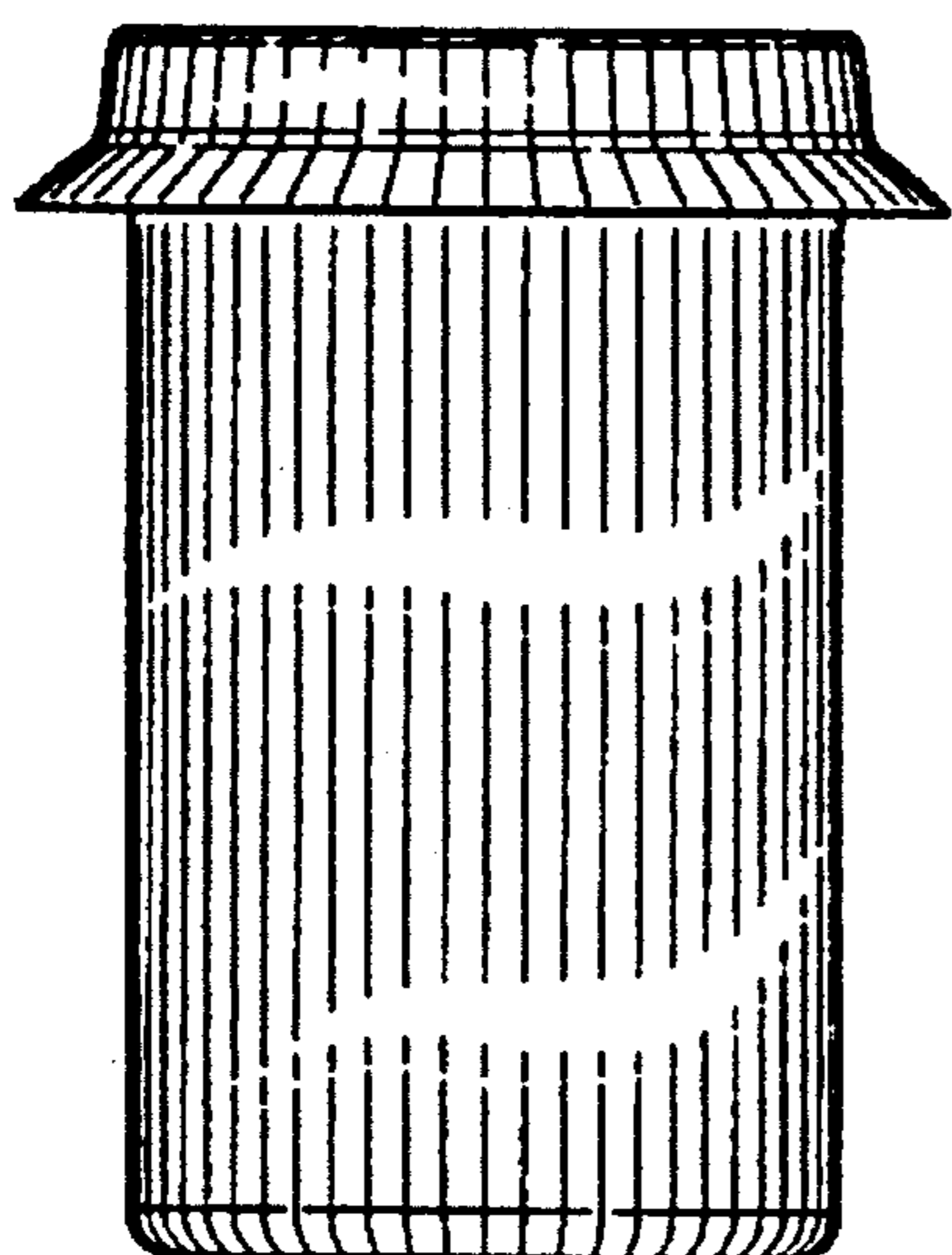


FIG-10

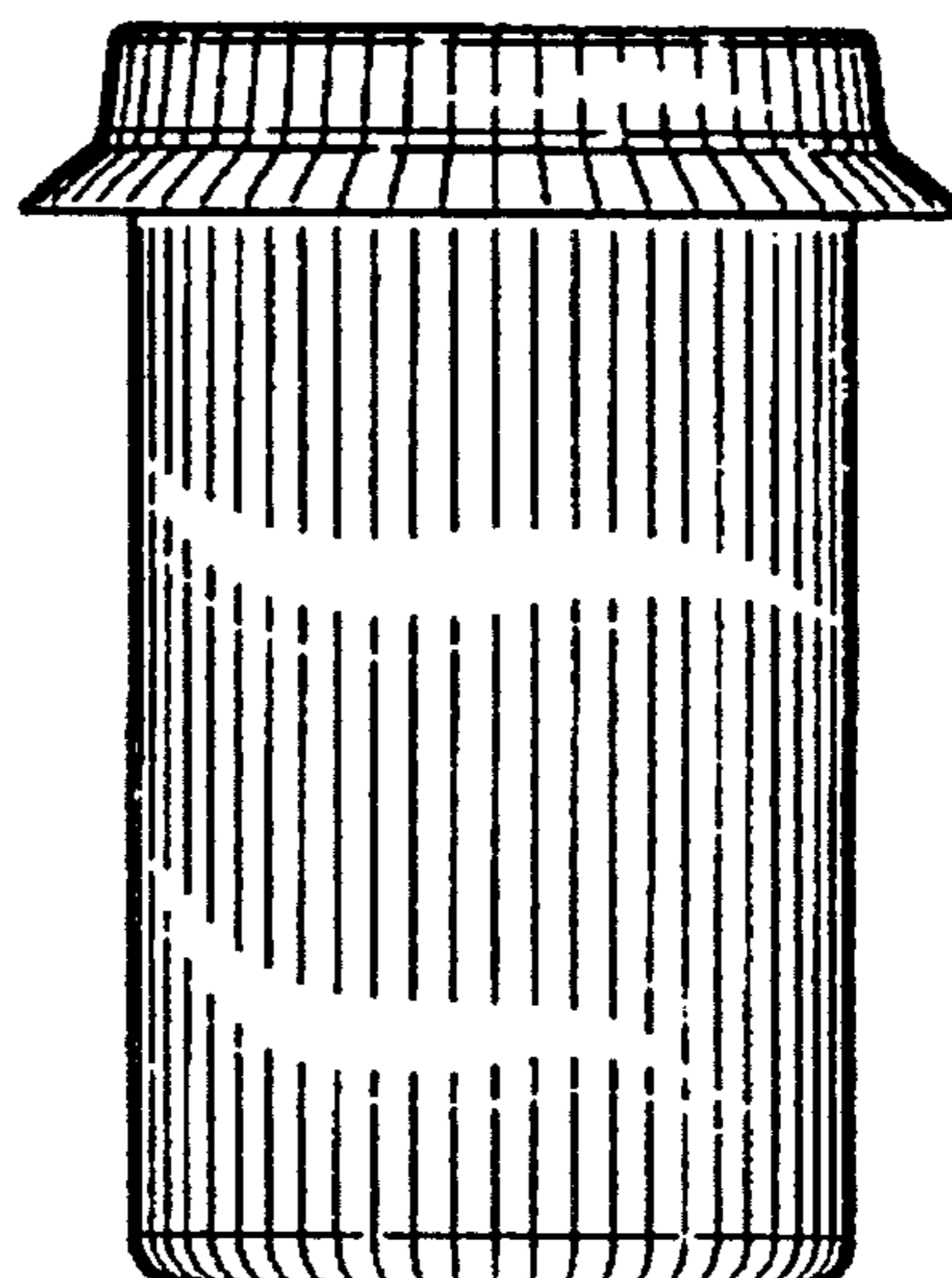


FIG-13

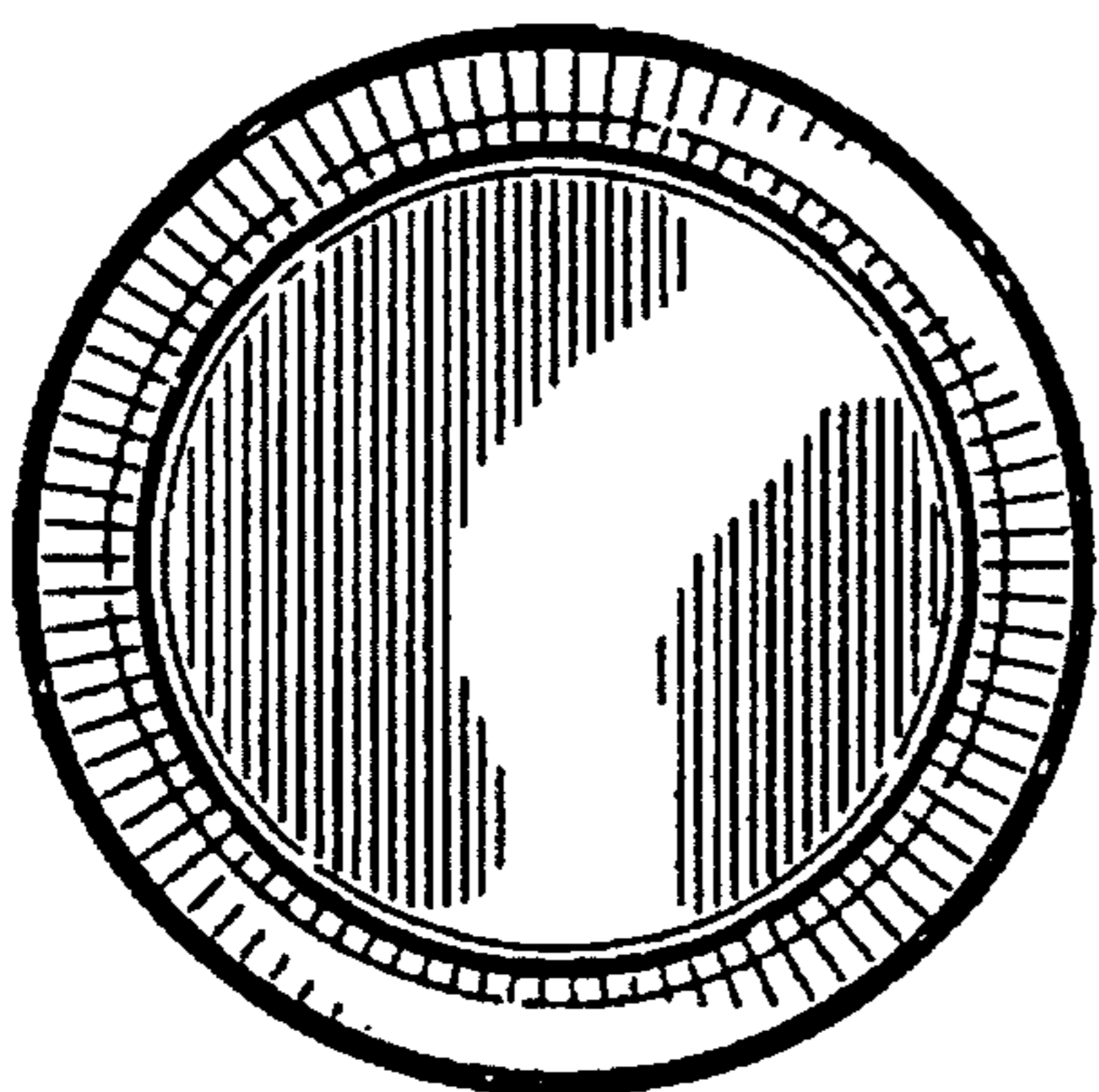


FIG-12

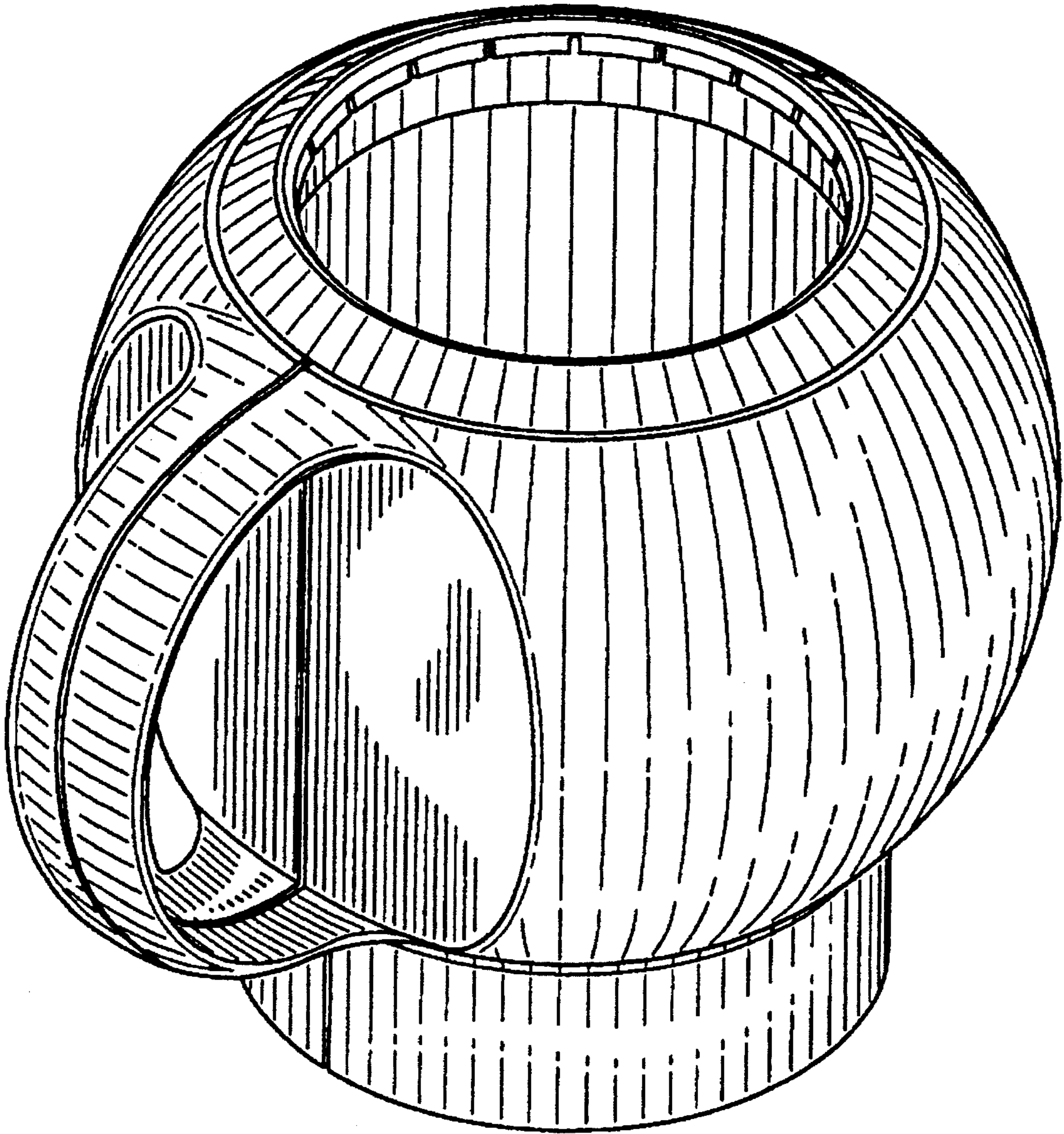


FIG-14

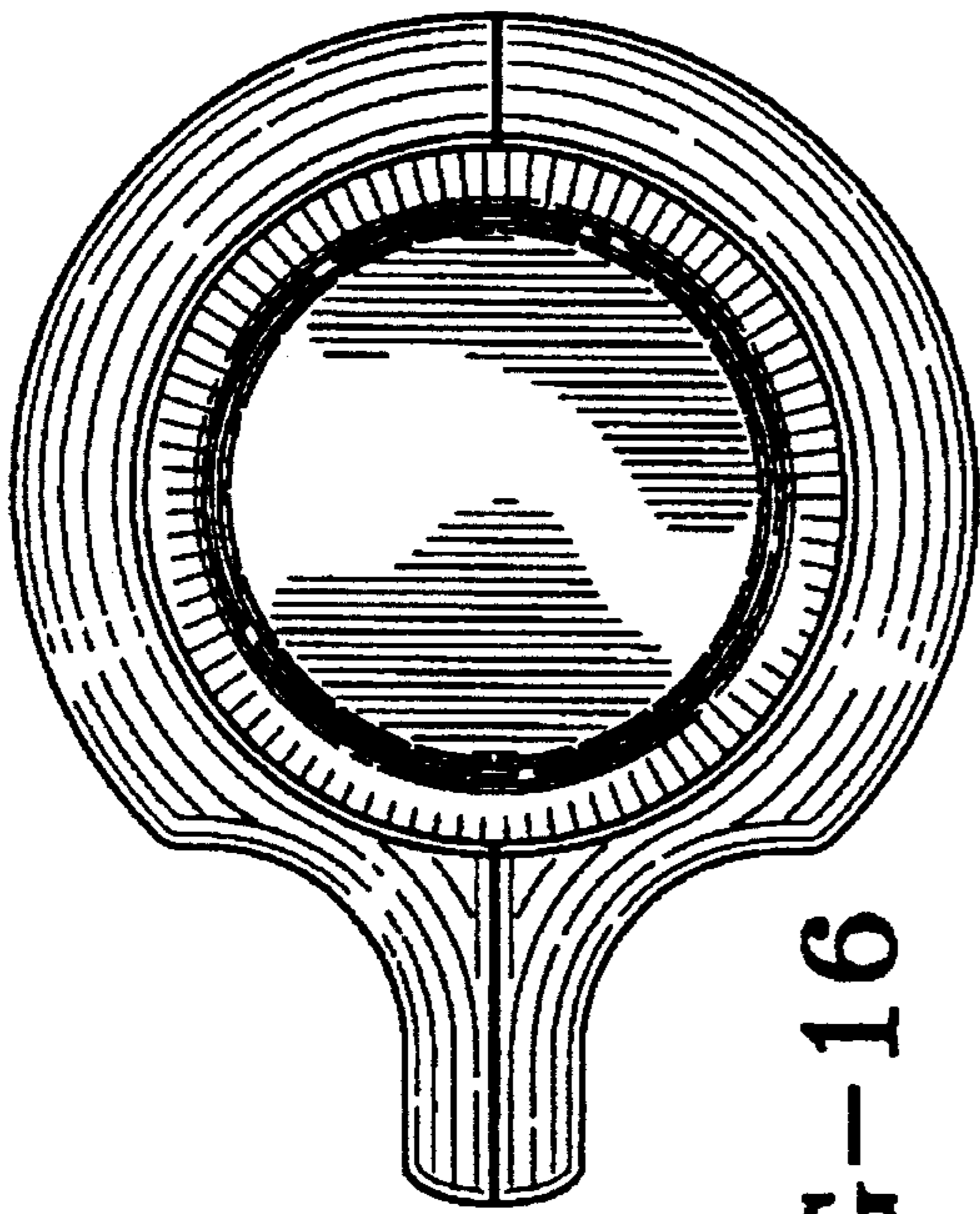


FIG-16

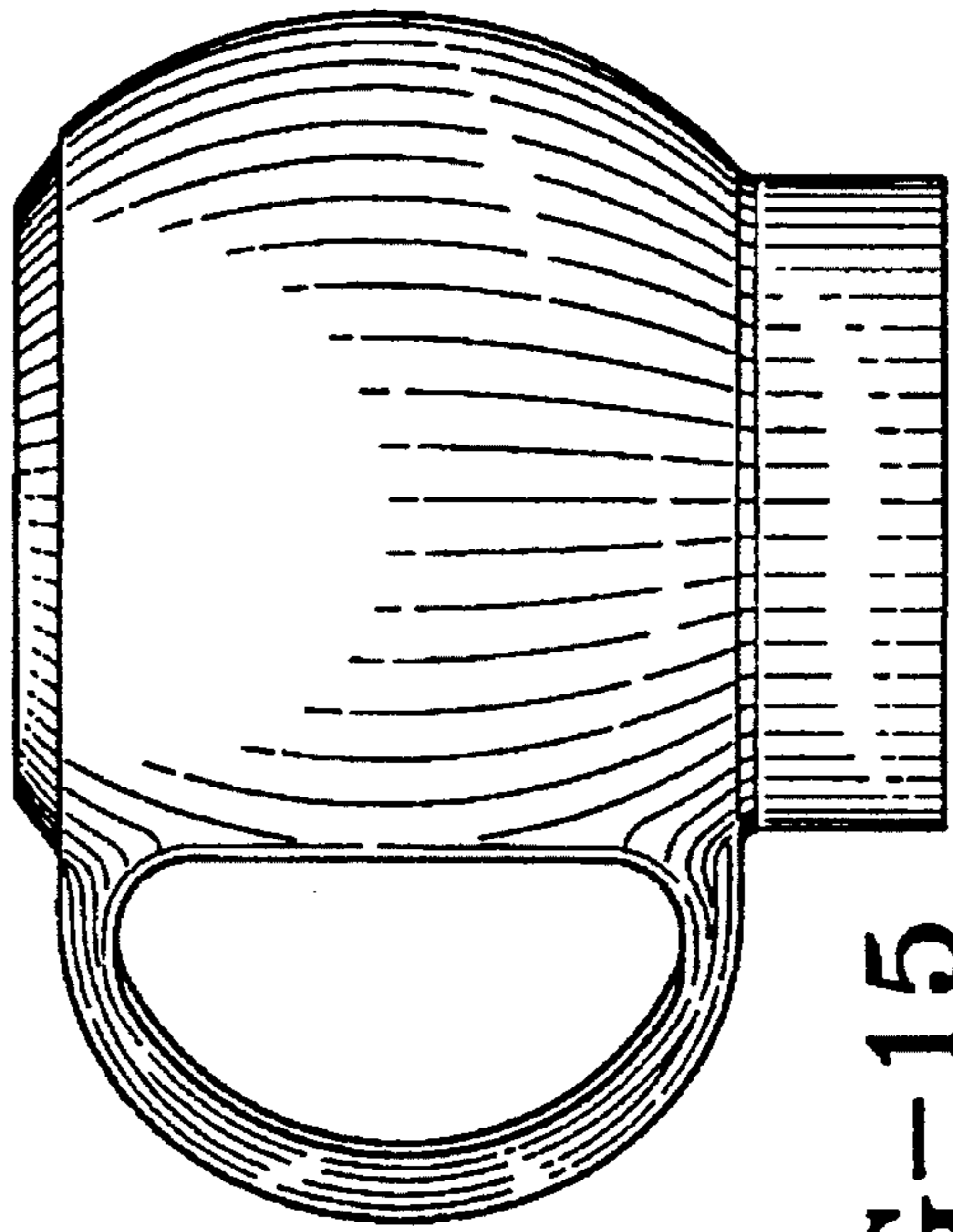


FIG-15

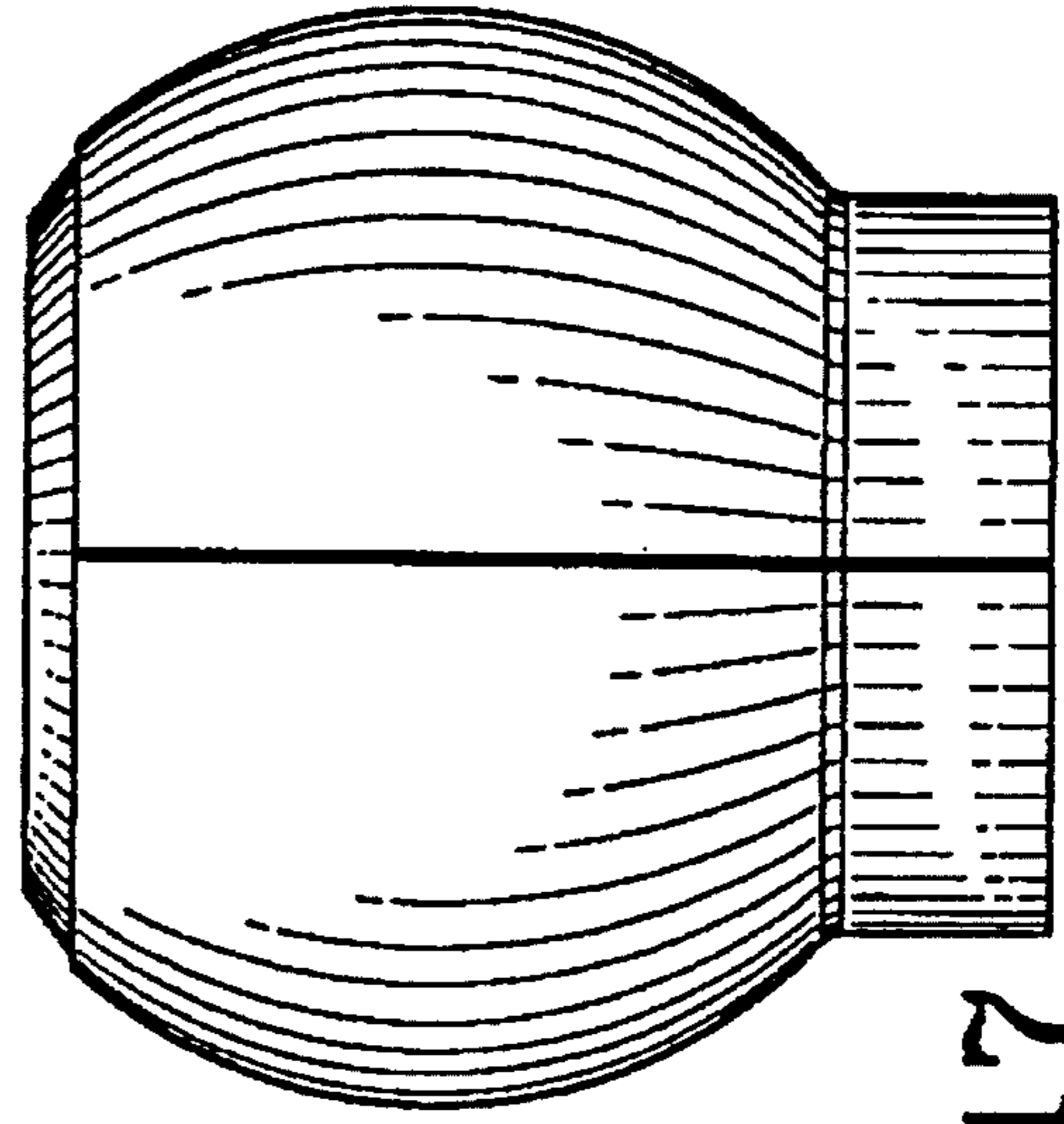


FIG-17

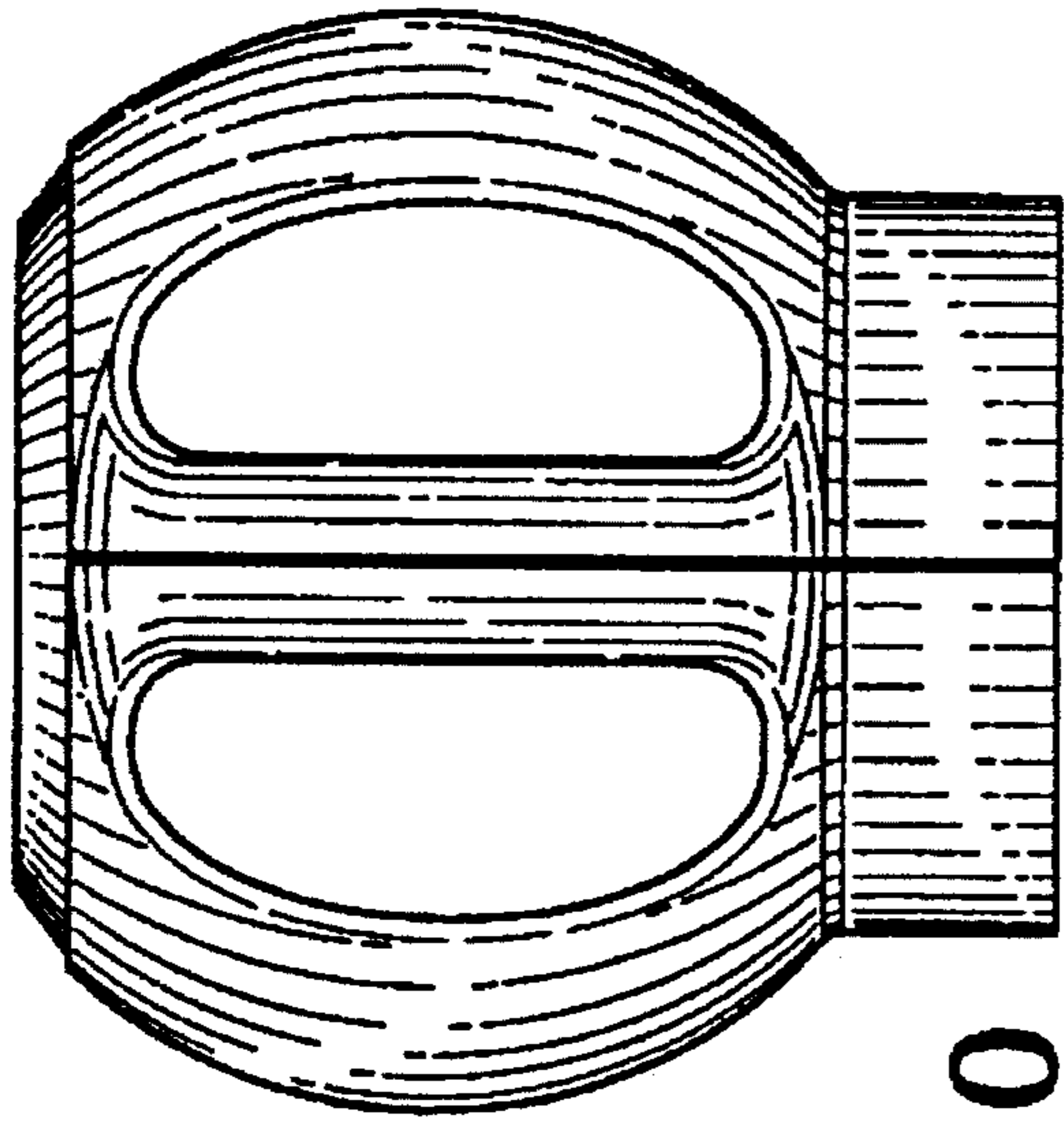


FIG-20

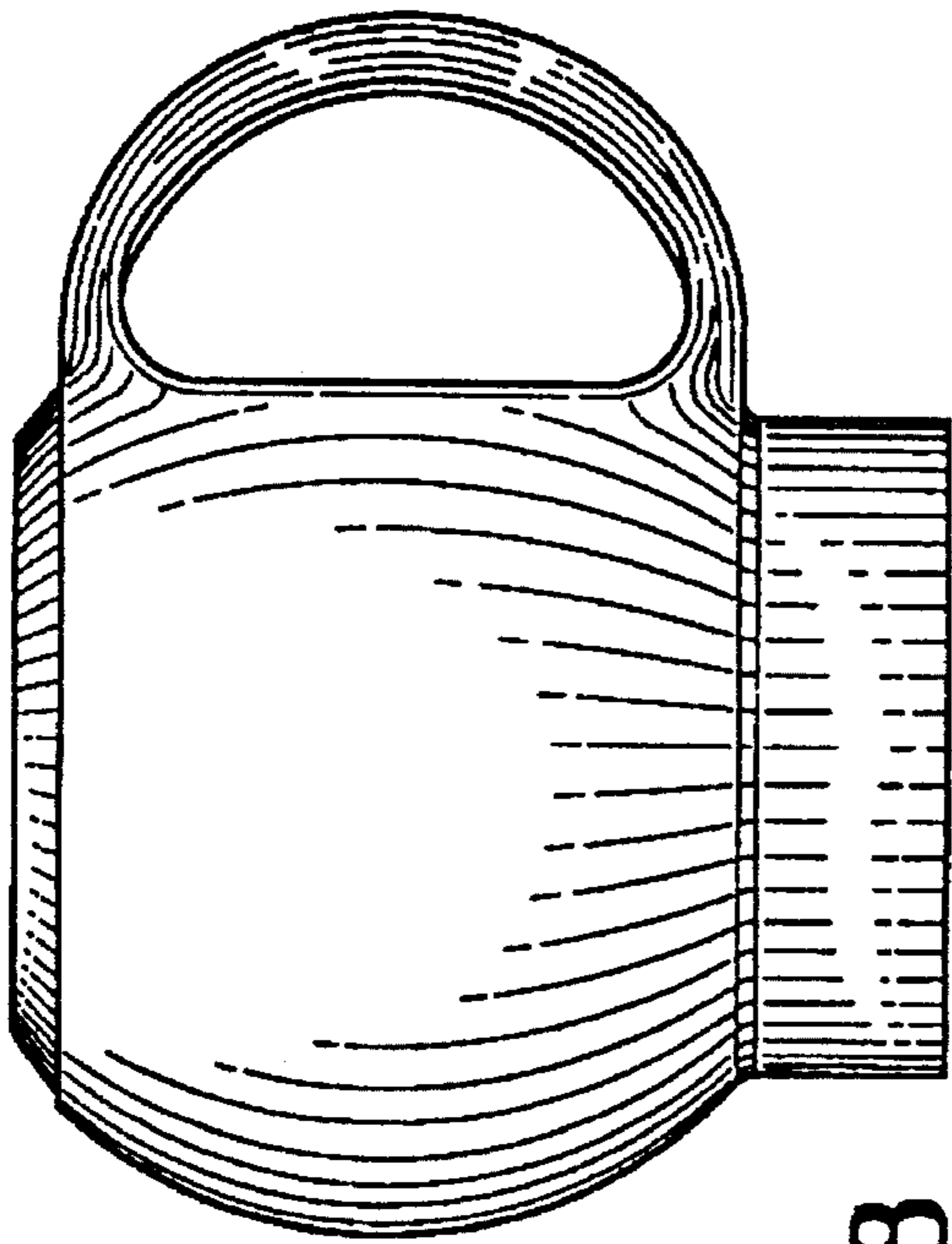


FIG-18

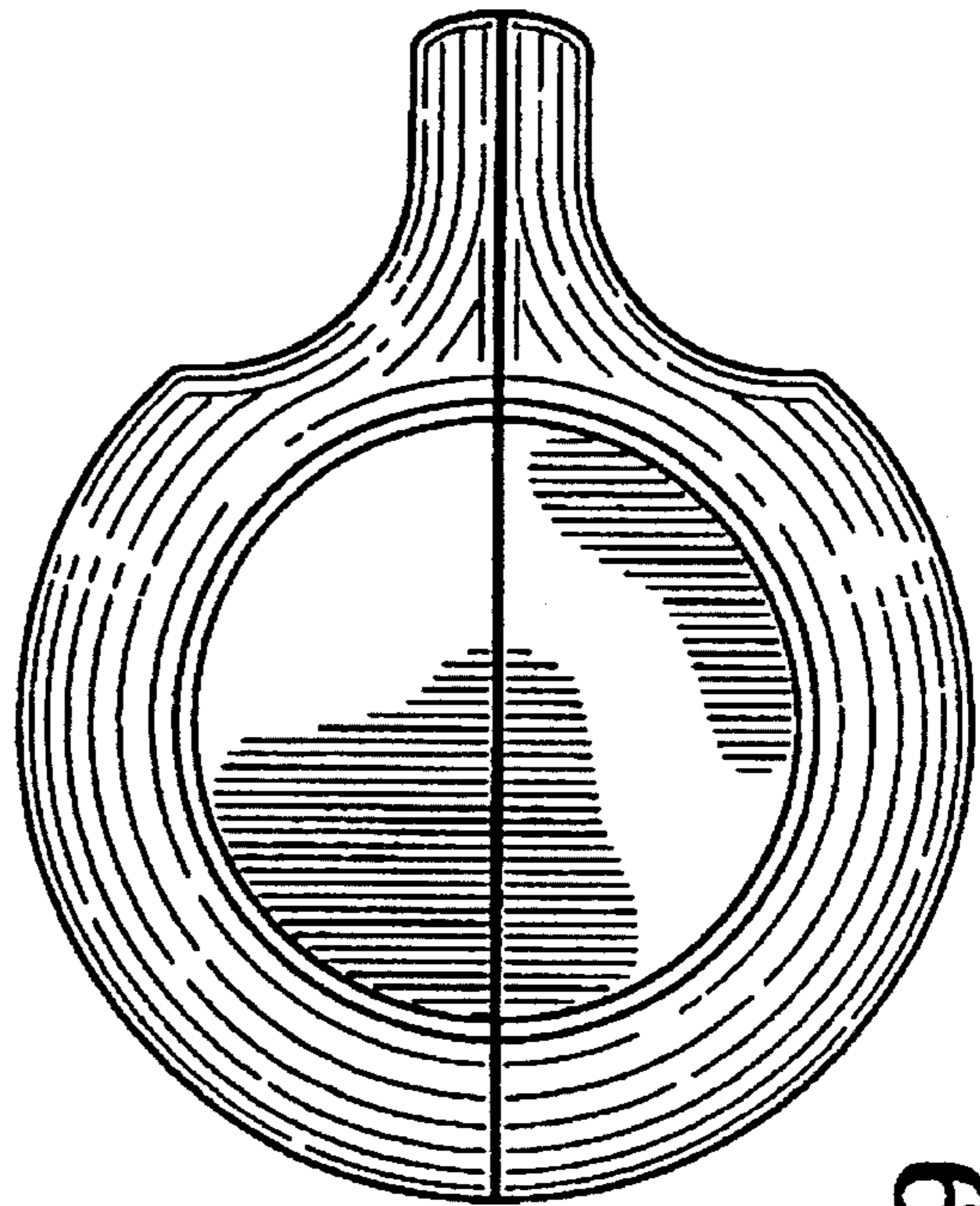


FIG-19