



US00D365725S

United States Patent [19]
Hasegawa

[11] **Patent Number:** **Des. 365,725**
[45] **Date of Patent:** ****Jan. 2, 1996**

[54] **HANDLE FOR A KNIFE**
[75] Inventor: **Katsumi Hasegawa**, Sagamihara, Japan
[73] Assignee: **Kai R & D Center Co., Ltd.**, Gifu, Japan
[**] Term: **14 Years**

[21] Appl. No.: **22,096**
[22] Filed: **Apr. 29, 1994**
[30] **Foreign Application Priority Data**
Oct. 29, 1993 [JP] Japan 5-32915
[52] **U.S. Cl.** **D7/401.2; D7/649; D22/118**
[58] **Field of Search** **D7/645, 649, 650, D7/401.2; D22/118; 30/340, 147-150**

[56] **References Cited**
U.S. PATENT DOCUMENTS
D. 158,906 6/1950 Stacker D22/118
D. 333,239 2/1993 Pogue D7/649
D. 348,818 7/1994 Hasegawa D22/118 X
4,180,909 1/1980 Lind D7/650 X
4,825,552 5/1989 Bendickson et al. D7/649 X

FOREIGN PATENT DOCUMENTS
465258 5/1937 United Kingdom D7/649 X

Primary Examiner—Alan P. Douglas
Assistant Examiner—Caron D. Veynar
Attorney, Agent, or Firm—Nawrocki, Rooney & Sivertson

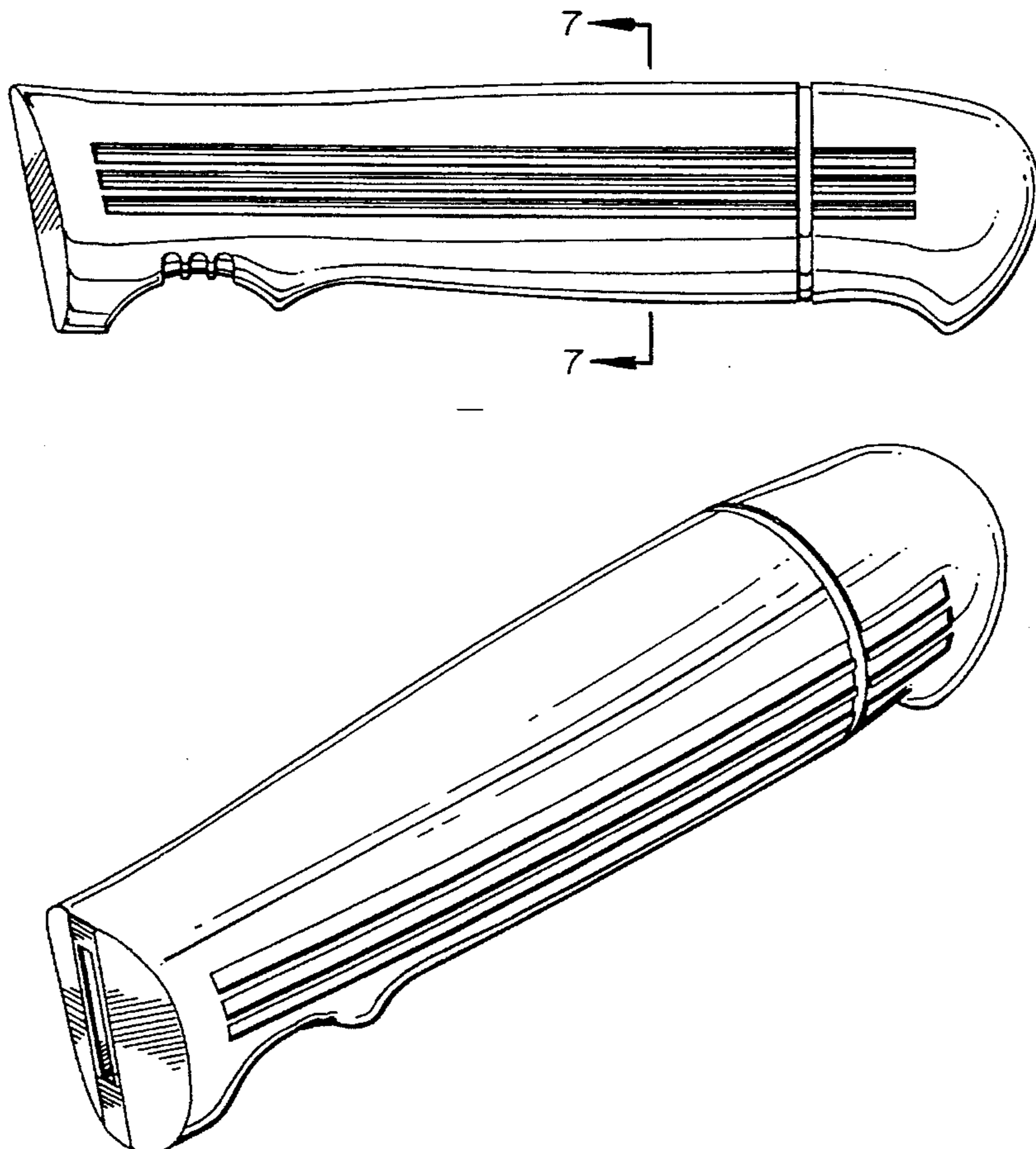
[57] **CLAIM**

The ornamental design for a handle for a knife, as shown and described.

DESCRIPTION

FIG. 1 is a top plan view of a handle for a knife having ornamental design in accordance with the present invention; FIG. 2 is a front view thereof, the rear view being a mirror image thereof; FIG. 3 is a bottom plan view thereof; FIG. 4 is a left side view thereof; FIG. 5 is a right side view thereof; FIG. 6 is a cross-sectional view thereof taken along line 6—6 of FIG. 1; FIG. 7 is a cross-sectional view thereof taken along line 7—7 of FIG. 2; FIG. 8 is an exploded front view thereof with the cap removed; FIG. 9 is a front view thereof, the broken line showing of a blade is for illustrative purposes only and forms no part of the claimed design; FIG. 10 is a front perspective view thereof; and, FIG. 11 is a rear perspective view thereof.

1 Claim, 5 Drawing Sheets



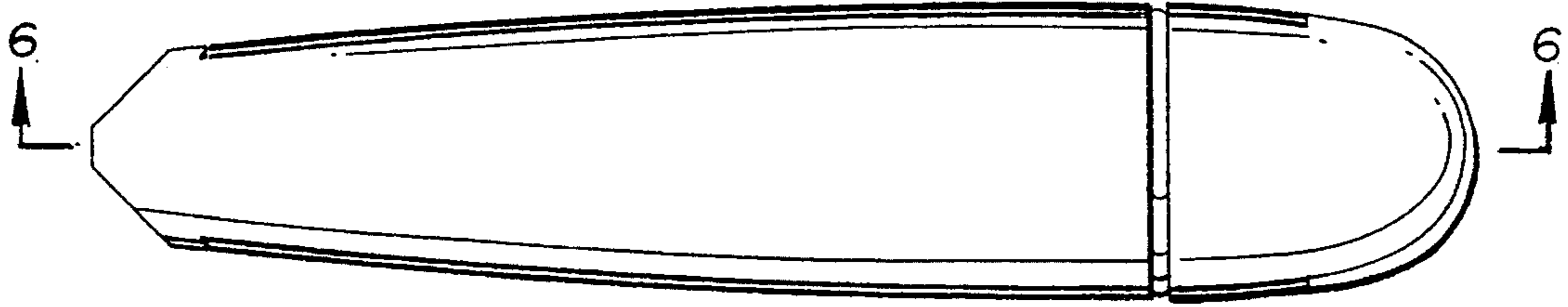


Fig. 1

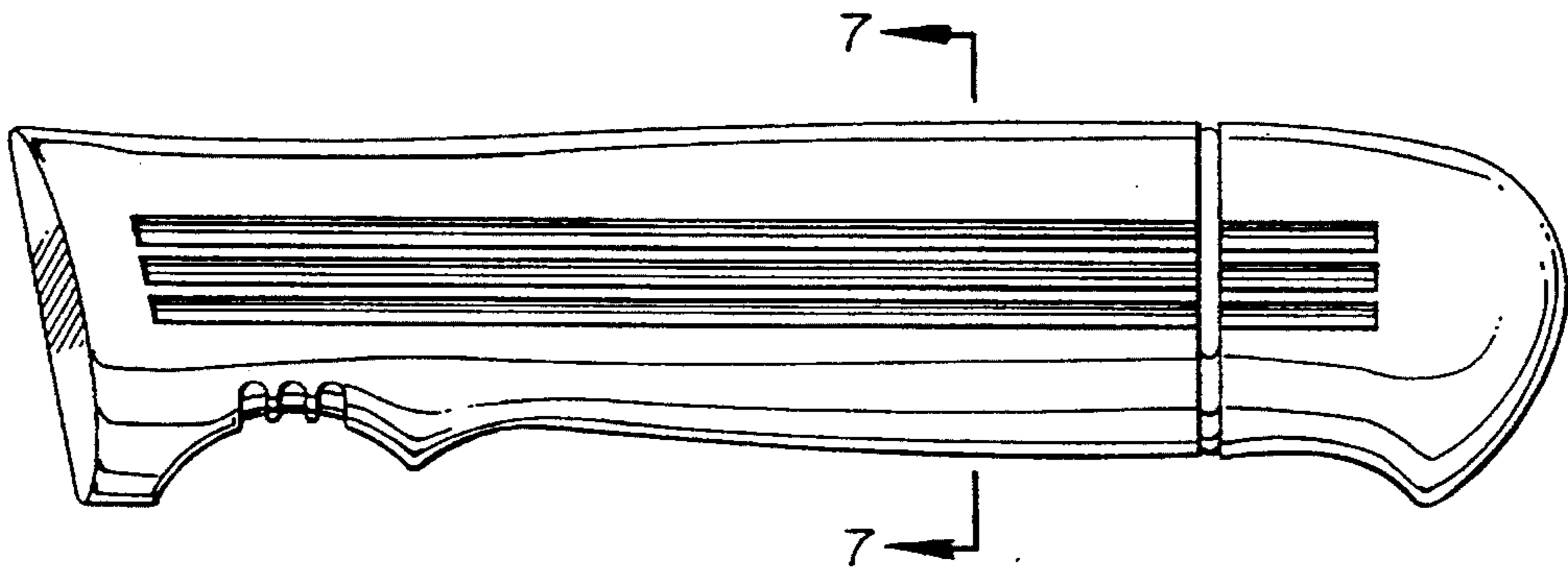


Fig. 2

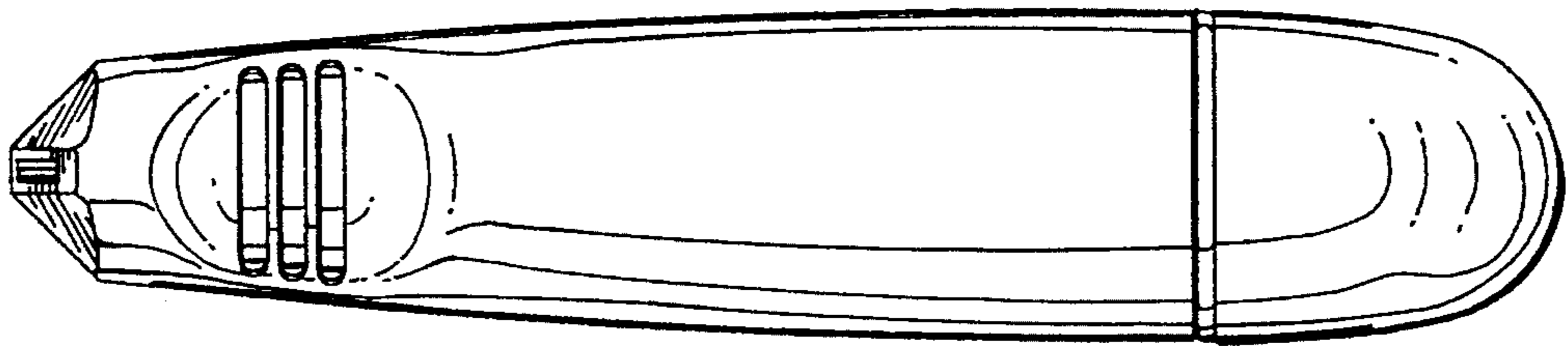


Fig. 3

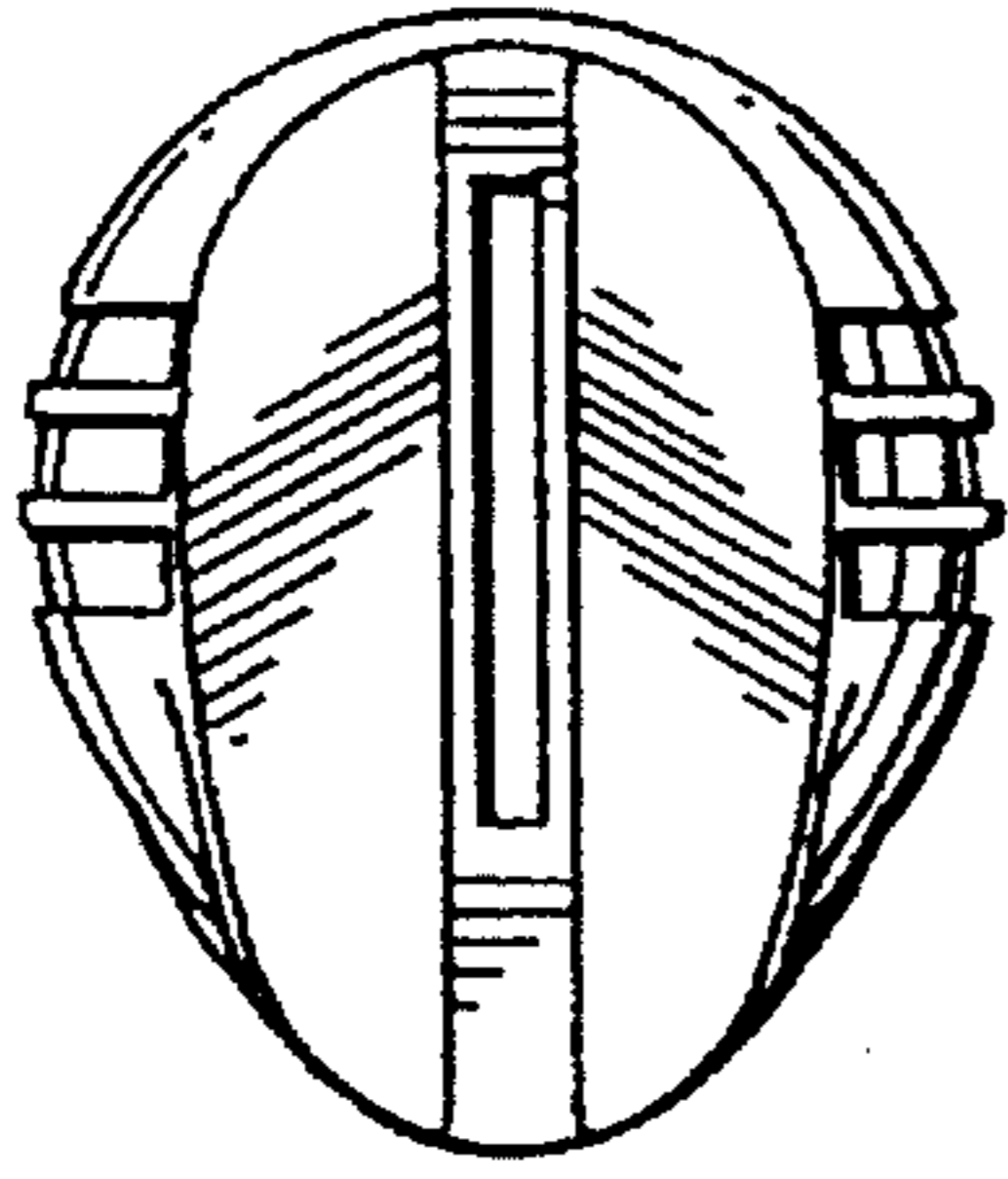


Fig. 4

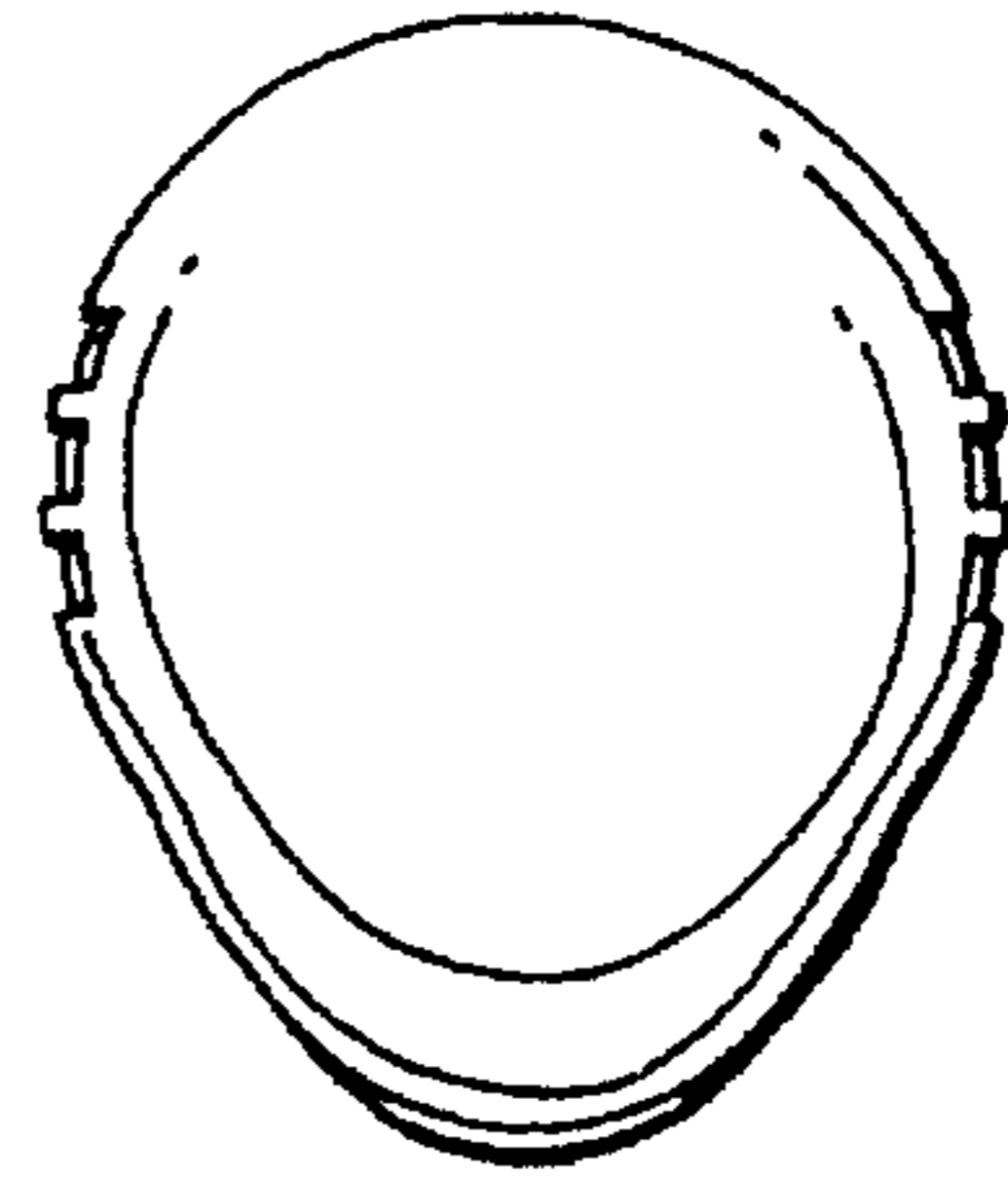


Fig. 5

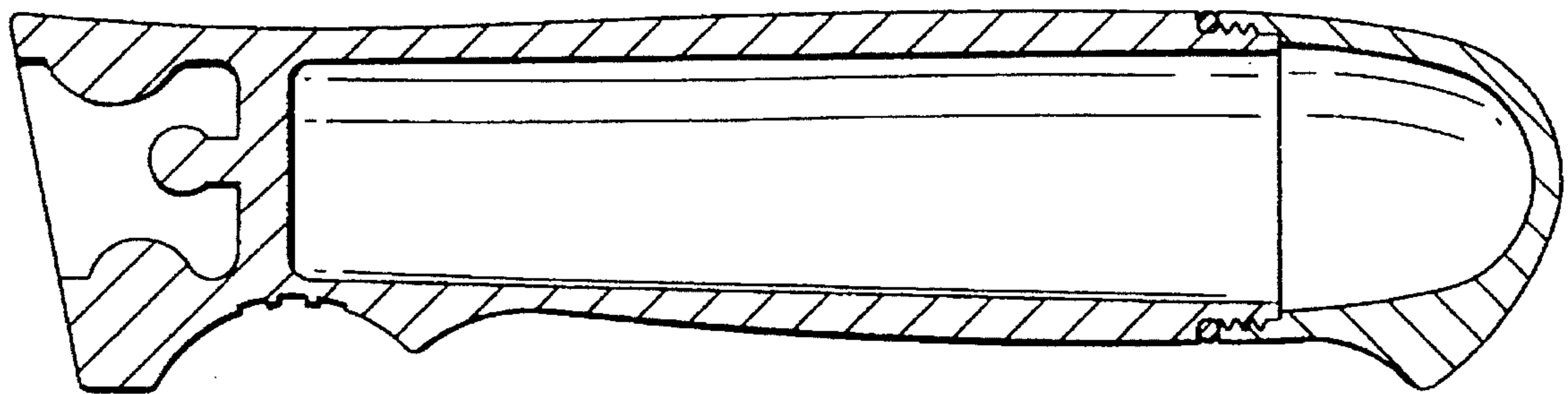


Fig. 6

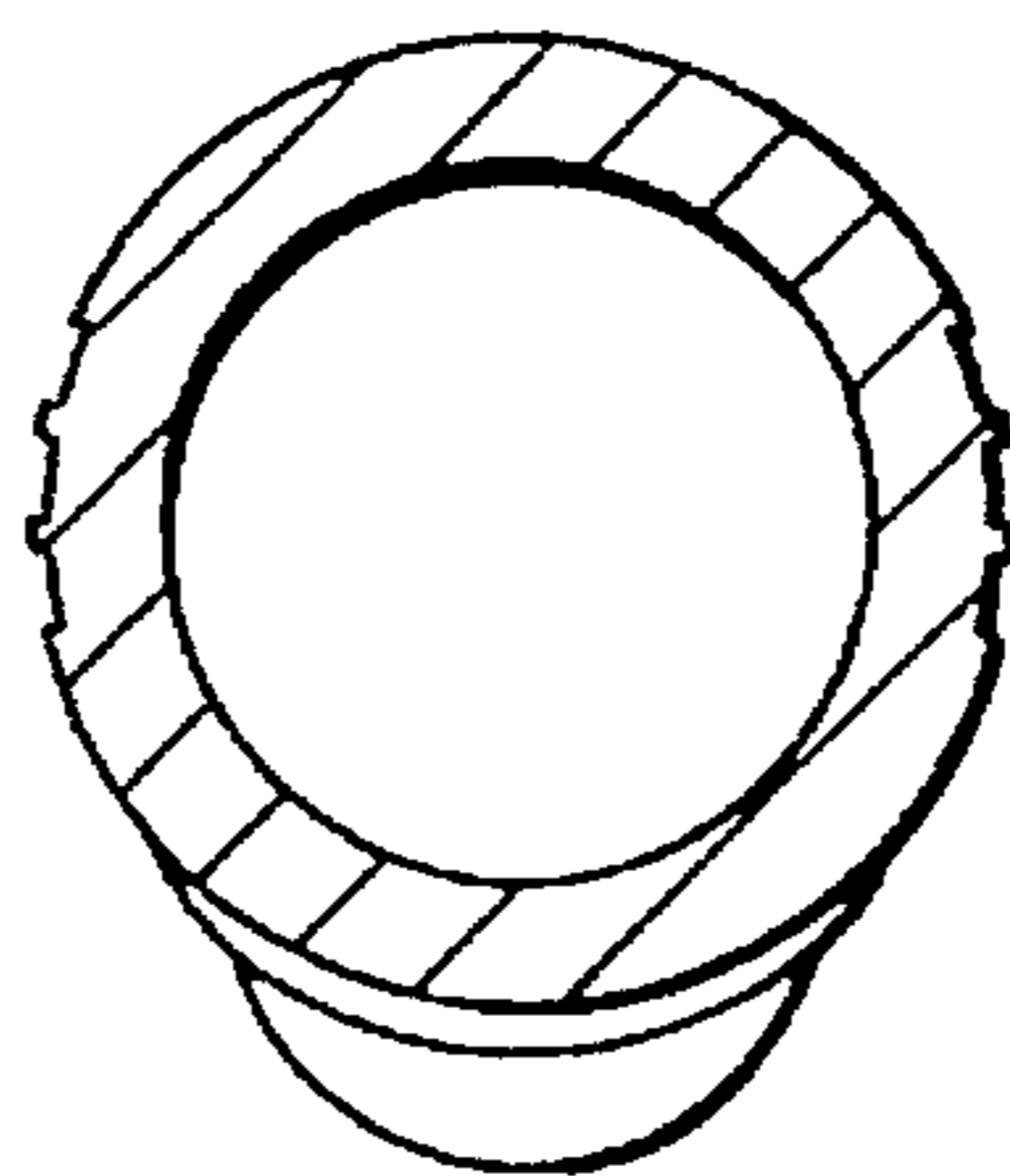


Fig. 7

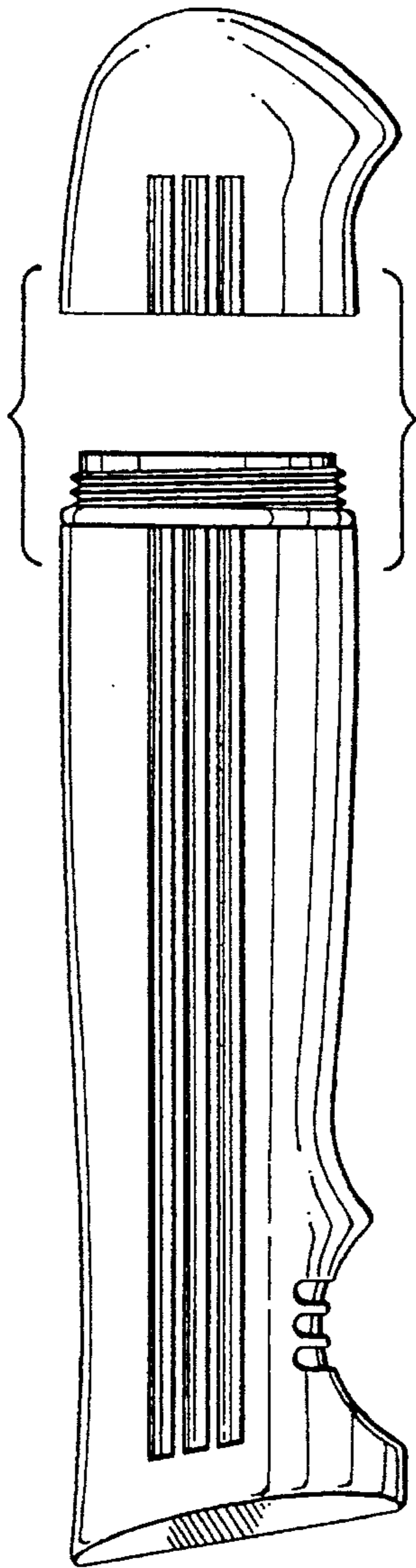


Fig. 8

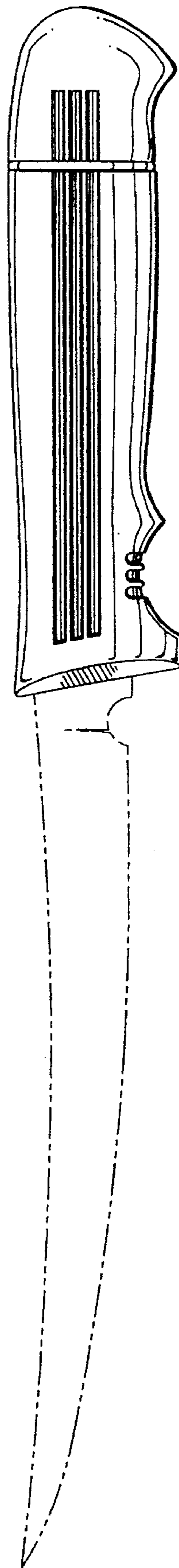


Fig. 9

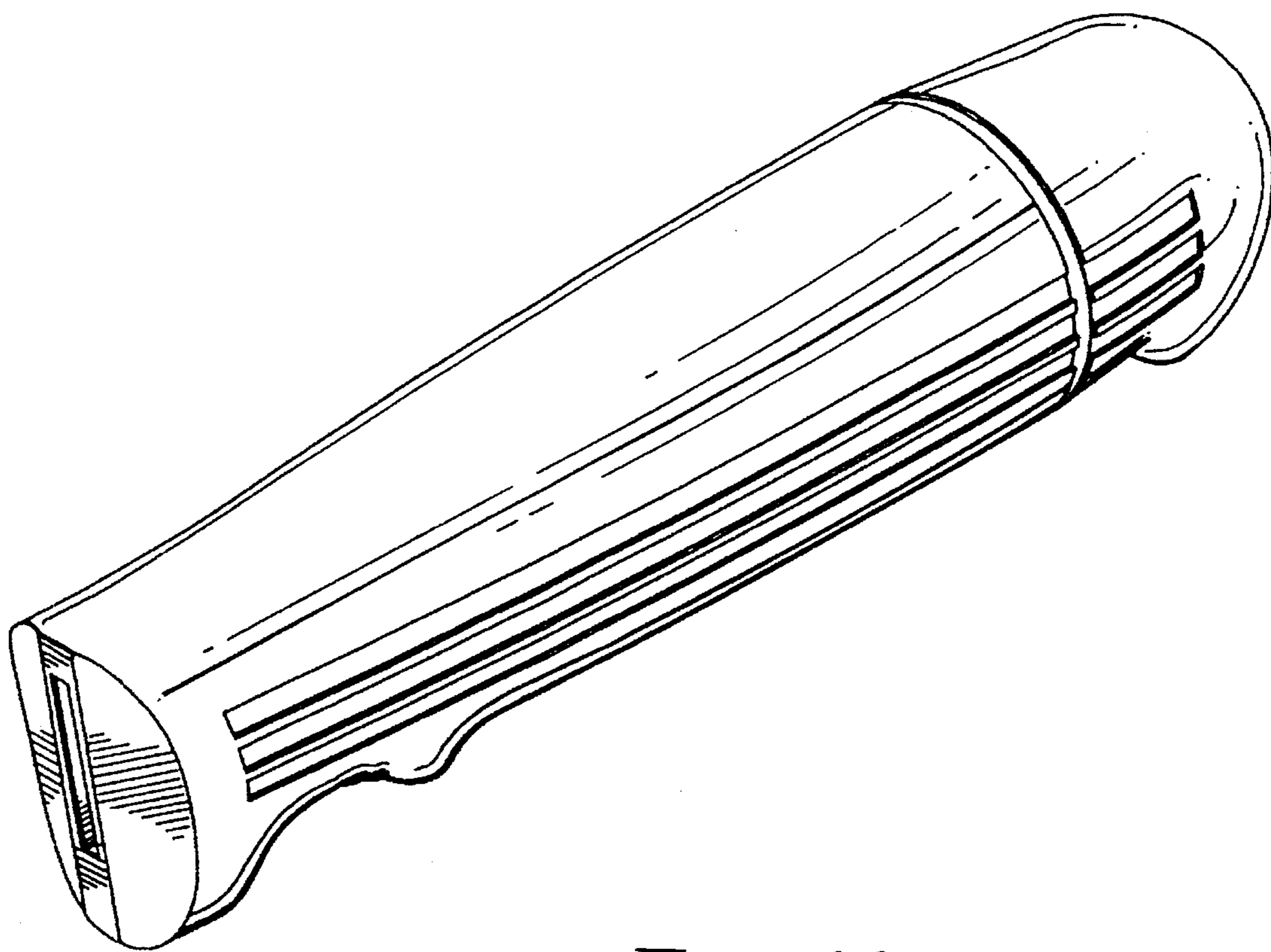


Fig. 10

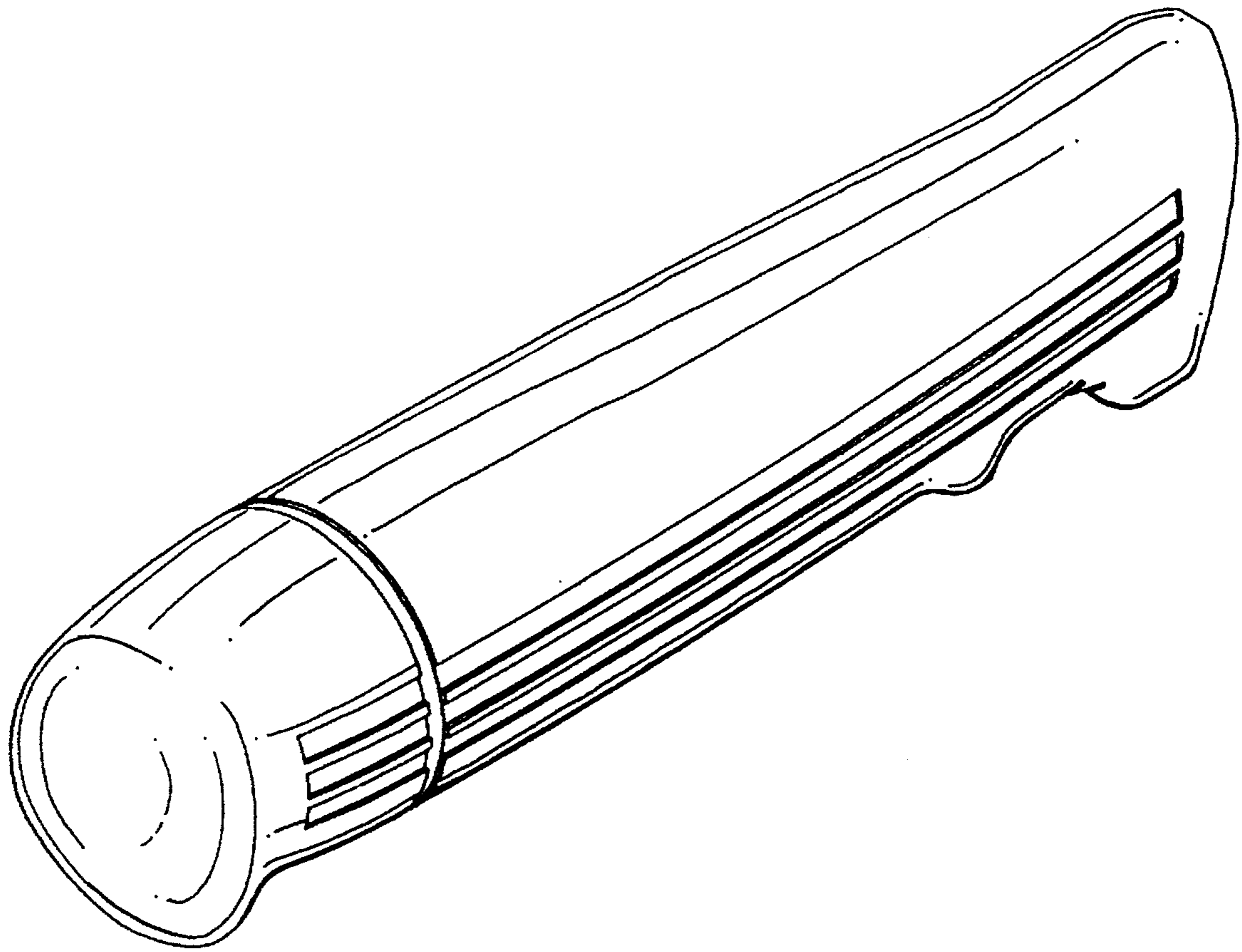


Fig. 11