



US00D365724S

United States Patent [19]

Yu

[11] Patent Number: **Des. 365,724**

[45] Date of Patent: ****Jan. 2, 1996**

[54] **CHAFING DISH**

[75] Inventor: **Henry T. Yu**, Kowloon, Hong Kong
[73] Assignee: **Sunnex Products Limited**, Hong Kong
[**] Term: **14 Years**

[21] Appl. No.: **30,883**
[22] Filed: **Nov. 10, 1994**

[30] **Foreign Application Priority Data**
May 20, 1994 [GB] United Kingdom 2039187
[52] **U.S. Cl.** **D7/355; D7/366**
[58] **Field of Search** **D7/354, 355, 360,**
D7/365, 366, 538; 99/339, 403, 410-417,
449; 126/9 R

[56] **References Cited**
U.S. PATENT DOCUMENTS

D. 146,832	5/1947	O'Connell	D7/355
D. 168,905	2/1953	O'Connell	D7/355
4,320,849	3/1982	Yellin	D7/538 X
4,332,188	6/1982	Rhear	D7/354 X
5,287,800	2/1994	Orednick	126/9 R X

OTHER PUBLICATIONS

Foodservice Equipment & Supplies Specialist; May 1989; p. 117; Bottom two chafing dishes.
Foodservice Equipment & Supplies Specialist; Jun. 1989, p. 26; Chafing dishes at bottom.

Primary Examiner—Alan P. Douglas
Assistant Examiner—Caron D. Veynar
Attorney, Agent, or Firm—Saidman Design Law Group

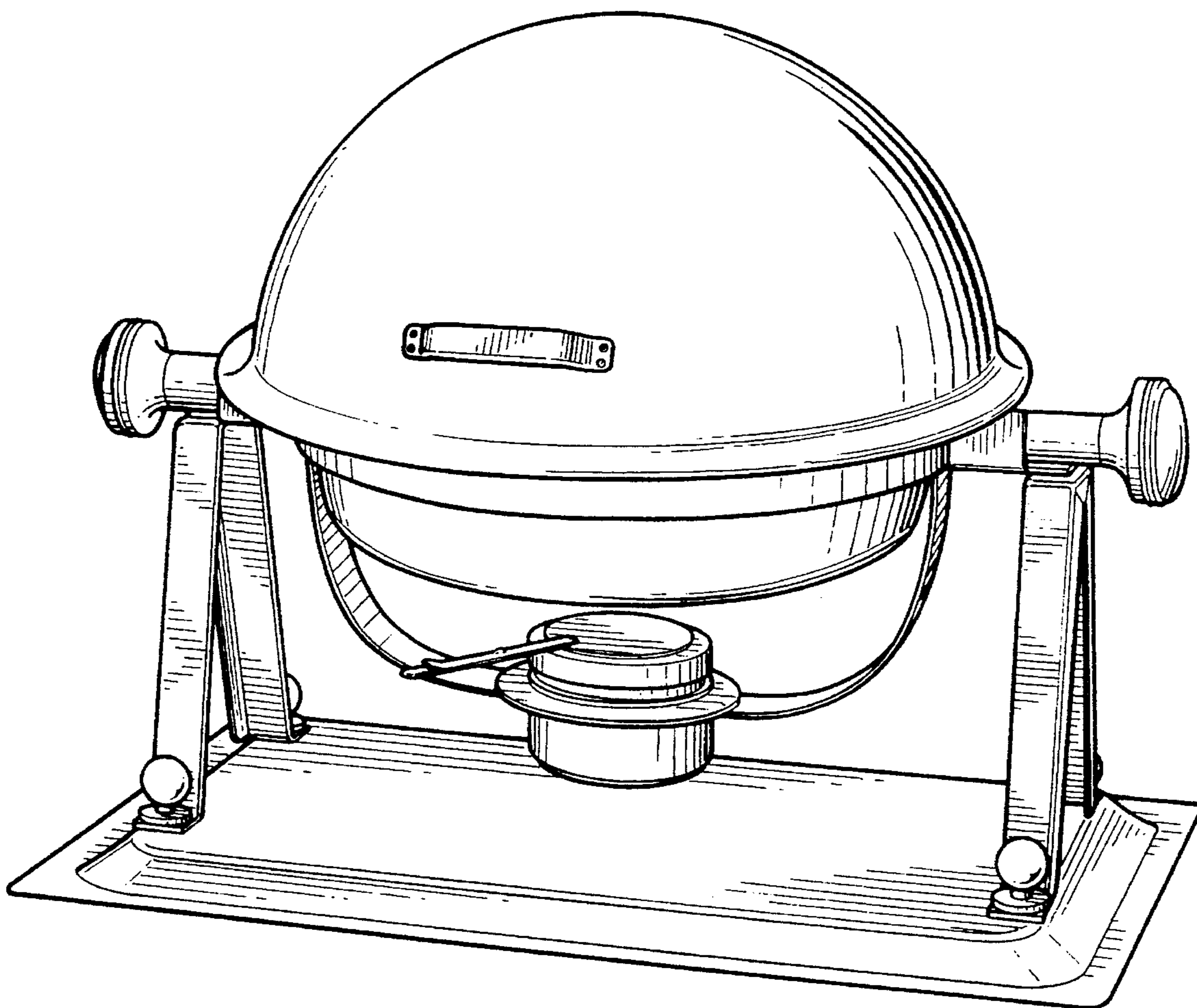
[57] **CLAIM**

The ornamental design for a chafing dish, as shown and described.

DESCRIPTION

FIG. 1 is a perspective front view of a chafing dish showing my new design;
FIG. 2 is a top plan view thereof;
FIG. 3 is an end view thereof, the opposite end being the mirror image thereof; and,
FIG. 4 is a rear view thereof.
The bottom is flat and plain.

1 Claim, 2 Drawing Sheets



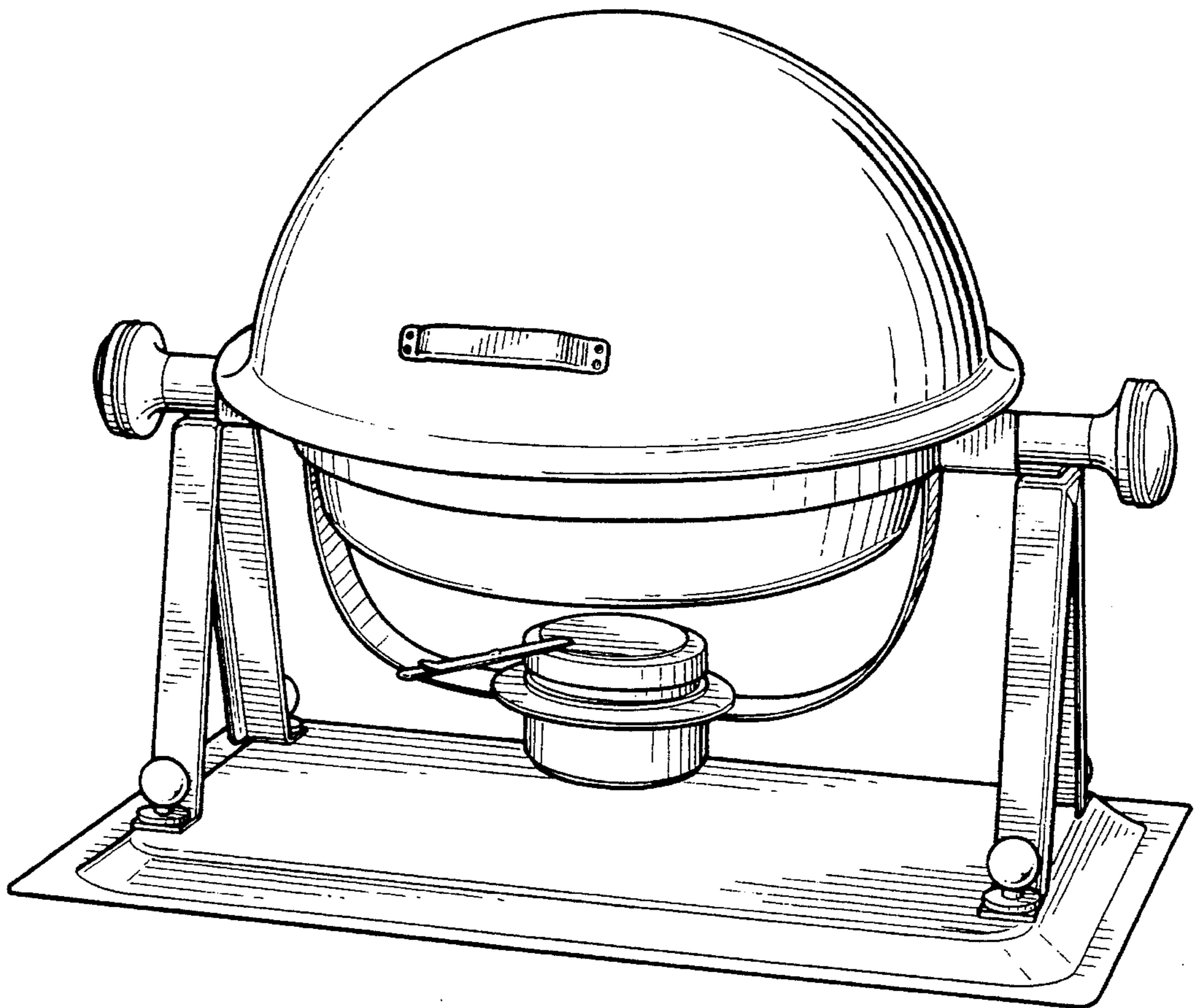


FIG 1

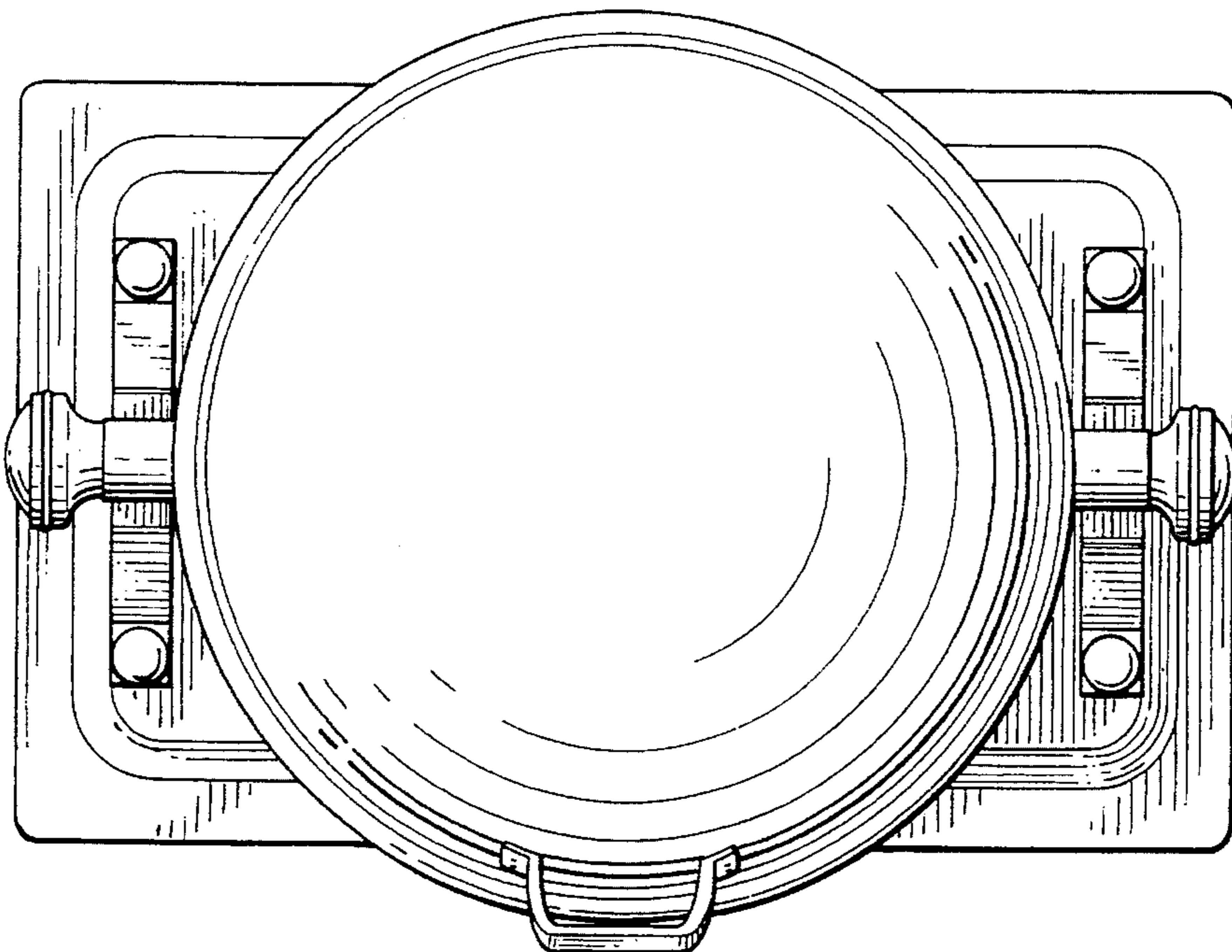


FIG 2

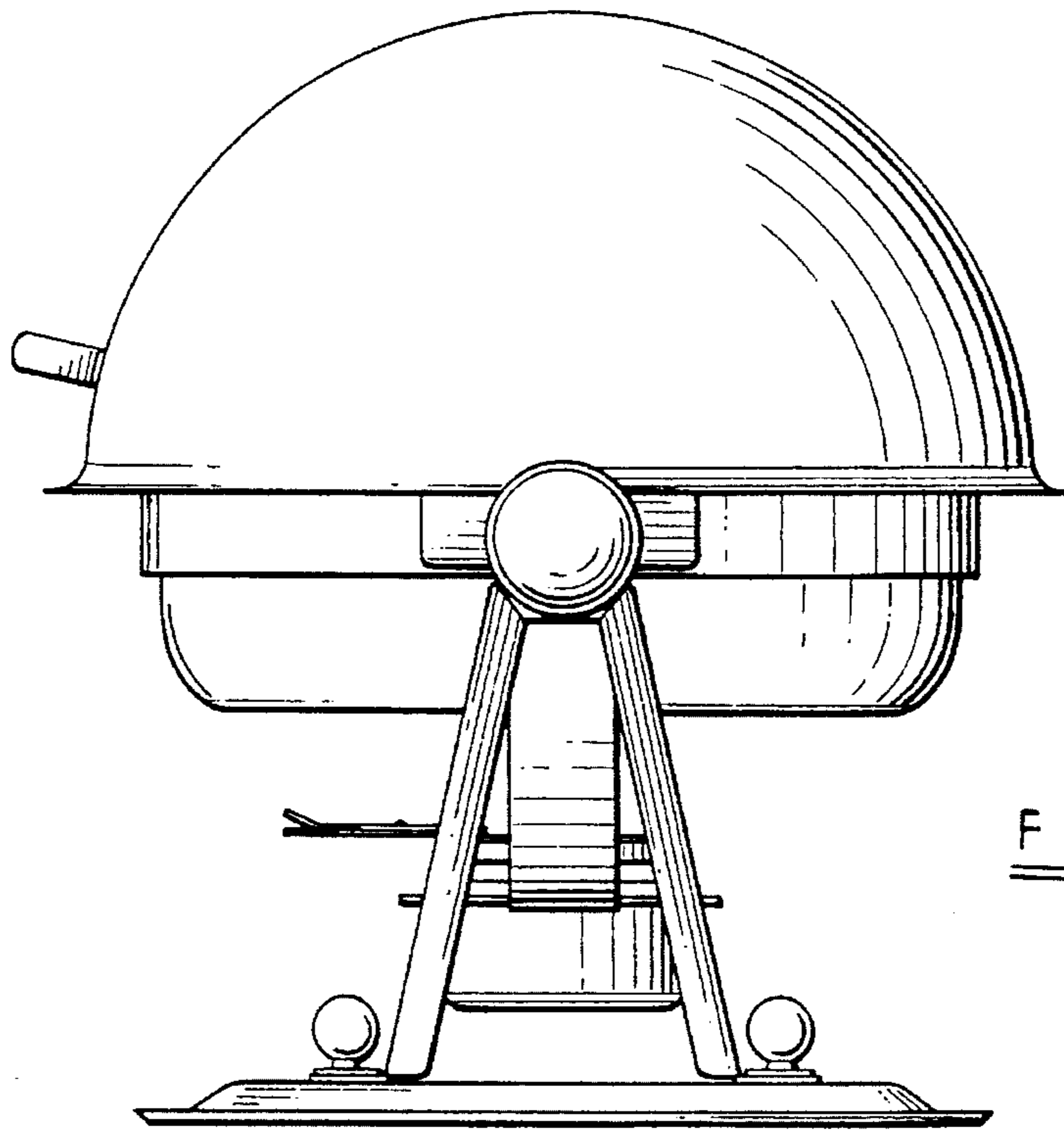


FIG 3

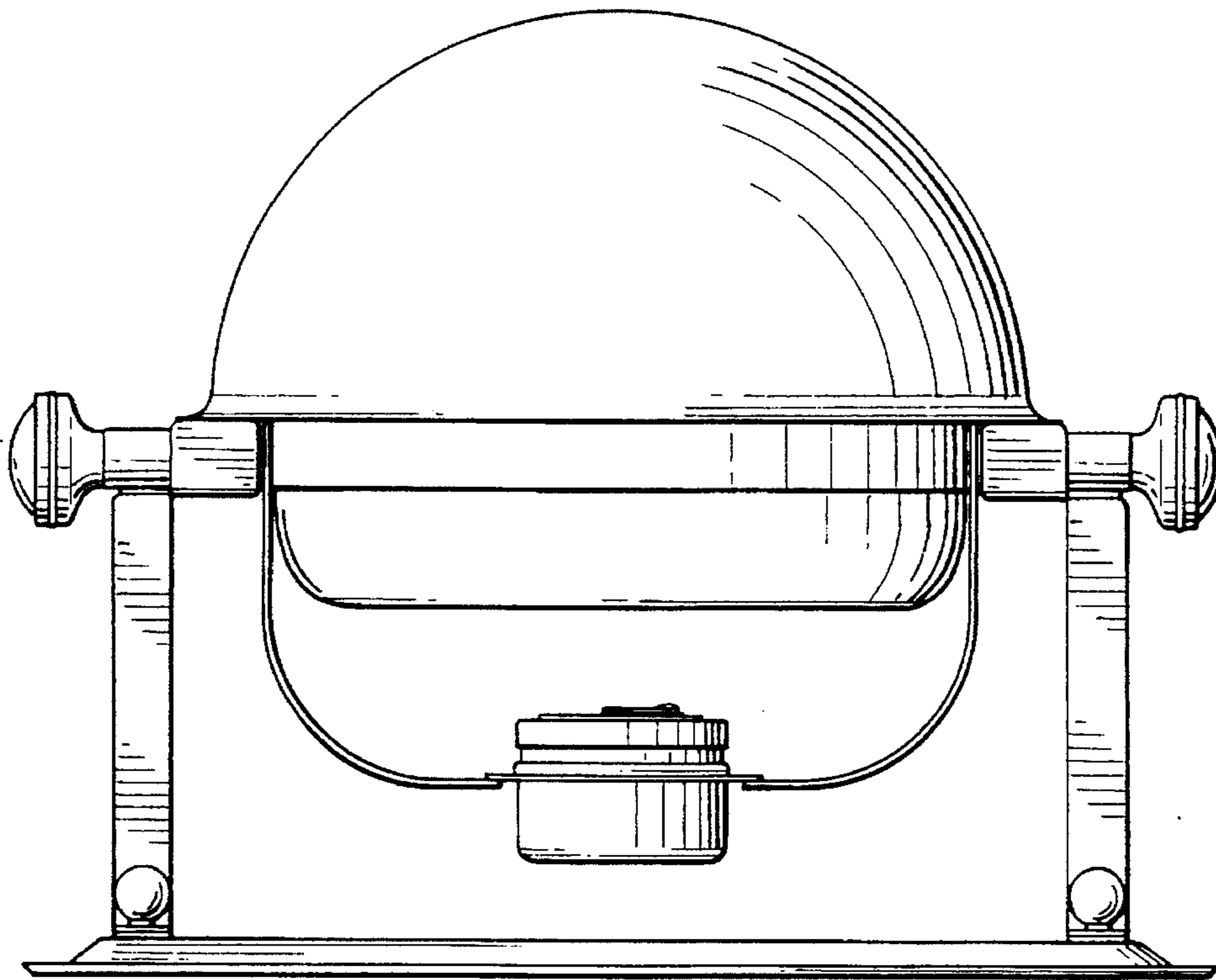


FIG 4