



US00D365723S

United States Patent [19]
Powell

[11] **Patent Number: Des. 365,723**

[45] **Date of Patent: **Jan. 2, 1996**

[54] **ELECTRIC DEEP FAT FRYER**

D. 345,280 3/1994 Powell D7/354

[75] Inventor: **Dick Powell**, London, Great Britain

Primary Examiner—Caron D. Veynar
Attorney, Agent, or Firm—Young & Thompson

[73] Assignee: **SEB**, Selongey, France

[**] Term: **14 Years**

[57] **CLAIM**

[21] Appl. No.: **11,475**

The ornamental design for an electric deep fat fryer, as shown.

[22] Filed: **Aug. 5, 1993**

DESCRIPTION

[30] **Foreign Application Priority Data**

Feb. 5, 1993 [FR] France 93 0650

[52] **U.S. Cl.** **D7/354**

[58] **Field of Search** D7/323, 354, 358,
D7/360; 99/331, 403, 410, 411, 413; 219/429,
432, 438, 440

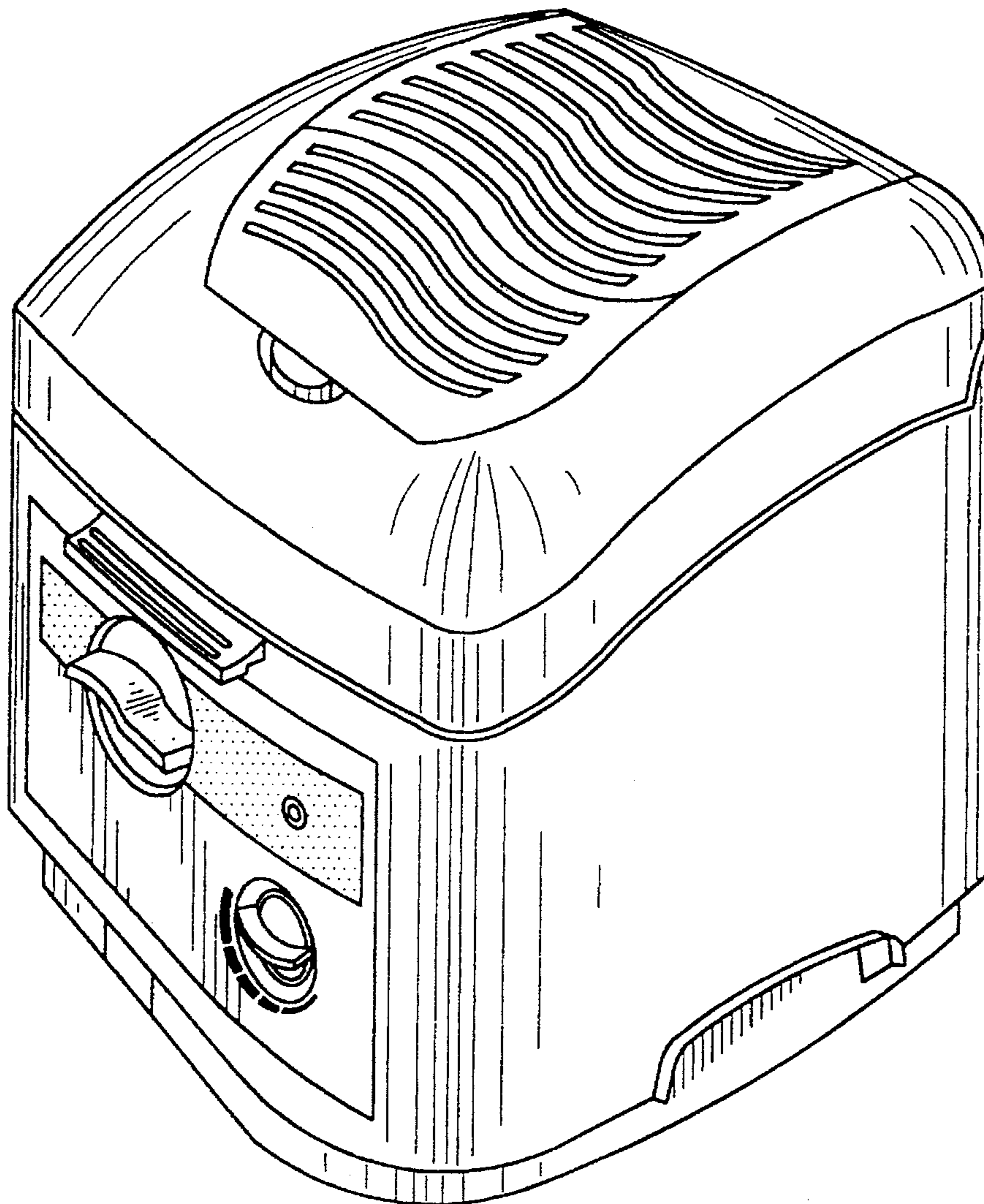
FIG. 1 is a top, front and side perspective view of an electric deep fat fryer showing my new design;
FIG. 2 is a front elevational view thereof;
FIG. 3 is a view thereof from the left of FIG. 1;
FIG. 4 is a view thereof from the right of FIG. 1;
FIG. 5 is a top view thereof; and,
FIG. 6 is a bottom plan view thereof.

[56] **References Cited**

U.S. PATENT DOCUMENTS

D. 341,056 11/1993 Powell D7/323 X

1 Claim, 6 Drawing Sheets



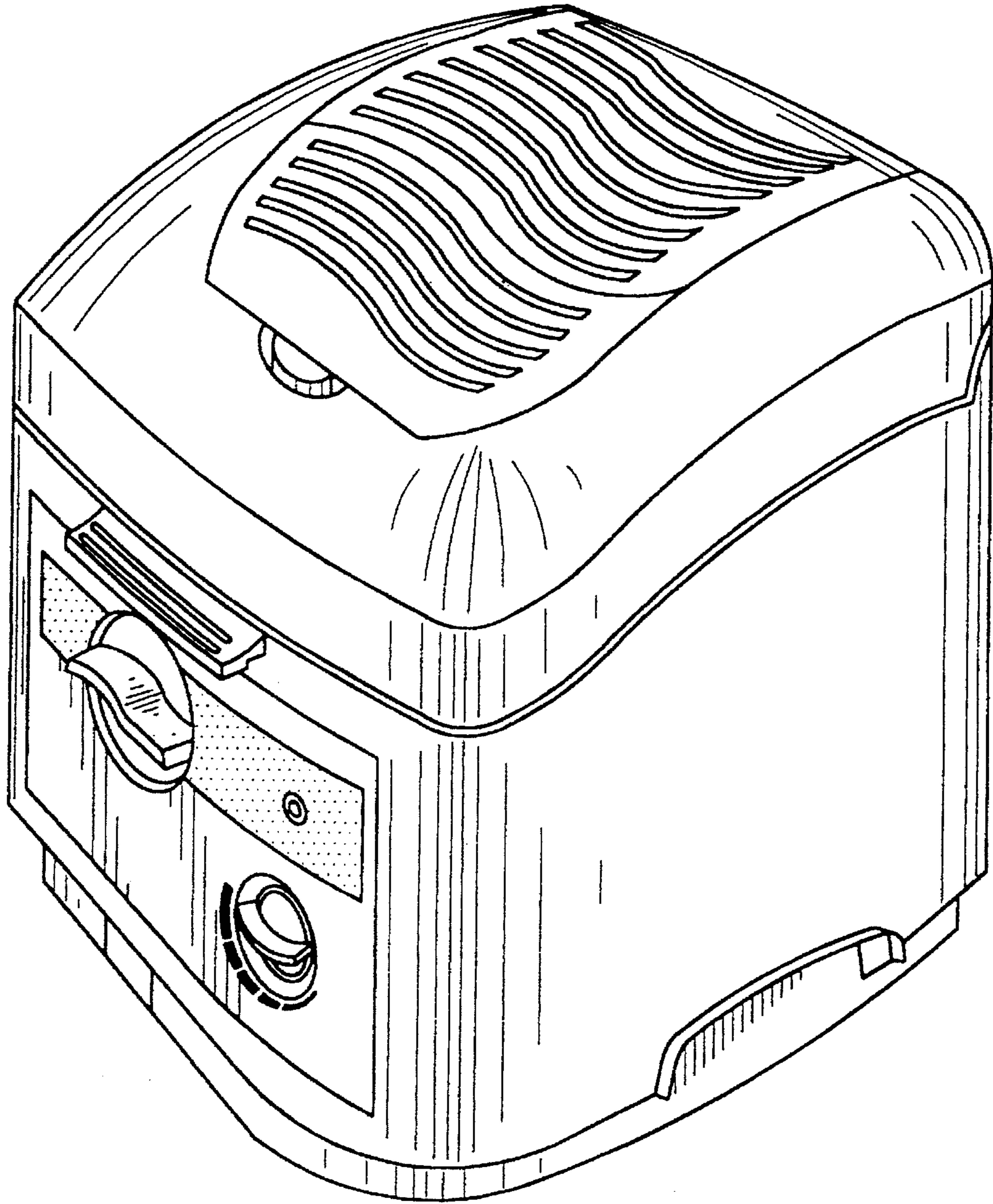


FIG. 1

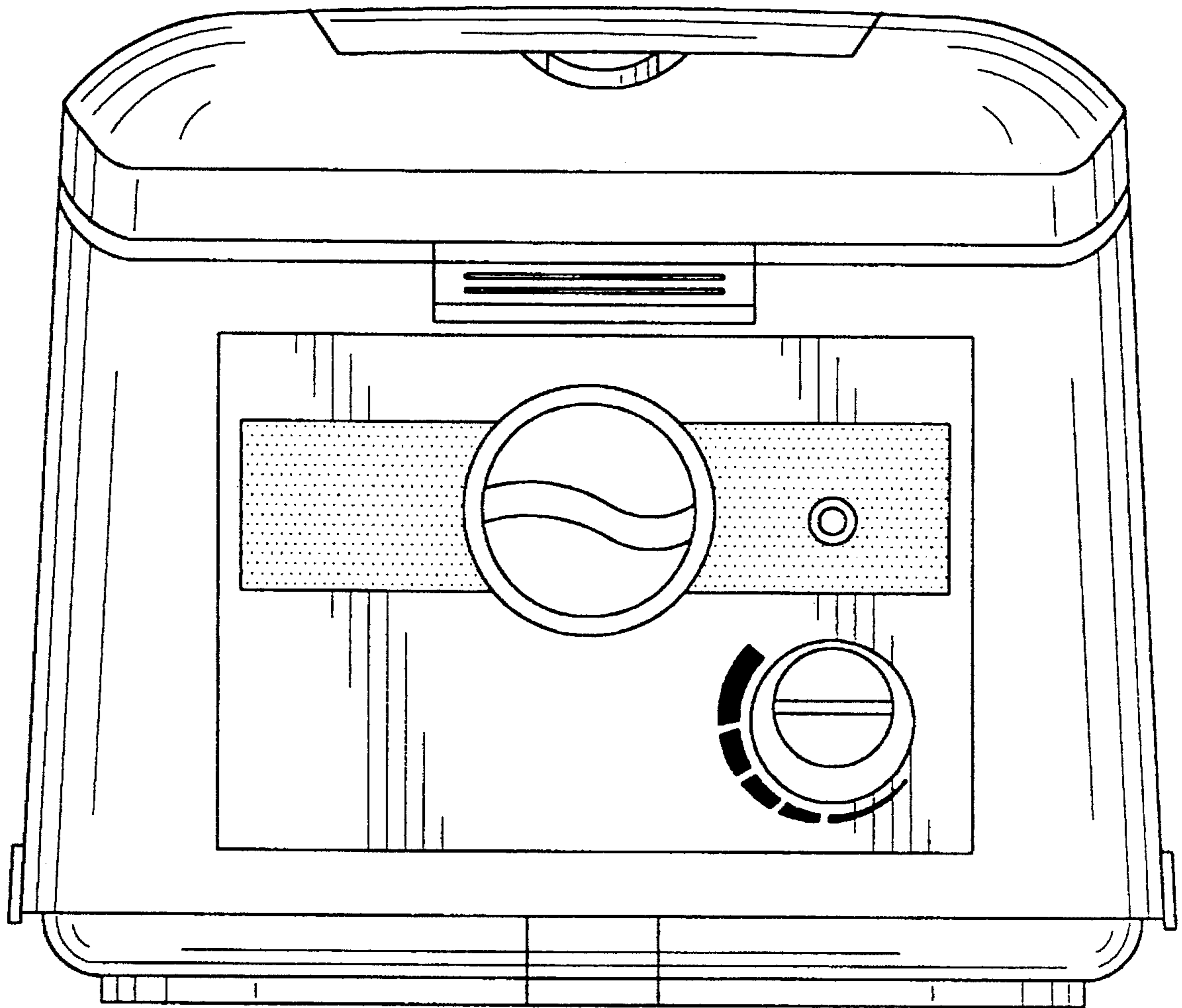


FIG. 2

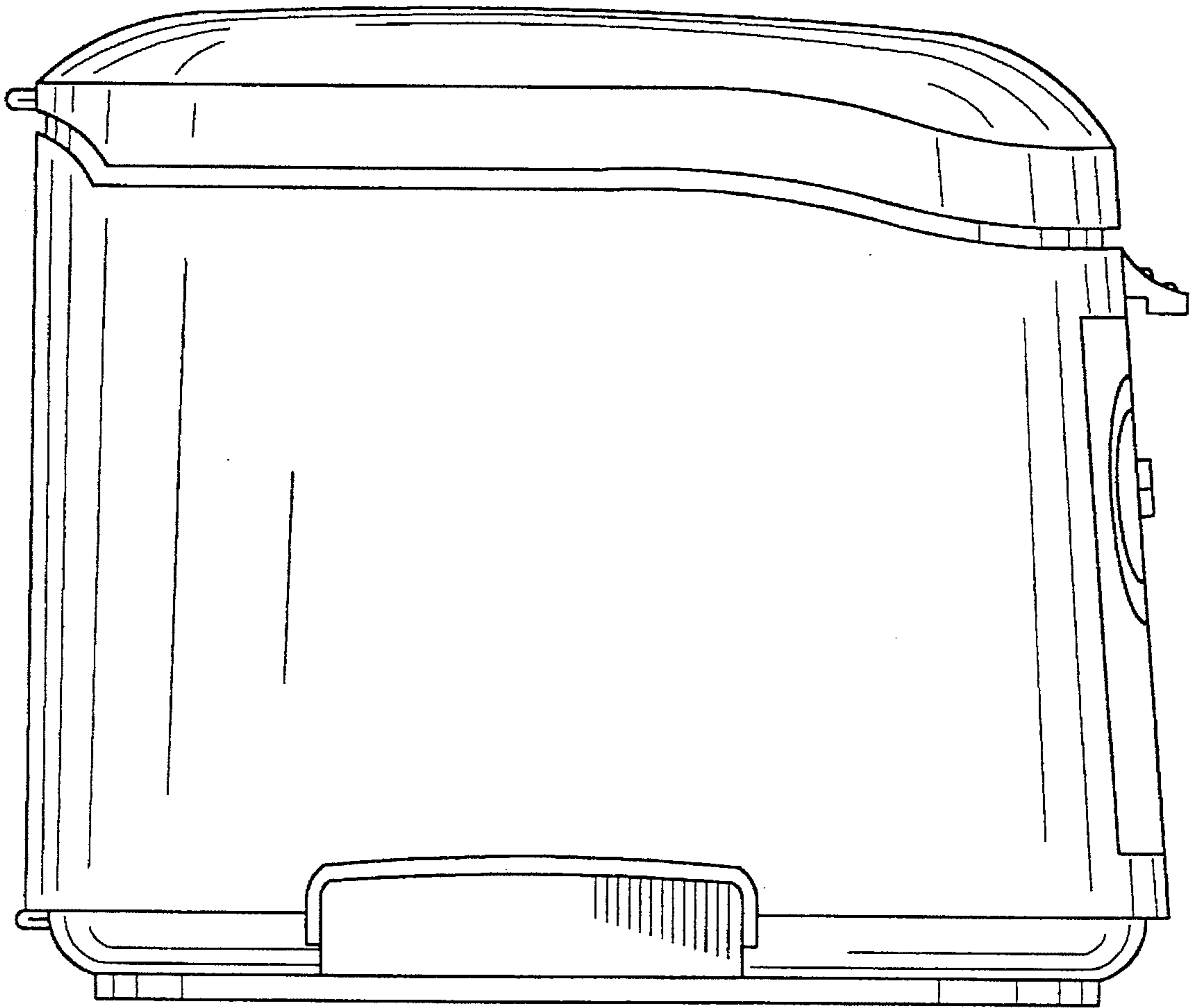


FIG. 3

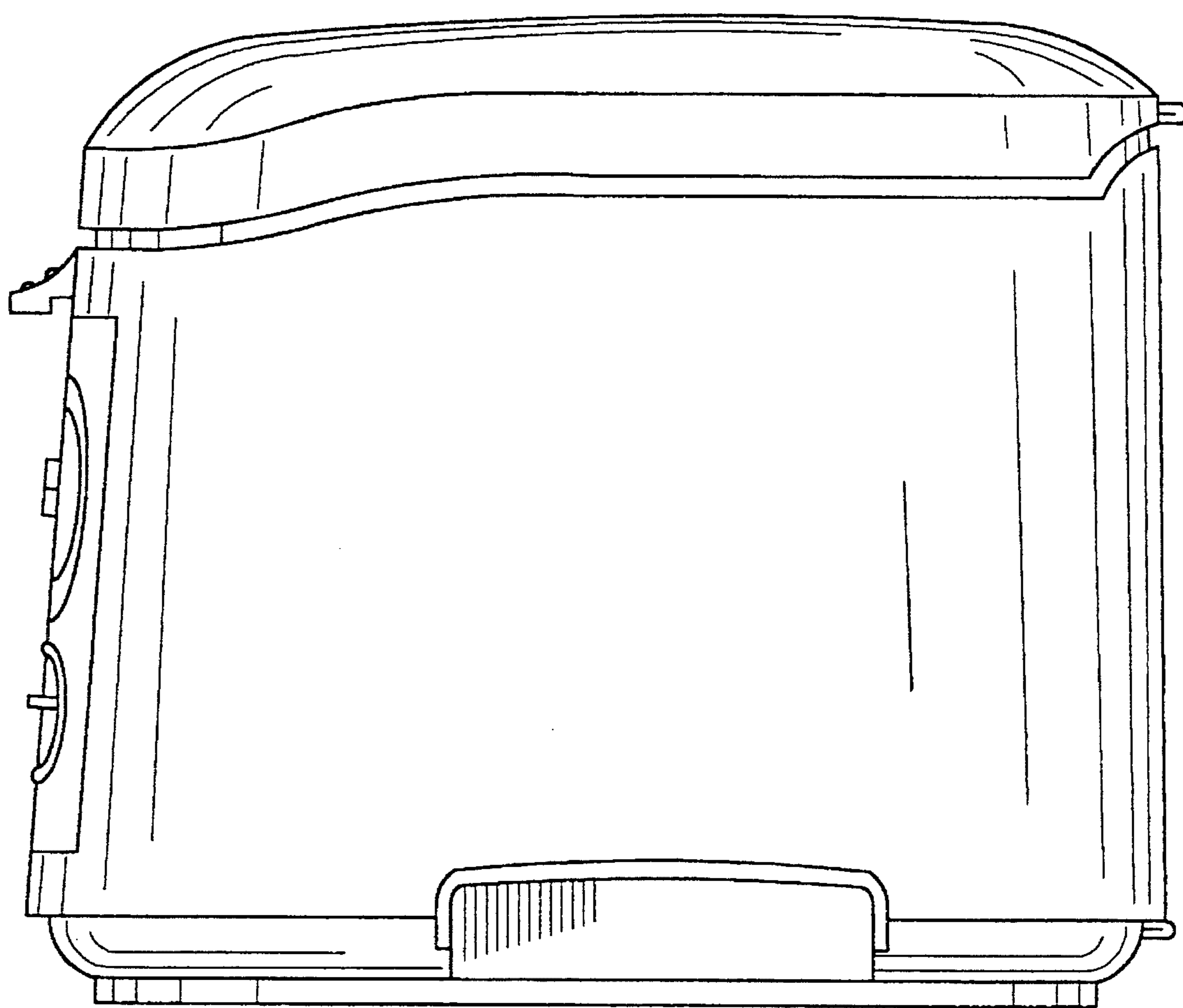


FIG. 4

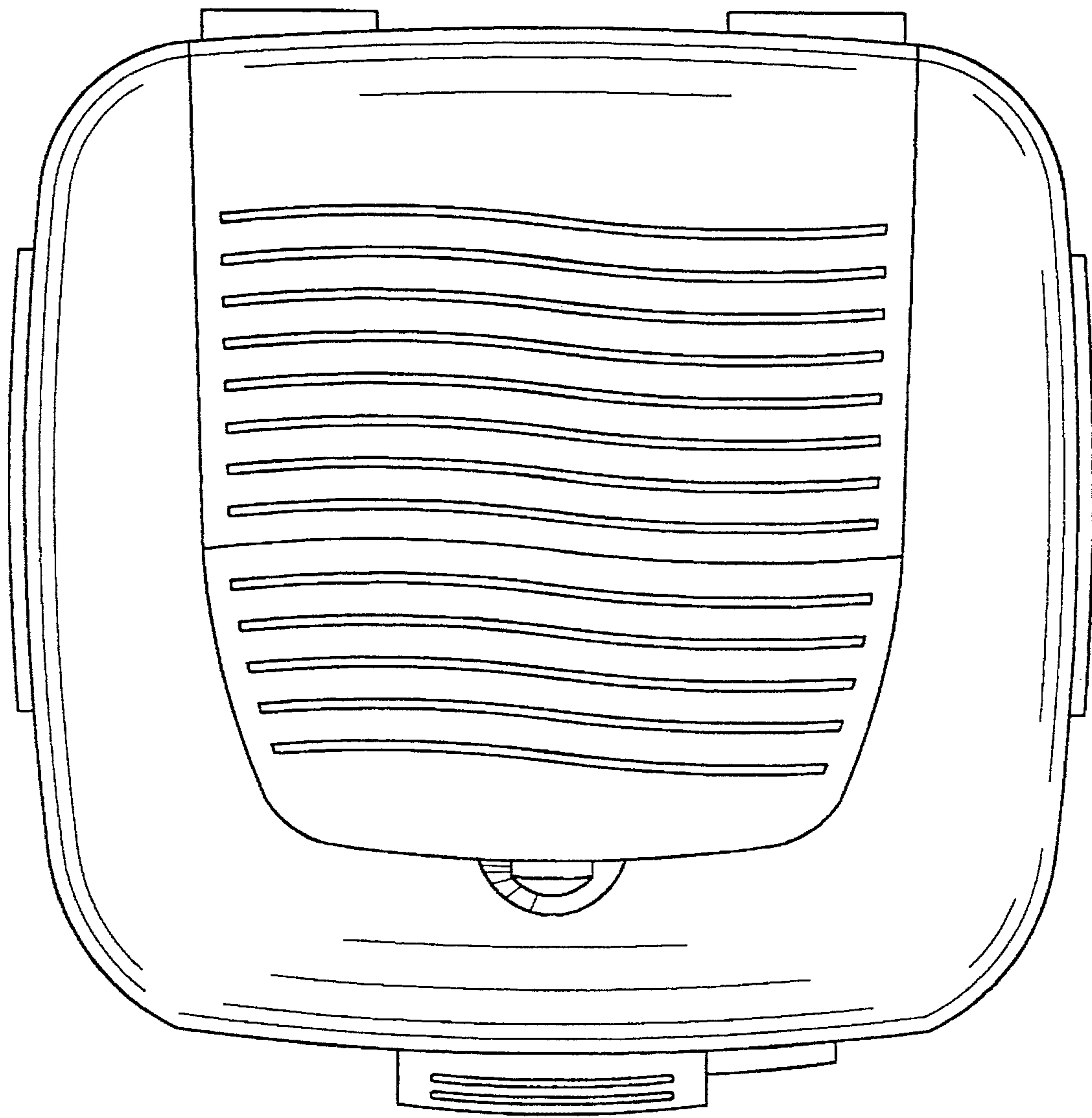


FIG. 5

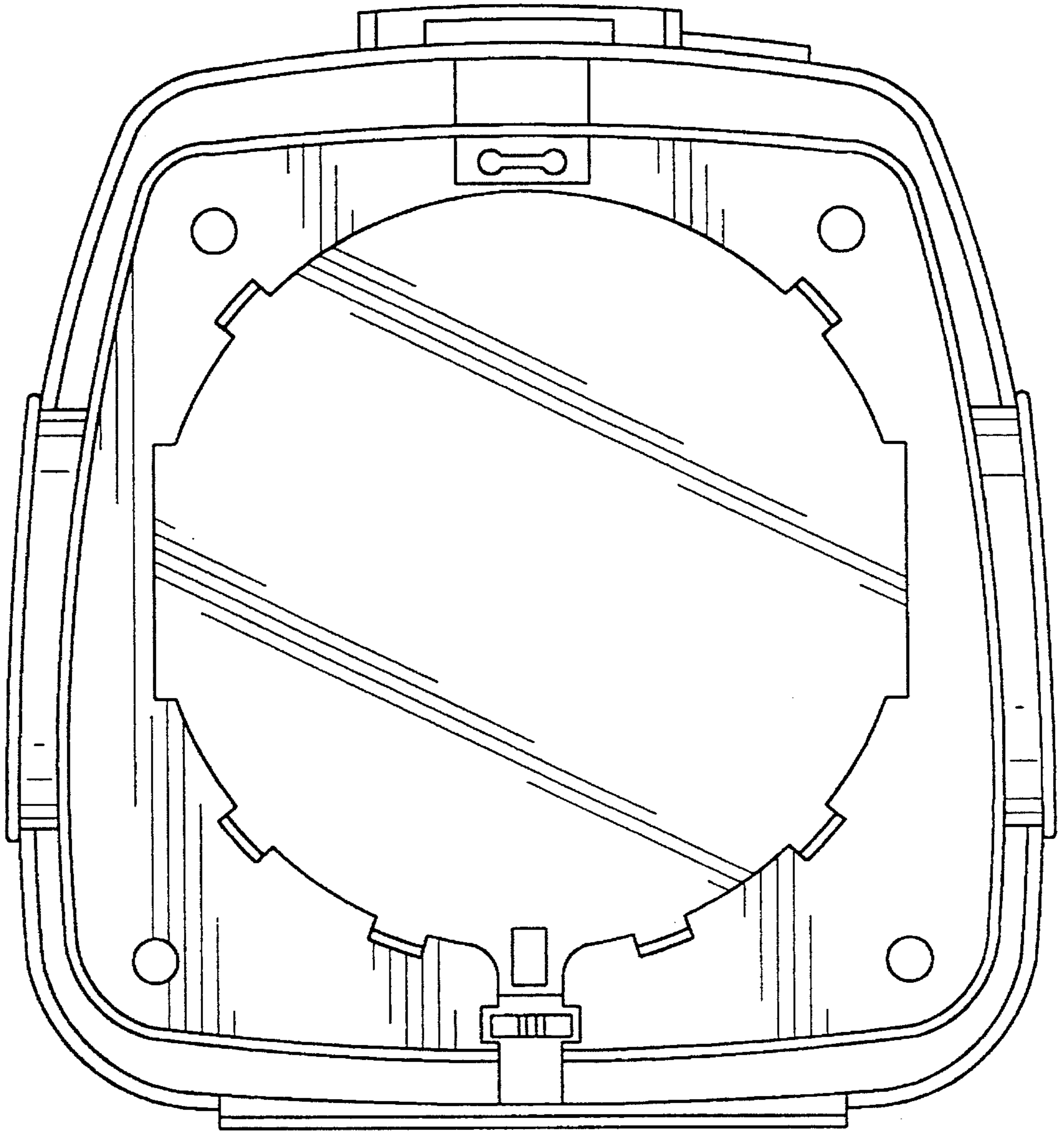


FIG. 6