



US00D365721S

United States Patent [19]
Huang

[11] **Patent Number:** **Des. 365,721**
[45] **Date of Patent:** ****Jan. 2, 1996**

[54] **VACUUM FLASK**

[76] **Inventor:** **Frank T. H. Huang**, Suite 804, 8 Fl.,
No. 128, Sec. 3, Ming-Sheng E. Rd.,
Taipei, Taiwan

[**] **Term:** **14 Years**

[21] **Appl. No.:** **29,916**

[22] **Filed:** **Oct. 19, 1994**

[52] **U.S. Cl.** **D7/317; D7/319**

[58] **Field of Search** **D7/605-608, 300,**
D7/312, 316-319, 321, 322; 215/12.1, 12.2,
13.1; 222/465.1, 475.1, 570

D. 343,334 1/1994 Ancona et al. .
D. 346,300 4/1994 Morgan .

OTHER PUBLICATIONS

HKE, Jul. 1989, p. 398, Vacuum flask #YS-650 and
YS-640.
Housewares, p. 20, May 21-27, 1986, Thermal Carafe.
Housewares, p. 74, Nov. 1, 1985, Thermal Carafe.

Primary Examiner—Terry A. Wallace
Attorney, Agent, or Firm—Bacon & Thomas

[57] **CLAIM**

The ornamental design for vacuum flask, as shown and
described.

[56] **References Cited**

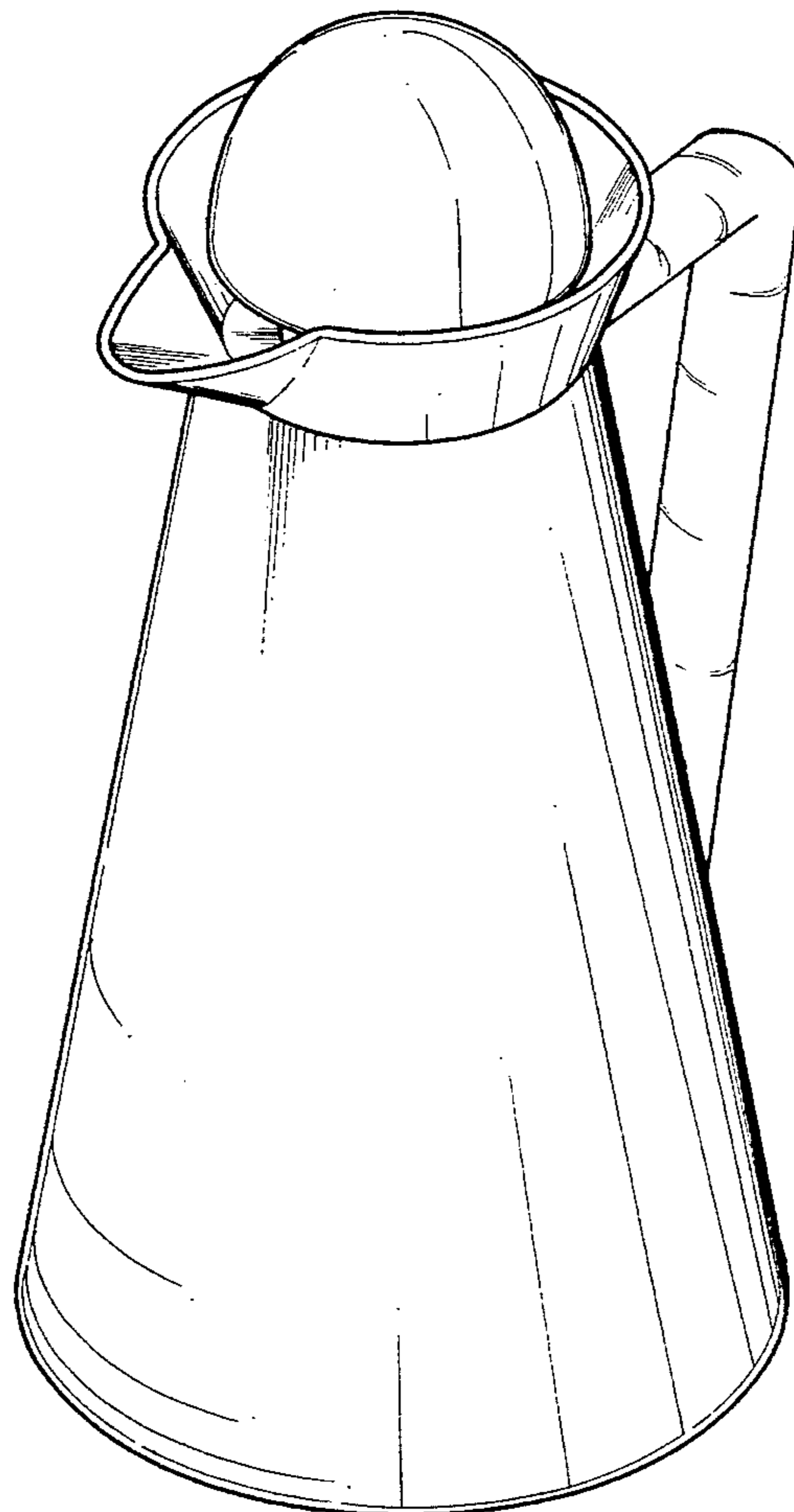
U.S. PATENT DOCUMENTS

- D. 182,215 2/1958 Wilson D7/317 X
- D. 218,354 8/1970 Kikuchi .
- D. 276,584 12/1984 Zimmermann .
- D. 285,039 8/1986 Zimmermann .
- D. 285,520 9/1986 Farm et al. D7/321
- D. 300,708 4/1989 Minuti .
- D. 308,458 6/1990 Stützer .
- D. 311,475 10/1990 Durand .
- D. 318,204 7/1991 Naft et al. .
- D. 337,235 7/1993 Huang .

DESCRIPTION

FIG. 1 is a perspective view of vacuum flask showing my
new design thereof;
FIG. 2 is a front elevational view and the rear elevational
view being a mirror image thereof;
FIG. 3 is a left side elevational view thereof;
FIG. 4 is a right side elevational view thereof;
FIG. 5 is a top plan view thereof; and,
FIG. 6 is a bottom plan view thereof.

1 Claim, 4 Drawing Sheets



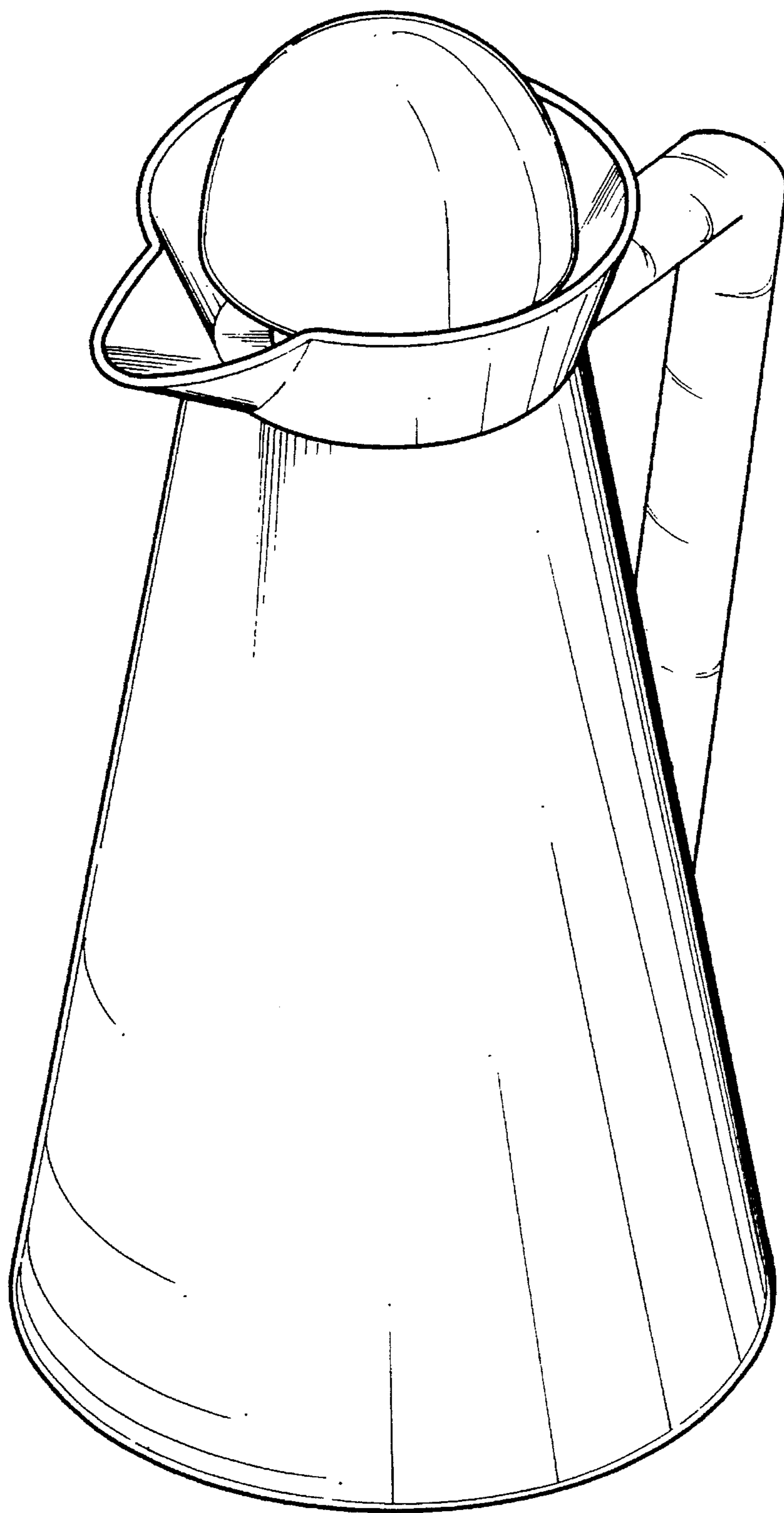


Fig. 1

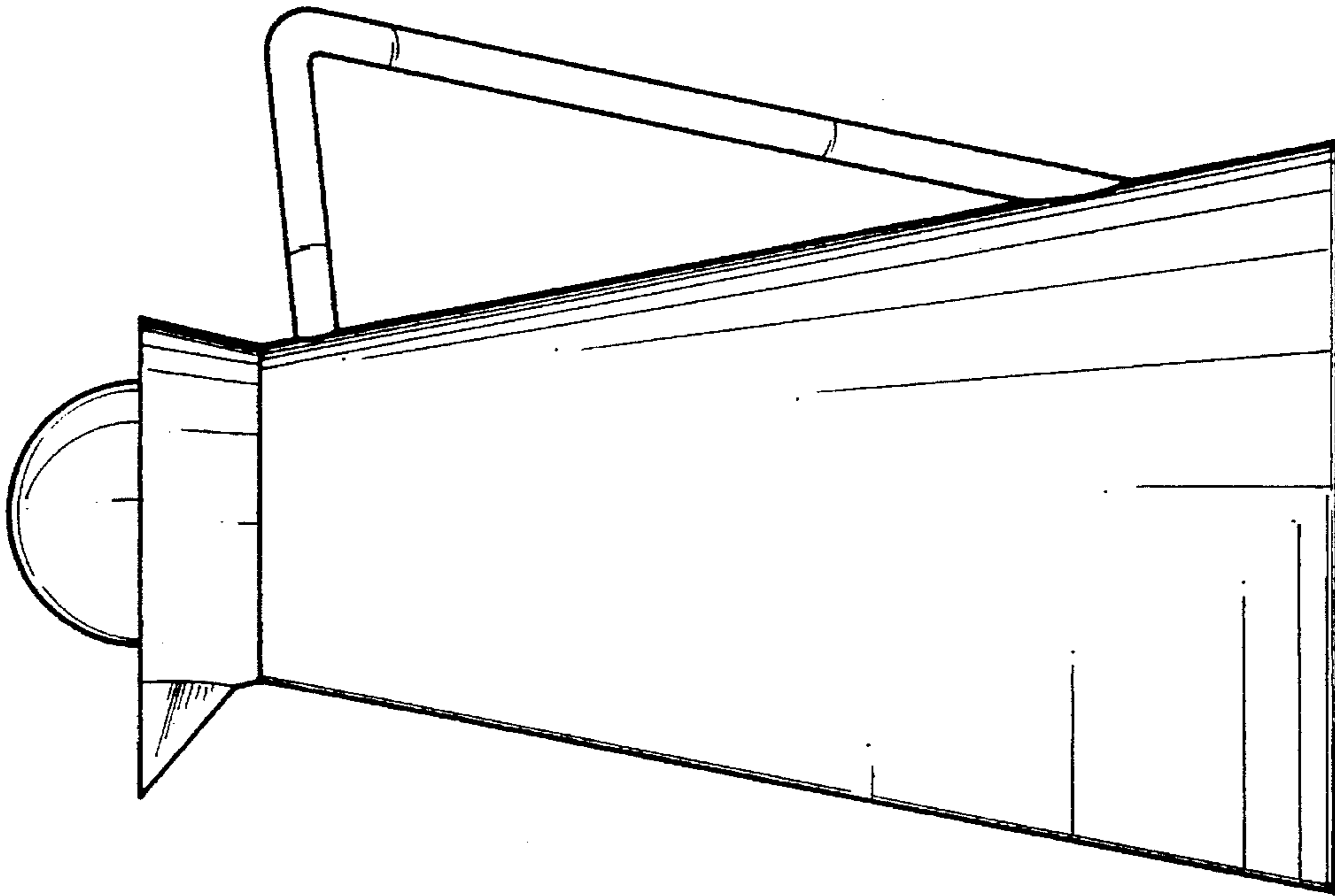


Fig. 2

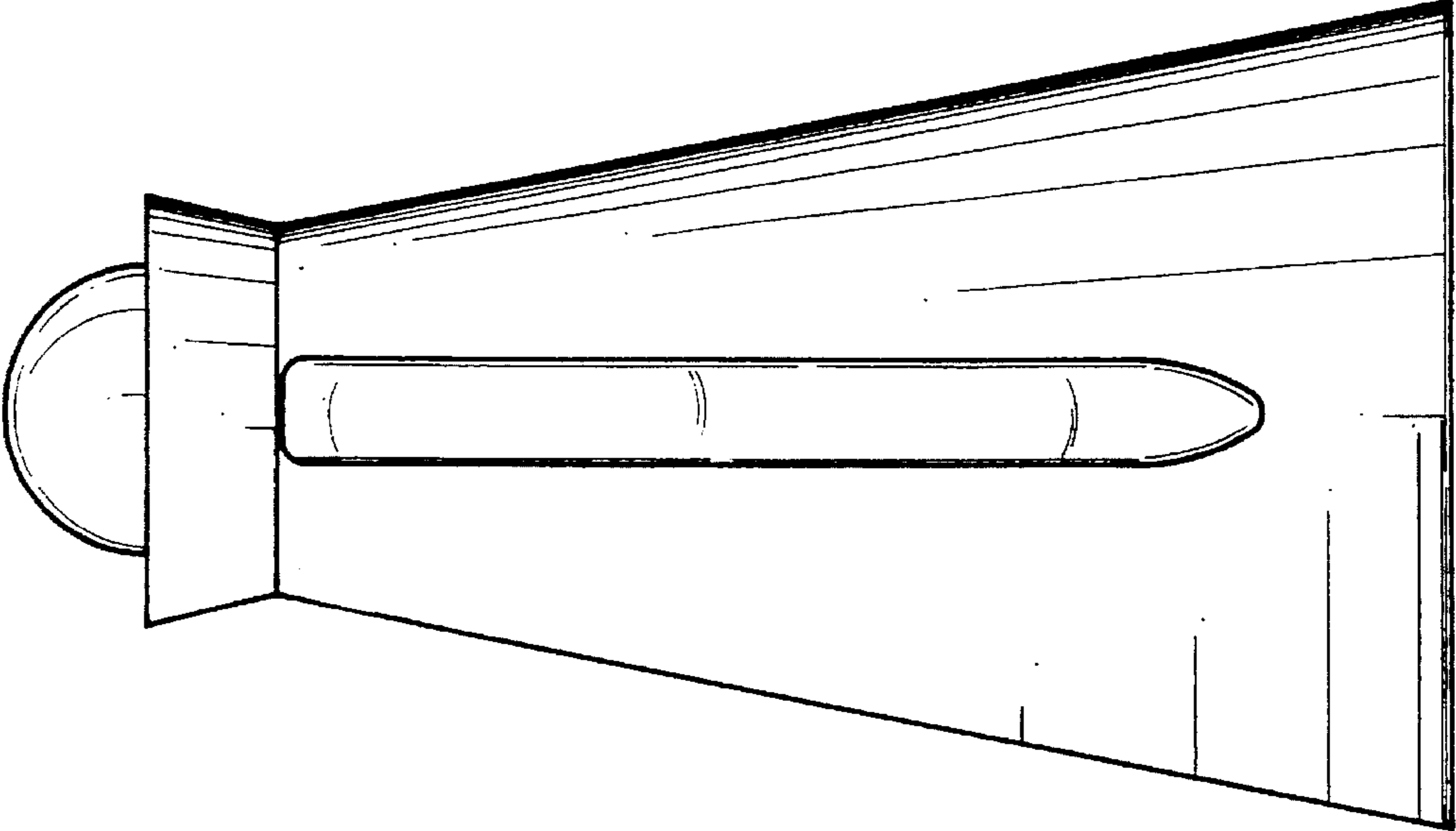


Fig. 4

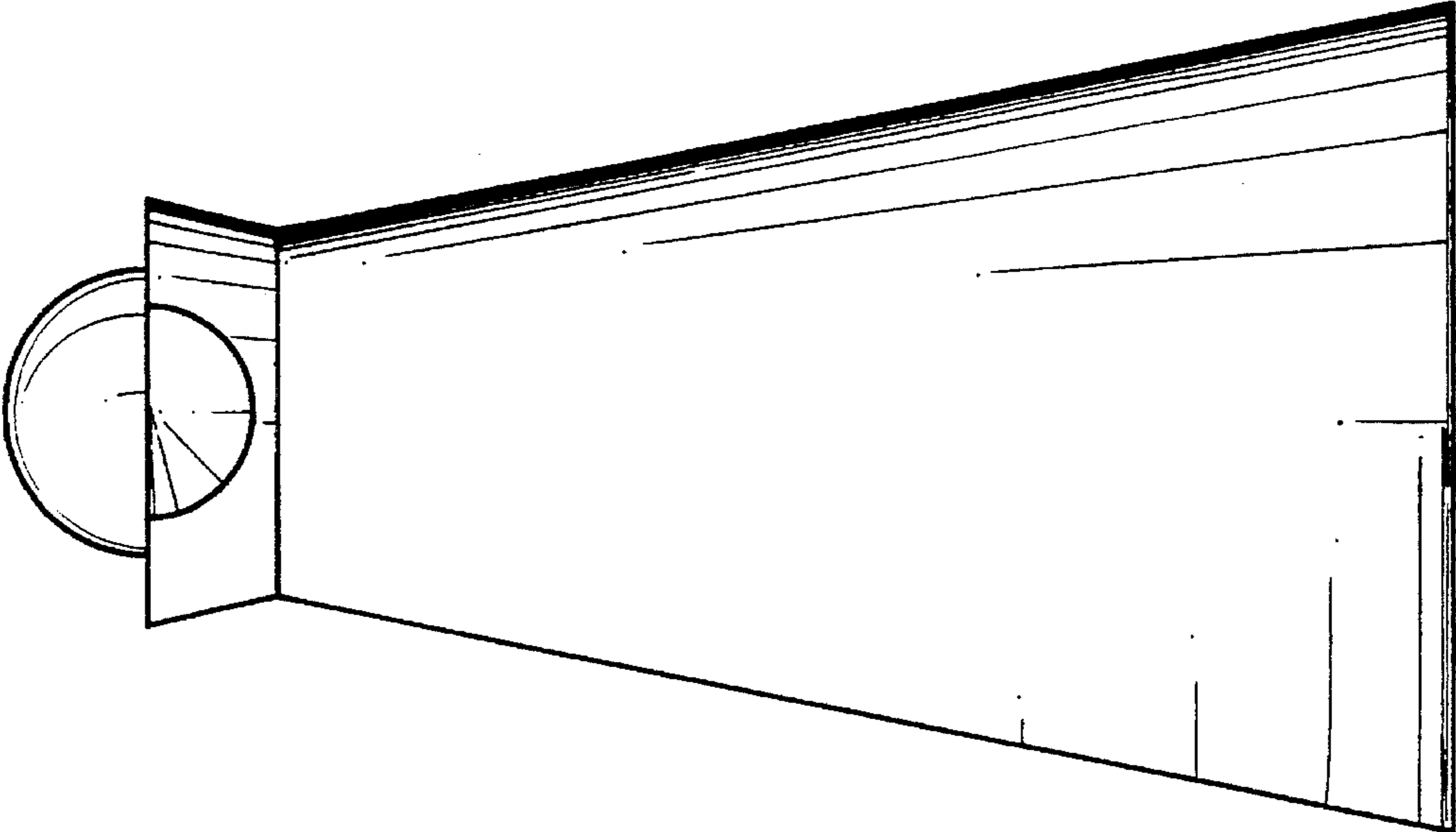


Fig. 3

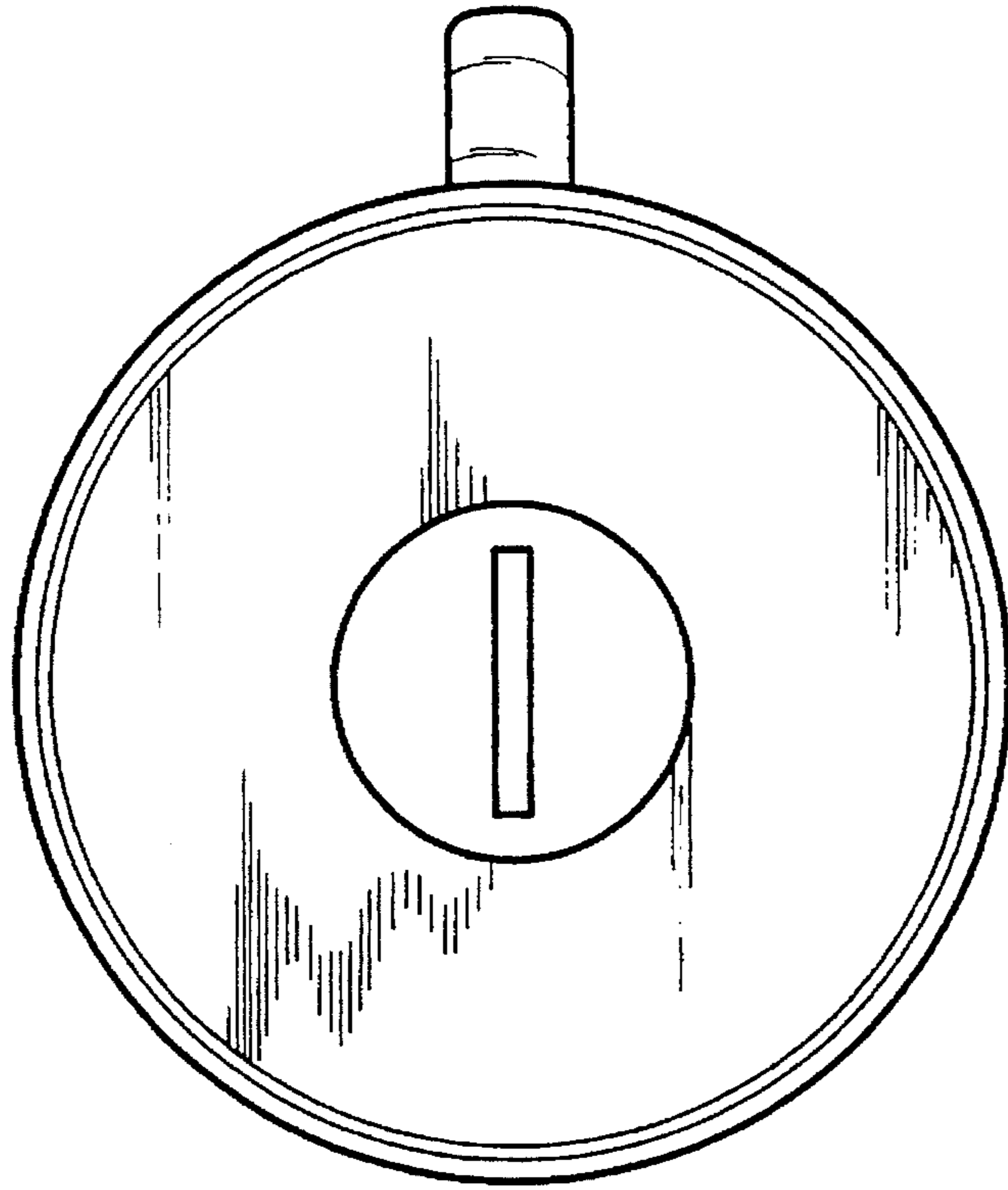


Fig. 6

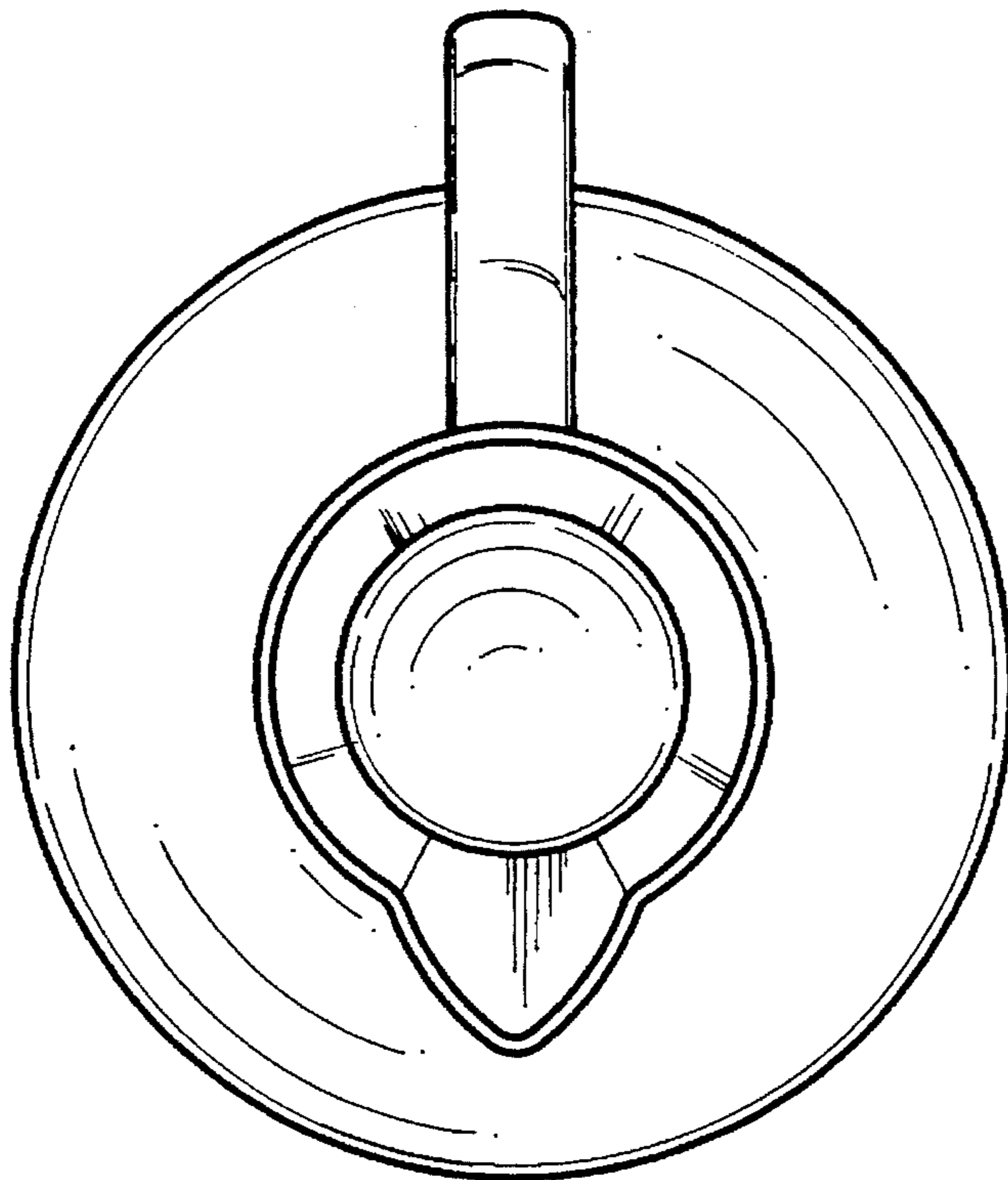


Fig. 5