



US00D365717S

United States Patent [19]

Cardenas

[11] Patent Number: **Des. 365,717**

[45] Date of Patent: ****Jan. 2, 1996**

[54] **PORTABLE GUN RACK**

[76] Inventor: **John Cardenas**, 339 W. Norman Ave.,
Arcadia, Calif. 91007

[**] Term: **14 Years**

[21] Appl. No.: **27,889**

[22] Filed: **Aug. 31, 1994**

[52] U.S. Cl. **D6/552; D12/406**

[58] Field of Search D12/406; 224/273,
224/275, 311, 314, 318, 326, 42.46 R, 913;
211/2, 64, 17, 195, 70.1; 296/37.13, 37.16,
37.6; 248/205.2, 231.7

3,876,078 4/1975 Gomes et al. 211/64
 4,131,202 12/1978 Hansen 211/2
 4,181,220 1/1980 Zicko 211/70.1
 4,852,780 8/1989 Woodbury 224/42.45
 4,995,537 2/1991 Thedieck 224/273
 5,096,072 3/1992 Link 211/195
 5,125,517 6/1992 Martinell 211/17
 5,351,843 10/1994 Wuhman et al. 211/195

Primary Examiner—A. Hugo Word
Assistant Examiner—M. N. Brown
Attorney, Agent, or Firm—Curtis L. Harrington

[57] CLAIM

The ornamental design for a portable gun rack, as shown and described.

[56] References Cited

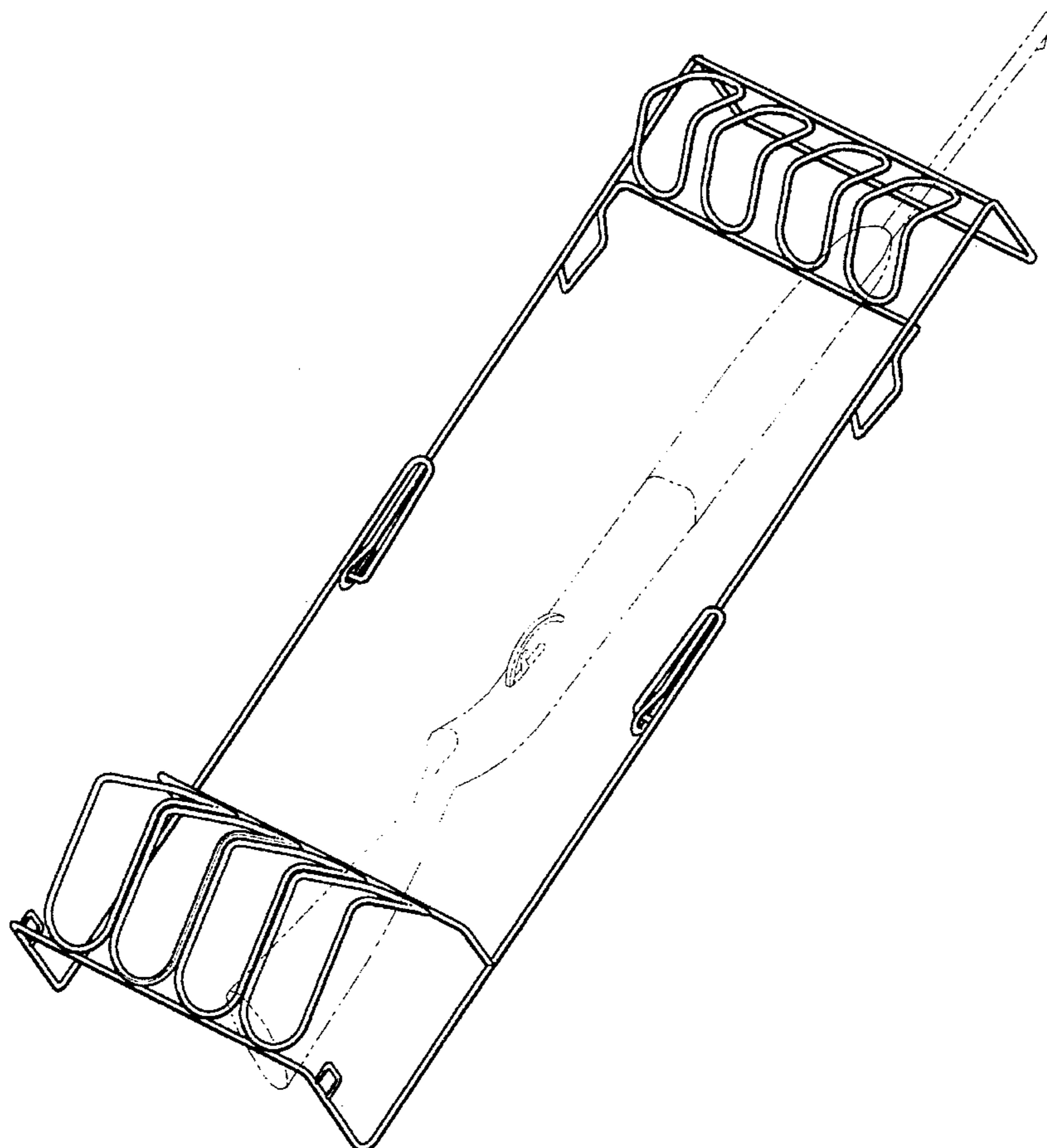
U.S. PATENT DOCUMENTS

D. 302,628	8/1989	Smith	D6/552
D. 310,302	9/1990	Southard	D6/552
D. 324,951	3/1992	Narramore	D6/552
D. 345,273	3/1994	Horn	D6/552
D. 356,541	3/1995	Morford	D12/406
2,775,351	12/1956	Johnson et al.	211/64
3,261,521	7/1966	Meccico et al.	211/64
3,266,633	8/1966	Graebner	211/70.1
3,477,586	11/1969	Haluska	211/64
3,497,077	2/1970	Sjostrand	211/64

DESCRIPTION

FIG. 1 is a bottom perspective view of a portable gun rack showing my new design;
 FIG. 2 is a top perspective view thereof, the gun shown in broken lines is disclosed for illustrative purposes only and forms no part of the claimed design;
 FIG. 3 is a side elevation view thereof, the opposite side being a mirror image of that shown; and,
 FIG. 4 is a bottom perspective view thereof shown rotated about 180 degrees and in folded condition.

1 Claim, 2 Drawing Sheets



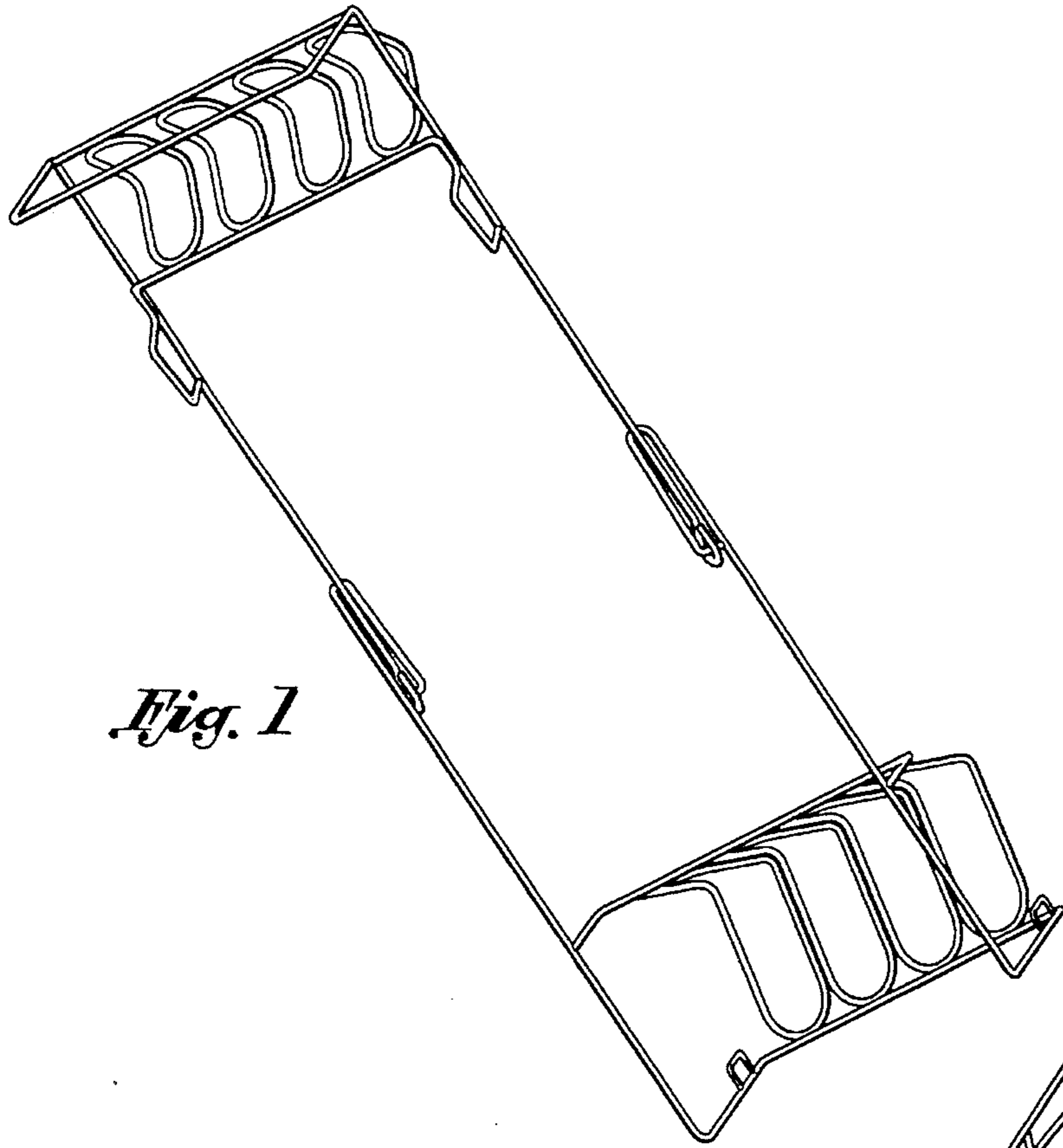


Fig. 1

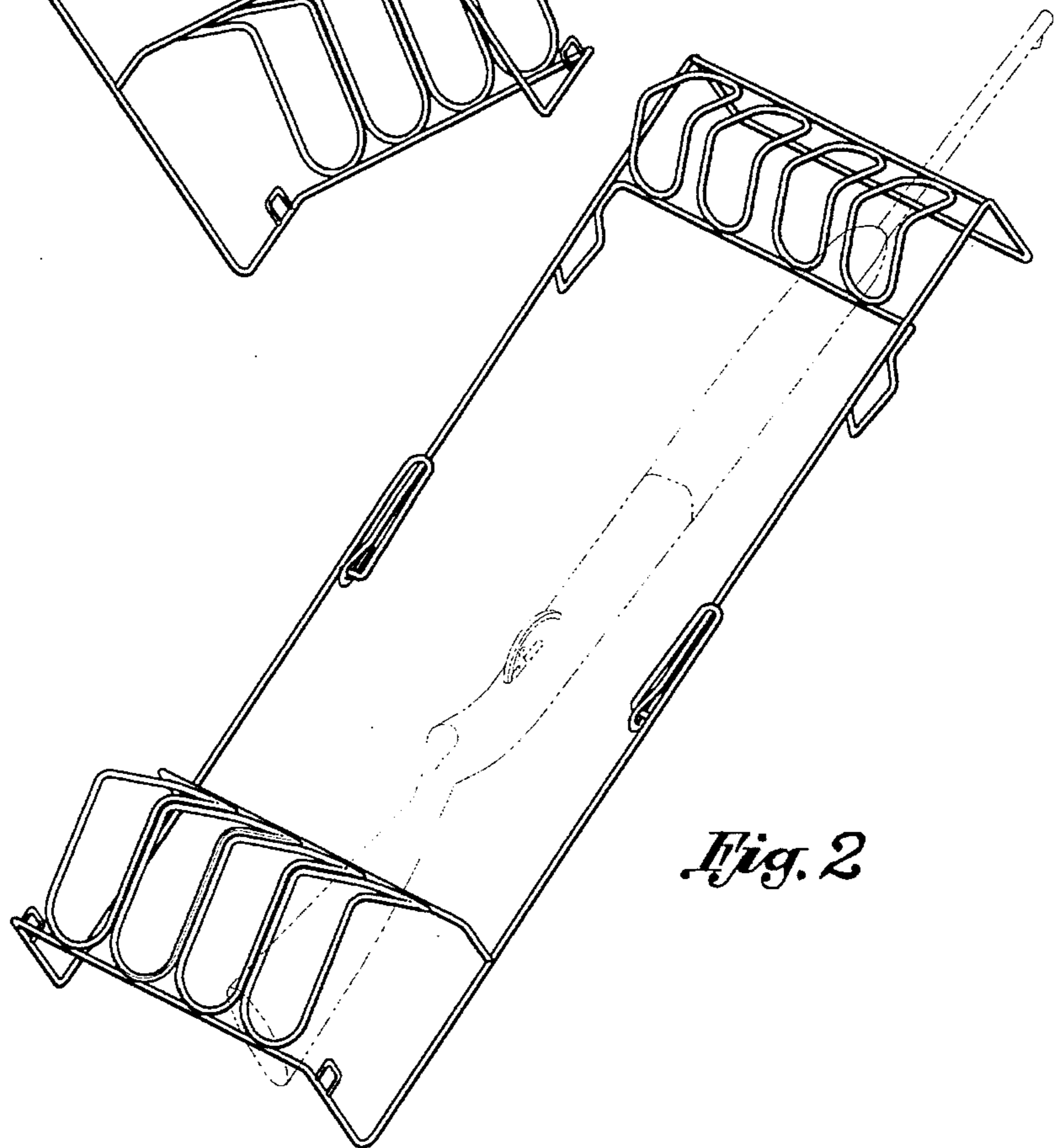


Fig. 2

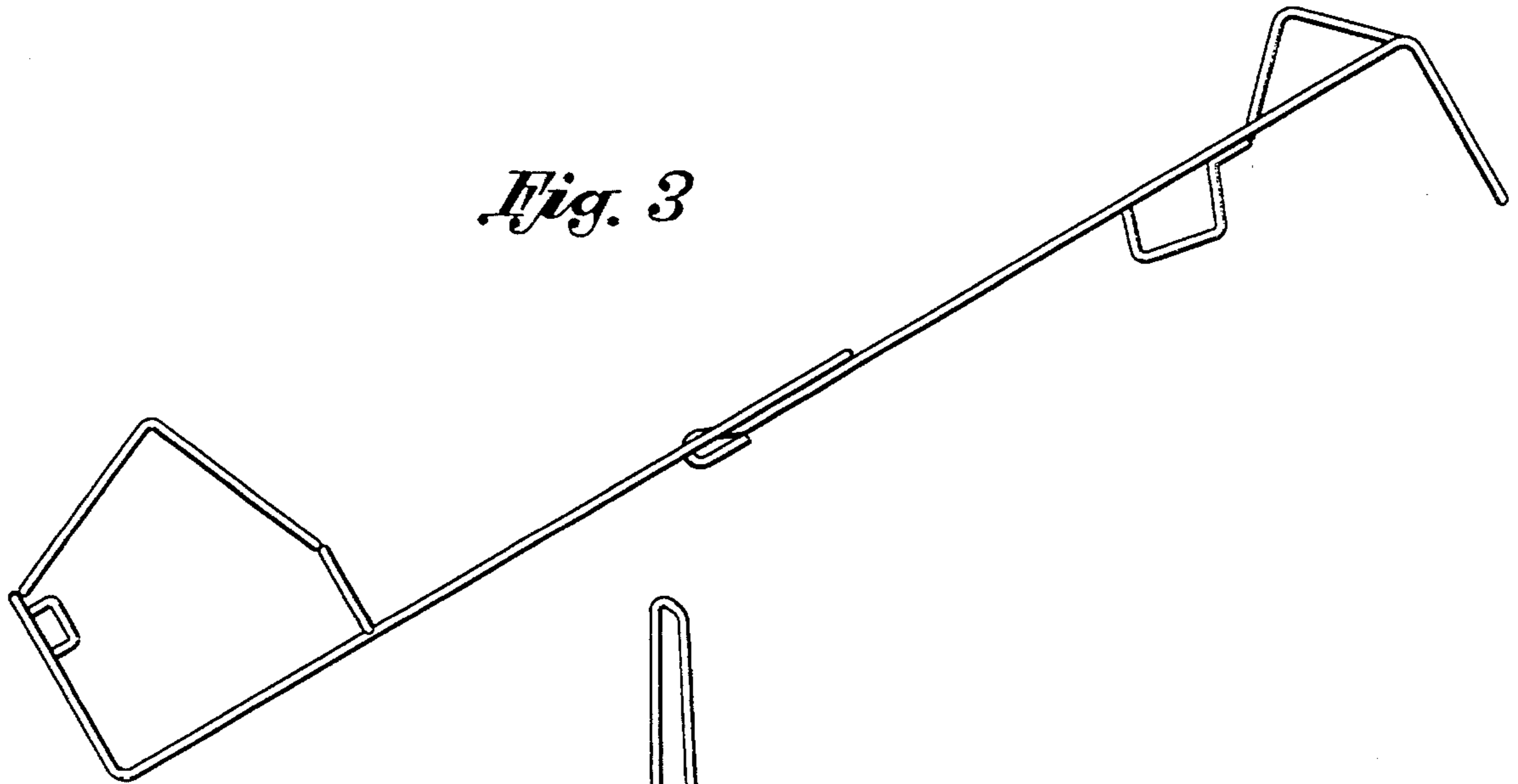


Fig. 4

