



US00D365716S

# United States Patent [19]

[11] Patent Number: **Des. 365,716**

Rose, Sr.

[45] Date of Patent: **\*\*Jan. 2, 1996**

[54] **PORTABLE MULTI-BALL STORAGE CONTAINER**

[76] Inventor: **Alan P. Rose, Sr.**, 713 Jansen St., Cayce, S.C. 29033

[\*\*] Term: **14 Years**

[21] Appl. No.: **31,398**

[22] Filed: **Nov. 25, 1994**

[52] U.S. Cl. .... **D6/552**

[58] Field of Search ..... D6/552, 449, 462, D6/465; 206/315.1, 315.9, 315.91; 211/13, 14, 15, 71, 74, 123, 182

[56] **References Cited**

**U.S. PATENT DOCUMENTS**

D. 313,715	1/1991	Ohno .....	D6/552
D. 326,174	5/1992	McDonald .....	D34/17
2,940,599	6/1960	Gentner .....	211/71
4,896,778	1/1990	Ferdinand et al. ....	211/74
5,377,849	1/1995	Martin .....	D6/552 X

Primary Examiner—Brian N. Vinson  
Attorney, Agent, or Firm—David L. Baker; Rhodes & Ascolillo; Henry S. Miller

[57] **CLAIM**

The ornamental design for a portable multi-ball storage container, as shown and described.

**DESCRIPTION**

FIG. 1 is a perspective view of a portable multi-ball storage container showing my new design therefor. The broken-line printed matter is shown for purposes of illustration only and forms no part of my design.

FIG. 2 is a front elevational view, the rear elevational view being a mirror-image thereof;

FIG. 3 is a top plan view;

FIG. 4 is a right side elevational view, the left side elevational view being a mirror-image thereof. The broken-line printed matter is shown for purposes of illustration only and forms no part of my design; and,

FIG. 5 is a bottom plan view.

**1 Claim, 2 Drawing Sheets**

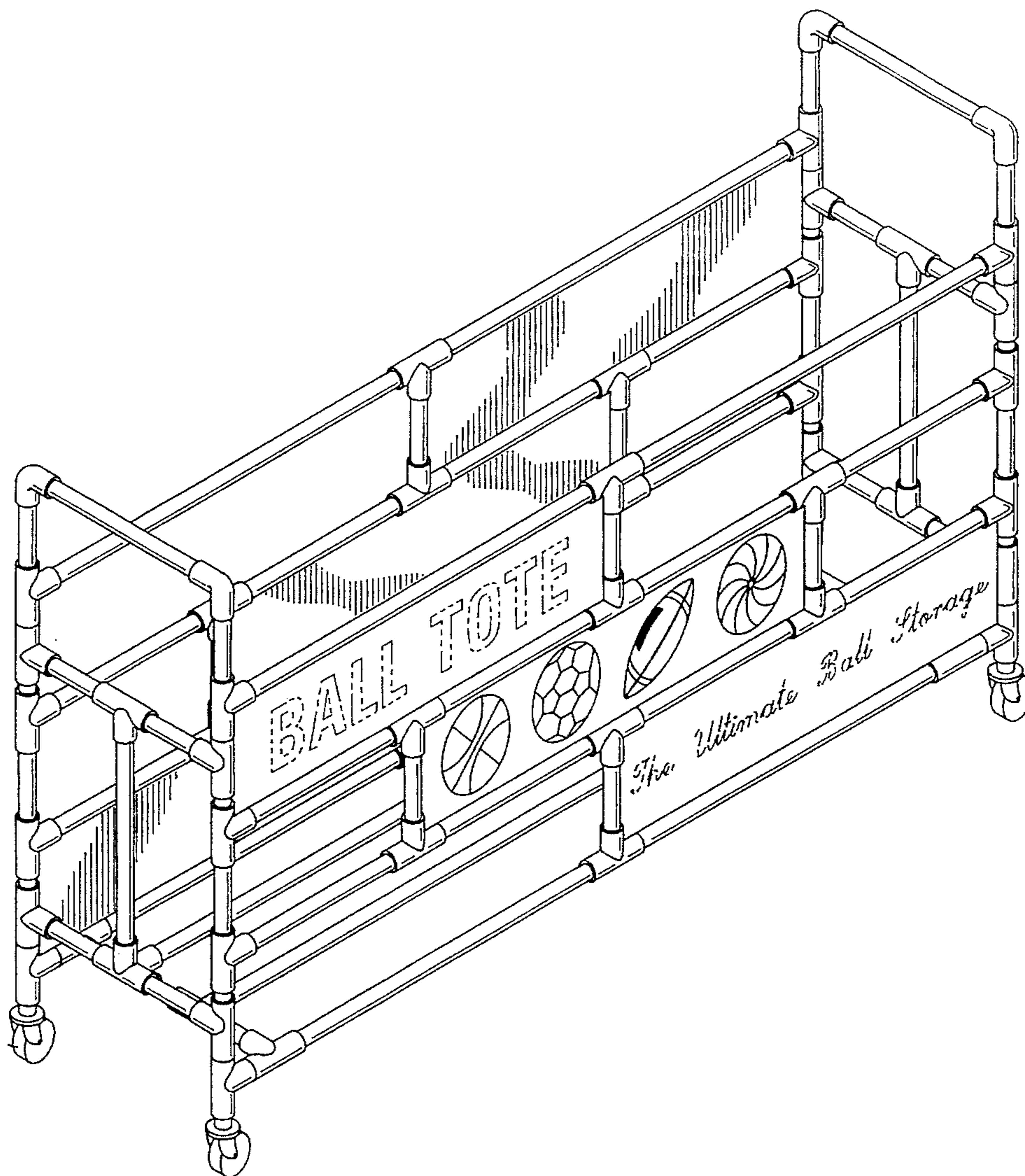


FIG. 1

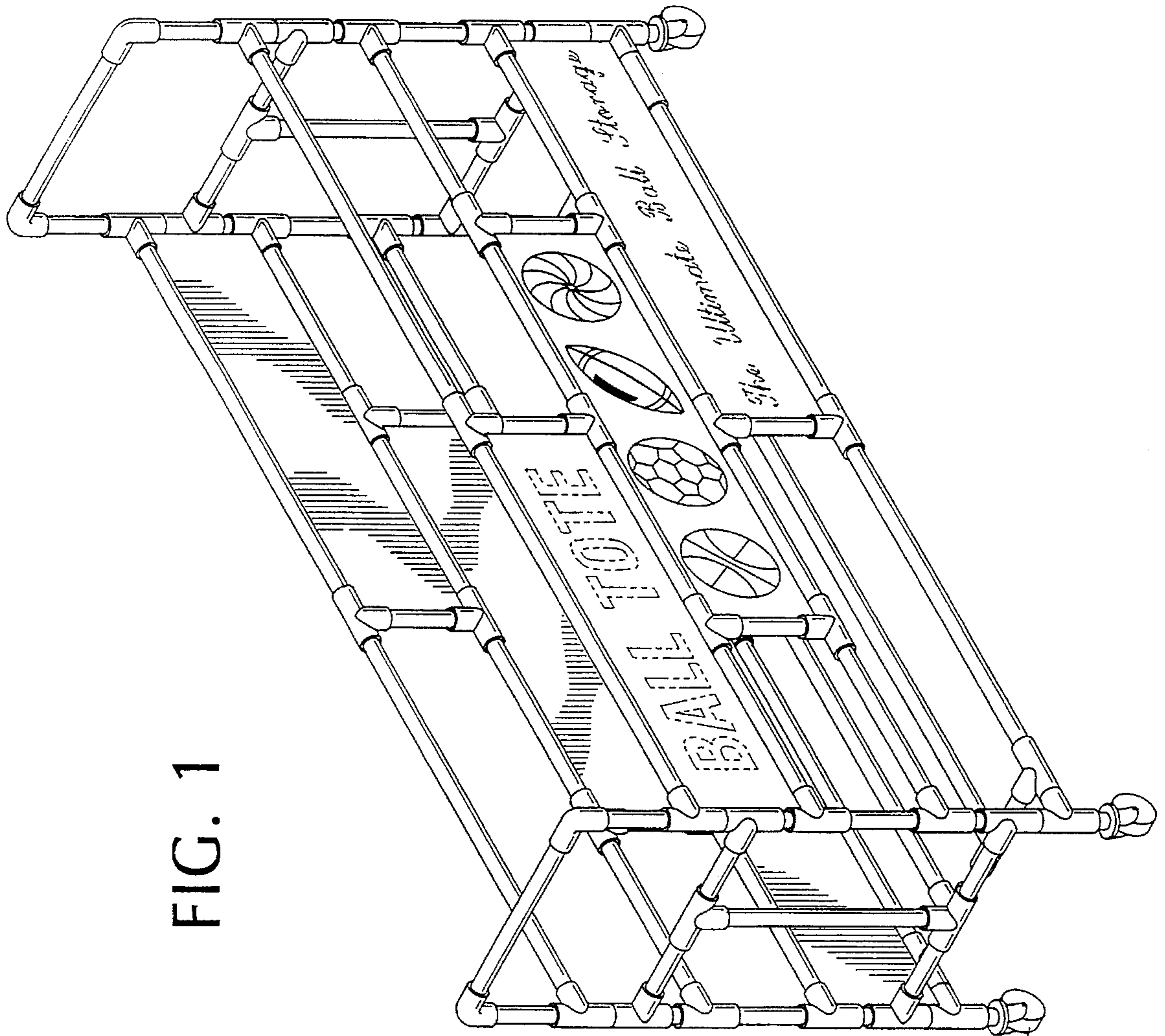


FIG. 2

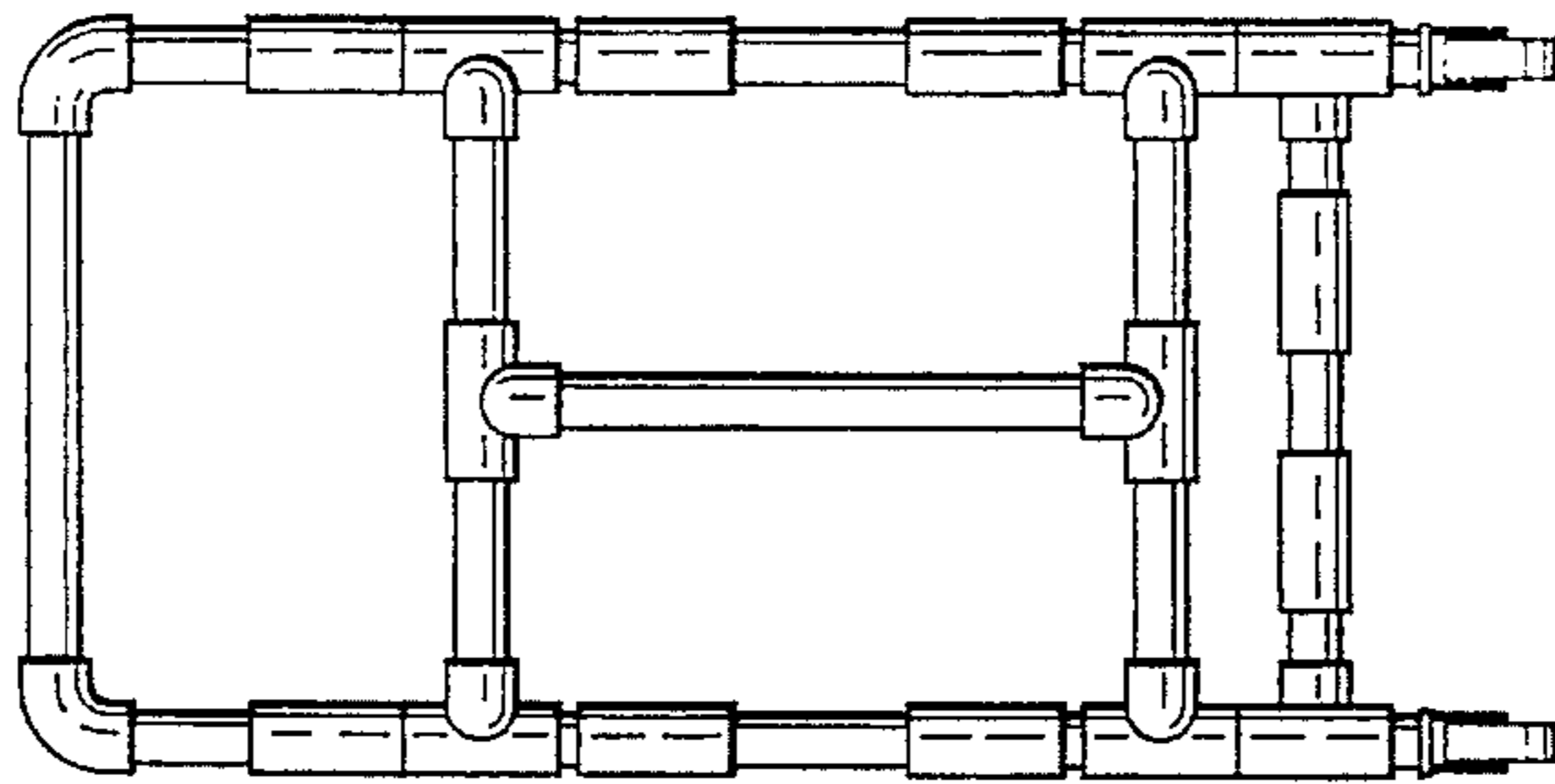


FIG. 3

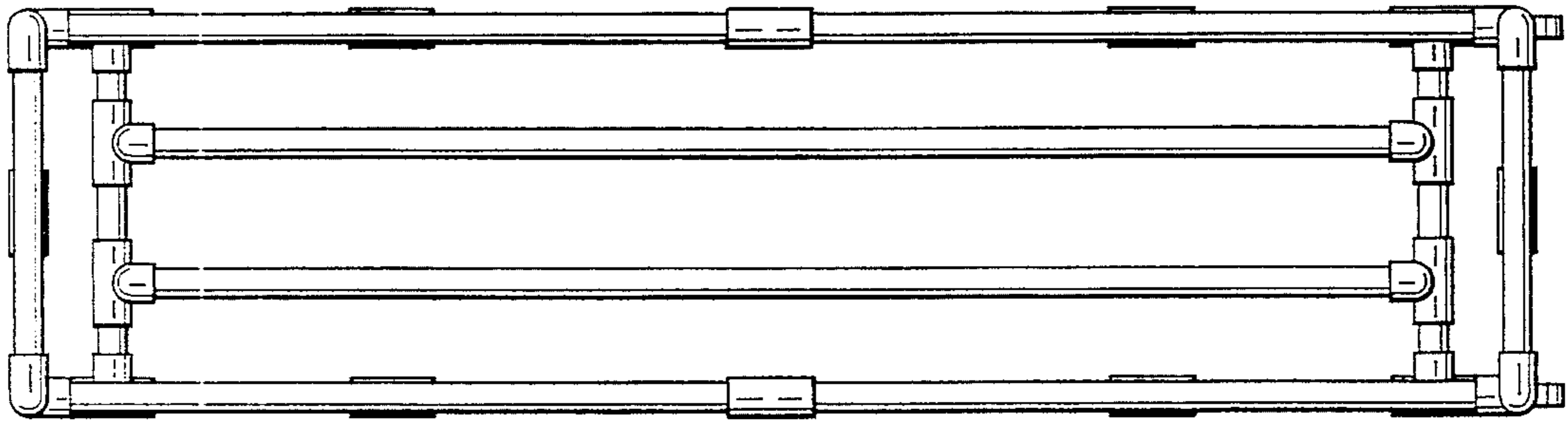


FIG. 4

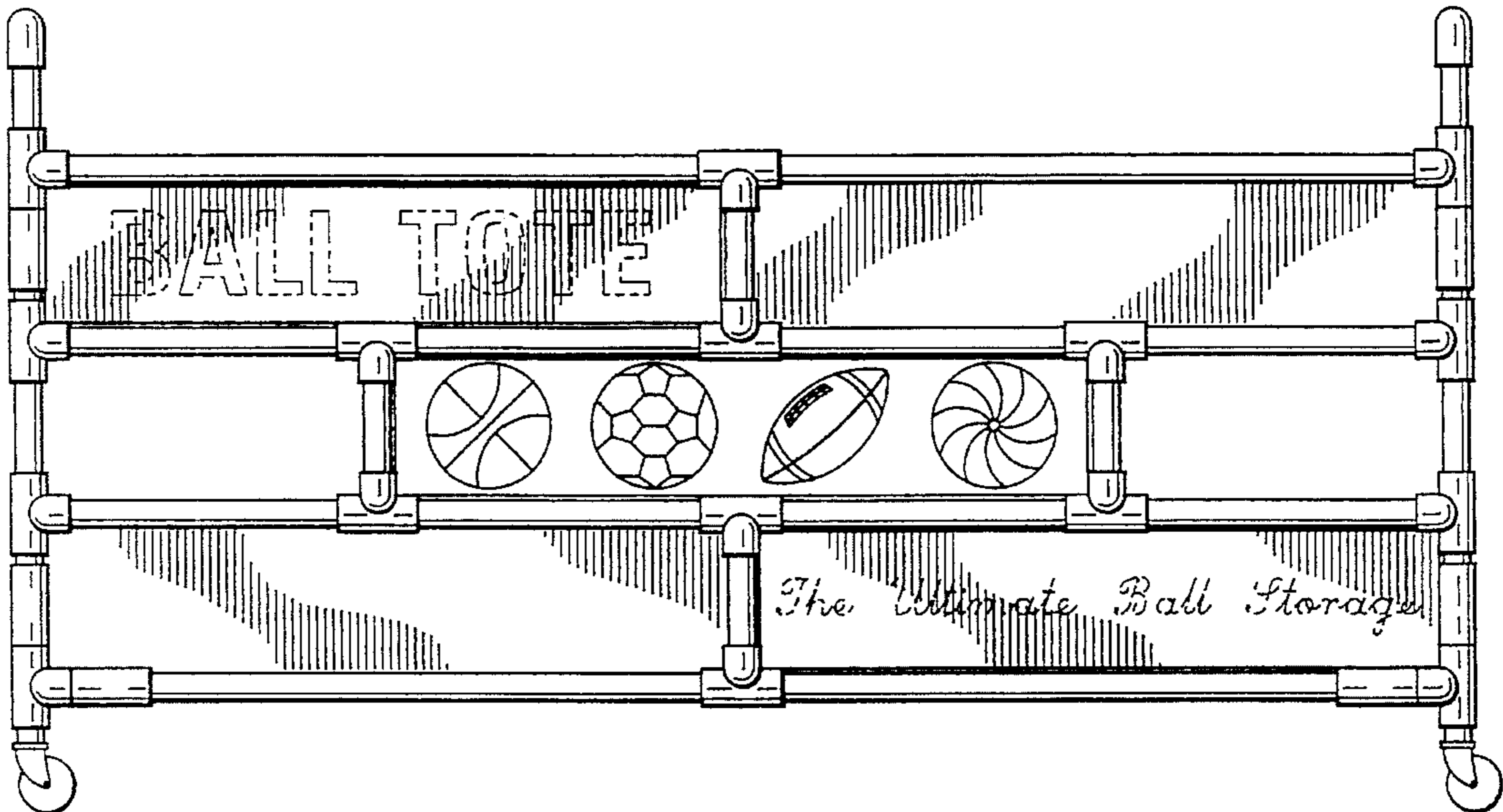


FIG. 5

