



US00D365715S

# United States Patent [19] Zebbedies

[11] Patent Number: **Des. 365,715**

[45] Date of Patent: **\*\*Jan. 2, 1996**

[54] **LONG SPINED GUN RACK**  
[76] Inventor: **Dieter H. Zebbedies**, 4175 Springcrest Dr., Brooklyn, Ohio 44144

4,873,777 10/1989 Southard ..... 211/64 X  
4,998,944 3/1991 Lund ..... 42/94  
5,129,563 7/1992 Dillon ..... 224/275  
5,350,094 9/1994 Morford ..... 224/913

[\*\*] Term: **14 Years**

*Primary Examiner*—Brian N. Vinson  
*Attorney, Agent, or Firm*—Roger D. Emerson

[21] Appl. No.: **31,464**

[57] **CLAIM**

[22] Filed: **Nov. 28, 1994**

The ornamental design for a long spined gun rack, as shown and described.

[52] U.S. Cl. .... **D6/552**

[58] Field of Search ..... D6/552; 211/13, 211/60.1, 64; 224/913; 248/309.1

### DESCRIPTION

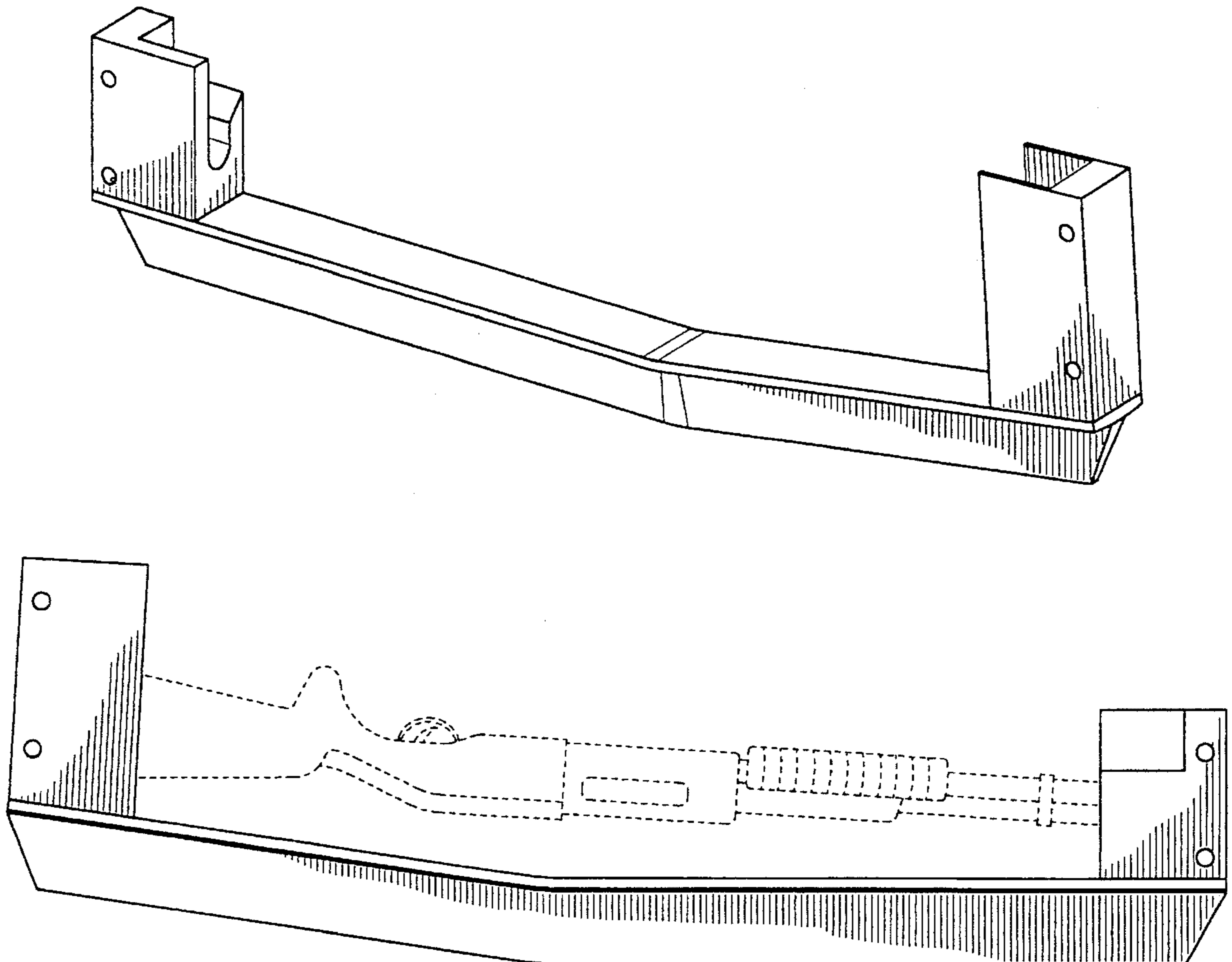
[56] **References Cited**

#### U.S. PATENT DOCUMENTS

D. 130,816	12/1941	Johnson	.....	D6/552
D. 313,886	1/1991	Southard	.....	D6/552
3,473,673	10/1969	Porter	.....	211/64
3,917,071	11/1975	Walters	.....	211/64
4,120,436	10/1978	Burch	.....	224/64
4,360,179	11/1982	Roberts	.....	248/309.1 X
4,364,499	12/1982	McCue	.....	224/913 X
4,852,780	8/1989	Woodbury	.....	224/913

FIG. 1 is a elevational perspective view of the invention; FIG. 2 is a elevational, perspective view of the invention; FIG. 3 is a front elevational view of the invention with the broken-line disclosure of a shotgun being for illustrative purposes only and forming no part of the claimed design; FIG. 4 is a left end view of the invention; FIG. 5 is a right end view of the invention; FIG. 6 is a top view of the invention; and, FIG. 7 is a bottom view of the invention.

**1 Claim, 2 Drawing Sheets**



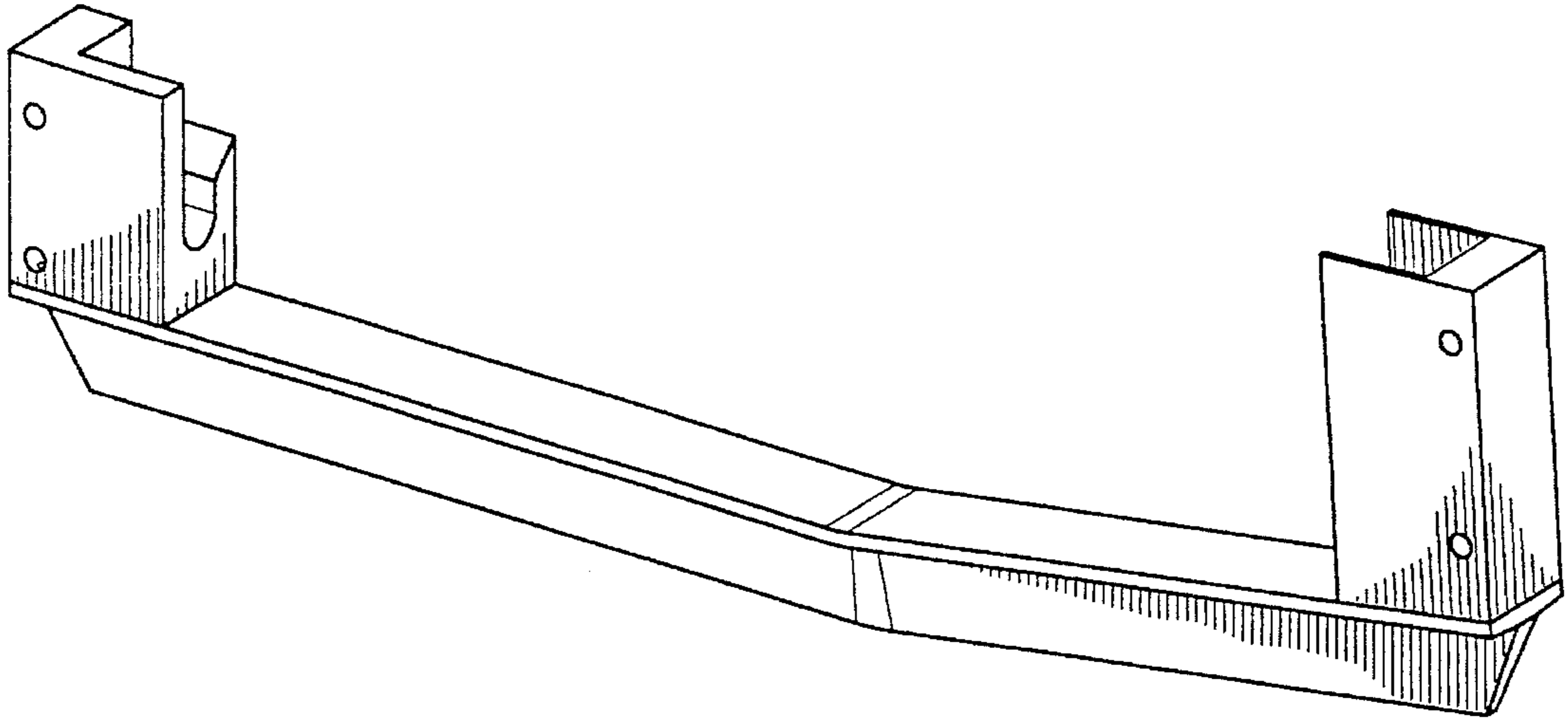


FIG-1

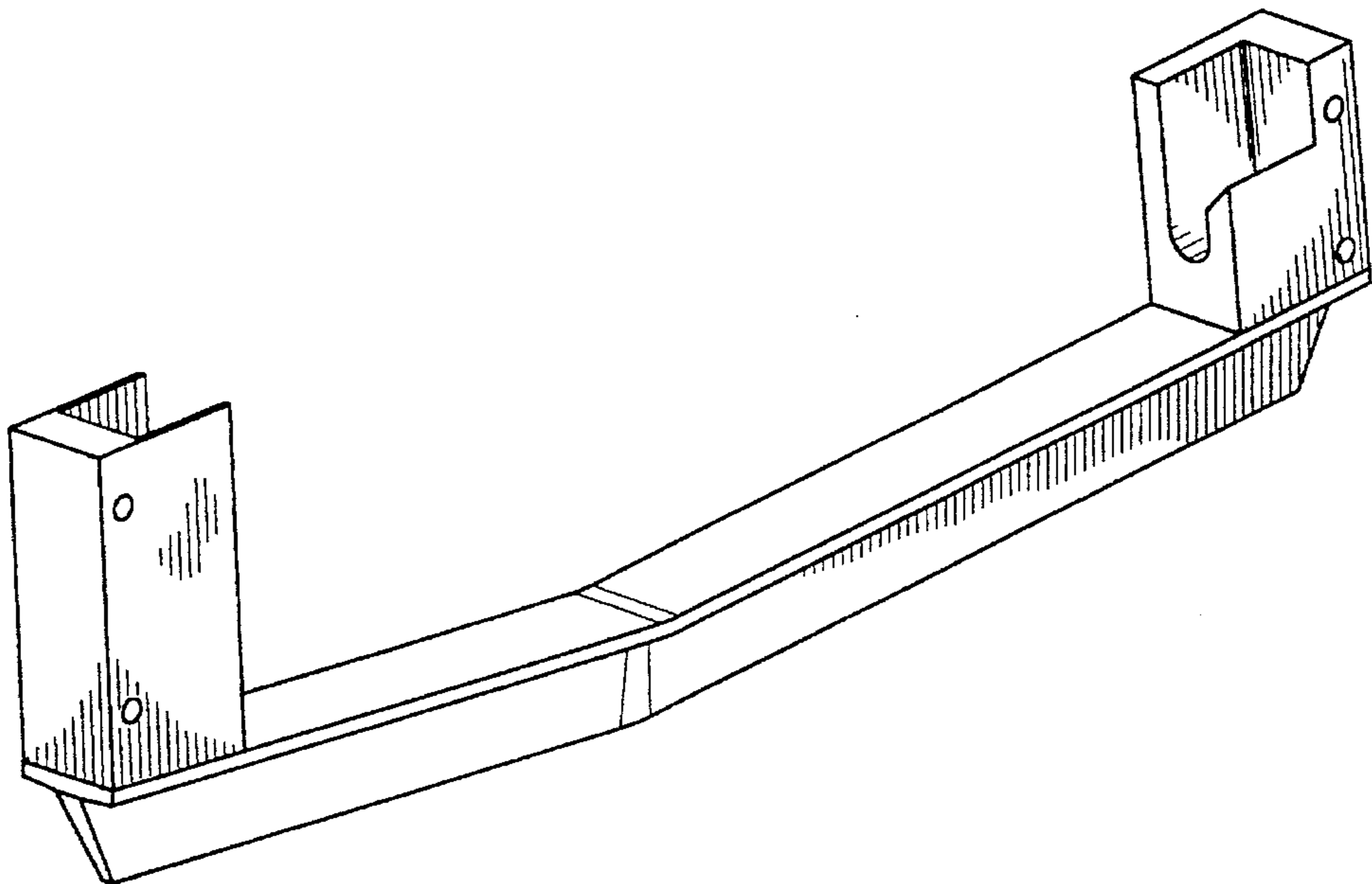


FIG-2



FIG-6

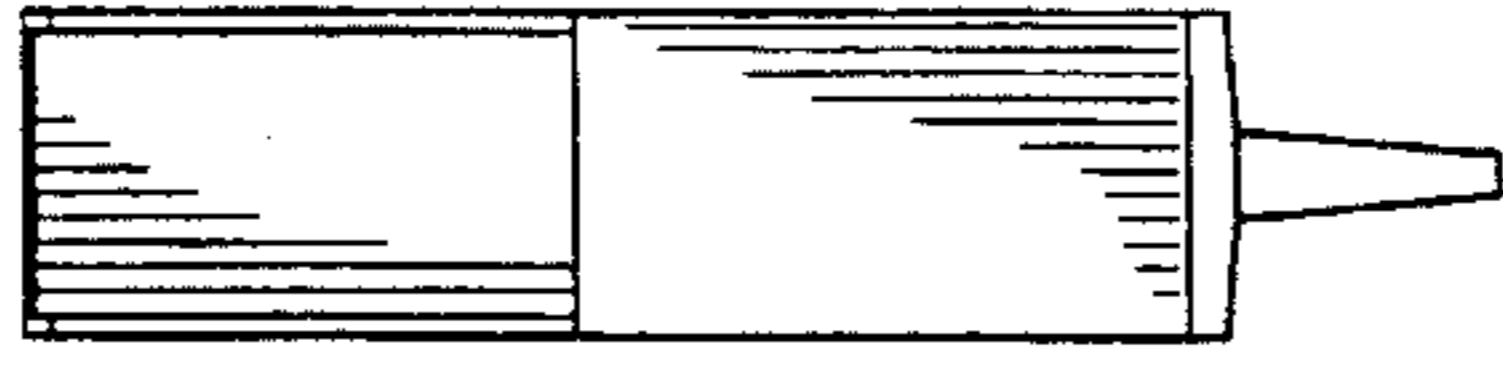


FIG-5

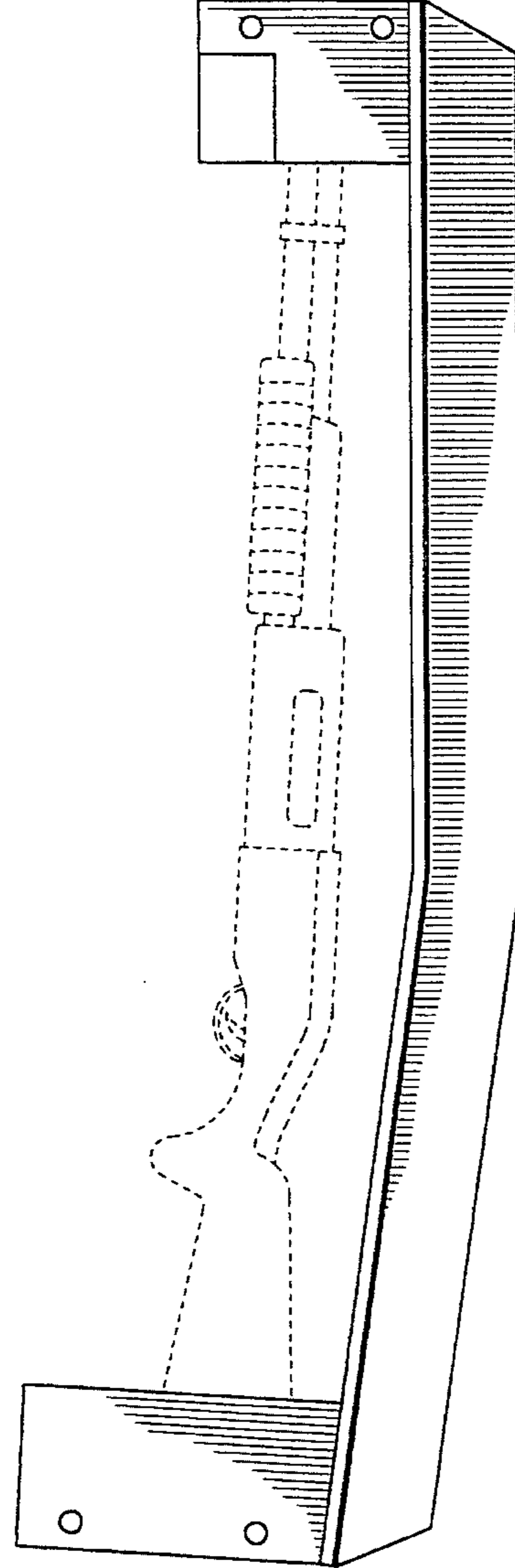


FIG-3



FIG-4

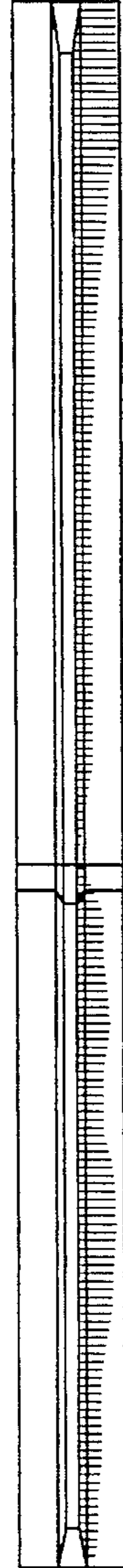


FIG-7