



US00D365713S

United States Patent [19]
Chen

[11] **Patent Number: Des. 365,713**

[45] **Date of Patent: **Jan. 2, 1996**

[54] **PAPER TOWEL HOLDER**

2,098,477 11/1937 Welsh 221/53 X

[75] Inventor: **Cheng-Feng Chen**, Taipei, Taiwan

Primary Examiner—Brian N. Vinson

[73] Assignee: **Bobson Hygiene International, Inc.**,
Taipei, Taiwan

Attorney, Agent, or Firm—Skjerven, Morrill, MacPherson,
Franklin & Friel

[**] Term: **14 Years**

[57] **CLAIM**

The ornamental design for paper towel holder, as shown and described.

[21] Appl. No.: **34,301**

DESCRIPTION

[22] Filed: **Feb. 1, 1995**

[52] U.S. Cl. **D6/522**

[58] **Field of Search** D6/515-523; 242/570;
312/34.1, 34.8; 221/33, 45, 48, 55, 282-286

FIG. 1 is a perspective view of paper towel holder showing my new design;

FIG. 2 is a front elevational view thereof;

FIG. 3 is a rear elevational view thereof;

FIG. 4 is a left side elevational view thereof;

FIG. 5 is a right side elevational view thereof;

FIG. 6 is a top plan view thereof; and,

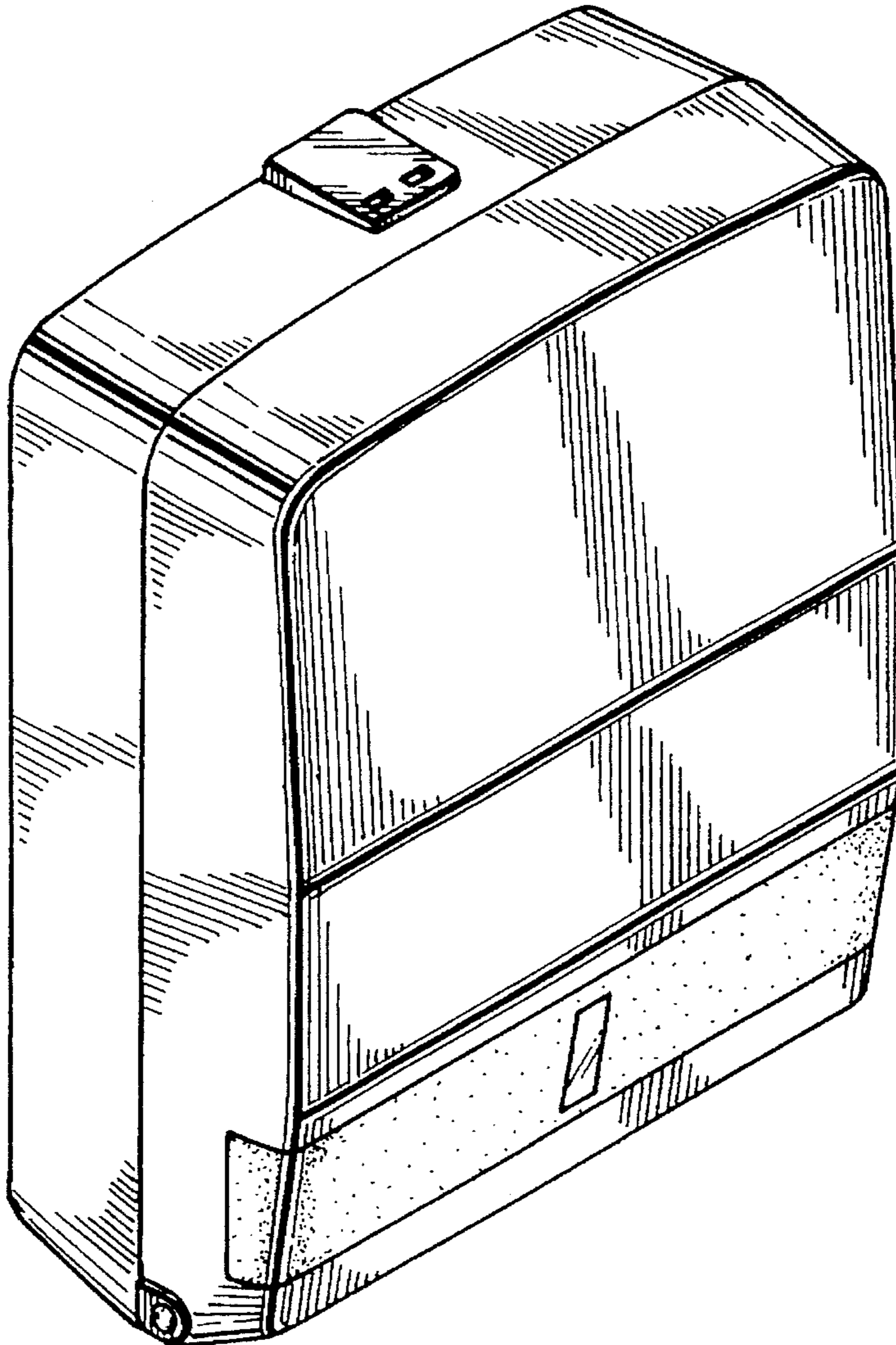
FIG. 7 is a bottom plan view thereof.

[56] **References Cited**

U.S. PATENT DOCUMENTS

- D. 342,407 12/1993 Morand D6/522
- D. 346,519 5/1994 Krueger et al. D6/522
- D. 354,871 1/1995 Frazier et al. D6/522

1 Claim, 4 Drawing Sheets



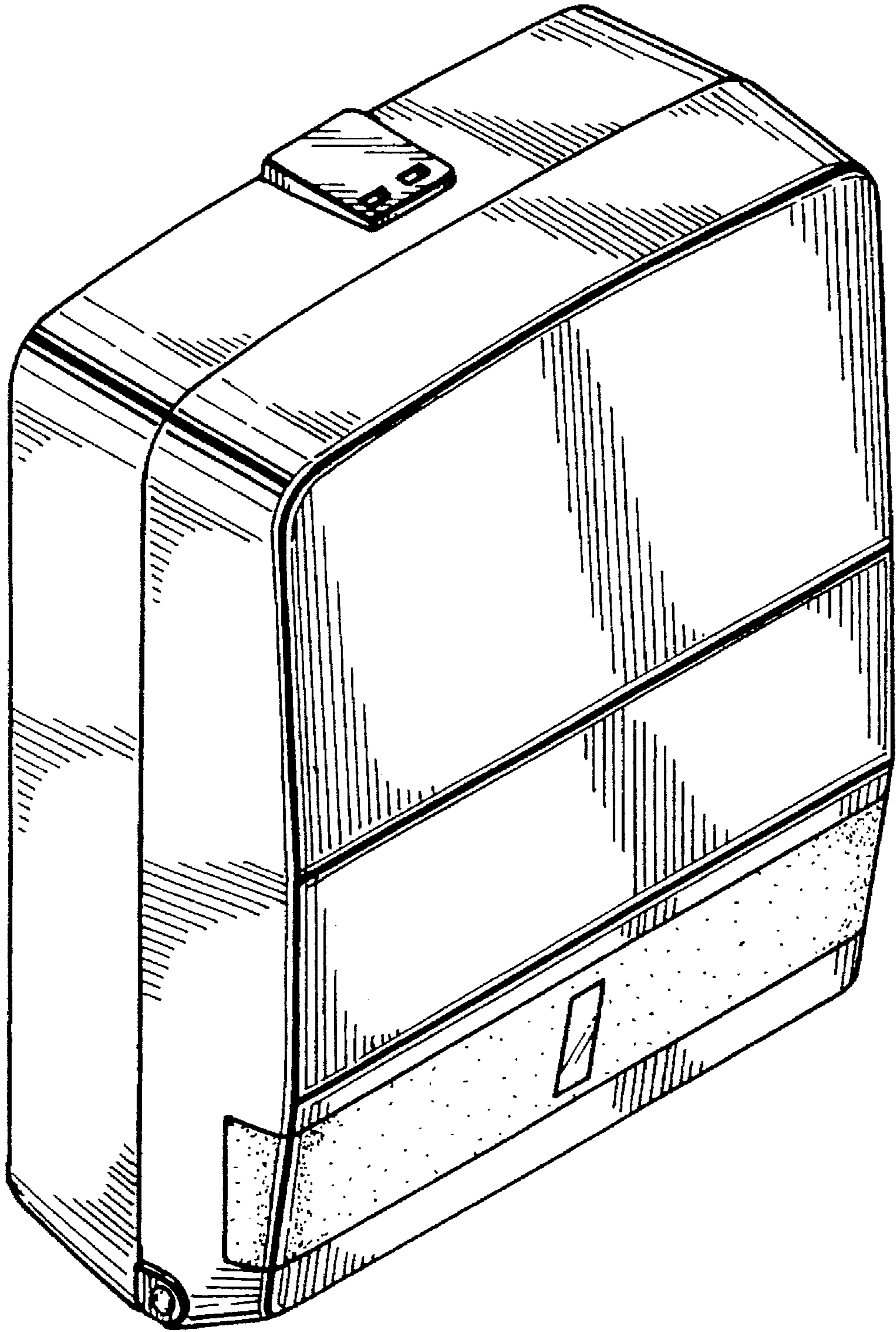


FIG. 1

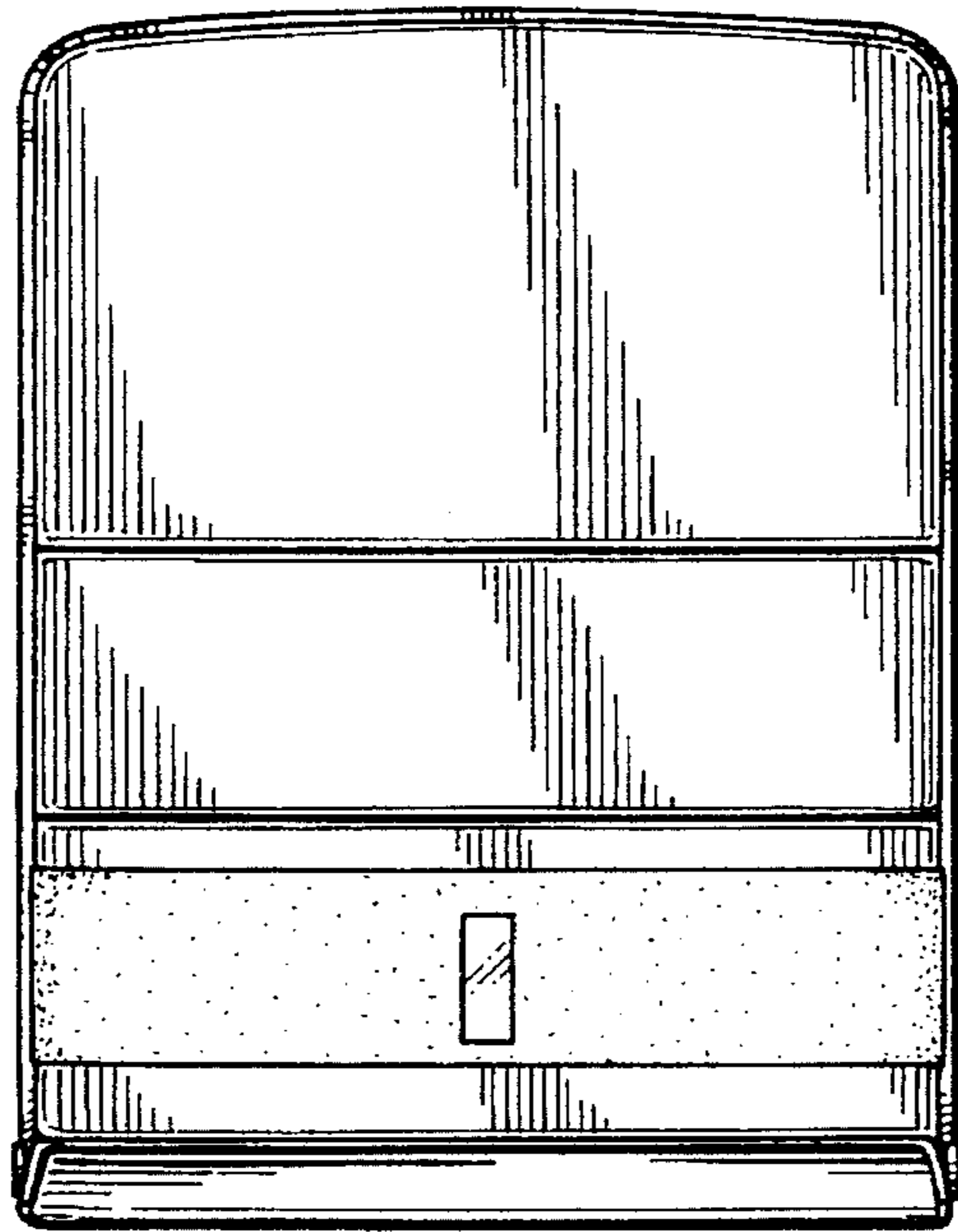


FIG. 2

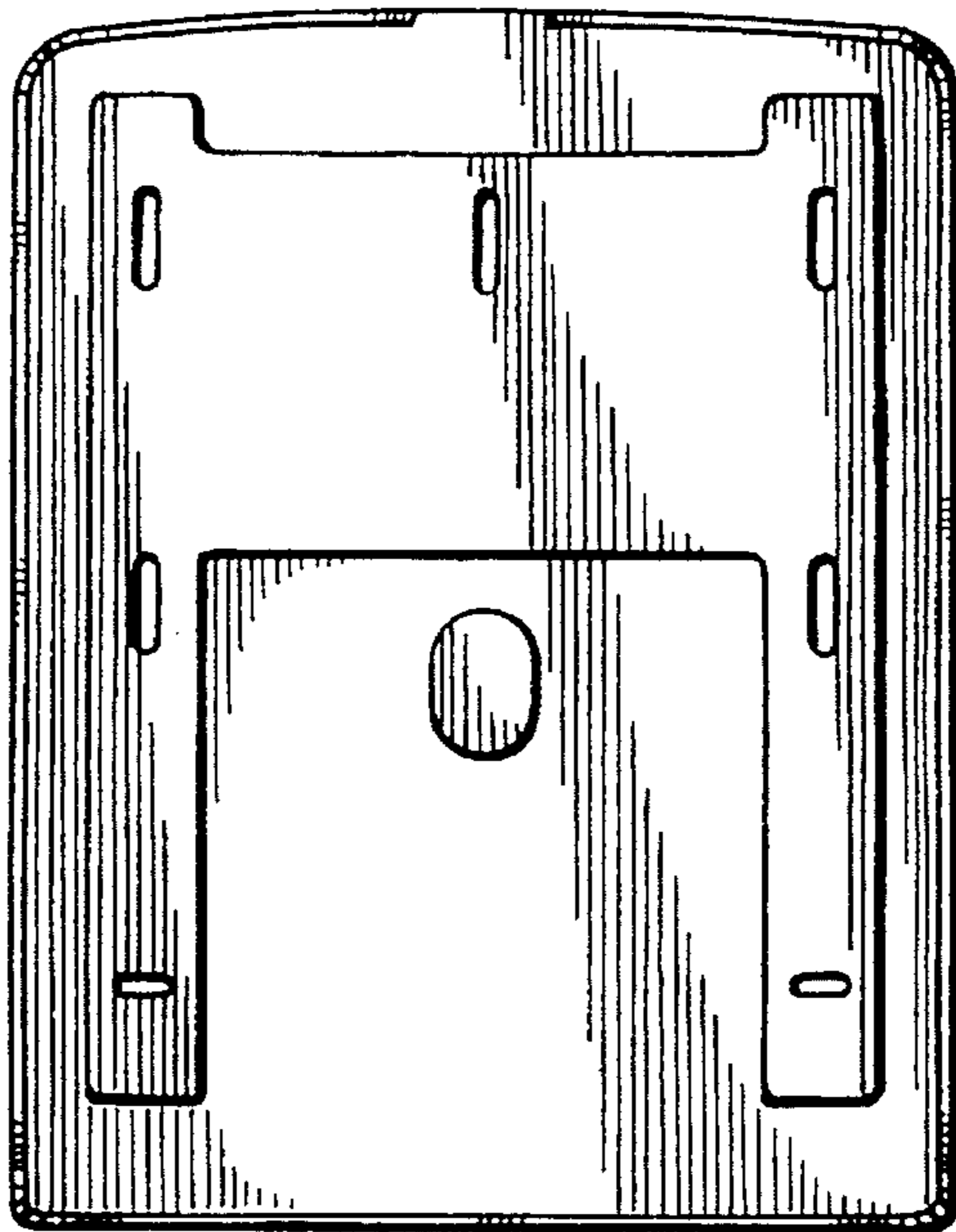


FIG. 3

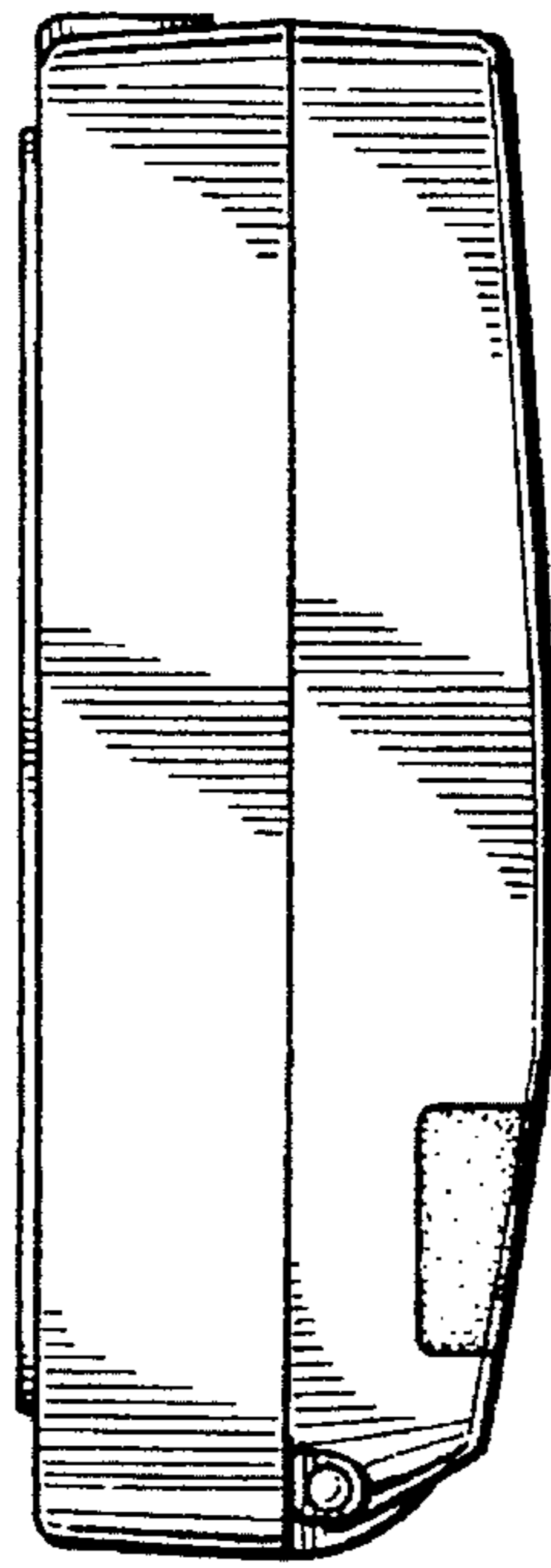


FIG. 4

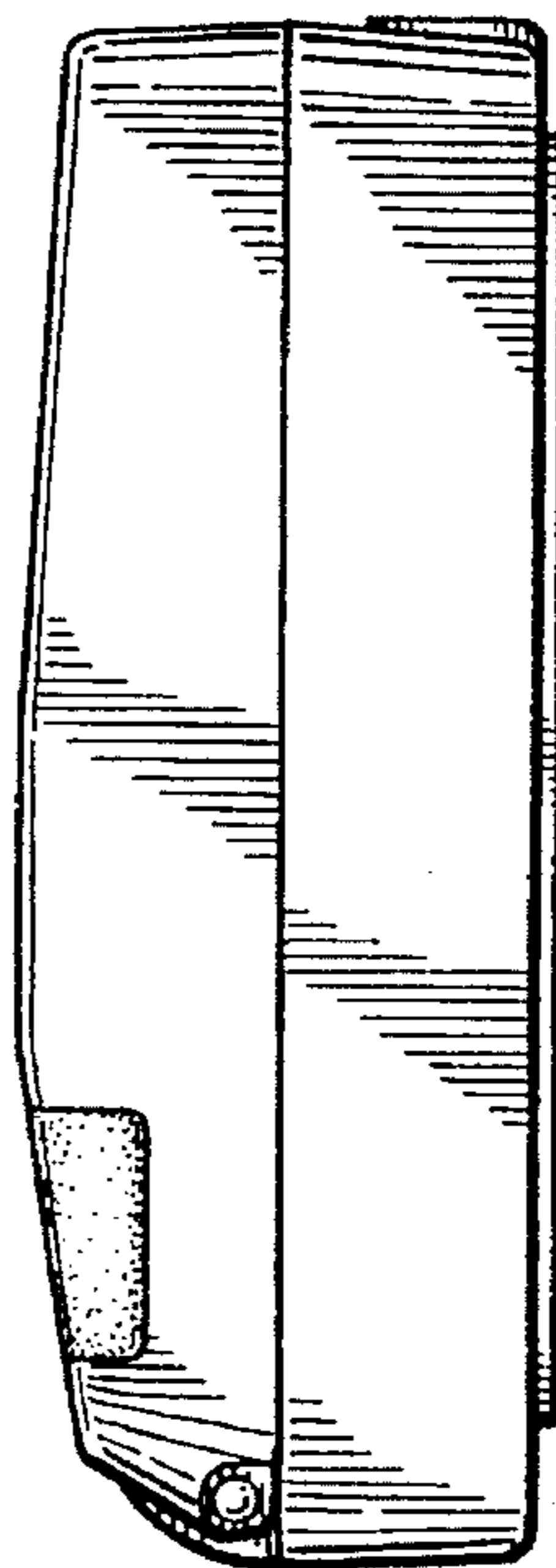


FIG. 5

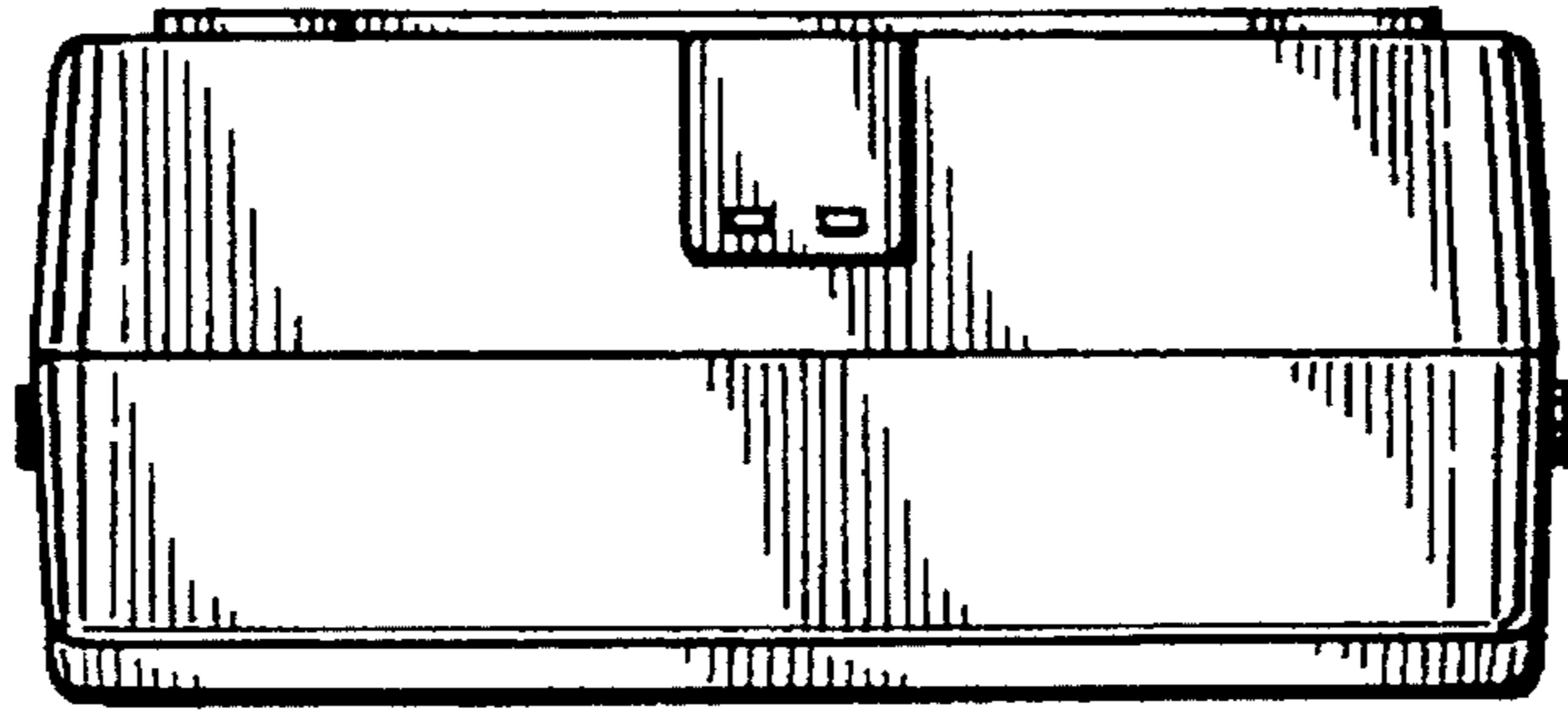


FIG. 6

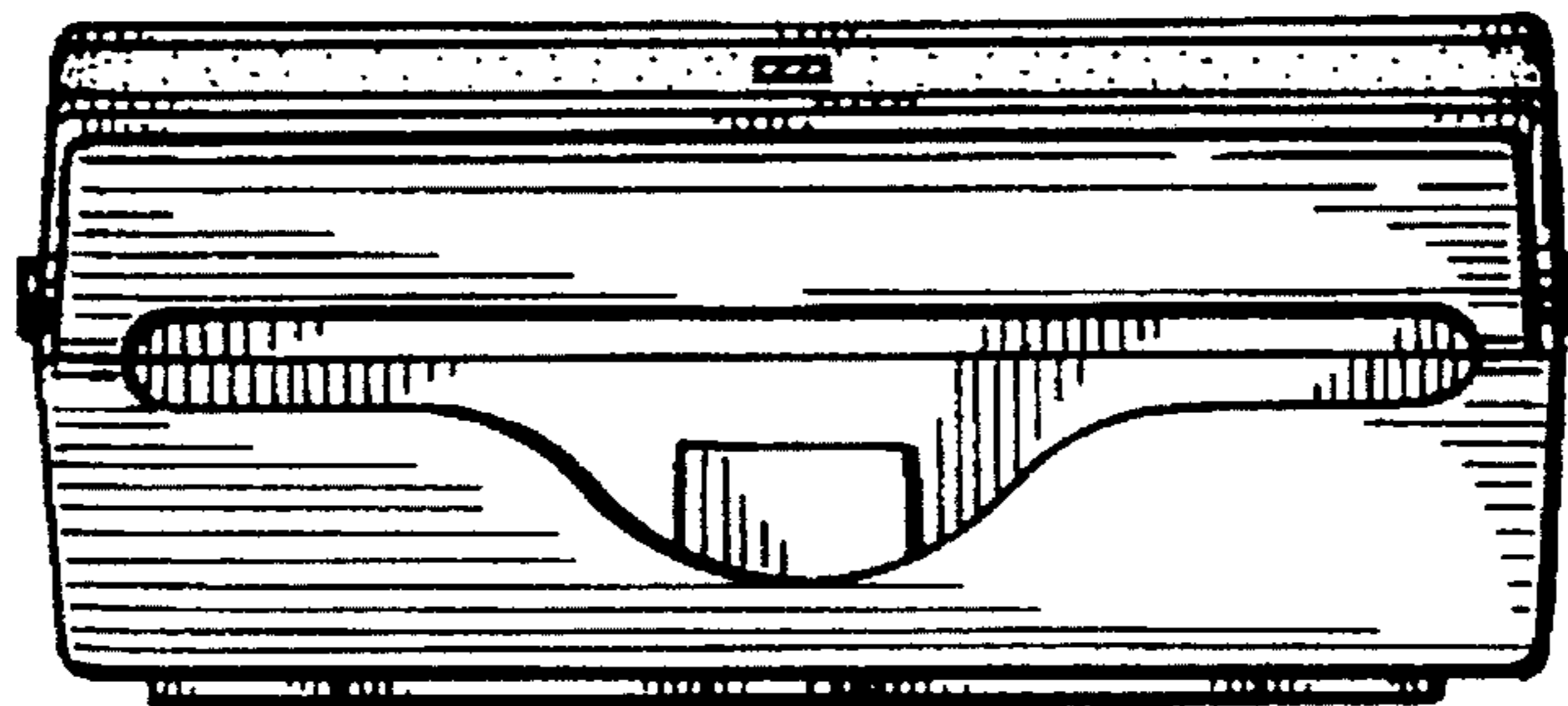


FIG. 7