



US00D365712S

United States Patent [19] Smith

[11] Patent Number: **Des. 365,712**

[45] Date of Patent: ****Jan. 2, 1996**

[54] **DESK TOP**

[75] Inventor: **John H. Smith**, Auckland, New Zealand

[73] Assignee: **Criterion Manufacturing Limited**, Auckland, New Zealand

[**] Term: **14 Years**

[21] Appl. No.: **10,741**

[22] Filed: **Jun. 15, 1993**

[30] Foreign Application Priority Data

Dec. 15, 1992 [AU] Australia 363792

[52] U.S. Cl. **D6/511**

[58] Field of Search D6/422-428, 480, D6/482, 484, 511; 312/194-196; 108/59, 60, 64

[56] References Cited

U.S. PATENT DOCUMENTS

D. 80,593	2/1930	Wege	D6/426
D. 105,836	8/1937	Brainard	D6/426
D. 160,107	9/1950	Moffitt	D6/474
D. 184,036	12/1958	Carlson	D6/397
D. 323,260	1/1992	Lewis	D6/474

D. 333,228	2/1993	Hosoe	D6/429 X
D. 353,959	1/1995	Kovacevic	D6/482
D. 359,405	6/1995	Ball	D6/482

Primary Examiner—Carmen H. Vales-Lado
Attorney, Agent, or Firm—Jacobson, Price, Holman & Stern

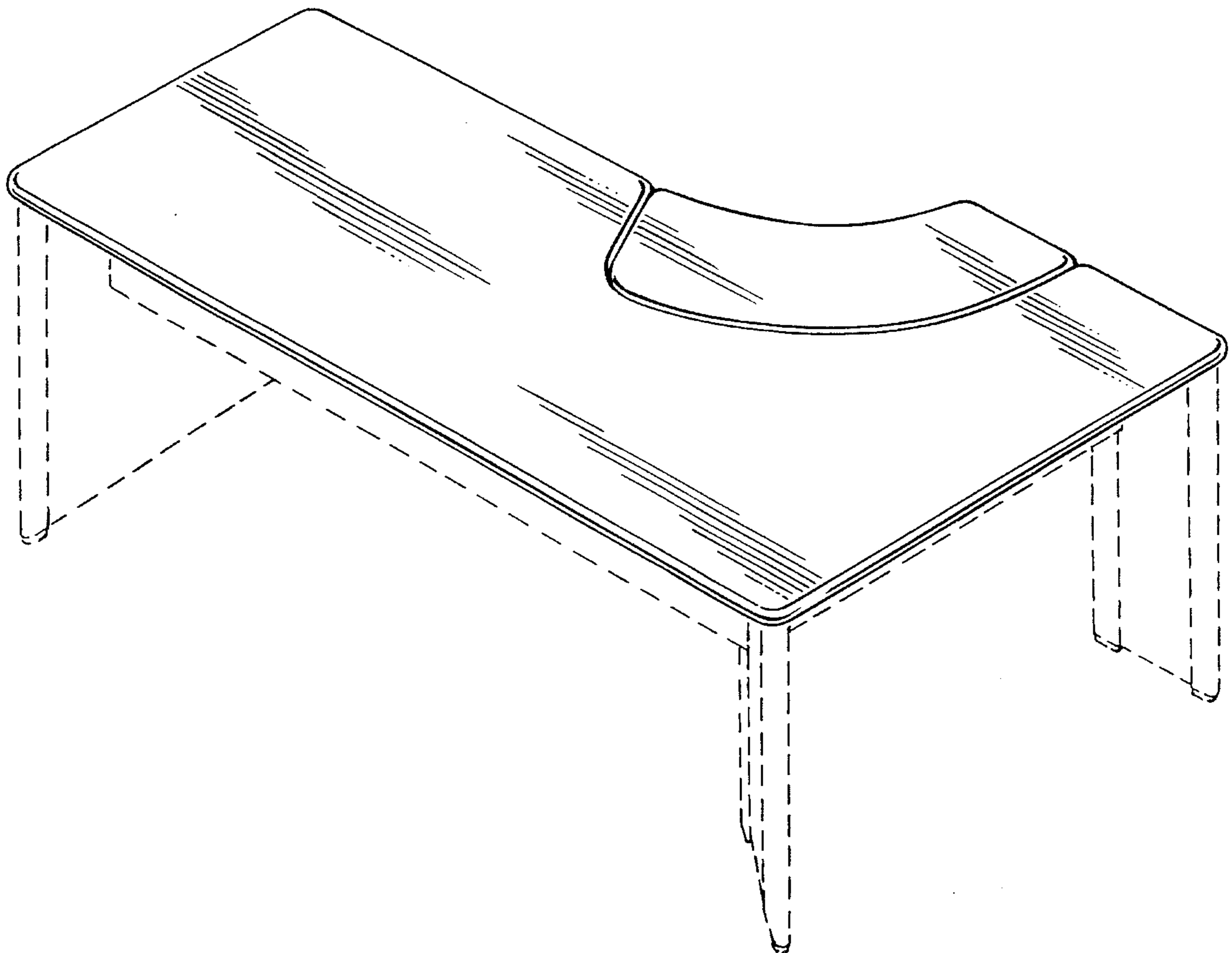
[57] CLAIM

The ornamental design for a desk top, as shown and described.

DESCRIPTION

FIG. 1 is a top plan view of a desk top showing my new design;
 FIG. 2 is a front elevational view thereof, the elements shown in broken lines are for illustrative purposes only;
 FIG. 3 is a bottom plan view thereof, the elements shown in broken lines are for illustrative purposes only;
 FIG. 4 is a rear elevational view thereof, the elements shown in broken lines are for illustrative purposes only;
 FIG. 5 is a right side elevational view thereof, the elements shown in broken lines are for illustrative purposes only;
 FIG. 6 is a left side elevational view thereof, the elements shown in broken lines are for illustrative purposes only; and
 FIG. 7 is a perspective view thereof, the elements shown in broken lines are for illustrative purposes only.

1 Claim, 3 Drawing Sheets



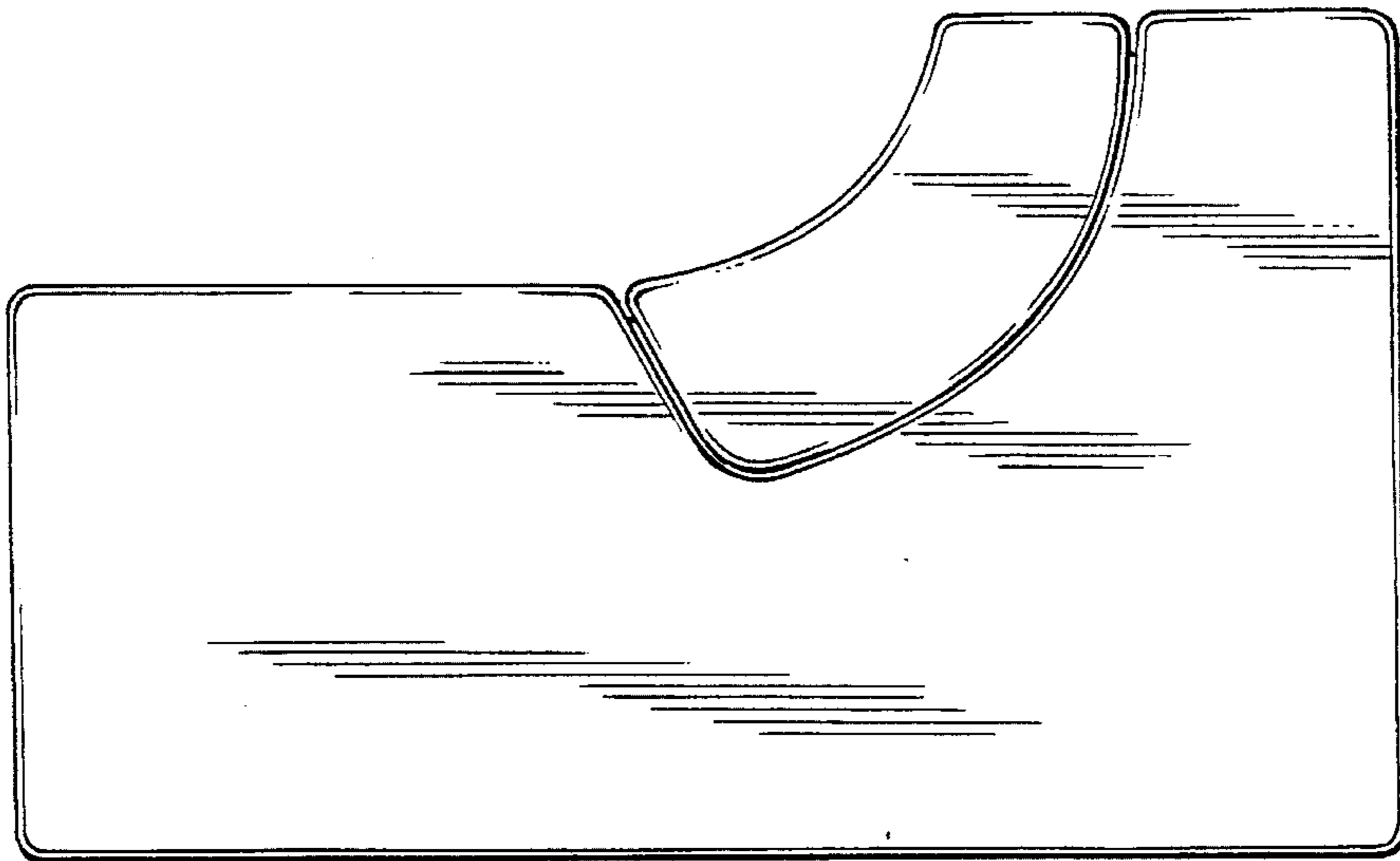


FIG. 1

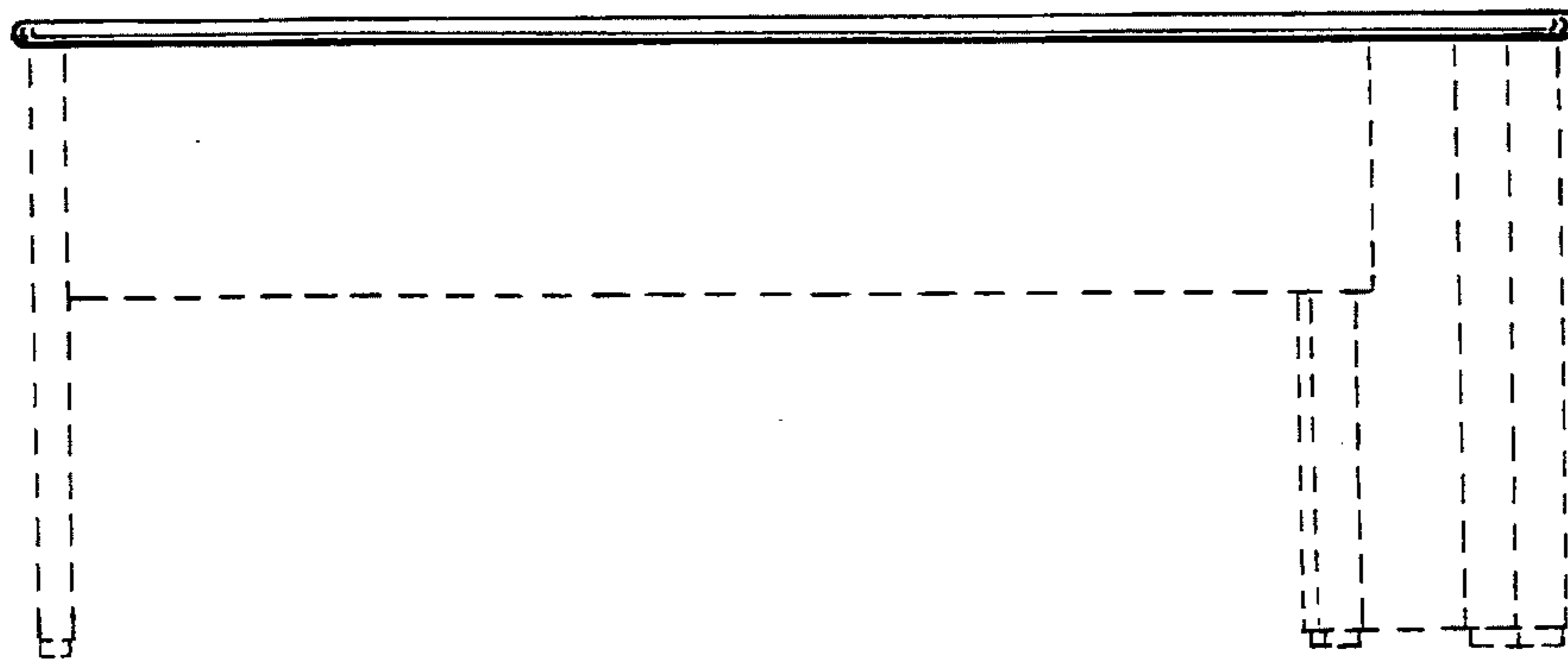


FIG. 2

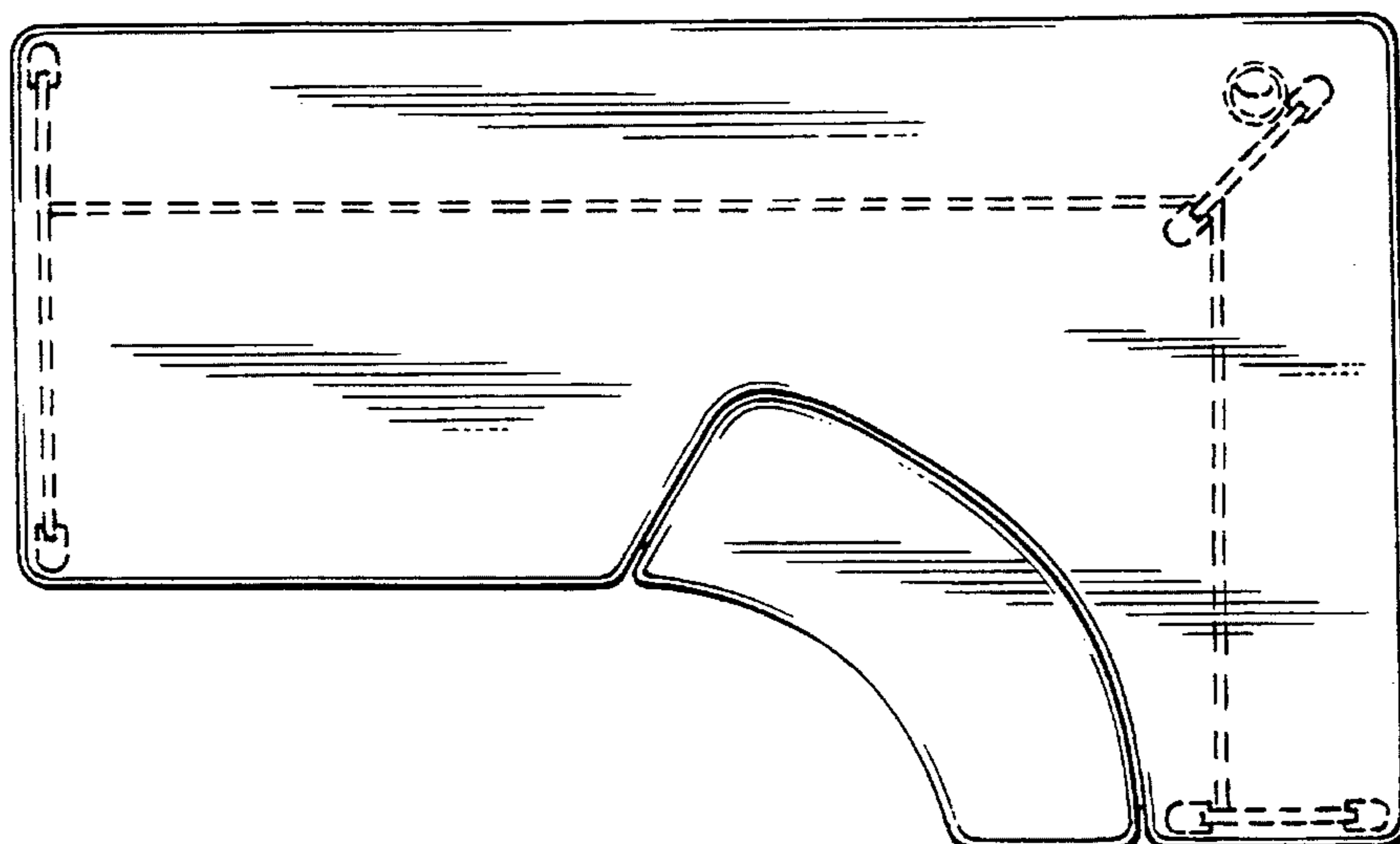


FIG. 3

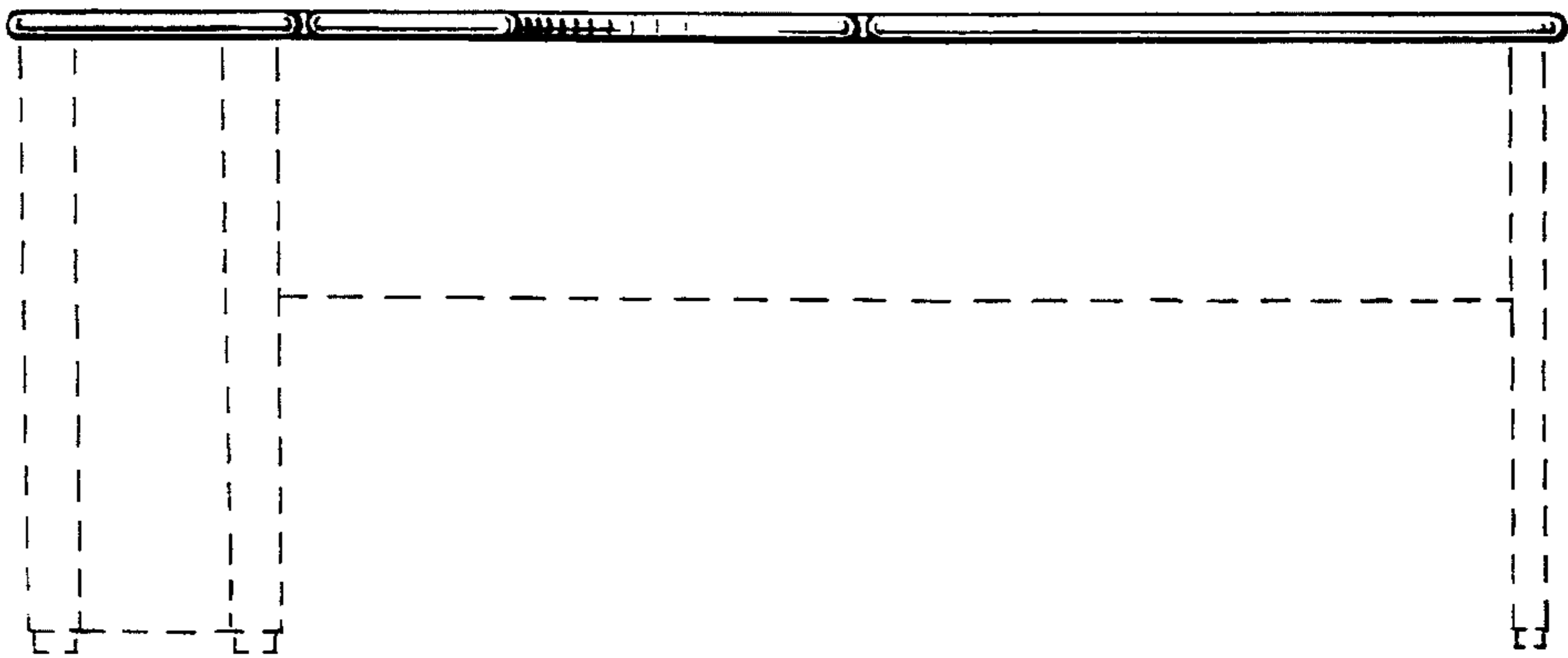


FIG. 4

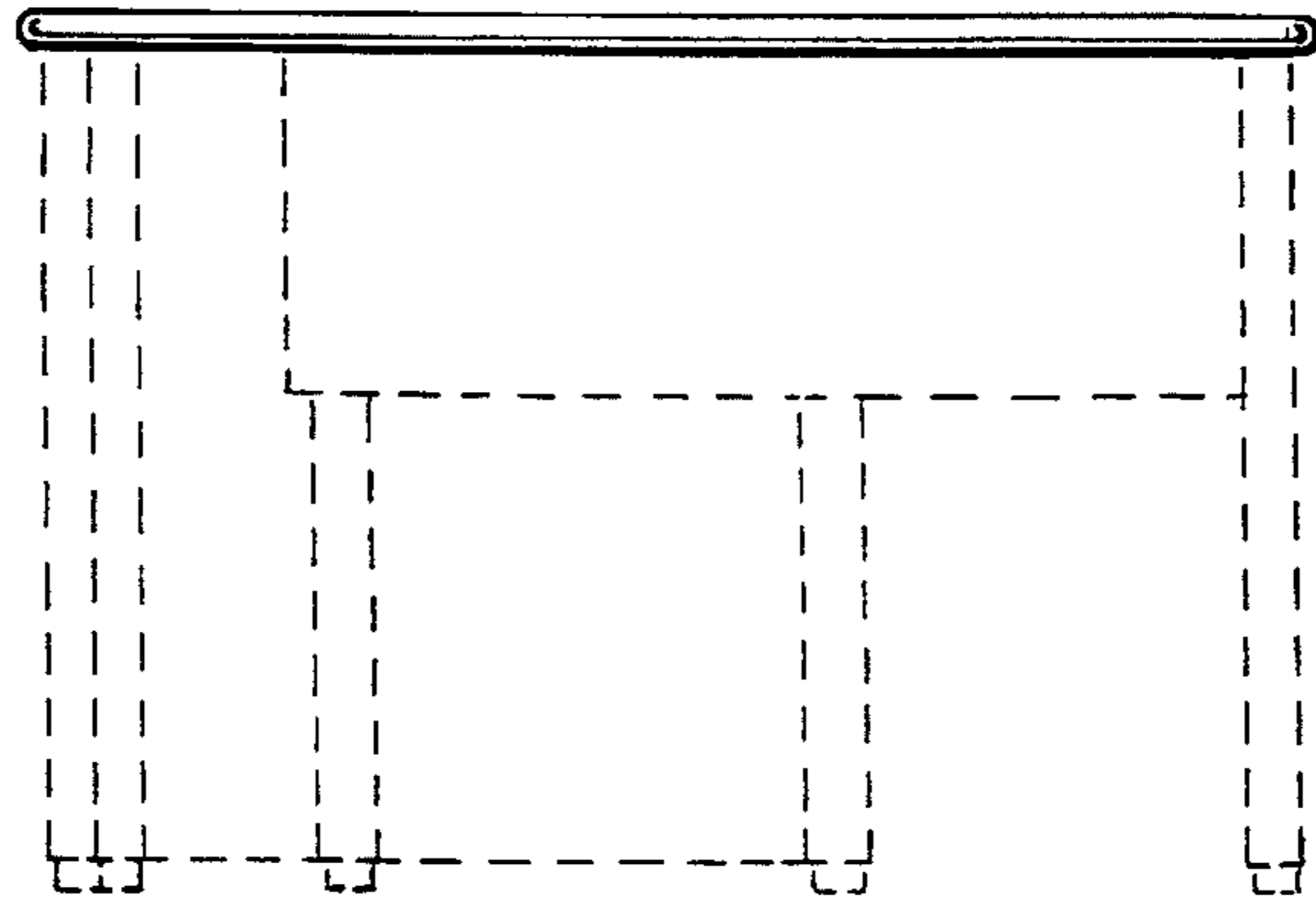


FIG. 5

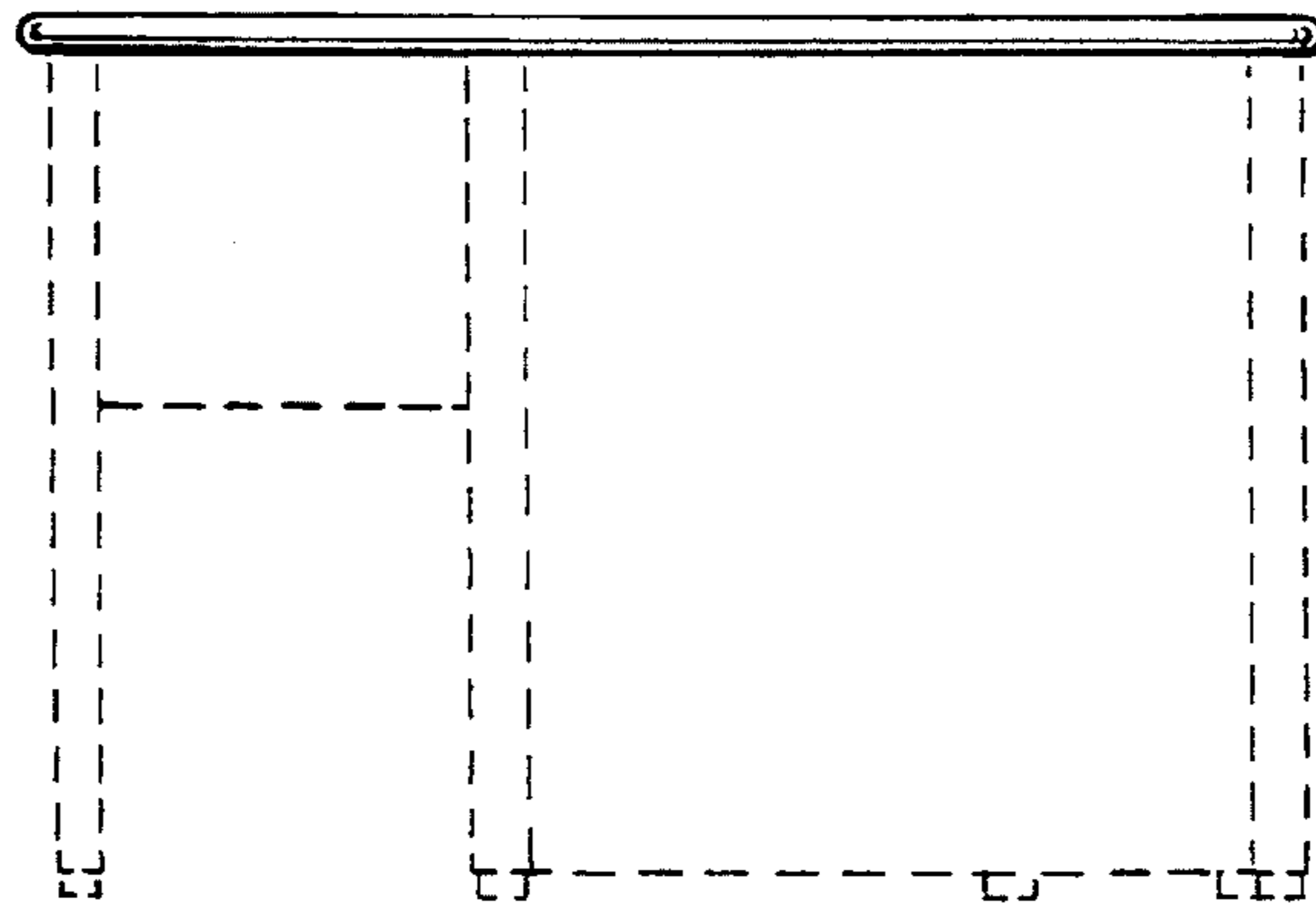


FIG. 6

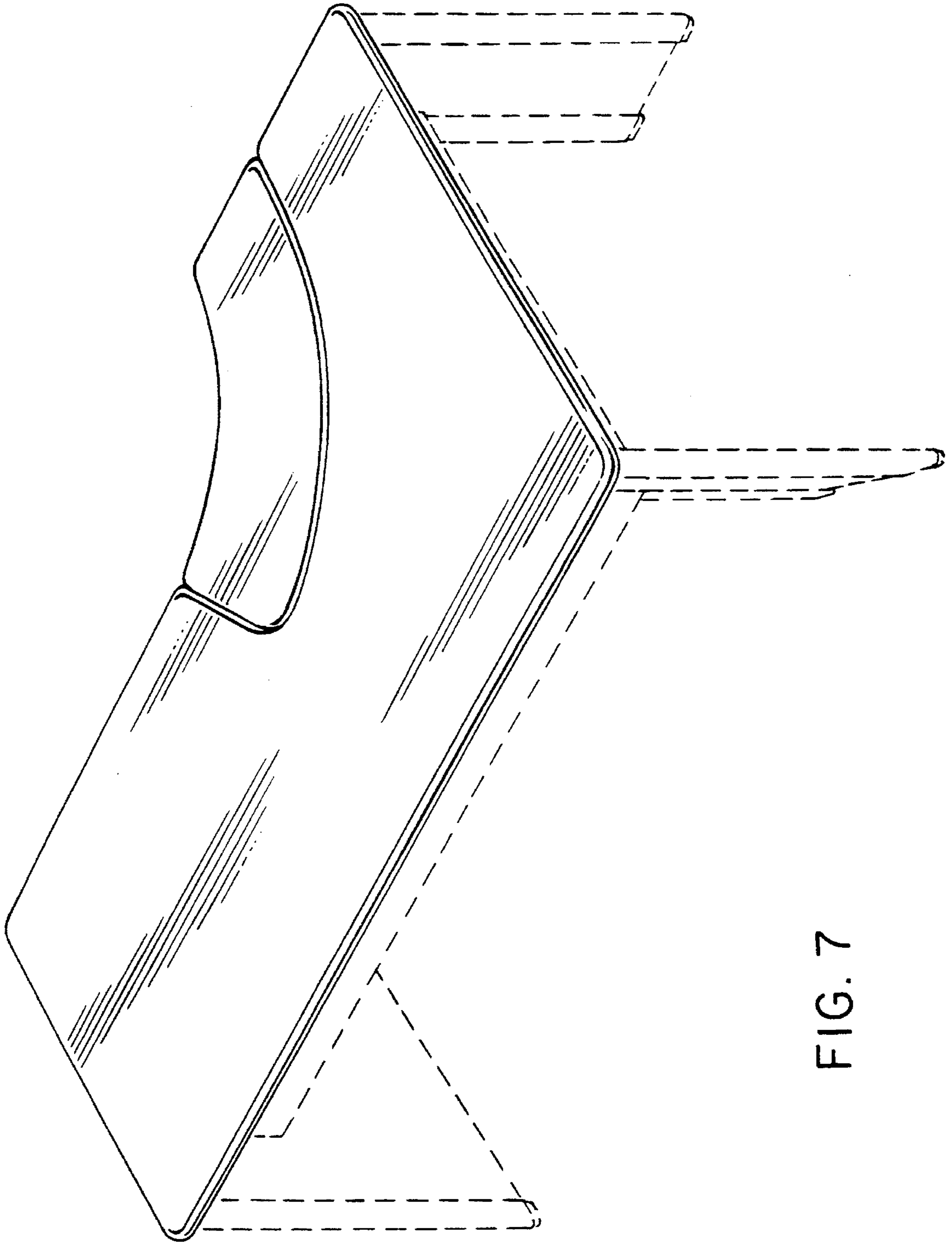


FIG. 7