



US00D365699S

# United States Patent [19]

[11] Patent Number: **Des. 365,699**

Lechleiter et al.

[45] Date of Patent: **\*\*Jan. 2, 1996**

[54] DISPLAY

D. 277,057 1/1985 Franklin ..... D6/470 X

[75] Inventors: **Paul R. Lechleiter, Powell; Mark B. Artus, Beechwold, both of Ohio**

D. 286,108 10/1986 Hanlon ..... D6/332 X

D. 317,469 6/1991 Beaulieu ..... D20/10

D. 331,077 11/1992 Foster ..... D20/10

[73] Assignee: **Blockbuster Entertainment Corp., Ft. Lauderdale, Fla.**

*Primary Examiner*—Carmen H. Vales-Lado  
*Attorney, Agent, or Firm*—Akin, Gump, Strauss, Hauer & Feld

[\*\*] Term: **14 Years**

## [57] CLAIM

[21] Appl. No.: **27,751**

The ornamental design for a display, as shown and described.

[22] Filed: **Aug. 29, 1994**

[52] U.S. Cl. .... **D6/399; D6/332**

## DESCRIPTION

[58] Field of Search ..... D6/332, 397, 396, D6/399, 449, 481, 450; D20/10, 18, 19, 29, 34, 40, 41; D25/58, 59, 60; 312/7.2, 9.1, 114

FIG. 1 is a perspective view of a display showing our new design;

FIG. 2 is a top plan view thereof;

FIG. 3 is a front elevational view thereof;

FIG. 4 is a right side elevational view thereof;

FIG. 5 is a left side elevational view thereof;

FIG. 6 is a bottom plain view thereof; and,

FIG. 7 is a rear elevational view thereof.

## [56] References Cited

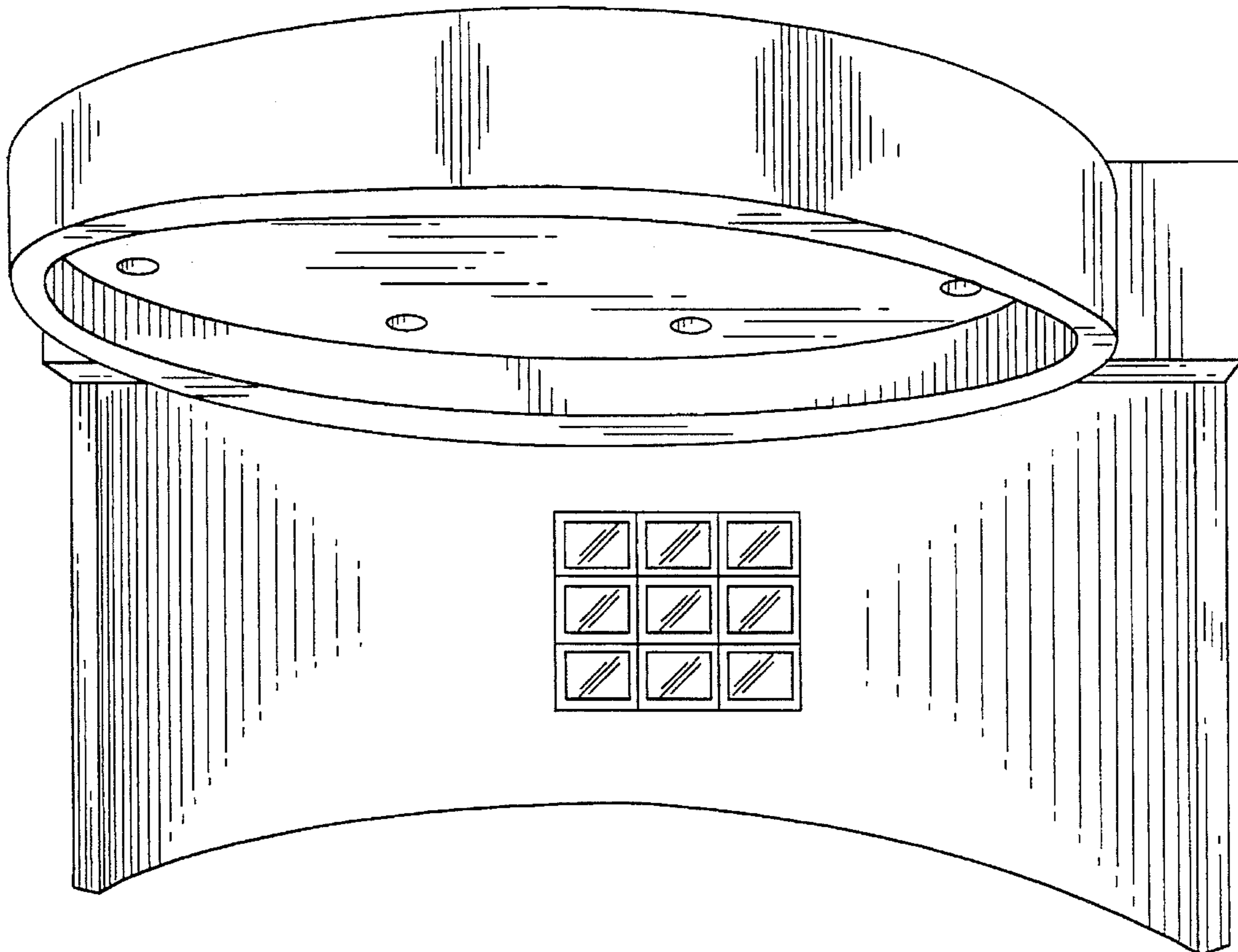
### U.S. PATENT DOCUMENTS

D. 251,759 5/1979 Pohns et al. .... D6/399 X

D. 253,143 10/1979 Shaw et al. .... D6/399

D. 269,752 7/1983 Bolyn ..... D6/437 X

**1 Claim, 4 Drawing Sheets**



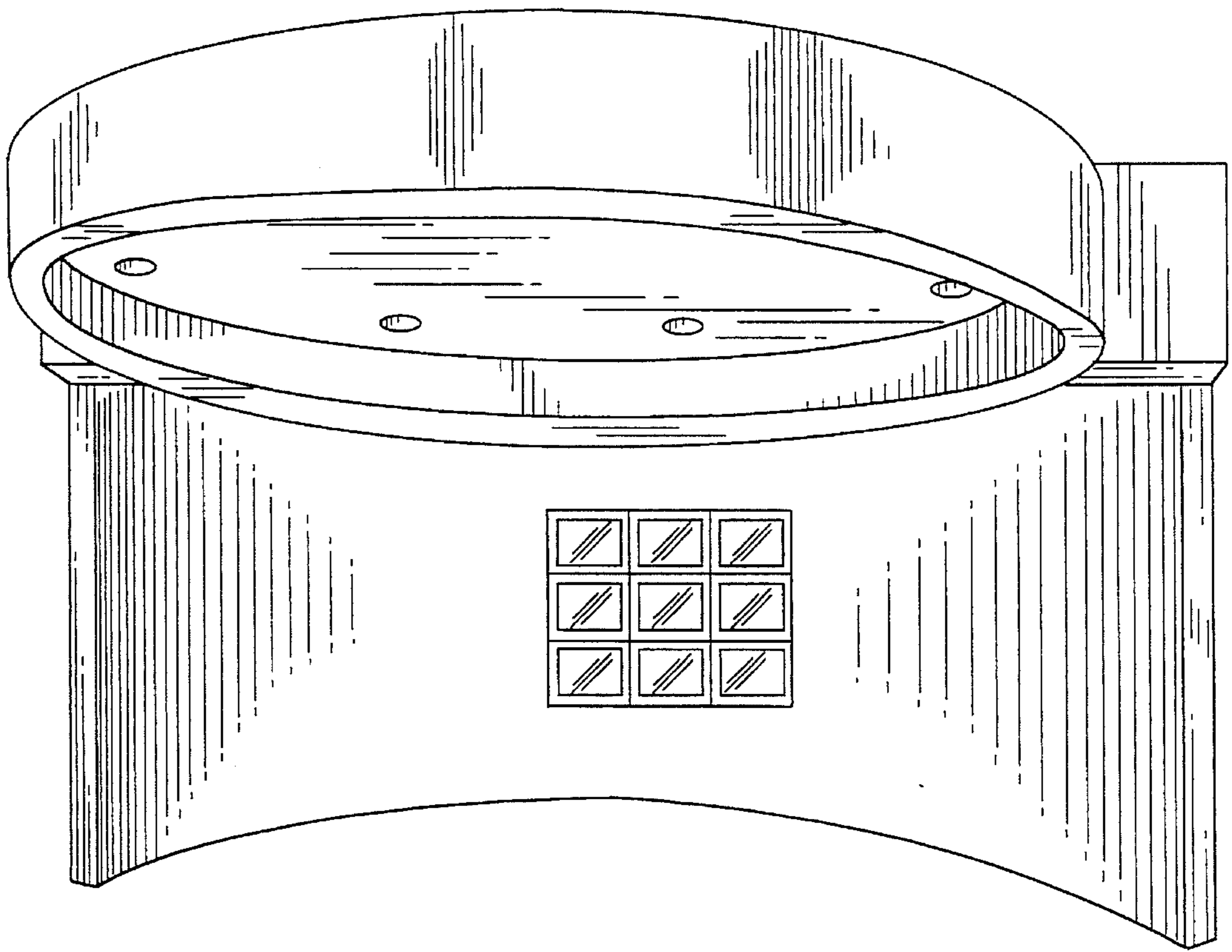


Fig. 1

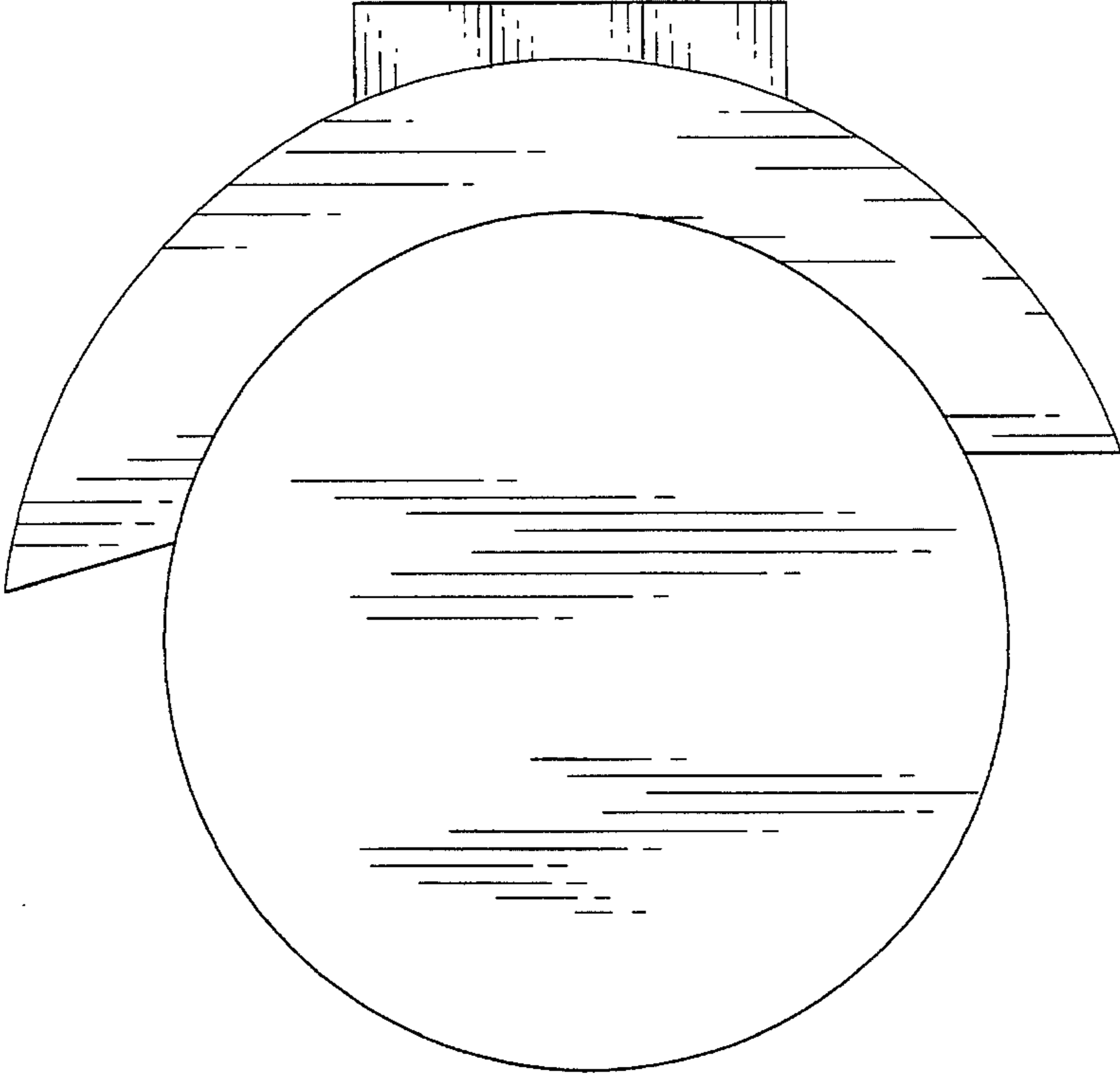


Fig. 2

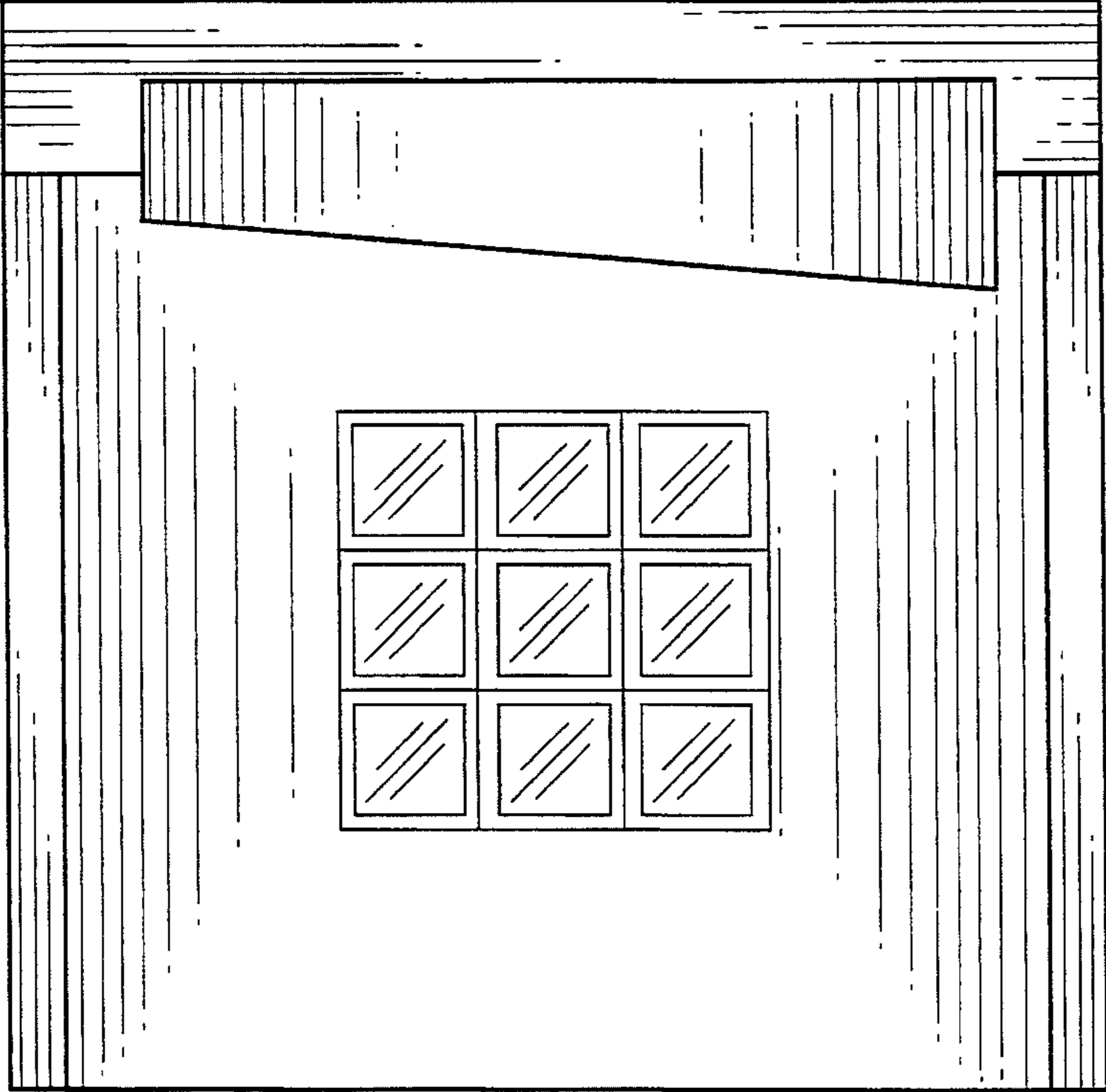


Fig. 3

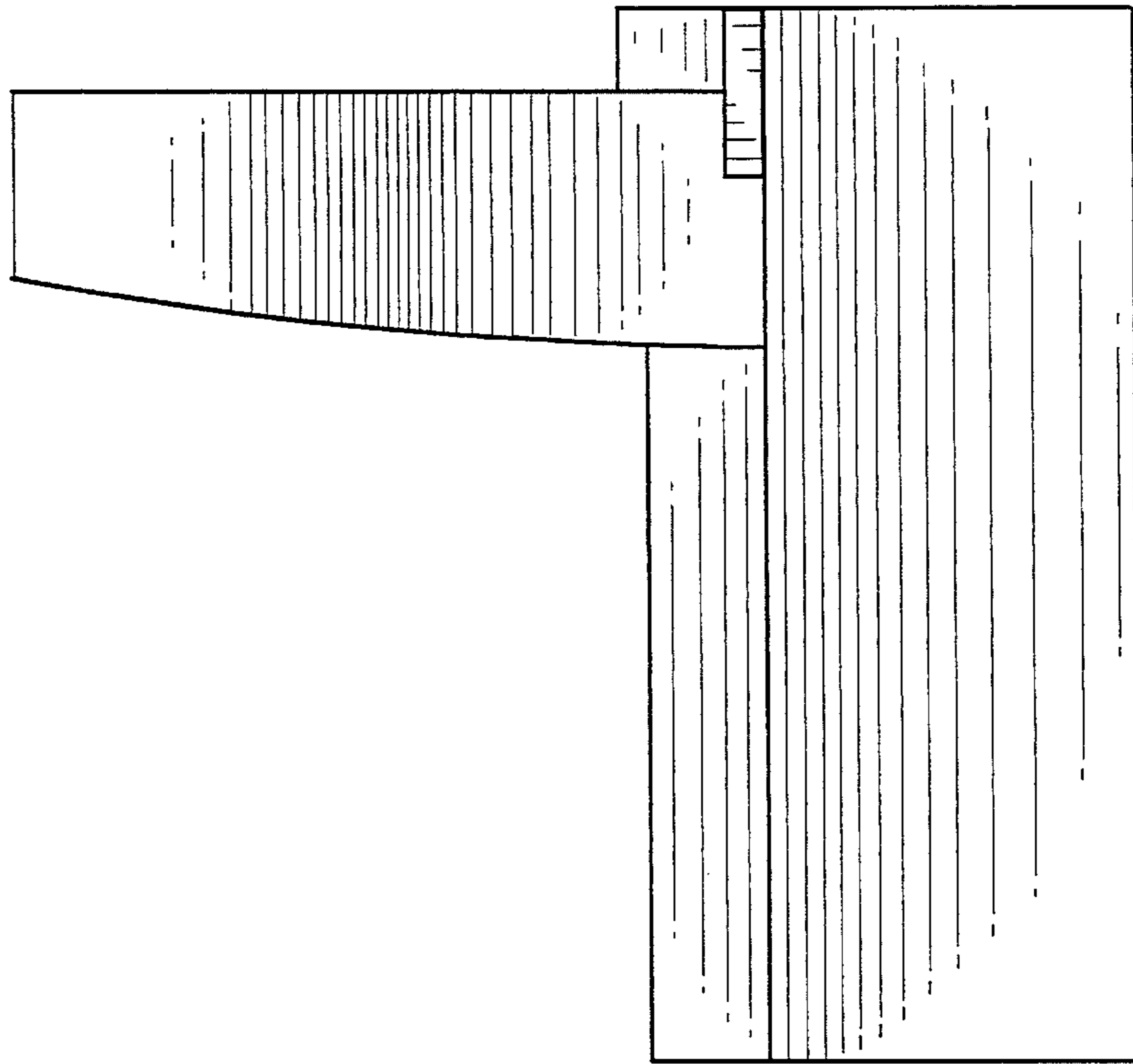


Fig. 4

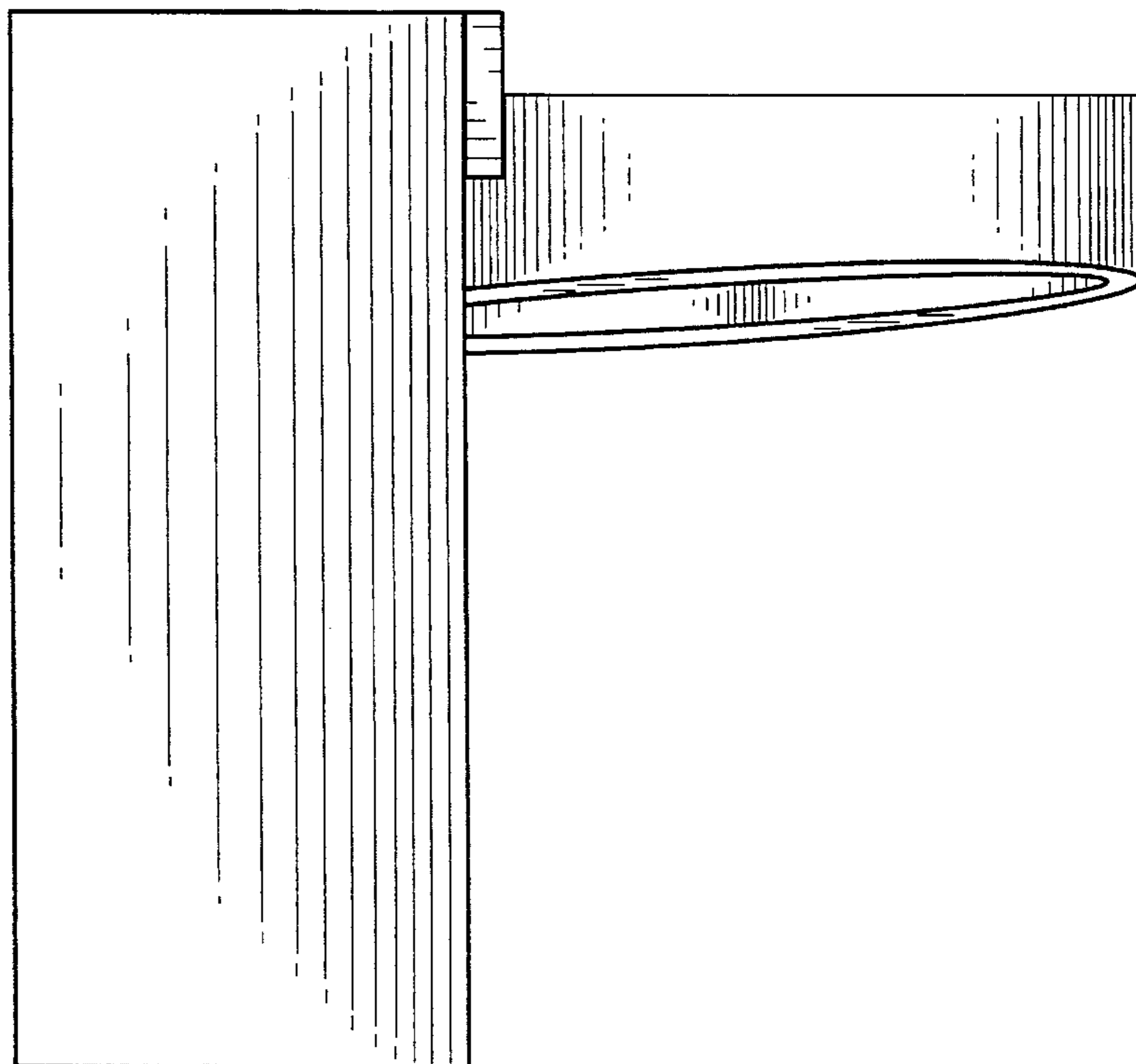


Fig. 5

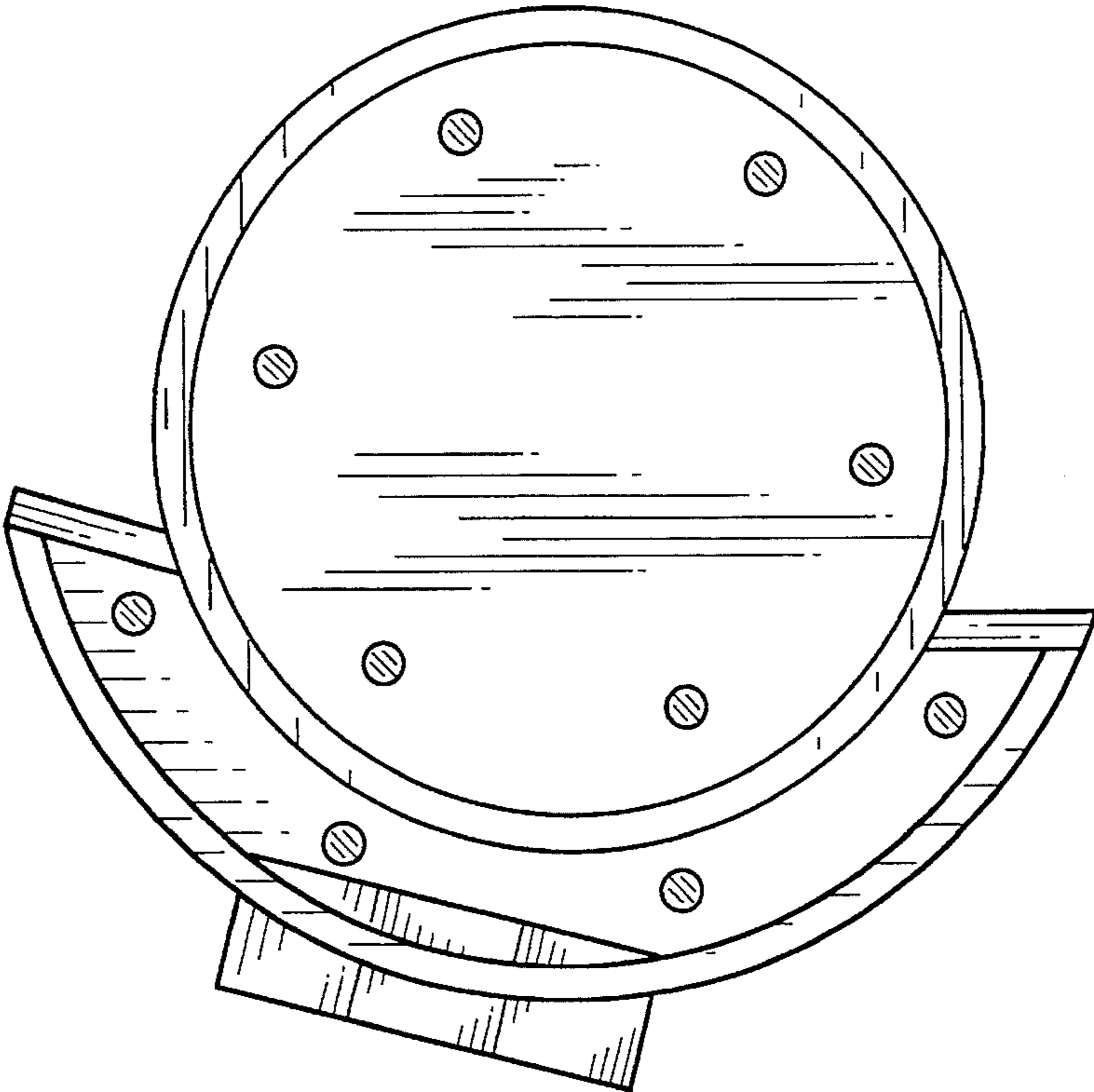


Fig. 6

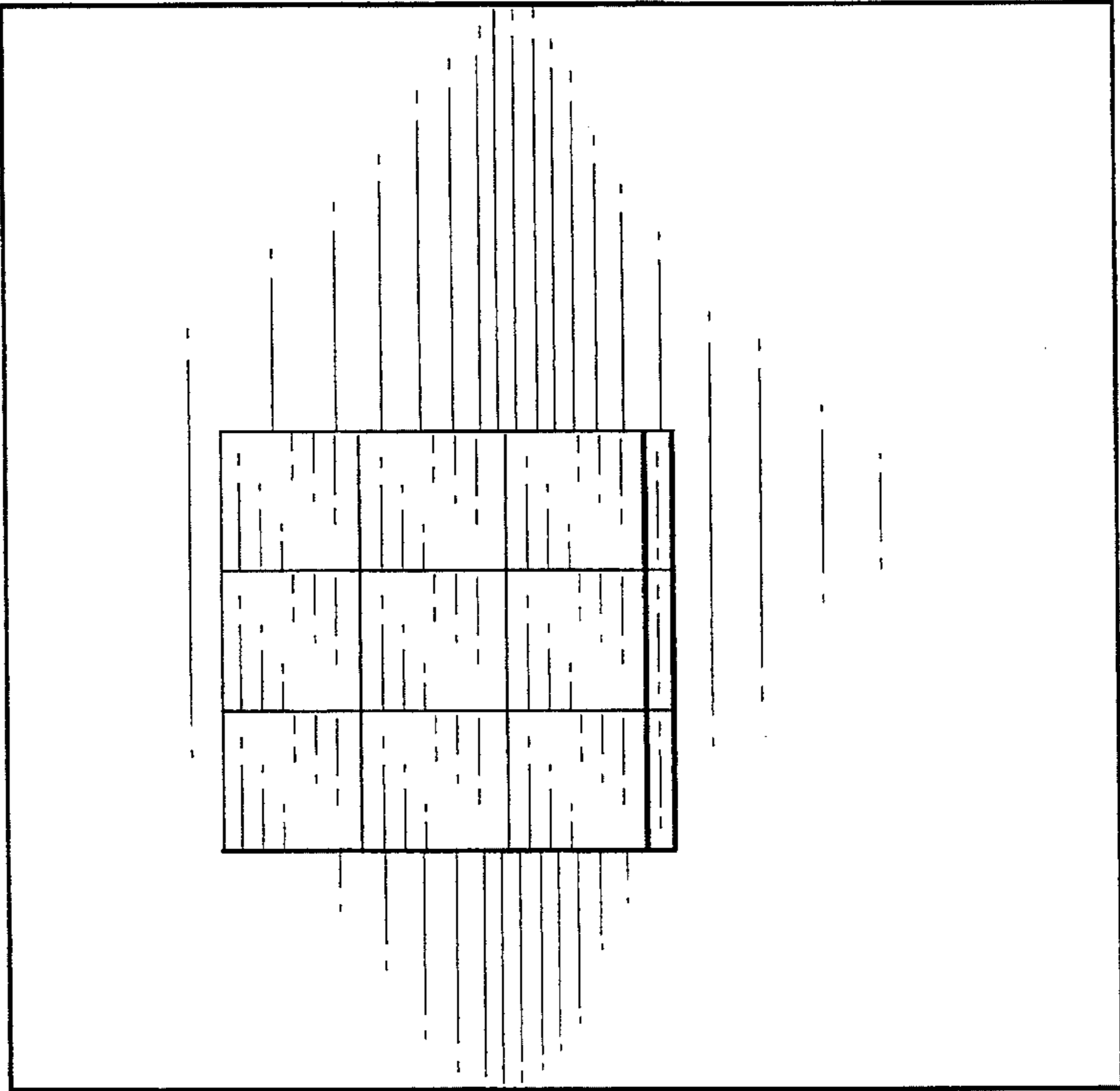


Fig. 7