



US00D365693S

# United States Patent [19]

Jones

[11] Patent Number: **Des. 365,693**

[45] Date of Patent: **\*\*Jan. 2, 1996**

[54] **POTTY STEP**

[76] Inventor: **Thomas J. Jones**, 3007 Crone Rd.,  
Borden, Ind. 47106

[\*\*] Term: **14 Years**

[21] Appl. No.: **25,179**

[22] Filed: **Jul. 5, 1994**

[52] U.S. Cl. .... **D6/349**

[58] Field of Search ..... D6/349, 350, 352,  
D6/353, 355; 297/461, 462, 175, 423.1-423.46

[56] **References Cited**

**U.S. PATENT DOCUMENTS**

D. 152,153	12/1948	Harvey	.....	D6/349
D. 268,796	5/1983	Kola	.....	D6/349
D. 284,911	8/1986	Lemmeyer	.....	D6/349
D. 297,789	9/1988	Stepien	.....	D6/349
D. 347,738	6/1994	Woodward et al.	.....	D6/350
2,600,759	6/1952	Gross	.....	297/423.44
2,968,338	1/1961	Reese	.....	297/423.25

*Primary Examiner*—Martie Thompson  
*Attorney, Agent, or Firm*—Middleton & Reutlinger; James  
C. Eaves, Jr.

[57] **CLAIM**

The ornamental design for a potty step, as shown and described.

**DESCRIPTION**

FIG. 1 is a front perspective view of a potty step showing my new design;

FIG. 2 is a rear perspective view;

FIG. 3 is a top plan view;

FIG. 4 is a front elevational view;

FIG. 5 is a side elevational view;

FIG. 6 is a bottom plan view;

FIG. 7 is a front perspective view of a second embodiment of my new design;

FIG. 8 is a rear perspective view of FIG. 7;

FIG. 9 is a top plan view of FIG. 7;

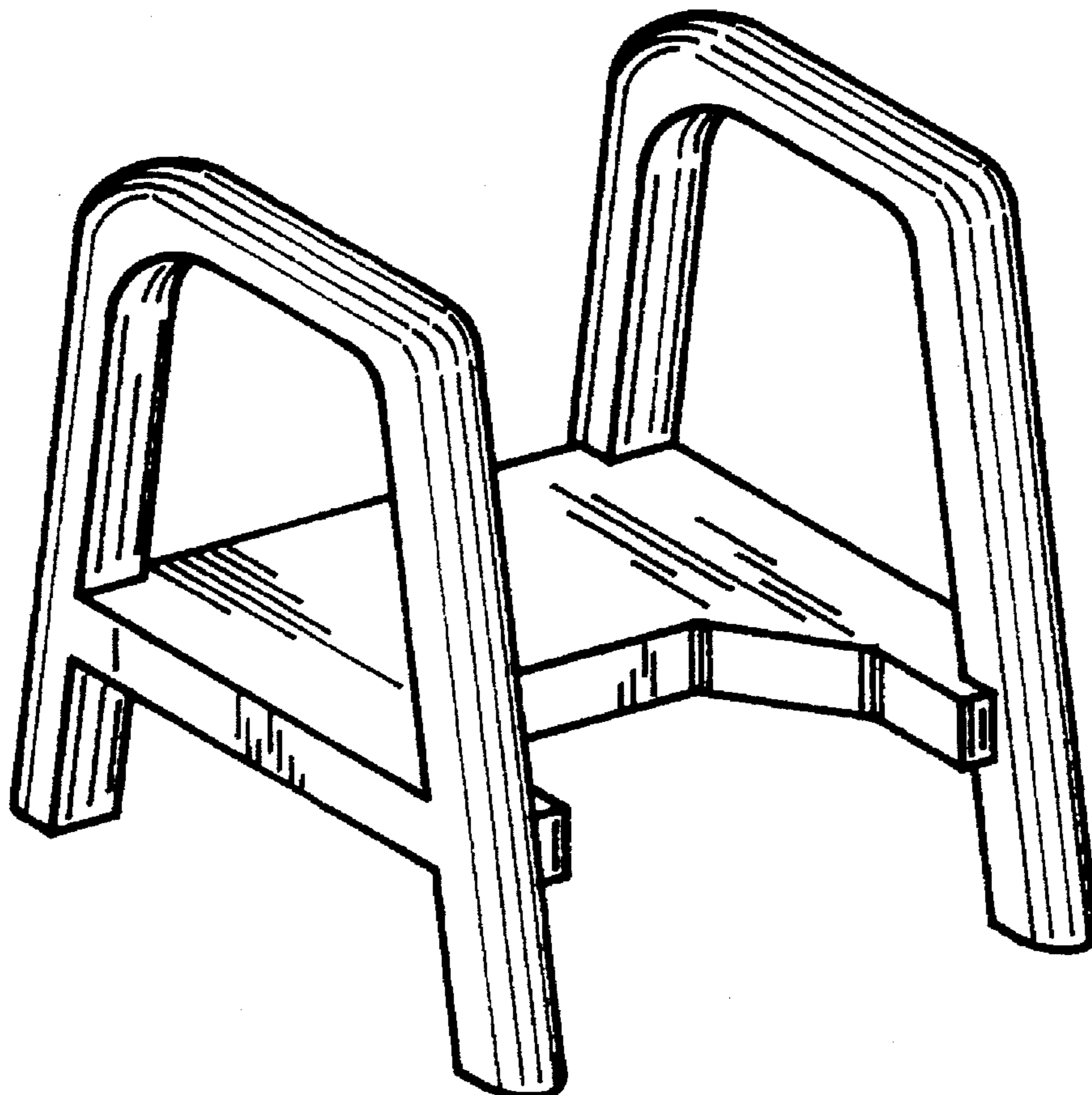
FIG. 10 is a front elevational view of FIG. 7;

FIG. 11 is a side elevational view of FIG. 7; and,

FIG. 12 is a bottom plan view of FIG. 7.

The broken line showing of a toilet in FIGS. 2 and 8 has been provided for illustrative purposes only and forms no part of the claimed design.

**1 Claim, 2 Drawing Sheets**



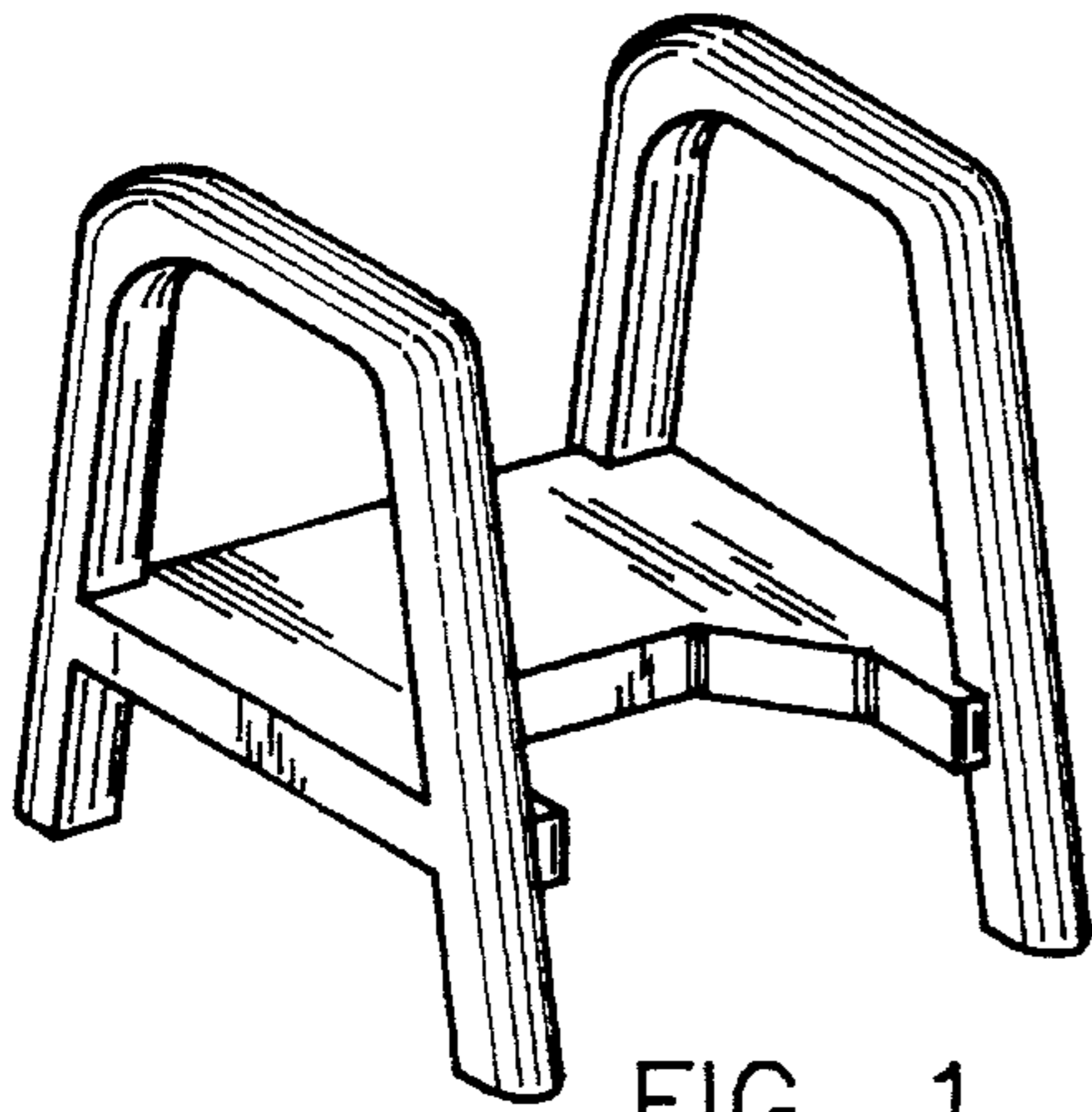


FIG. 1

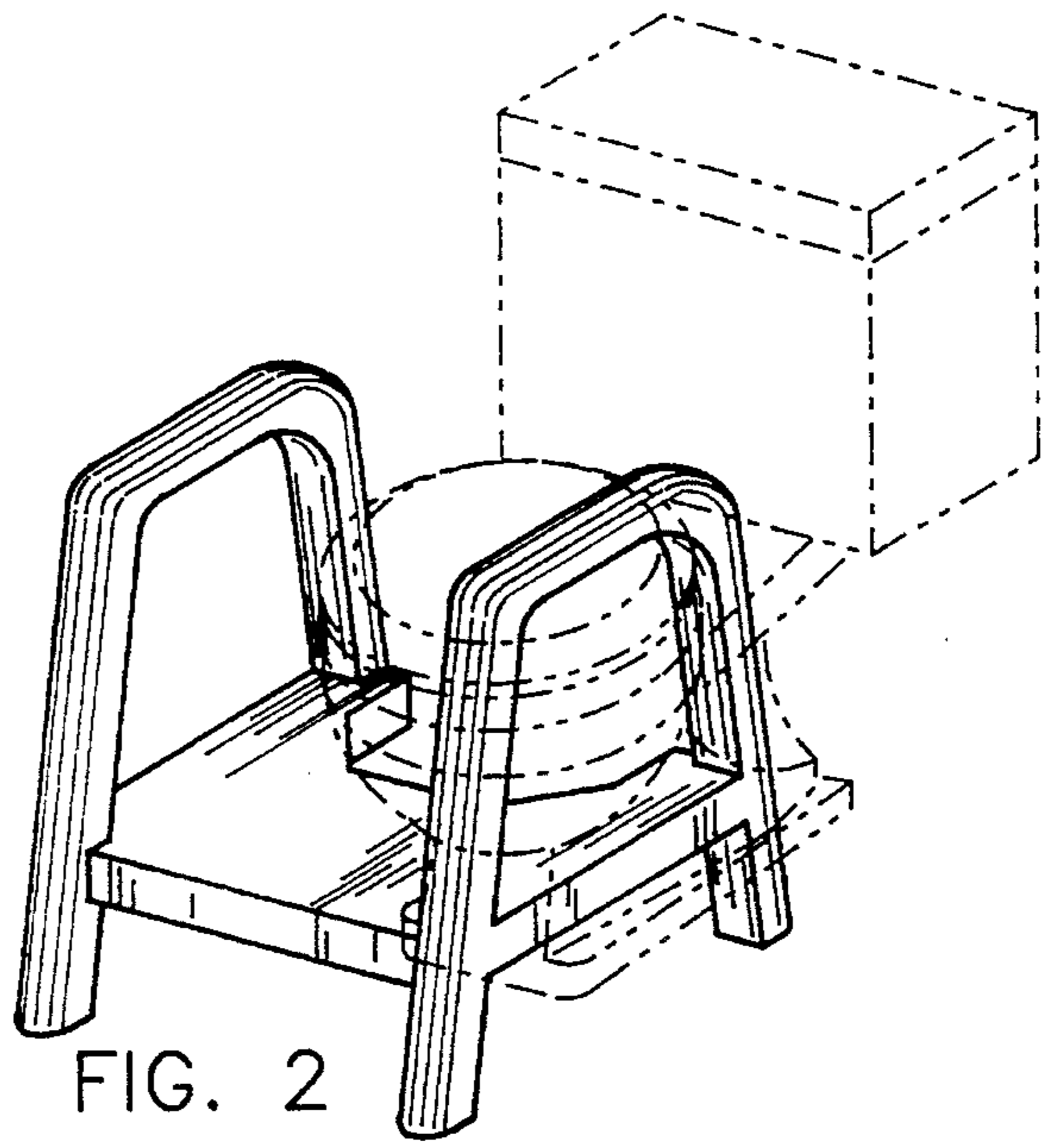


FIG. 2

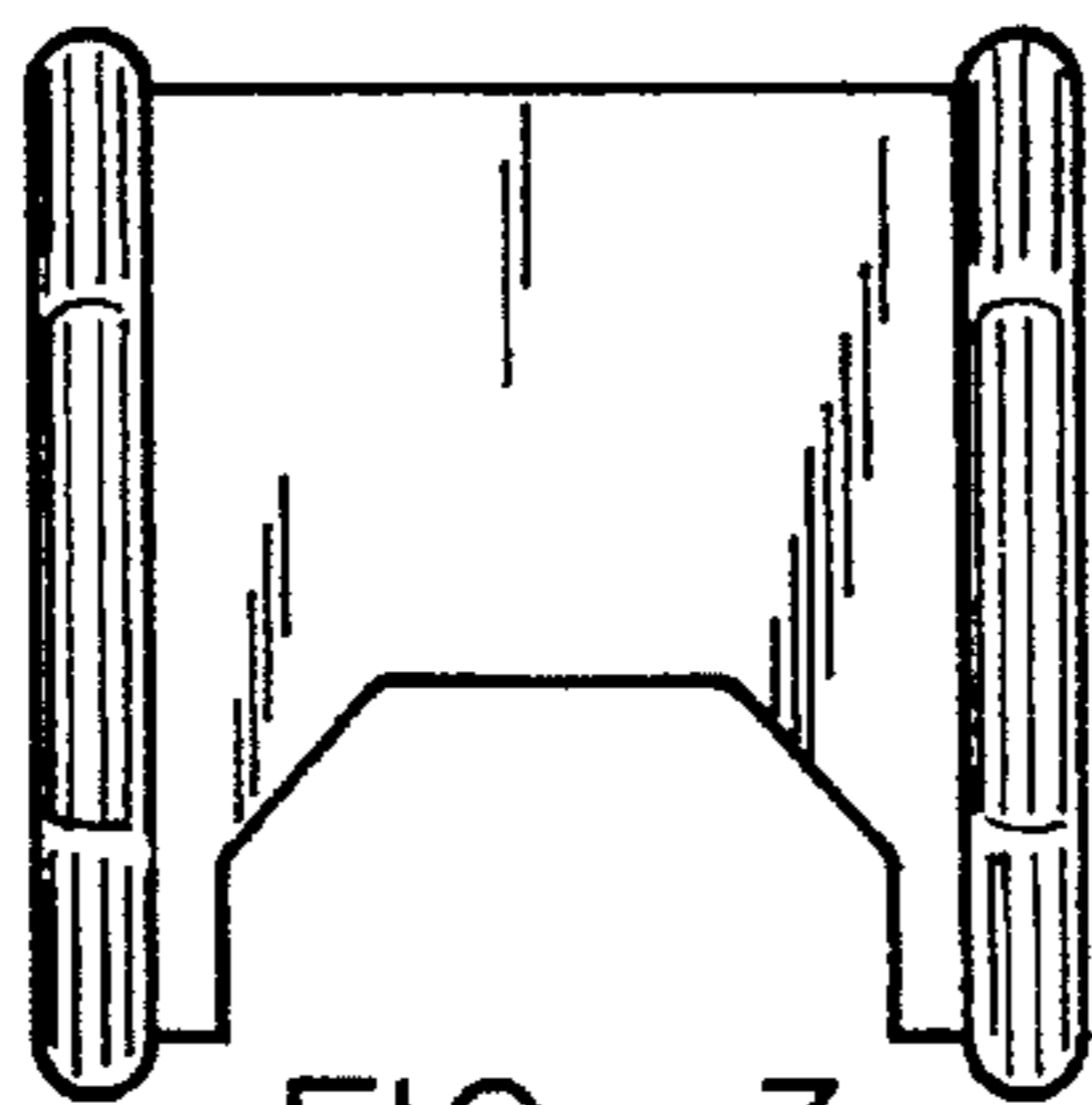


FIG. 3

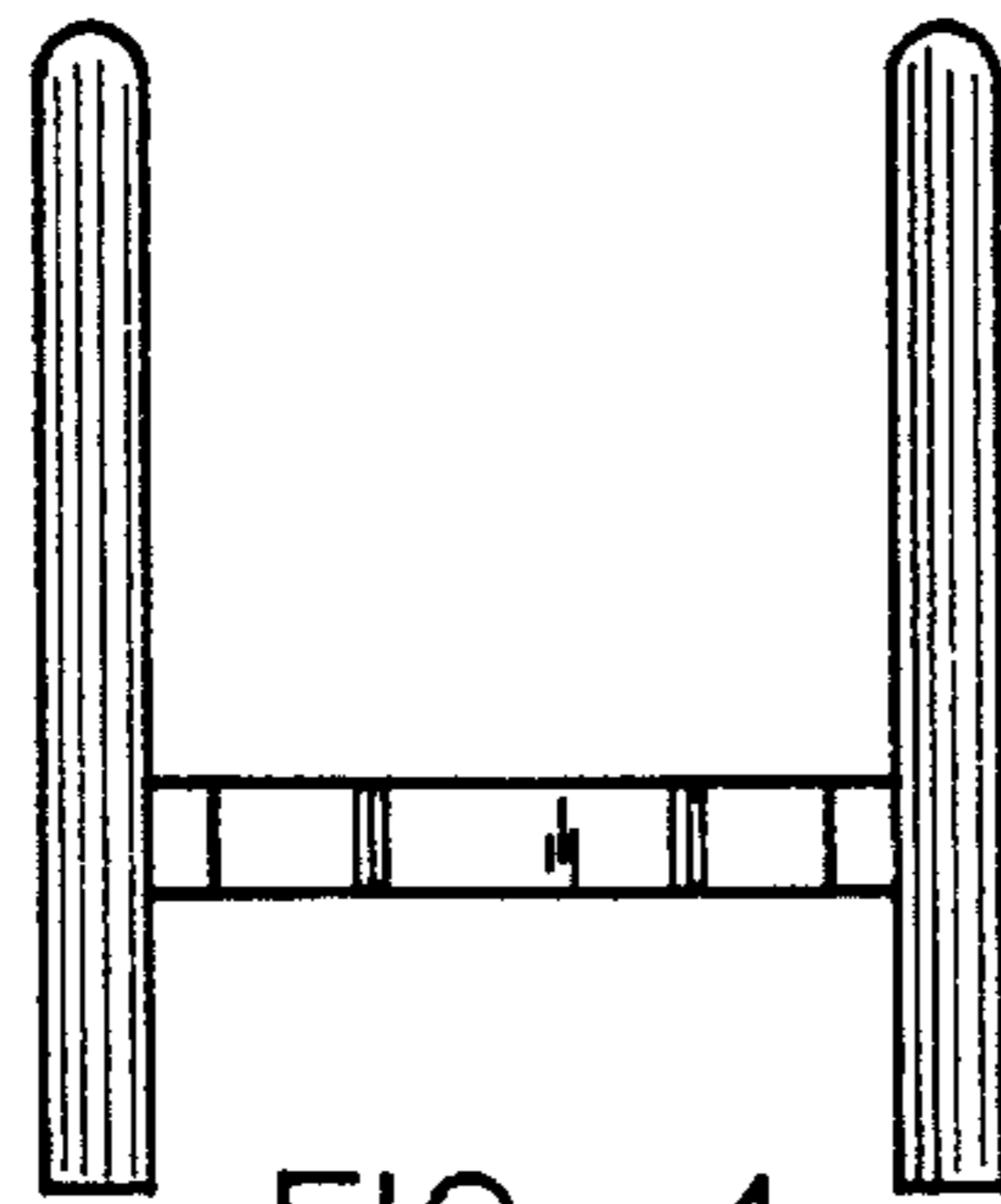


FIG. 4

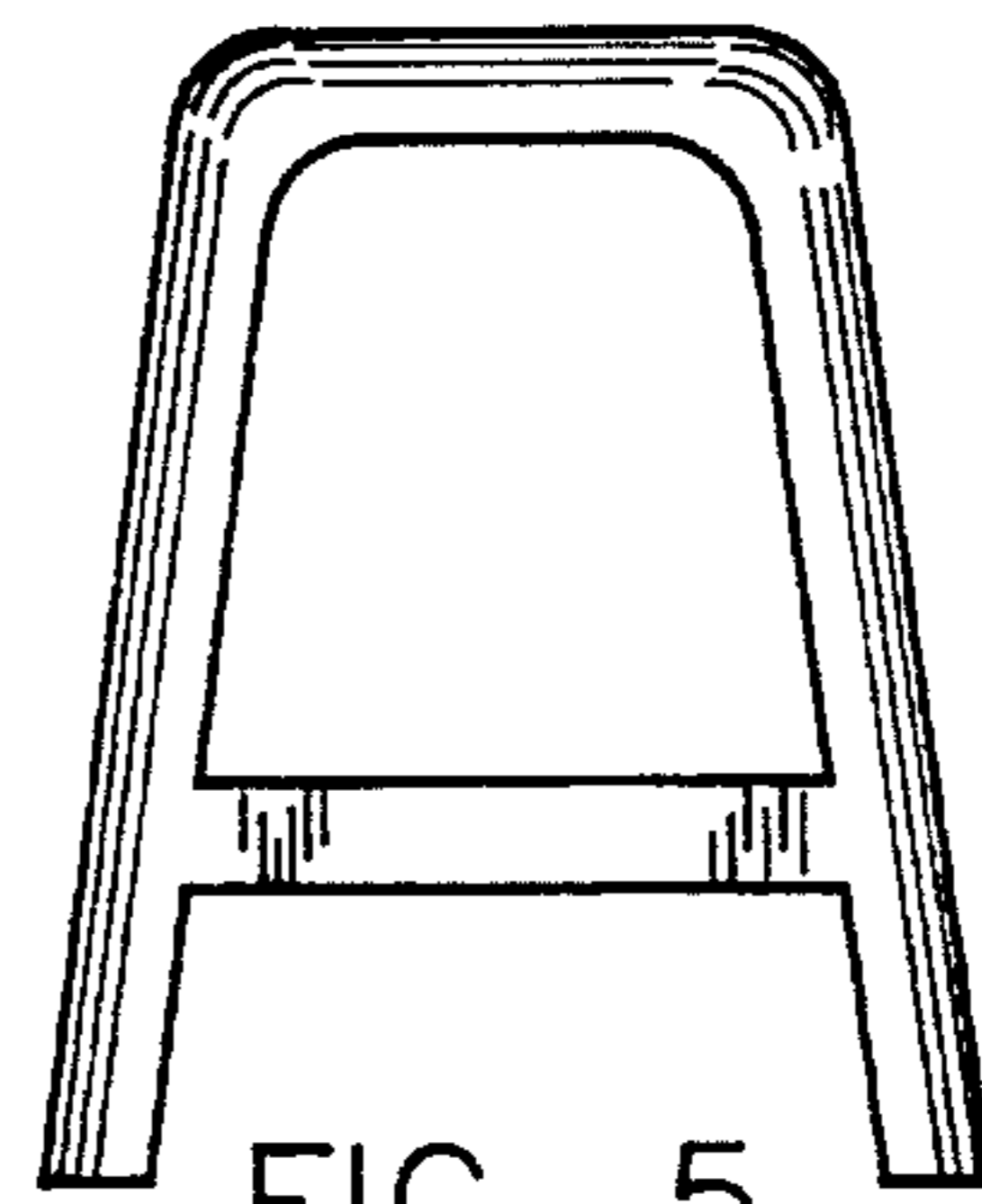


FIG. 5

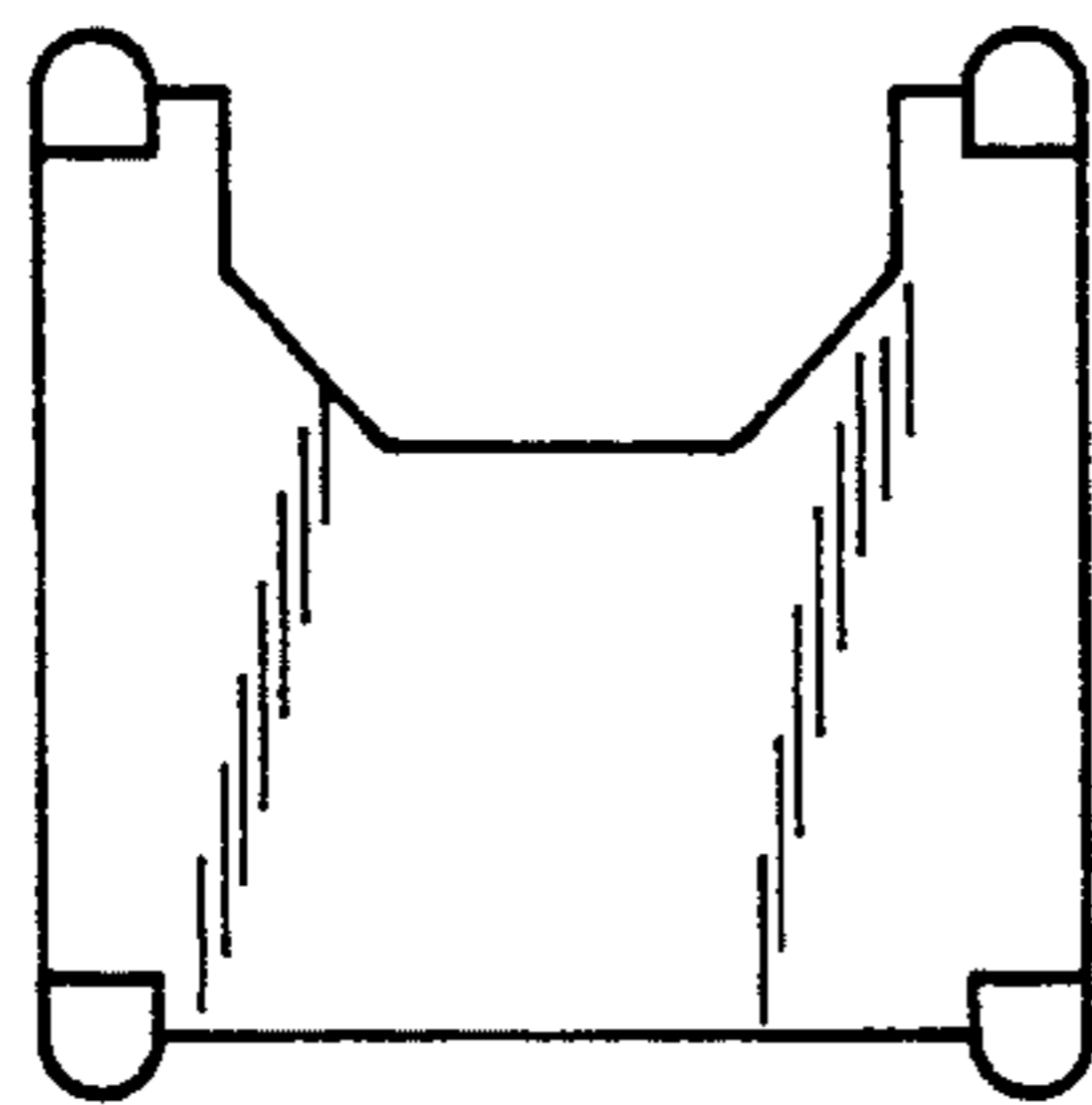


FIG. 6

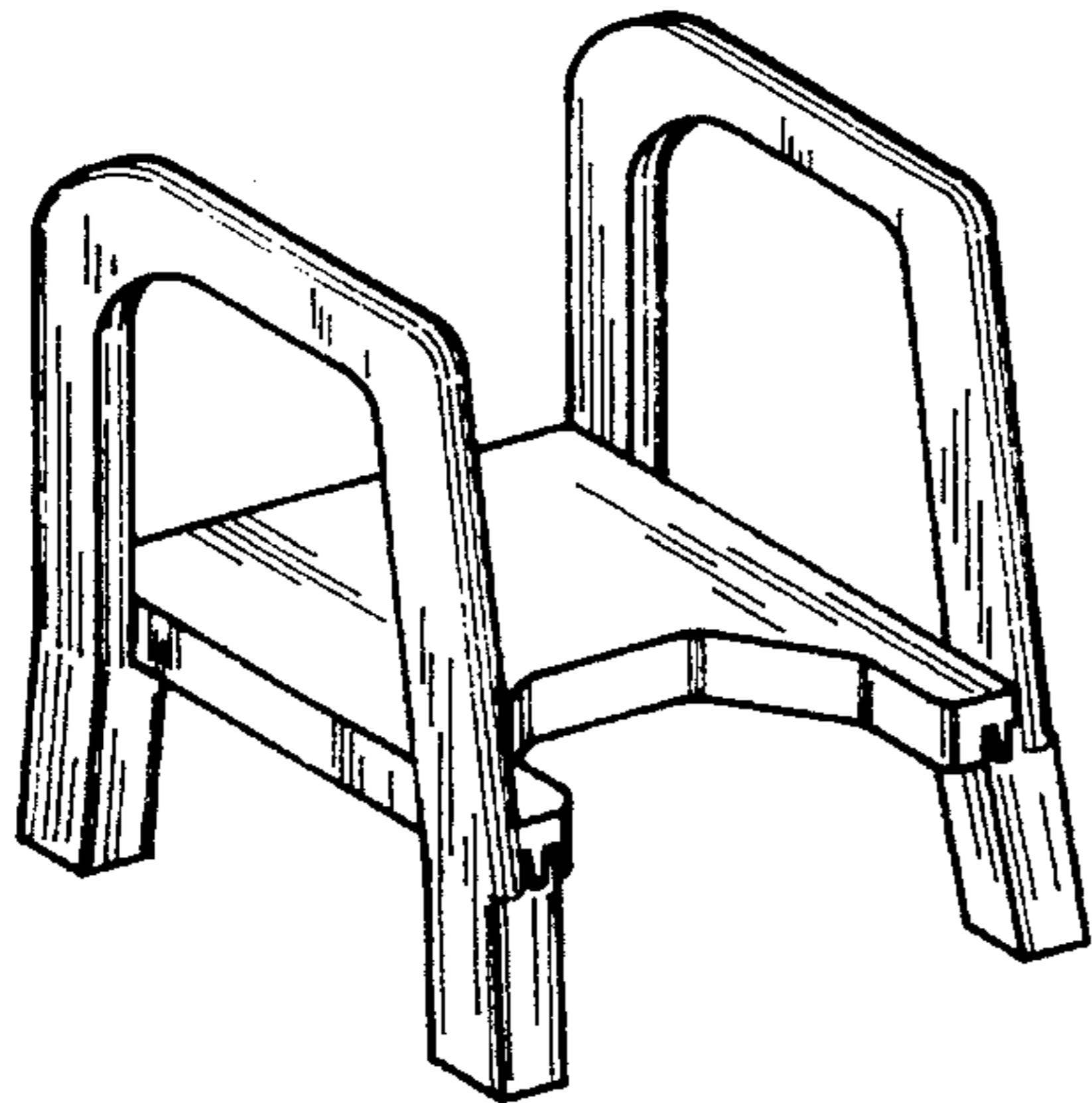


FIG. 7

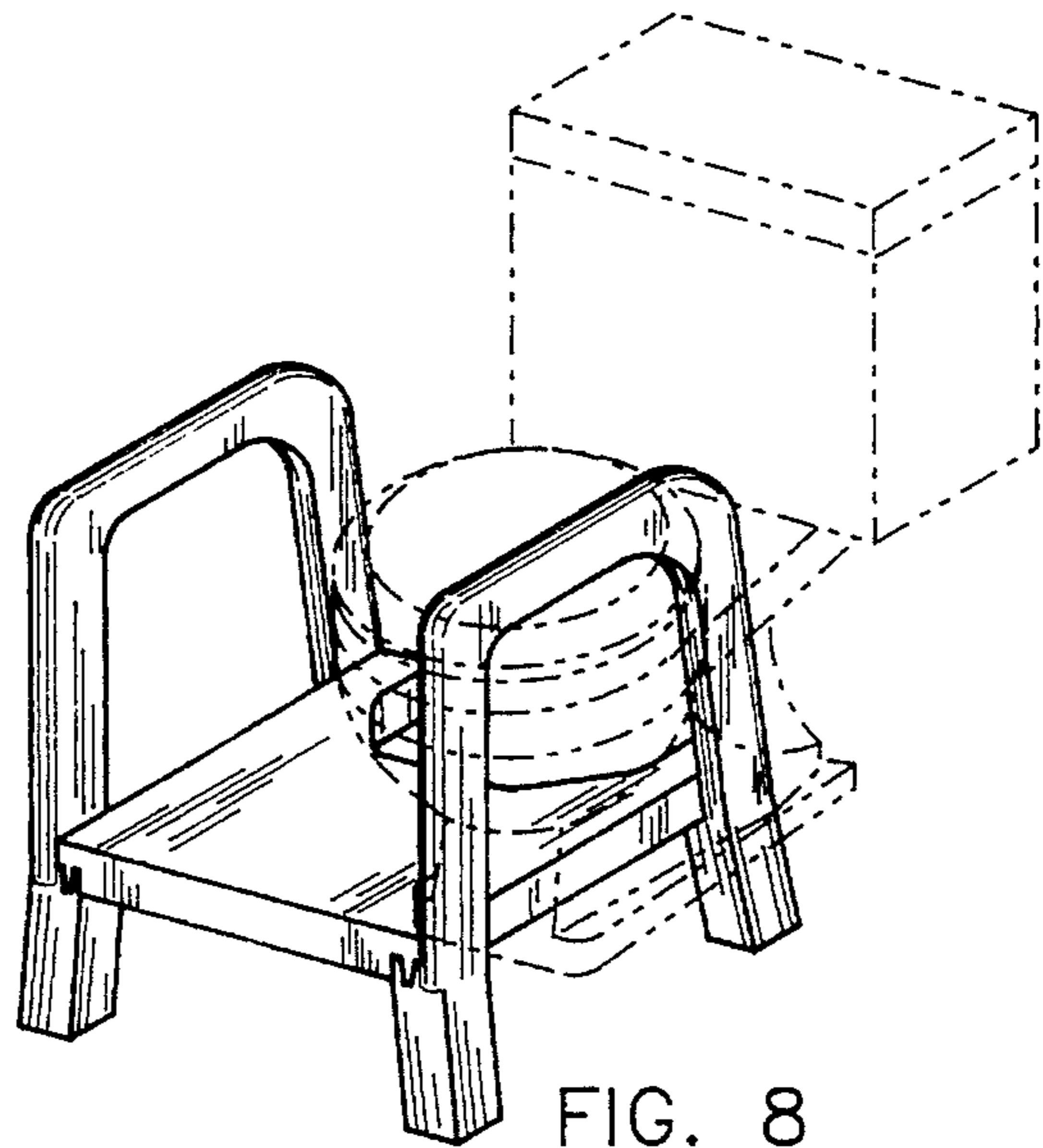


FIG. 8

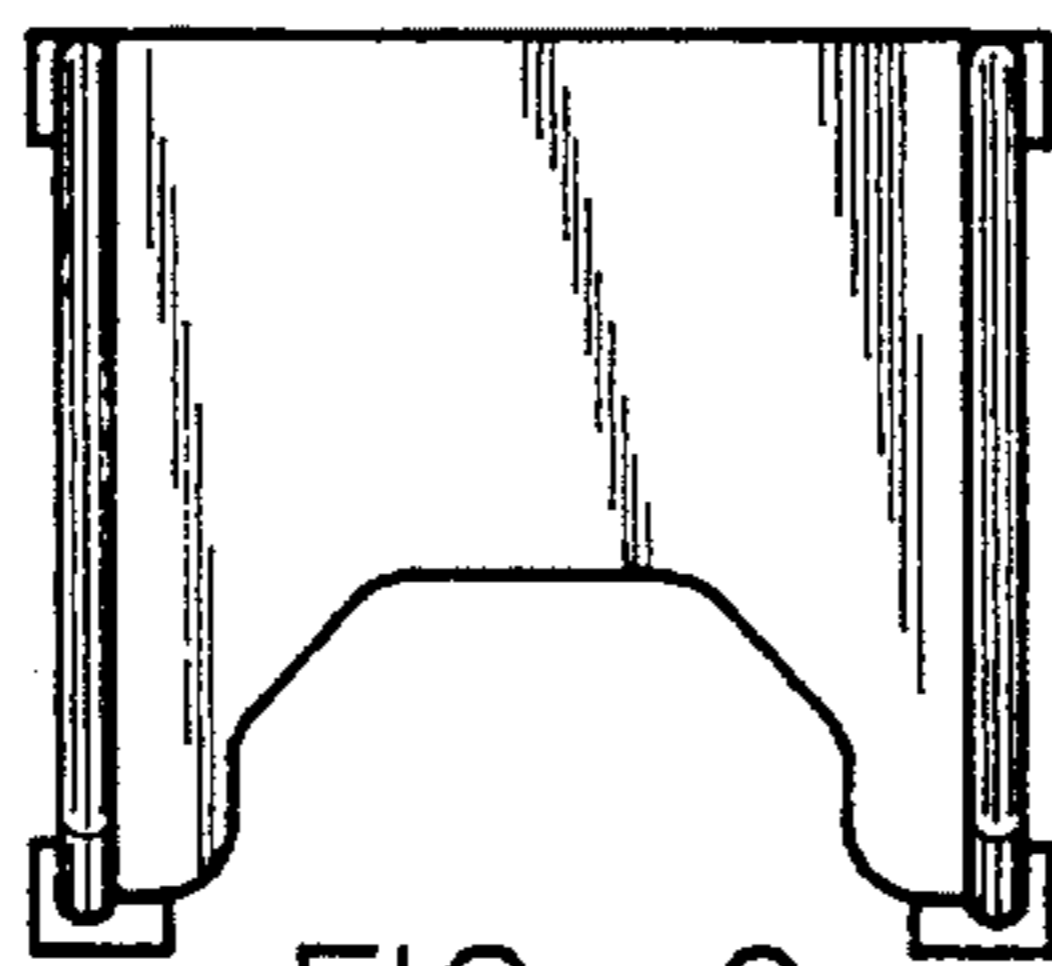


FIG. 9

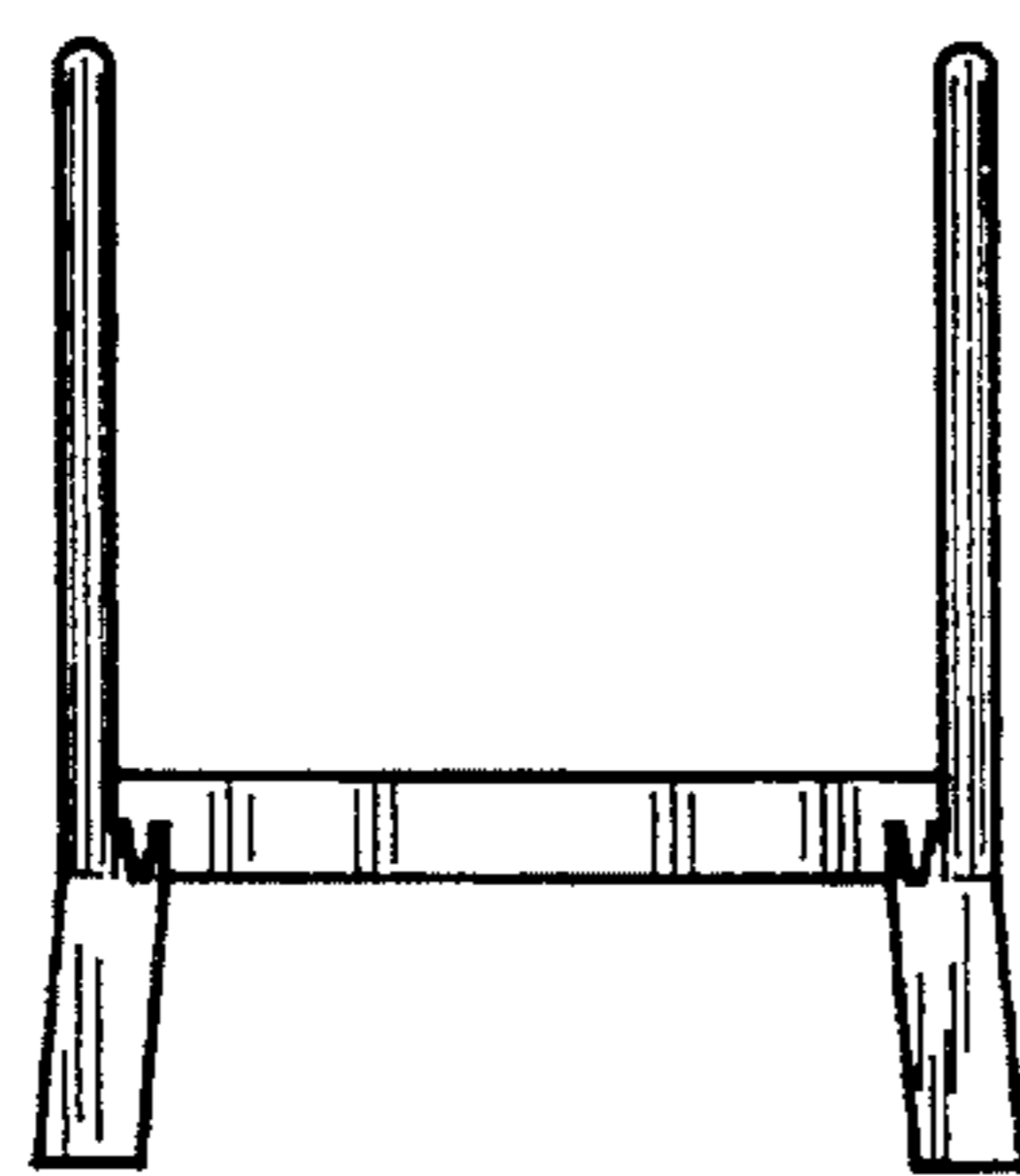


FIG. 10

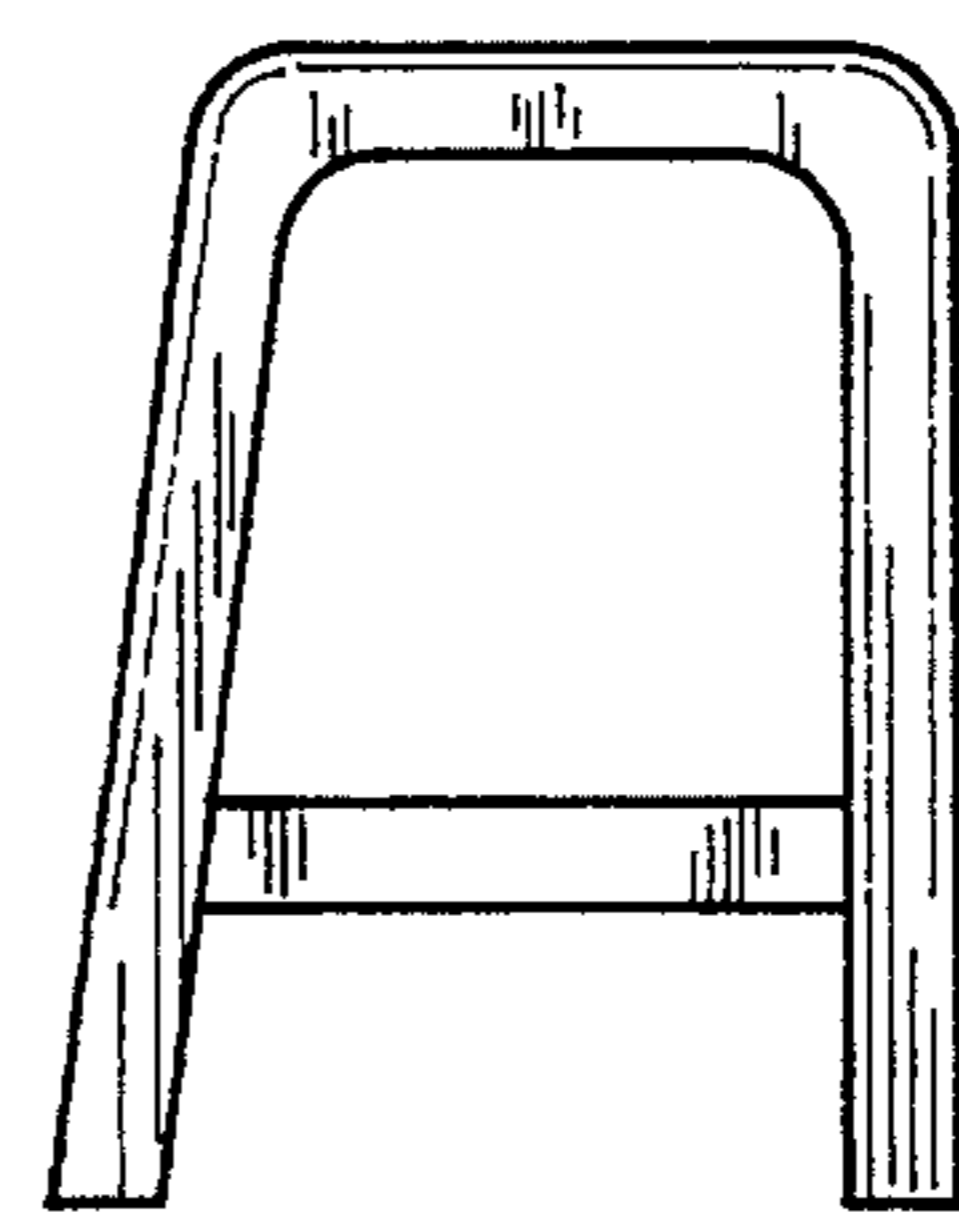


FIG. 11

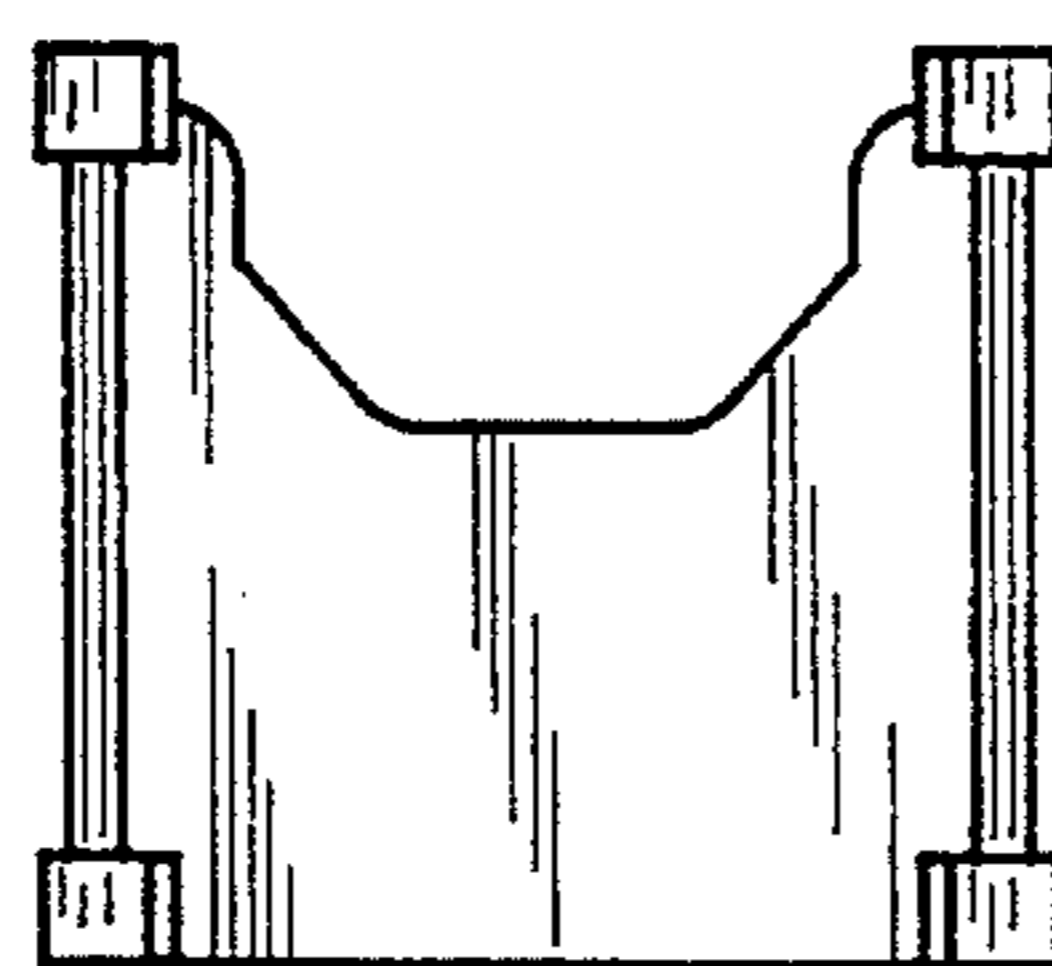


FIG. 12