



US00D365692S

United States Patent [19]

Pomeroy et al.

[11] Patent Number: **Des. 365,692**

[45] Date of Patent: ****Jan. 2, 1996**

[54] **GLIDER**

[75] Inventors: **Charles Pomeroy; John T. Bycraft,**
both of South Bend, Ind.

[73] Assignee: **Jack-Post Corporation,** Buchanan,
Mich.

[**] Term: **14 Years**

[21] Appl. No.: **23,716**

[22] Filed: **May 31, 1994**

[52] U.S. Cl. **D6/344**

[58] Field of Search D6/334, 344, 347,
D6/370, 379, 381, 500, 501, 502; 297/273,
281, 282

D. 310,604 9/1990 Pomeroy et al. .
D. 325,823 5/1992 Pomeroy et al. .
D. 328,197 7/1992 Braxton, III .
D. 334,485 4/1993 Pomeroy et al. .
D. 338,563 8/1993 Chiang .
D. 350,855 9/1994 Pomeroy et al. D6/344

OTHER PUBLICATIONS

Jack-Post Outdoor Furniture/Outdoor Products 1986, p. 7
"Model Fr-64 Glider".

Primary Examiner—Alan P. Douglas
Assistant Examiner—Gary D. Watson
Attorney, Agent, or Firm—Arnold, White & Durkee

[57] CLAIM

The ornamental design for a glider, as shown and described.

DESCRIPTION

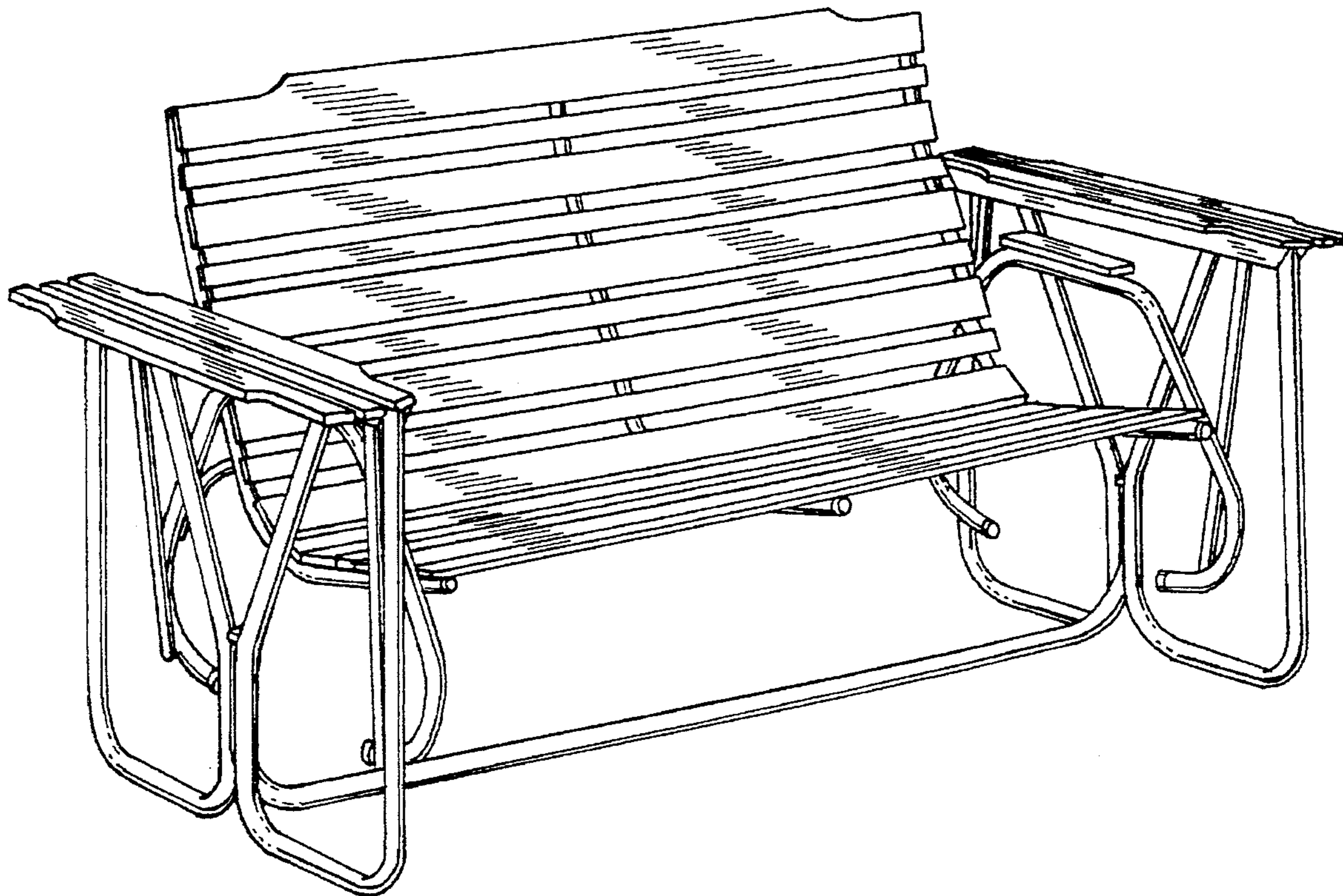
FIG. 1 is a front perspective view of the glider showing our new design;
FIG. 2 is an end elevational view;
FIG. 3 is a front elevational view;
FIG. 4 is a rear elevational view;
FIG. 5 is a top plan view; and,
FIG. 6 is a bottom plan view thereof.

1 Claim, 3 Drawing Sheets

[56] References Cited

U.S. PATENT DOCUMENTS

D. 121,462 7/1940 Tabb .
D. 123,278 10/1940 Rink D6/347
D. 135,777 6/1943 Smith .
D. 141,705 6/1945 Slaughter .
D. 165,835 2/1952 Glass .
D. 281,376 11/1985 Gregory, III .
D. 290,911 7/1987 Pomeroy et al. .
D. 307,361 4/1990 Pomeroy et al. .



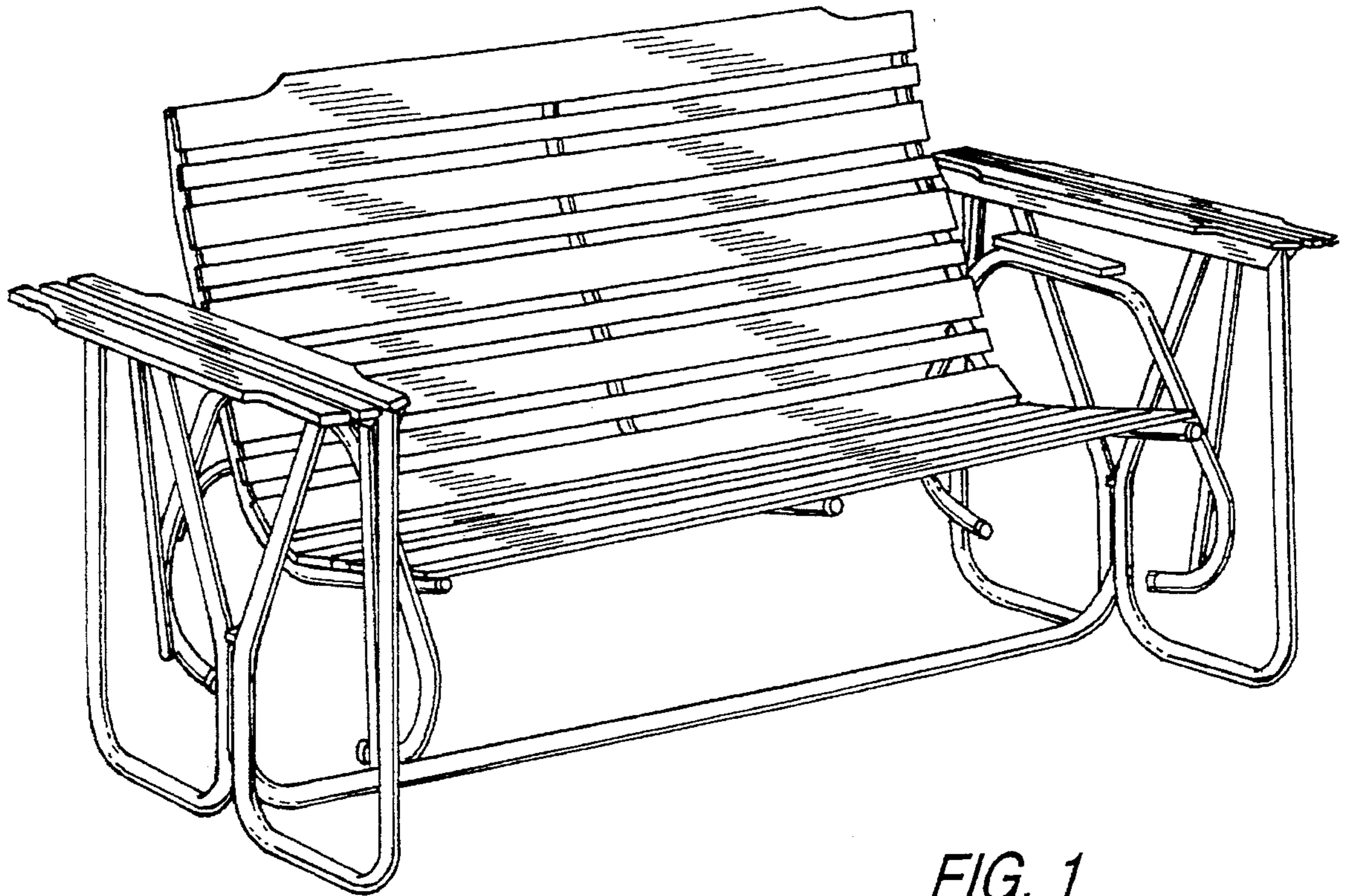


FIG. 1

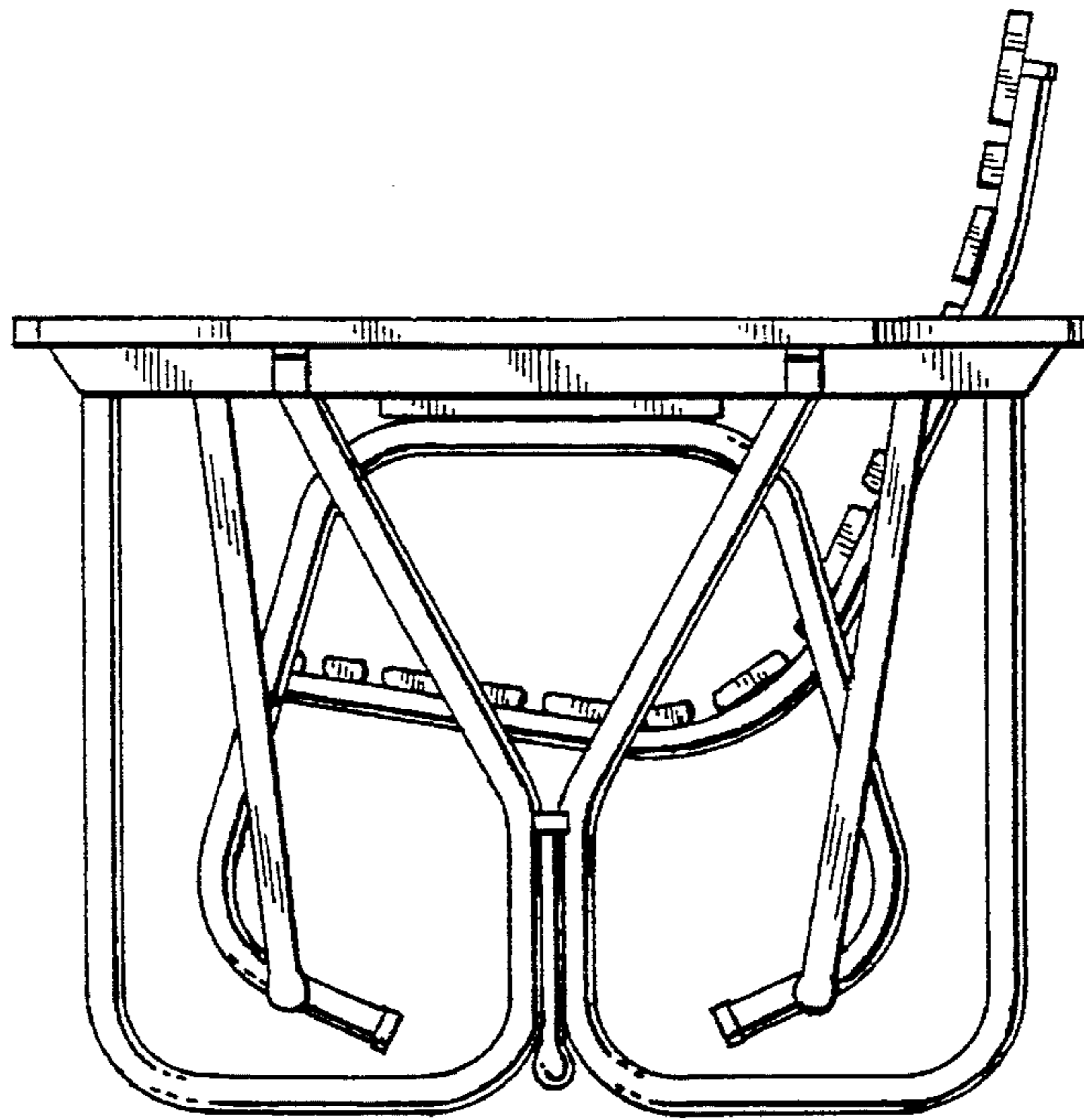


FIG. 2

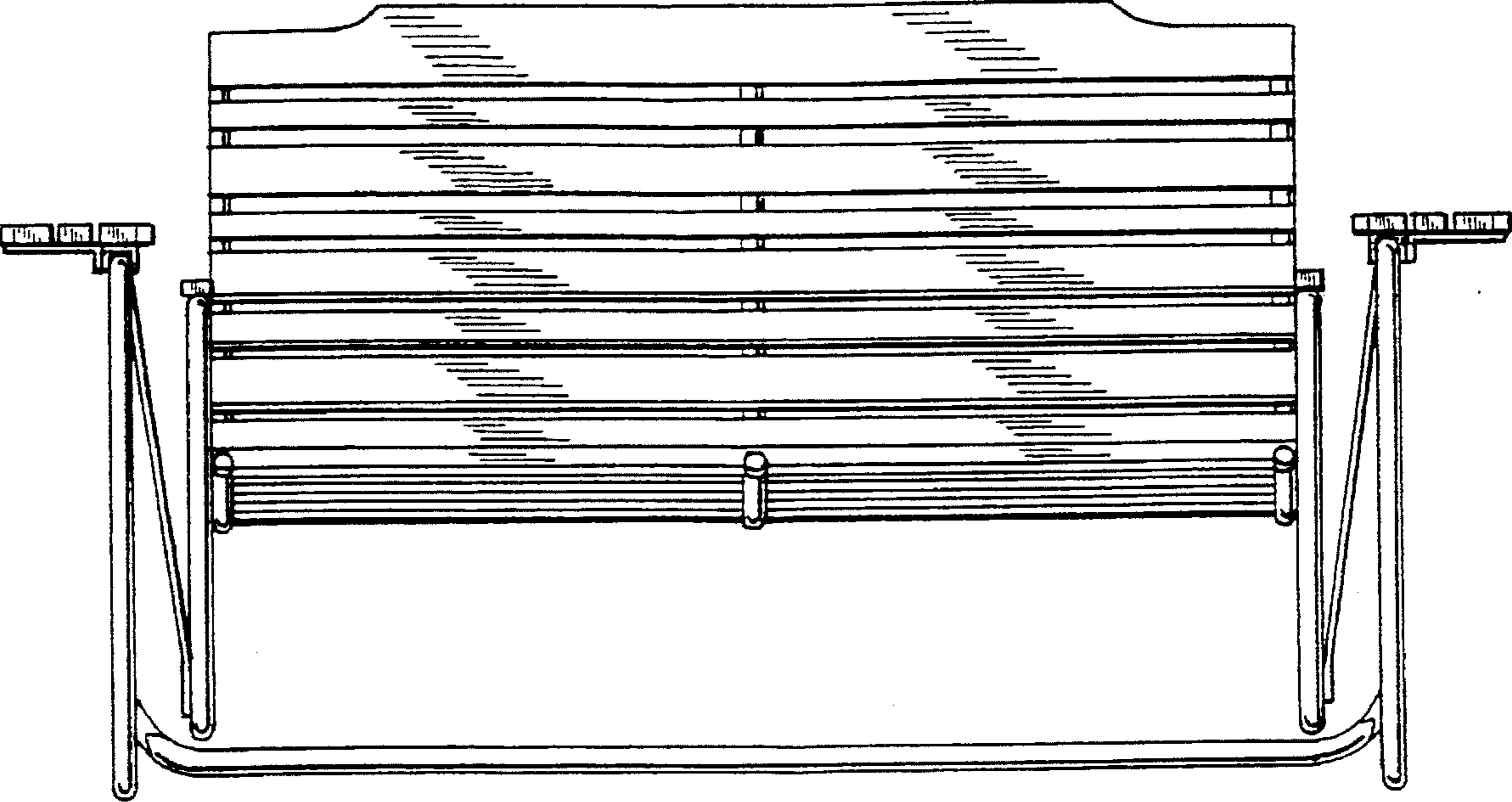


FIG. 3

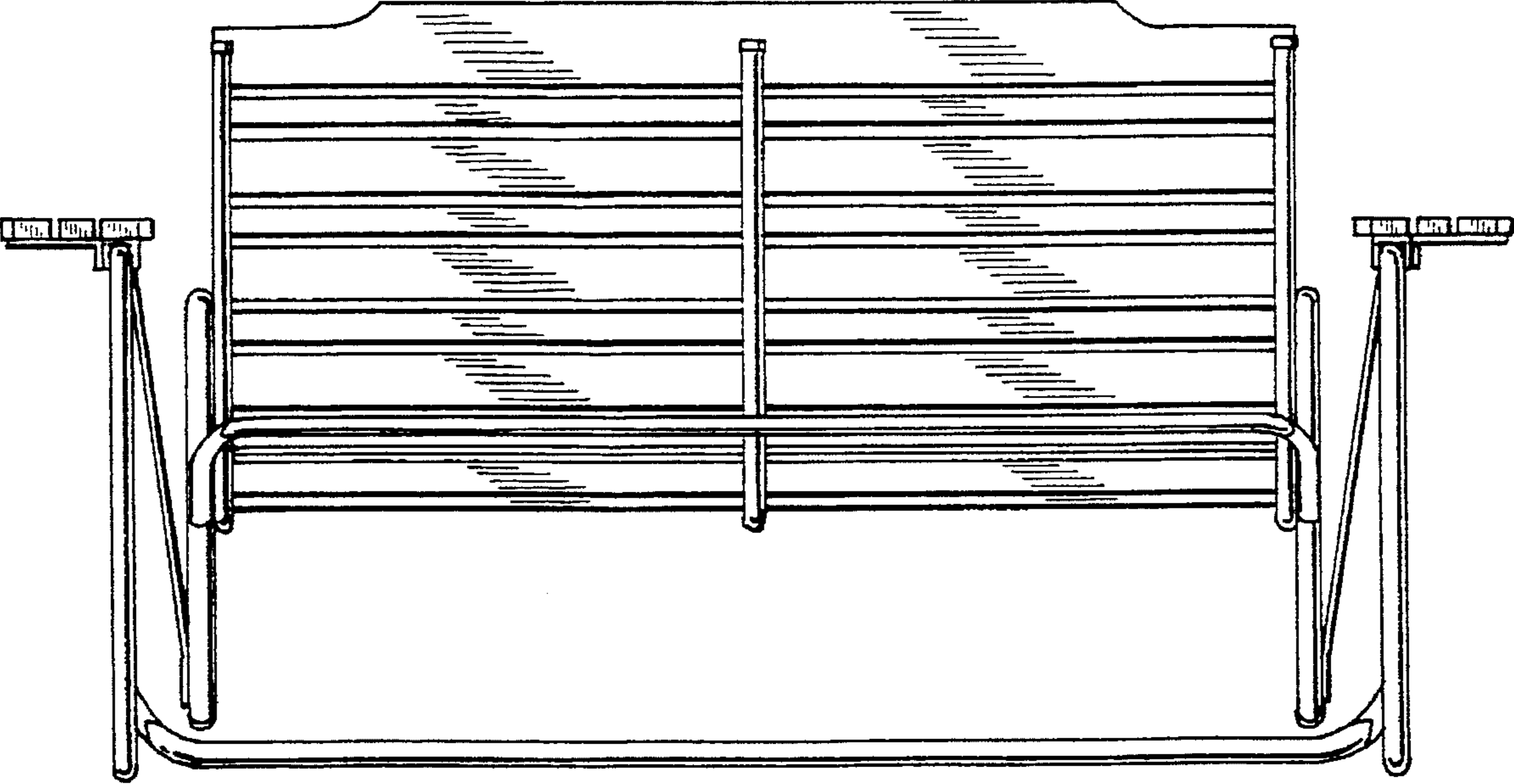


FIG. 4

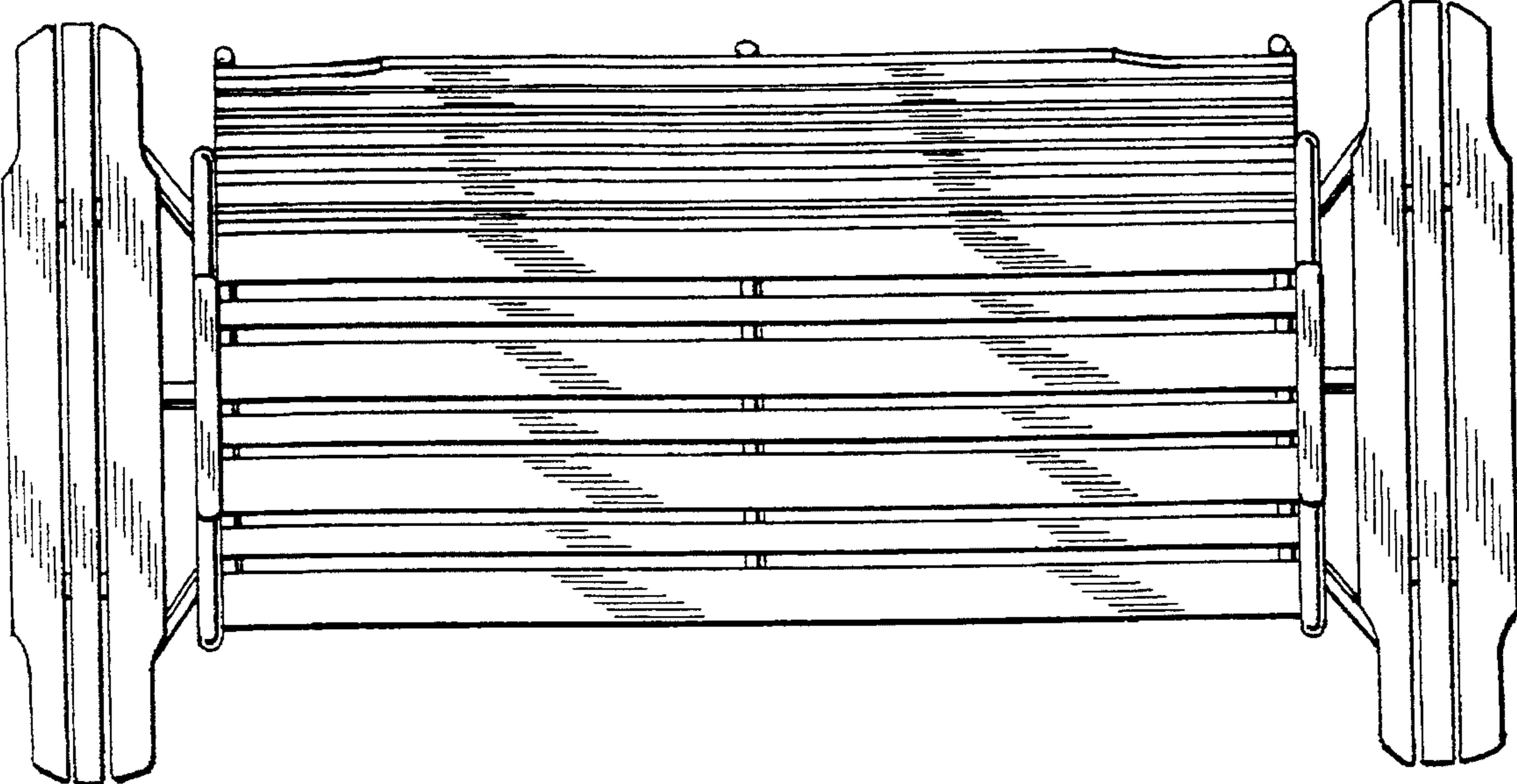


FIG. 5

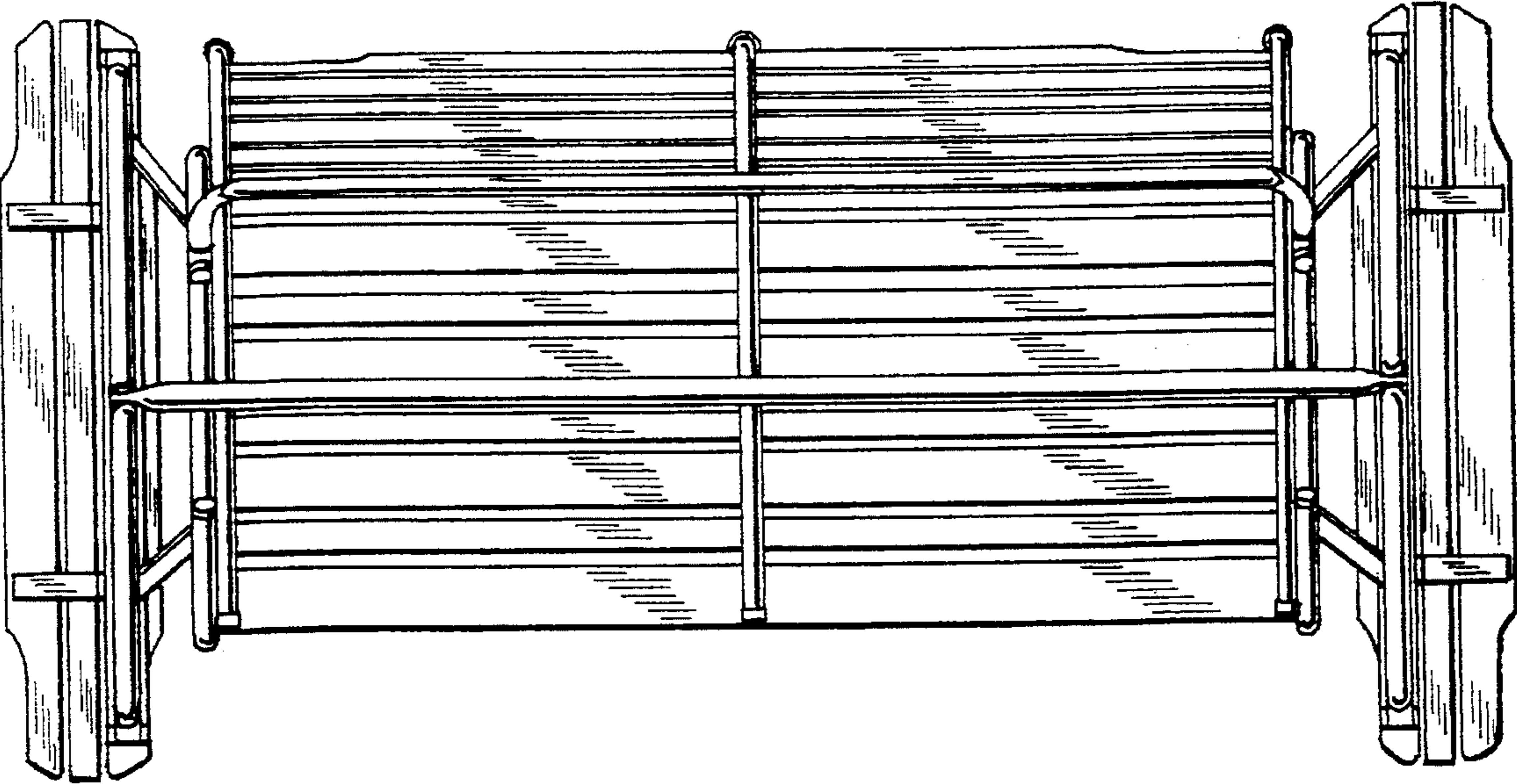


FIG. 6