



US00D365690S

United States Patent [19]
Charlet

[11] **Patent Number:** **Des. 365,690**

[45] **Date of Patent:** ****Jan. 2, 1996**

[54] **GARMENT HANGER**

[75] **Inventor:** **Sandra K. Charlet**, Lenoir, N.C.

[73] **Assignee:** **Alba-Waldensian, Inc.**, Valdese, N.C.

[**] **Term:** **14 Years**

[21] **Appl. No.:** **24,213**

[22] **Filed:** **Jun. 9, 1994**

[52] **U.S. Cl.** **D6/315**

[58] **Field of Search** **D6/315; 211/113;**
223/85, 87

[56] **References Cited**

U.S. PATENT DOCUMENTS

D. 264,789	6/1982	Zyla et al.	D6/315
D. 283,468	4/1986	Steinhilber .	
D. 323,069	1/1992	Leese	D6/315
D. 342,613	12/1993	Ackerman	D6/315
1,584,000	5/1926	Thomas	223/87
2,766,917	10/1956	Jang	D6/315
2,879,930	3/1959	Renner	D6/315

4,542,838 9/1985 Perez-Tubens et al. .

4,805,816 2/1989 Freund .

5,014,957 5/1991 Nichol, Jr. .

5,154,329 10/1992 Dorfmueller .

Primary Examiner—B. J. Bullock

Attorney, Agent, or Firm—Bell, Seltzer, Park & Gibson

[57] **CLAIM**

The ornamental design for a garment hanger, as shown and described.

DESCRIPTION

FIG. 1 is a perspective view of the garment hanger which illustrates the new design with the environment shown in phantom for illustrative purposes only;

FIG. 2 is a left side view of FIG. 3;

FIG. 3 is a front view thereof;

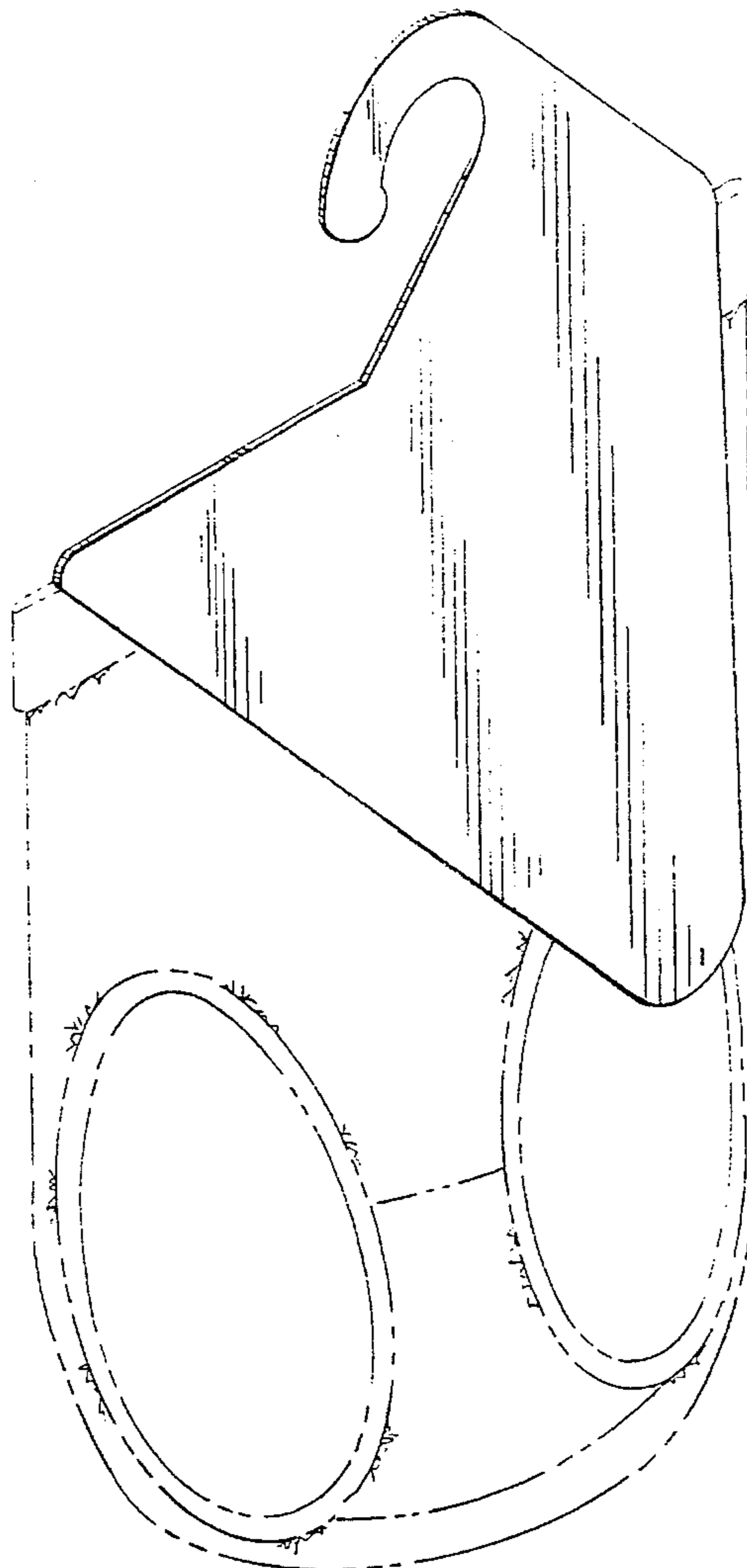
FIG. 4 is a right side view of FIG. 3;

FIG. 5 is a top view of FIG. 6;

FIG. 6 is a back view thereof; and,

FIG. 7 is a bottom view of FIG. 6.

1 Claim, 2 Drawing Sheets



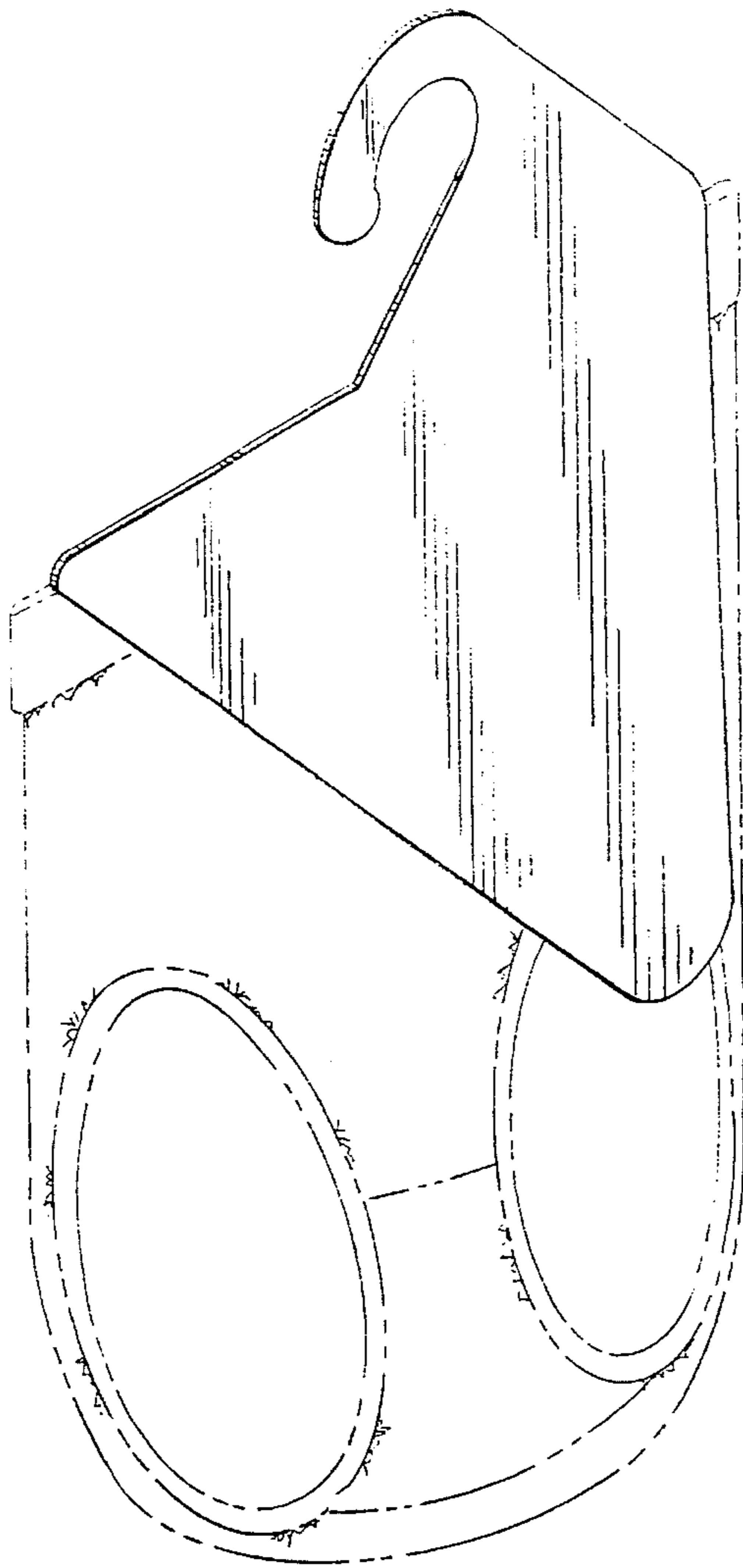


FIG. 1.

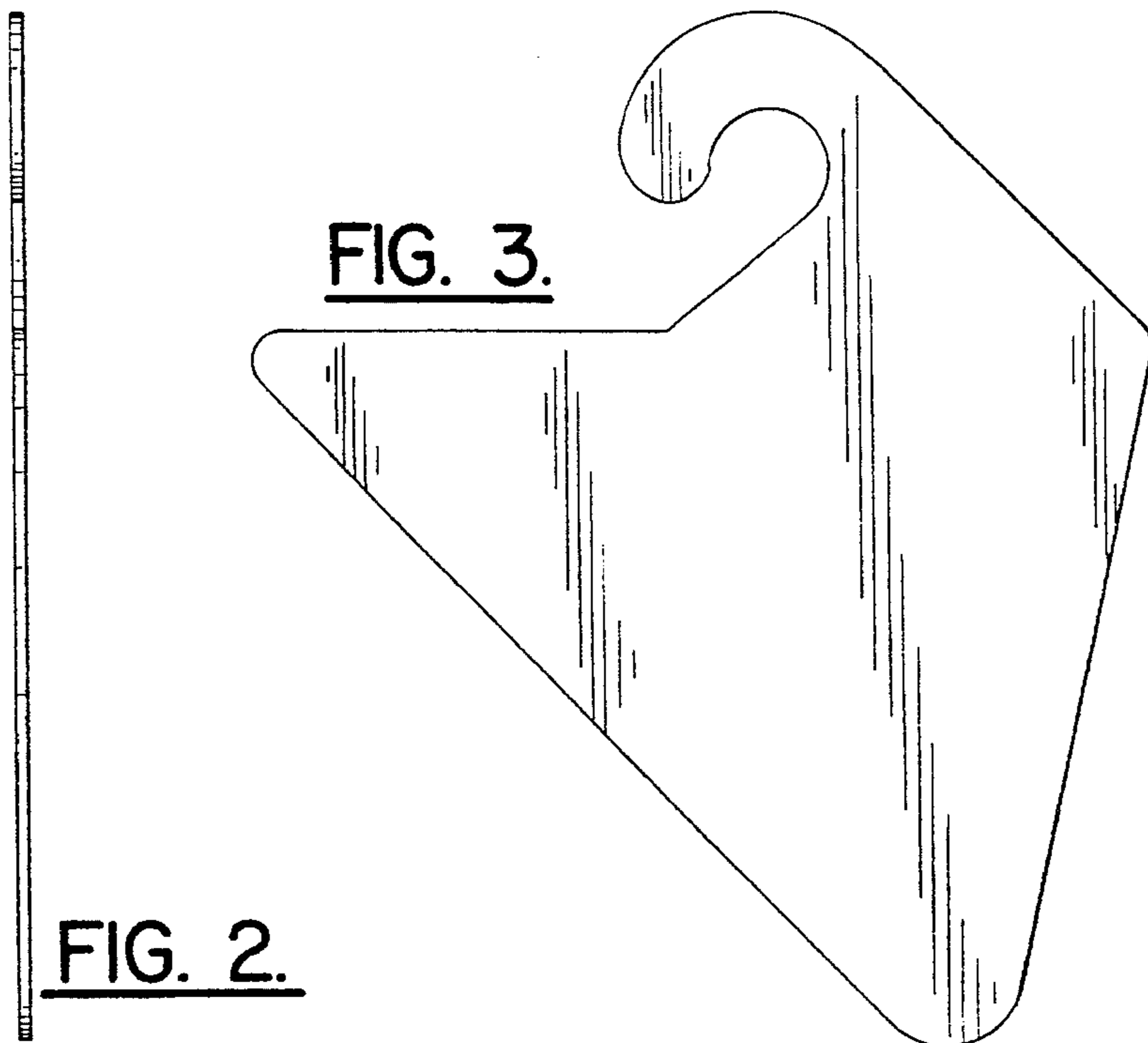


FIG. 3.

FIG. 2.

FIG. 4.

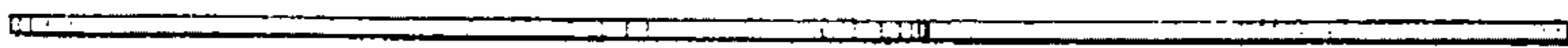


FIG. 5.

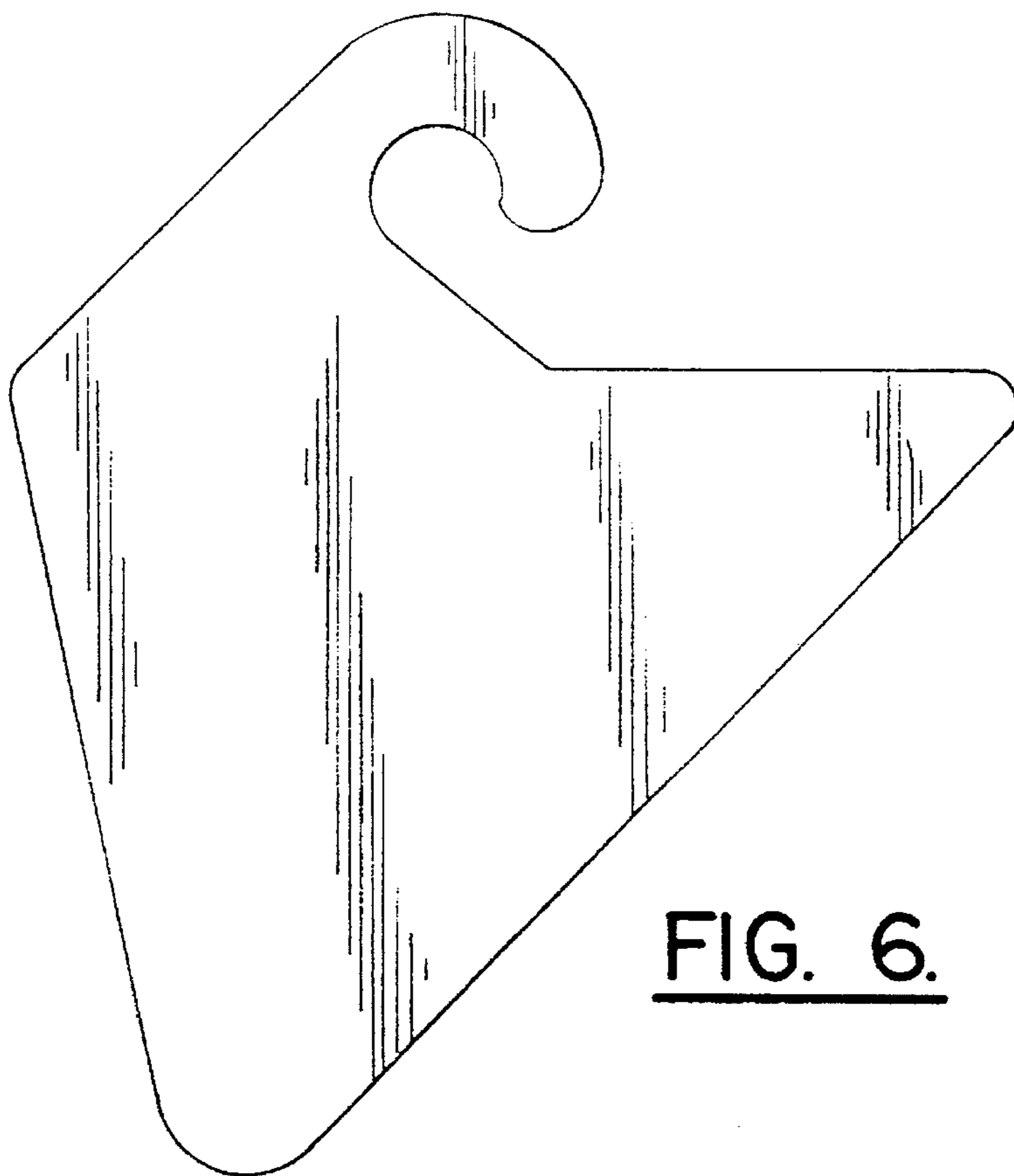


FIG. 6.

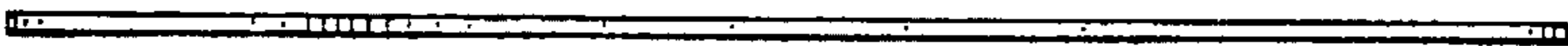


FIG. 7.