



US00D365682S

# United States Patent [19]

[11] Patent Number: **Des. 365,682**

Calmeise et al.

[45] Date of Patent: **\*\*Jan. 2, 1996**

## [54] STORAGE BIN CONTAINER

[75] Inventors: **Randall Calmeise**, Oakwood Village;  
**John A. Vura**, Wooster, both of Ohio

[73] Assignee: **Rubbermaid Incorporated**, Wooster,  
Ohio

[\*\*] Term: **14 Years**

[21] Appl. No.: **27,055**

[22] Filed: **Aug. 12, 1994**

[52] U.S. Cl. .... **D3/319**; D9/422

[58] Field of Search ..... D3/201, 284, 297,  
D3/319, 320; D7/614; D9/422; 132/286;  
229/107; 206/499, 551, 823, 828

## [56] References Cited

### U.S. PATENT DOCUMENTS

D. 191,144	8/1961	Schanz	.....	D38/12
D. 270,980	10/1983	Haigh	.....	D7/614 X
D. 275,918	10/1984	Taylor	.....	D6/510
D. 309,106	7/1990	Willson	.....	D9/430
D. 309,970	8/1990	Embree et al.	.....	D34/40
D. 310,748	9/1990	Embree et al.	.....	D34/40
D. 311,799	10/1990	Embree et al.	.....	D34/40
D. 340,803	11/1993	Bradford et al.	.....	D3/74
798,264	8/1905	Carrier	.....	229/107
3,113,680	12/1963	Frater et al.	.....	211/126
3,206,266	9/1965	Holloway et al.	.....	312/216
3,252,614	5/1966	Evans	.....	220/97
3,259,269	7/1966	Asenbauer	.....	220/97
3,347,394	10/1967	Gould	.....	211/126
3,481,066	12/1969	Woolworth	.....	43/57.5
4,015,713	4/1977	Clipson et al.	.....	206/509
4,373,636	2/1983	Hoffman	.....	229/107 X
5,425,971	6/1995	Chiang-Cheng	.....	206/823 X

### FOREIGN PATENT DOCUMENTS

2495106	6/1982	France	.....	229/107
---------	--------	--------	-------	---------

### OTHER PUBLICATIONS

Advertisement, Storage bins; Handsome Rewards, 19465 Brennan Avenue, Perris, California 92379. Published at least as early as Jul. 17, 1989.

P. 6, Boxes; Plano Molding Company, 431 East South Street,

Plano, Illinois 60545-1601. Publication date 1991.

P. 13, Storage bins; Flambeau, P.O. Box 5067, Columbus, Indiana 47202. Publication date 1987.

Catalog page, Boxes; Flambeau Products Corporation, 15981 Valplast Road, Middlefield, Ohio 44062. Publication date Aug., 1991.

Sell sheet, Akrobins; Akro-Mils, P.O. Box 989, Akron, Ohio 44309. Publication date Aug. 1, 1987.

P. 6, Drawer boxes; Akro-Mils, P.O. Box 989, Akron, Ohio. Publication date 1989.

Label, Mini Store Tote; Empak Consumer Products Division, 4571 Valley Industrial Boulevard, South, Shakopee, Minnesota 55379. Published at least as early as Dec., 1993.

Pp. 12, 13 and 15, Organizers and bins; Contico, 1101 Warson Road, St. Louis, Missouri 63132. Publication date 1991-92.

Sell sheet, Organizers; Sun Paradise Co., Ltd., 4th Floor, Chung Kai Ind. Bldg., 9 Luk Hop Street, San Po Kong, Kowloon, Hong Kong. Publication date Oct., 1993.

Catalog page, Model C24; Bush Lake Industries Inc., Shakopee, Minnesota 55379. Publication date 1988.

Price list page, Storage bins; Empak Consumer Products Division, 4571 Valley Industrial Boulevard, South, Shakopee, Minnesota 55379. Publication date 1992.

Catalog page, Cubes; Ingrid Ltd. 3601 North Skokie Highway, North Chicago, Illinois 60069. Publication date 1986.

*Primary Examiner*—Louis S. Zarfes

*Assistant Examiner*—Monica A. Hannon

*Attorney, Agent, or Firm*—Richard B. O'Planick; Lisa B. Riedesel

## [57] CLAIM

The ornamental design for a storage bin container, as shown and described.

## DESCRIPTION

FIG. 1 is a top right front perspective view of a storage bin container showing our new design;

FIG. 2 is a rear elevational view thereof;

FIG. 3 is a top plan view thereof;

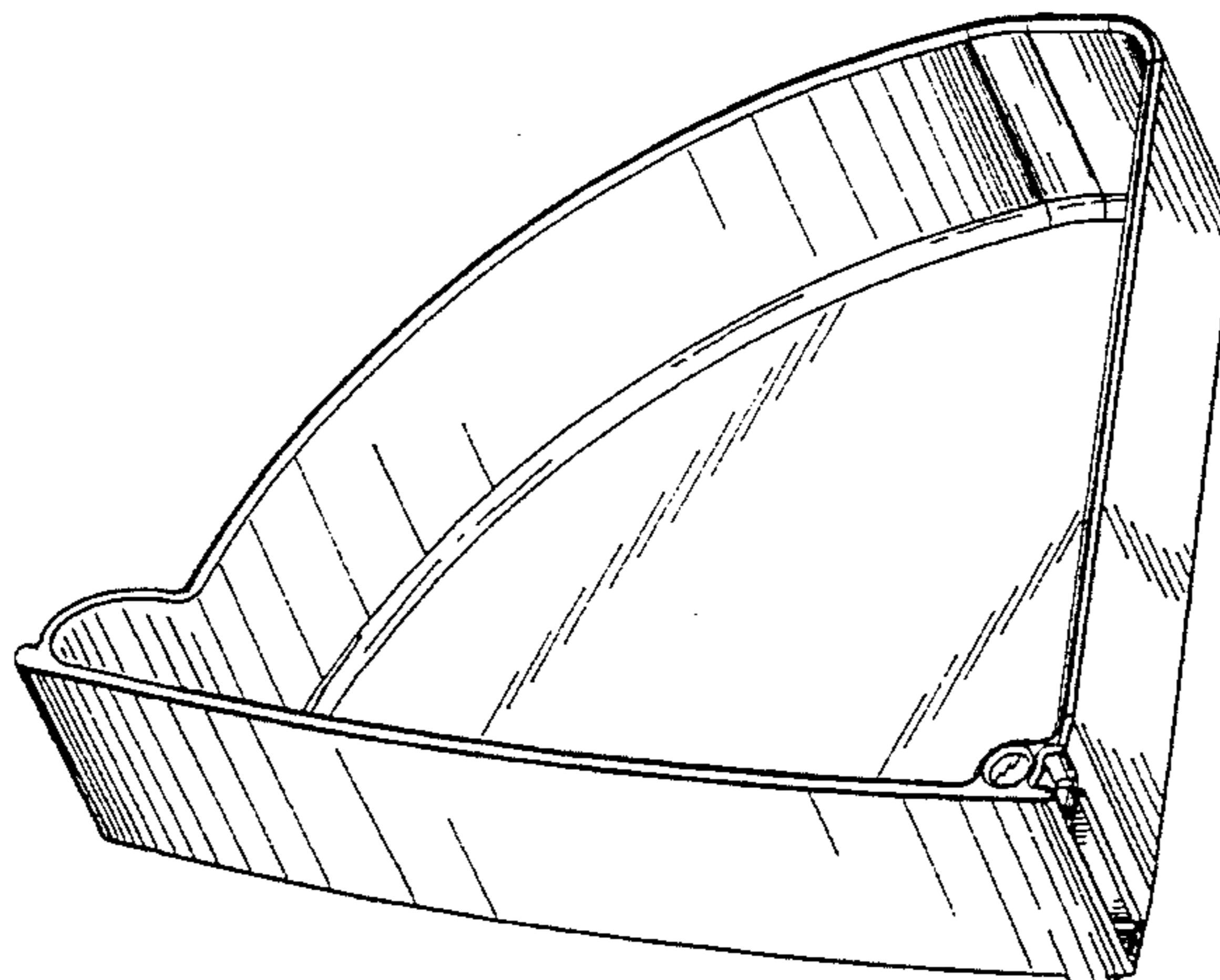
FIG. 4 is a right side elevational view thereof;

FIG. 5 is a left side elevational view thereof;

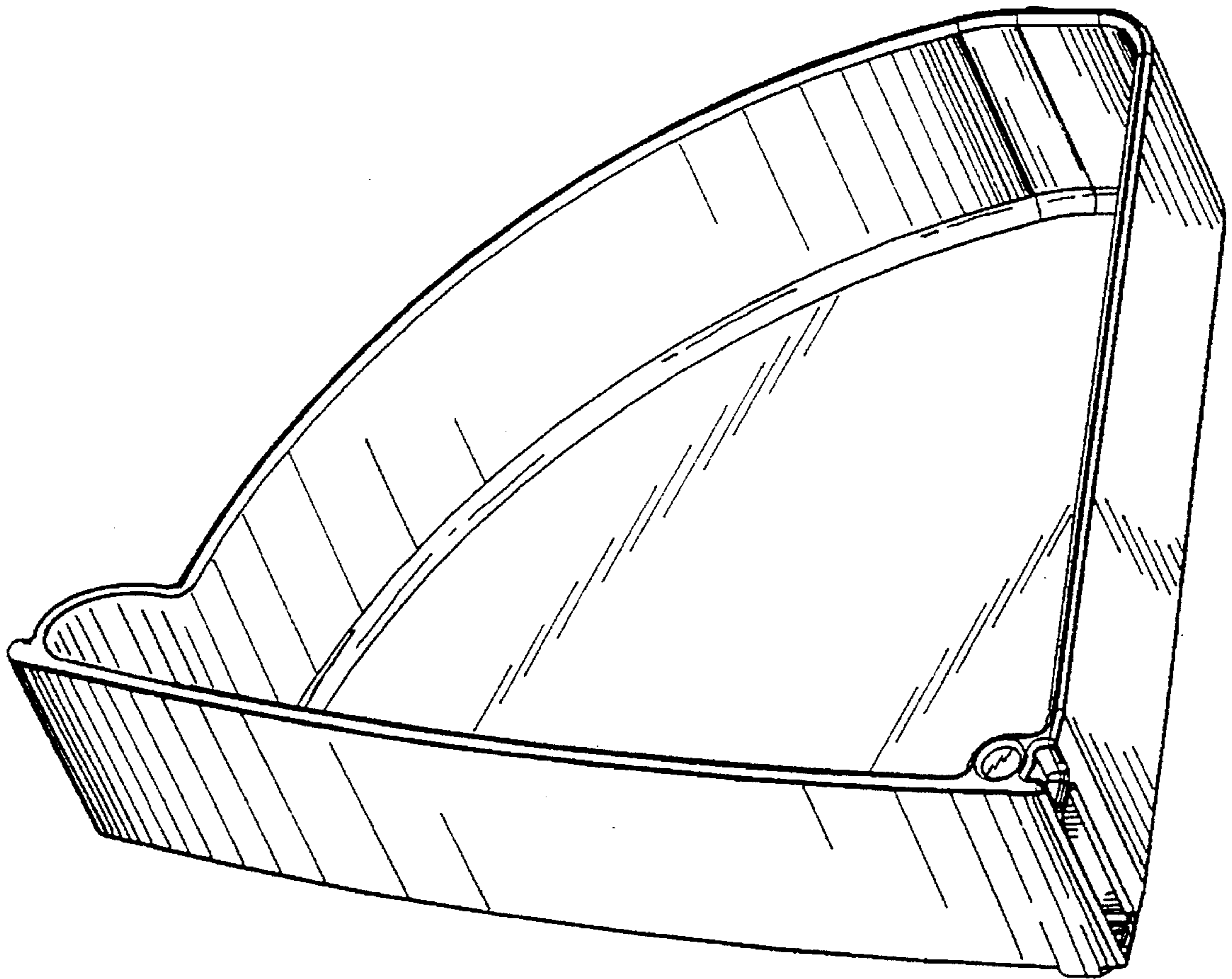
FIG. 6 is a bottom plan view thereof; and,

FIG. 7 is a front elevational view thereof.

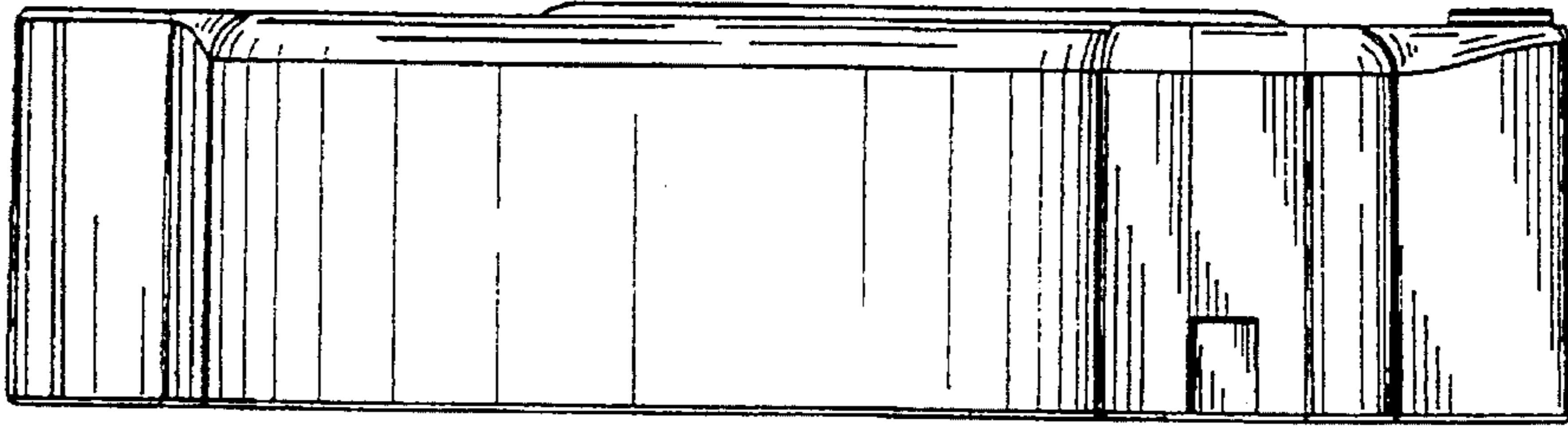
**1 Claim, 3 Drawing Sheets**



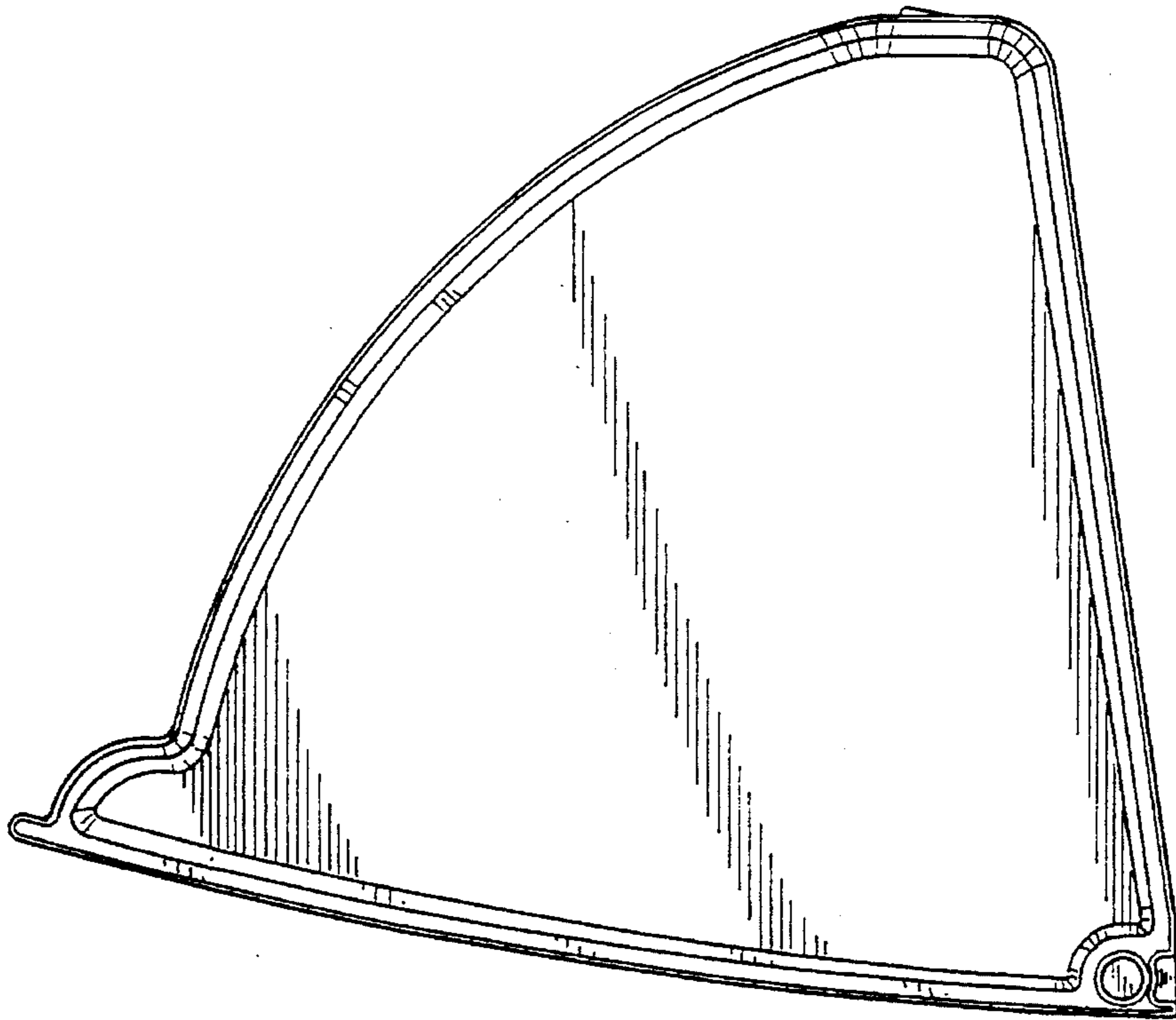
*FIG. 1*



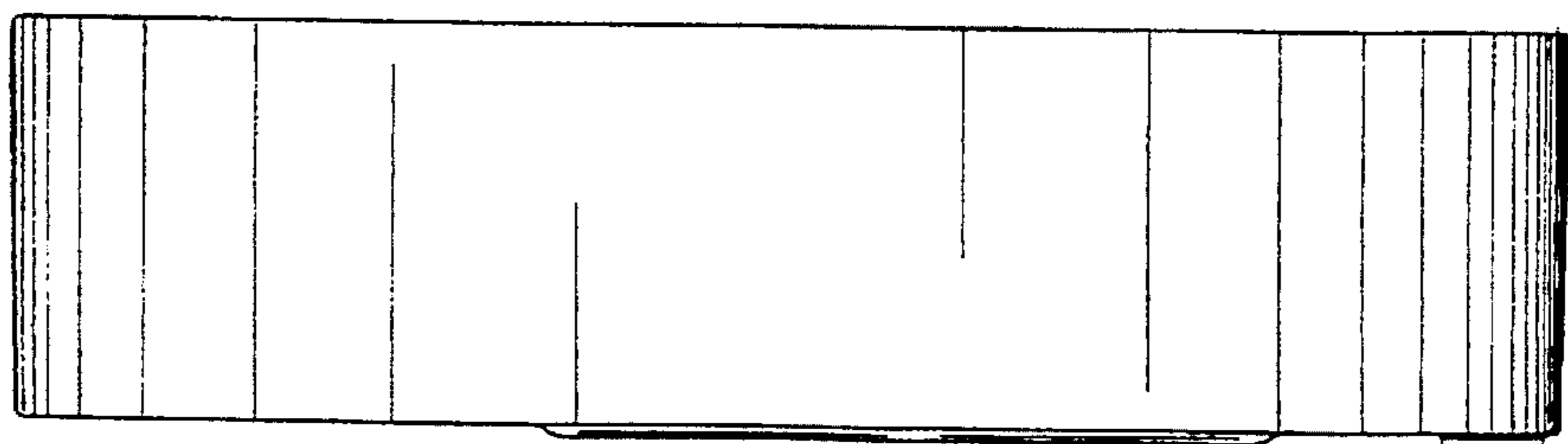
*FIG. 2*



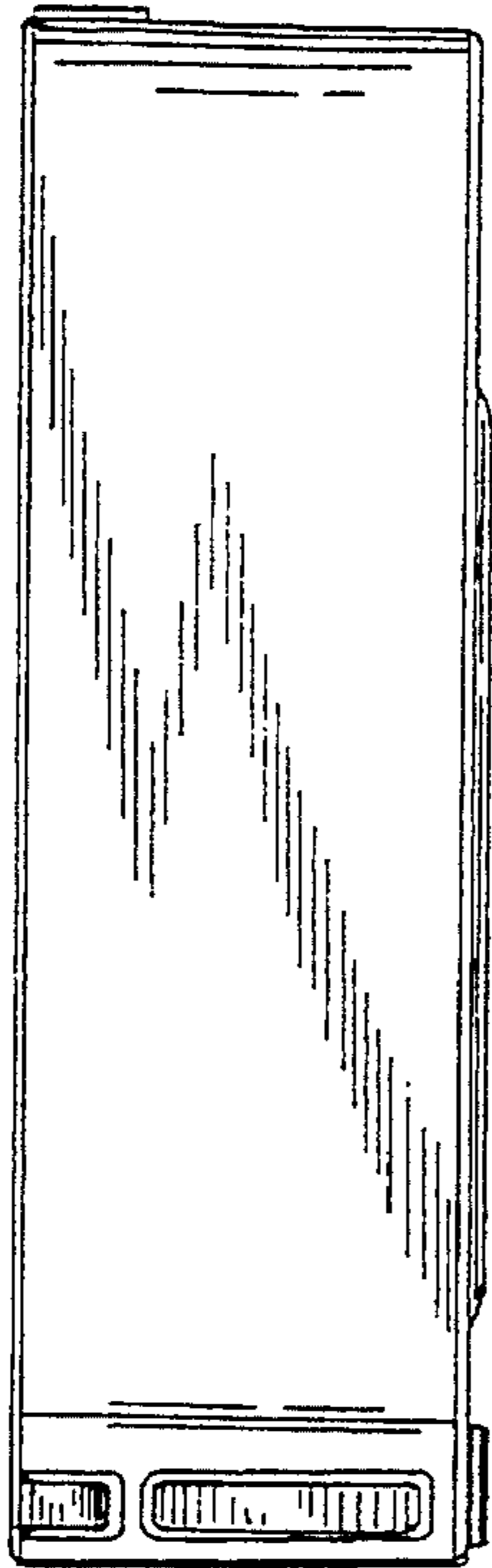
*FIG. 3*



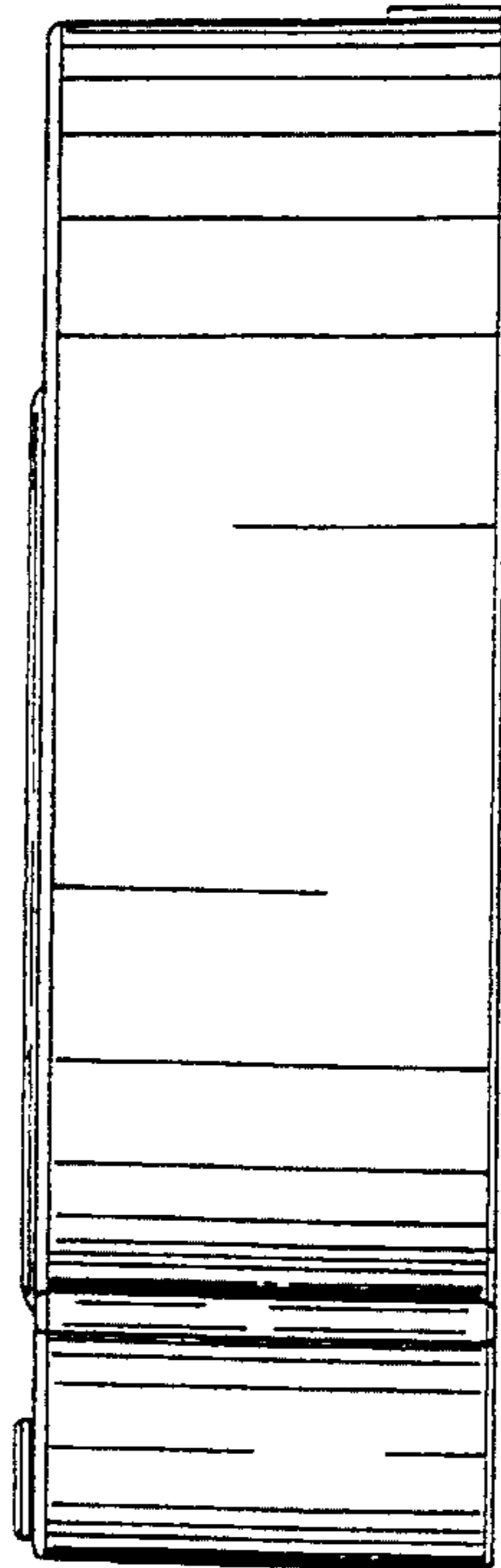
*FIG. 7*



*FIG. 4*



*FIG. 5*



*FIG. 6*

