



US00D365681S

United States Patent [19]
Chow

[11] **Patent Number: Des. 365,681**

[45] **Date of Patent: **Jan. 2, 1996**

[54] **TOOL HOLDER FOR WRENCHES**

[76] Inventor: **Jessie Chow**, No. 18, Hou Juan Road,
Taichung, Taiwan

[**] Term: **14 Years**

[21] Appl. No.: **18,196**

[22] Filed: **Feb. 1, 1994**

[52] U.S. Cl. **D3/315**

[58] Field of Search **D3/315; 206/375,**
206/376, 377, 378, 372, 818; D8/71

[56] **References Cited**

U.S. PATENT DOCUMENTS

3,370,696	2/1968	Groe	206/376 X
3,702,136	11/1972	Albertson	206/376 X
5,020,666	6/1991	Barlean	206/376
5,173,999	12/1992	Welk et al.	206/376

Primary Examiner—Louis S. Zarfes
Assistant Examiner—Catherine R. Oliver
Attorney, Agent, or Firm—Charles E. Baxley

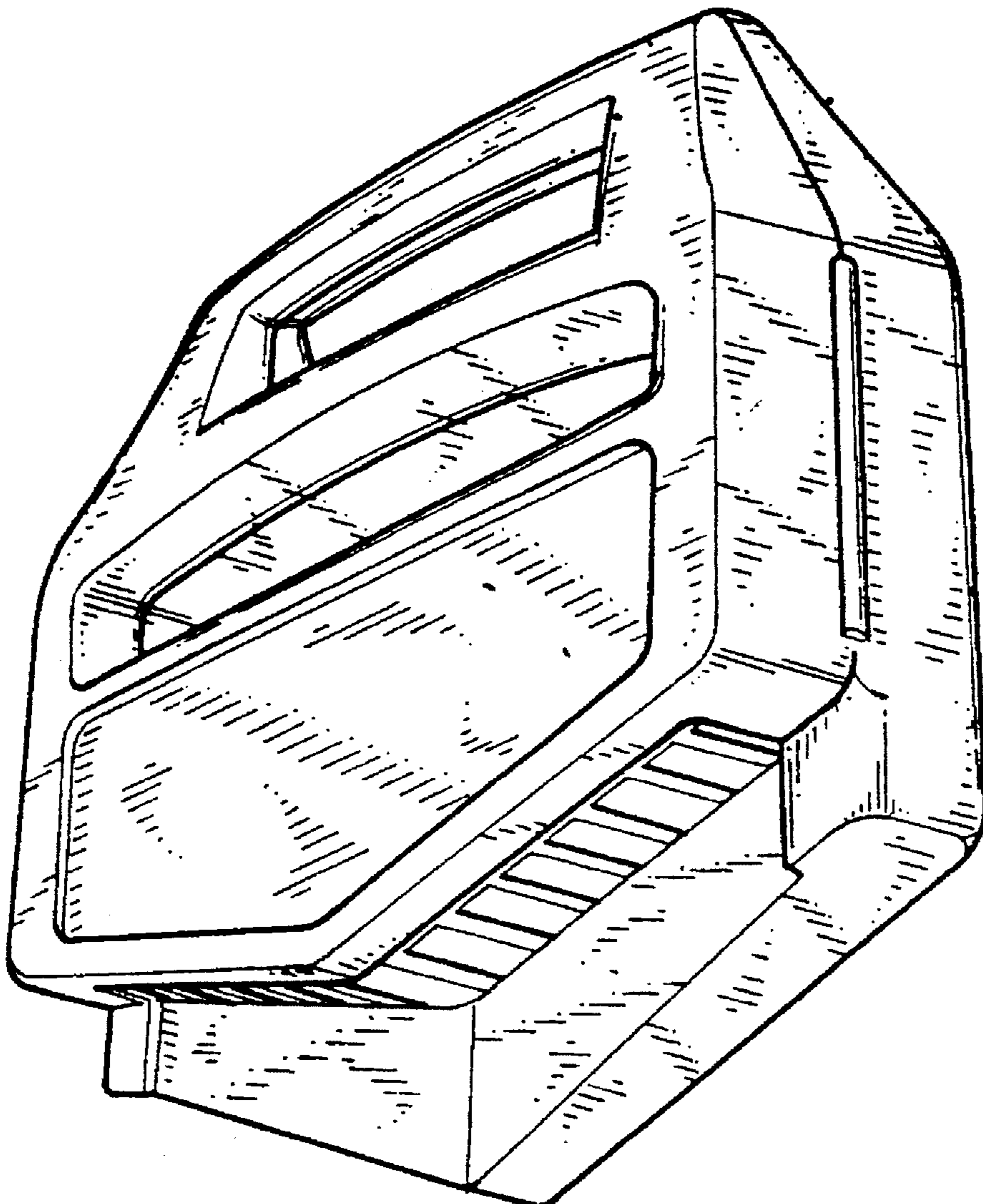
[57] **CLAIM**

The ornamental design for a tool holder for wrenches, as shown and described.

DESCRIPTION

FIG. 1 is a perspective view of a tool holder for wrenches showing my new design;
FIG. 2 is a front elevational view thereof;
FIG. 3 is a rear elevational view thereof;
FIG. 4 is a left side elevational view thereof;
FIG. 5 is a right side elevational view thereof;
FIG. 6 is a top plan view thereof; and,
FIG. 7 is a bottom plan view thereof.

1 Claim, 2 Drawing Sheets



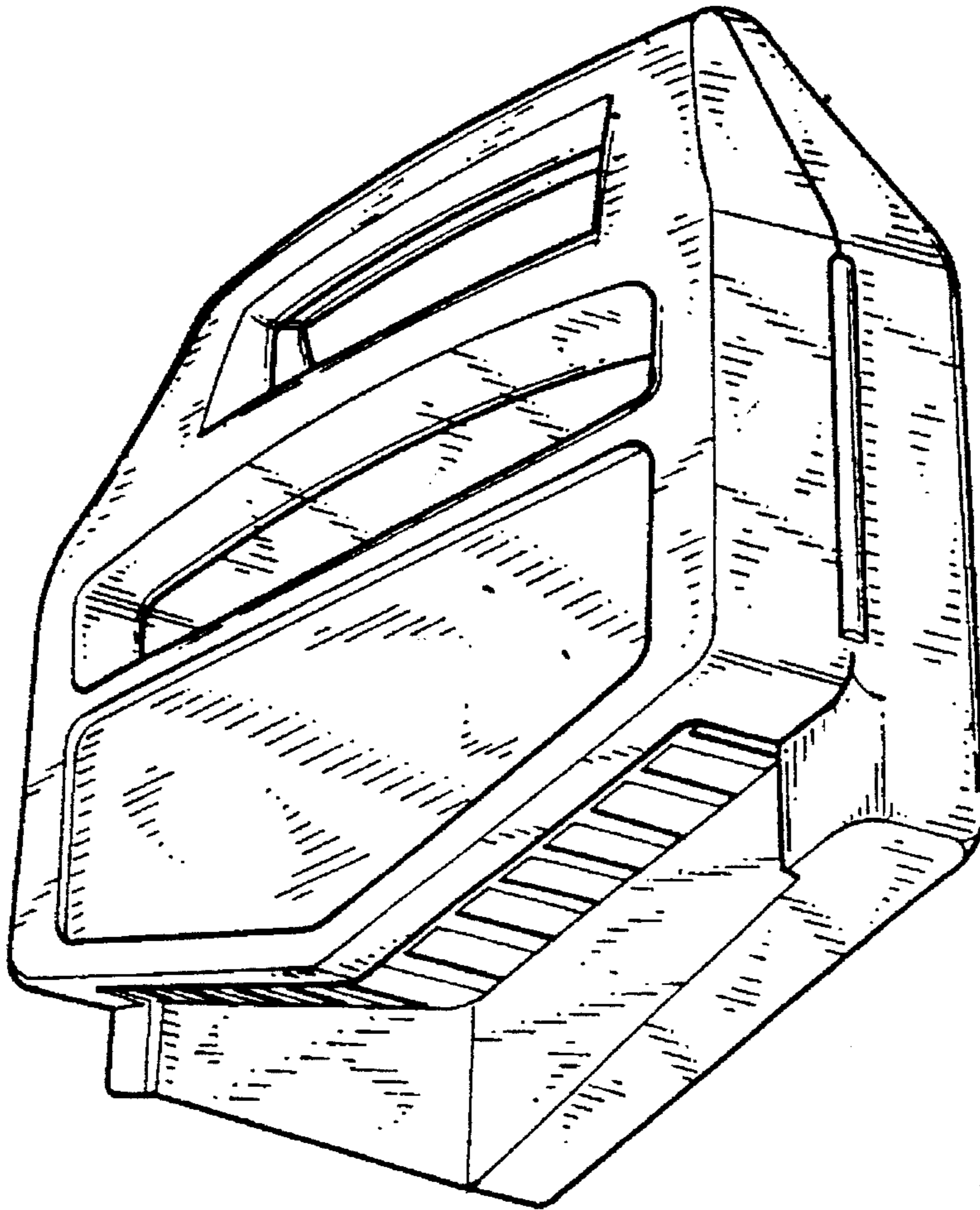


Fig 1

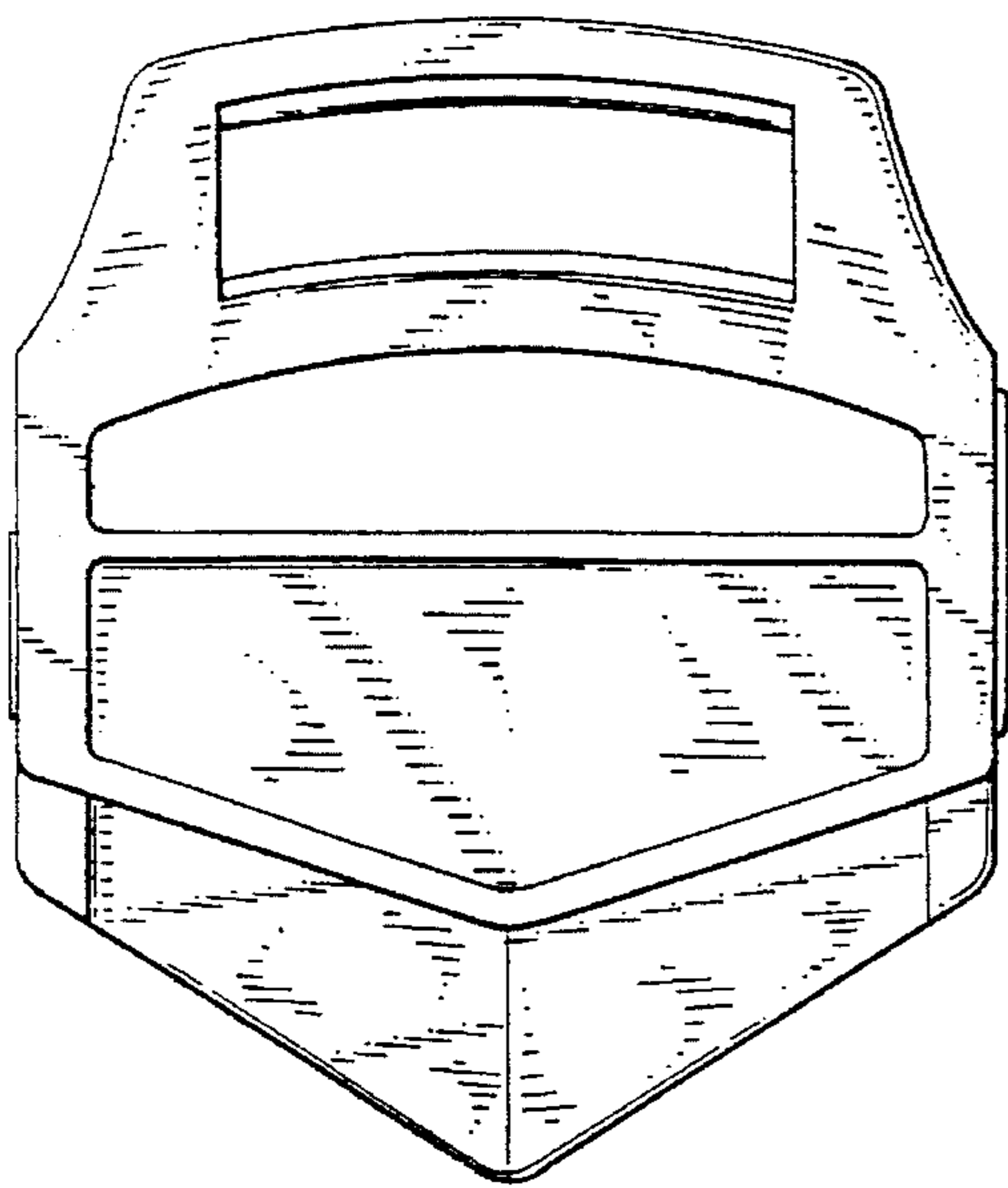


Fig 2

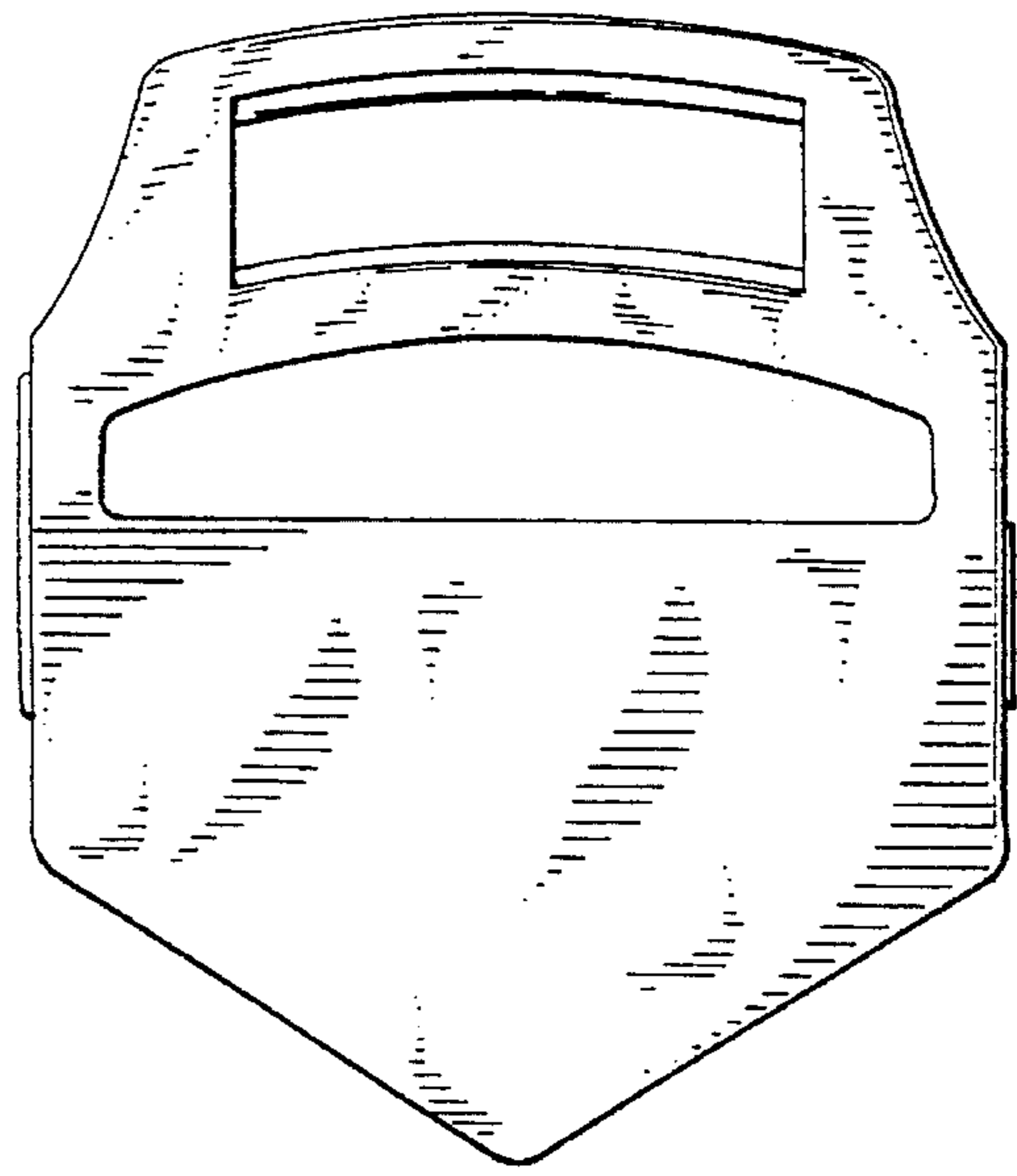


Fig 3

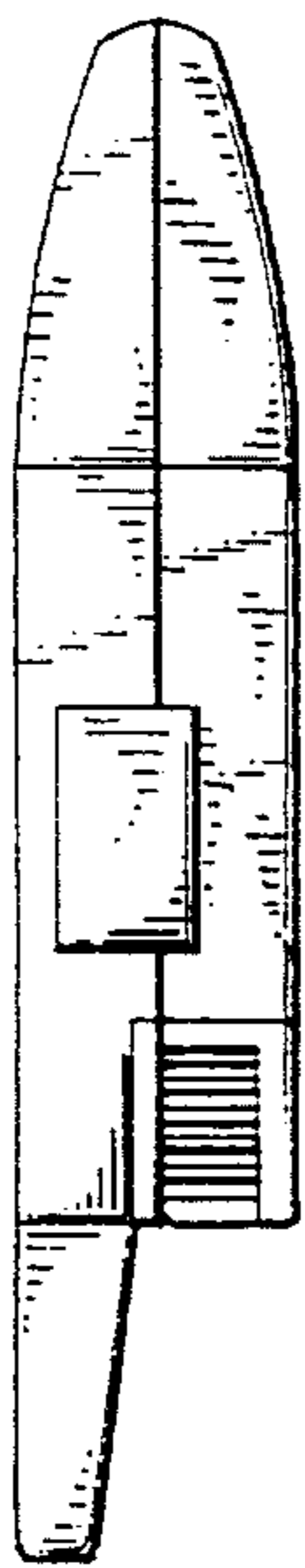


Fig 4

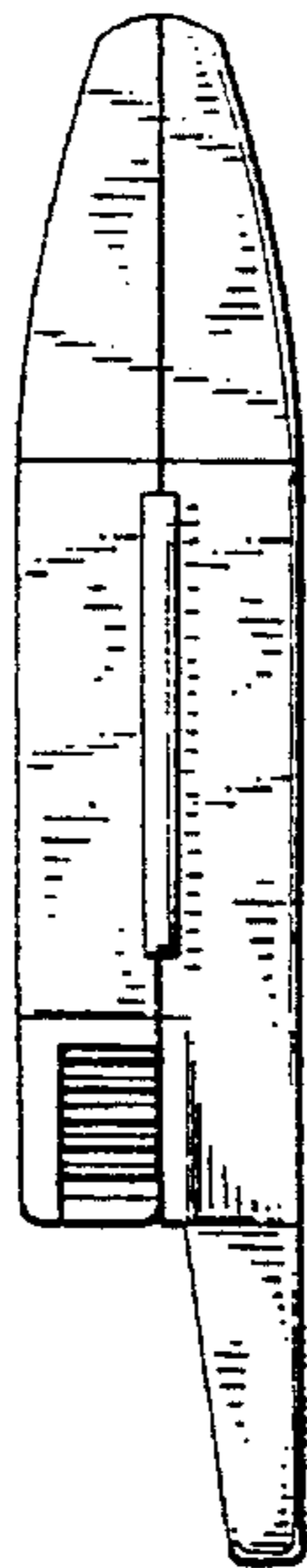


Fig 5

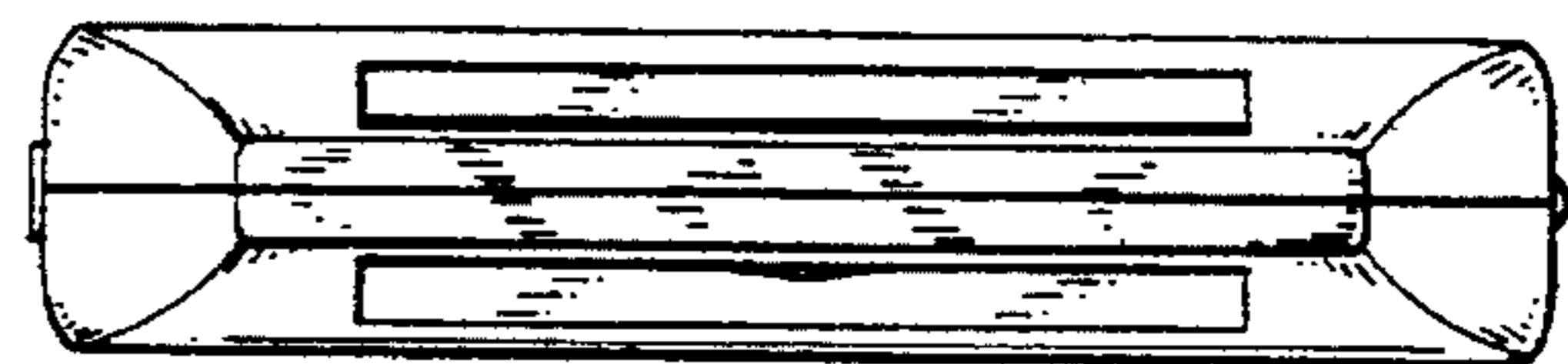


Fig 6

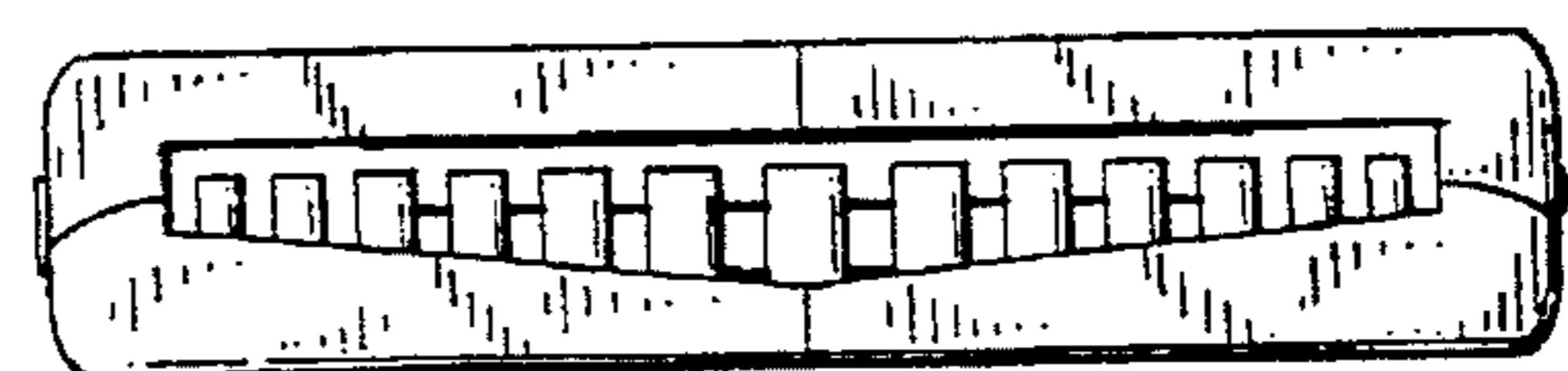


Fig 7