



US00D365680S

United States Patent [19]
Steinfels, III

[11] **Patent Number: Des. 365,680**

[45] **Date of Patent: **Jan. 2, 1996**

[54] **CARRYING CASE**

[76] Inventor: **Victor E. Steinfels, III**, 8627
Gavington Ct., Dublin, Ohio 43017

[**] Term: **14 Years**

[21] Appl. No.: **26,237**

[22] Filed: **Jul. 22, 1994**

[52] **U.S. Cl.** **D3/271**

[58] **Field of Search** D7/514, 604, 606,
D7/623, 515; D9/307; D19/82; D29/102;
D3/270, 271; 206/45.19, 446

[56] **References Cited**

U.S. PATENT DOCUMENTS

D. 209,563	12/1967	Friedman	D3/281
D. 218,349	8/1970	Feeney	D7/604
D. 232,011	7/1974	Denton	D7/604
D. 243,578	3/1977	Danat	.	
D. 250,444	12/1978	Danat et al.	.	
D. 289,610	5/1987	Neyer	D9/320
D. 314,492	2/1991	Weller et al.	D7/604

D. 327,817	7/1992	Paullin	D9/320
D. 330,857	11/1992	Kidd	D9/320
D. 344,659	3/1994	Hsu	D9/307
D. 347,361	5/1994	Herrera	D7/606
4,566,292	1/1986	Parinet	D7/606
5,348,145	9/1994	Steinfels, III	206/446

Primary Examiner—Ted Shooman
Assistant Examiner—Philip Hyder
Attorney, Agent, or Firm—Mueller and Smith

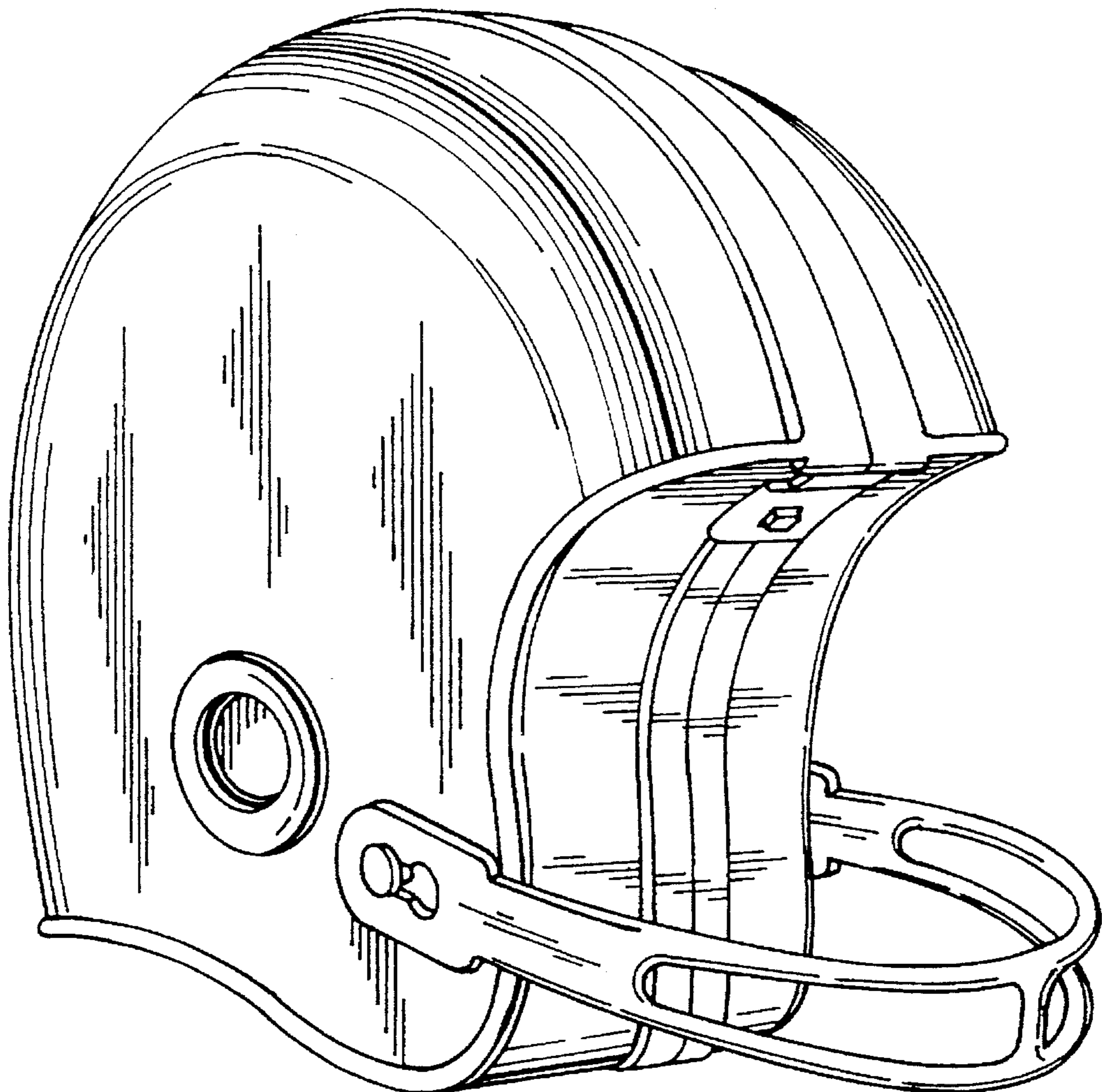
[57] **CLAIM**

The ornamental design for a carrying case, as shown.

DESCRIPTION

FIG. 1 is a right side perspective view of a carrying case showing my new design;
FIG. 2 is a right side view thereof;
FIG. 3 is a left side view thereof;
FIG. 4 is a top view thereof;
FIG. 5 is a front view thereof;
FIG. 6 is a rear view thereof; and,
FIG. 7 is a bottom view thereof.

1 Claim, 3 Drawing Sheets



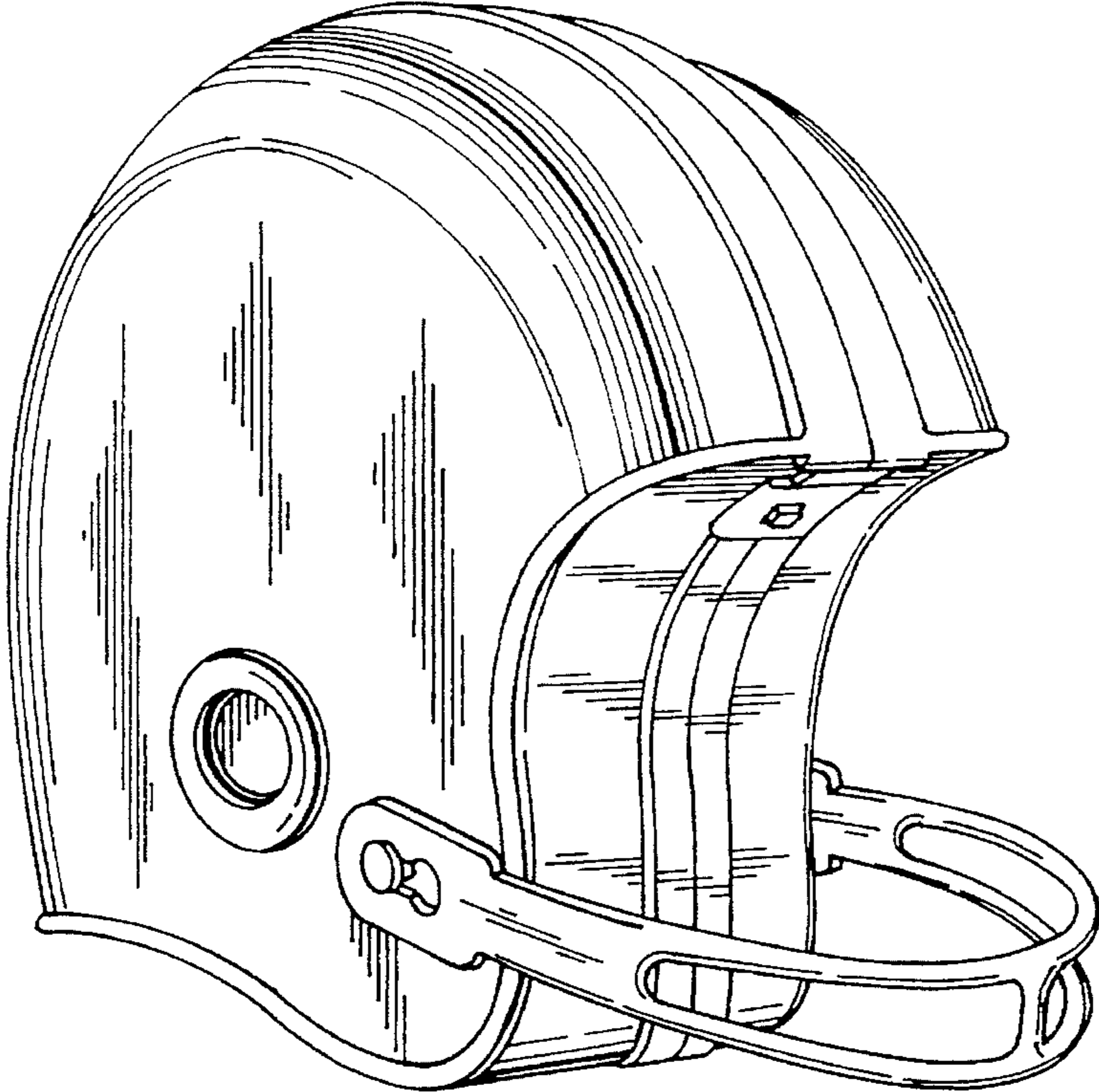


FIG. 1

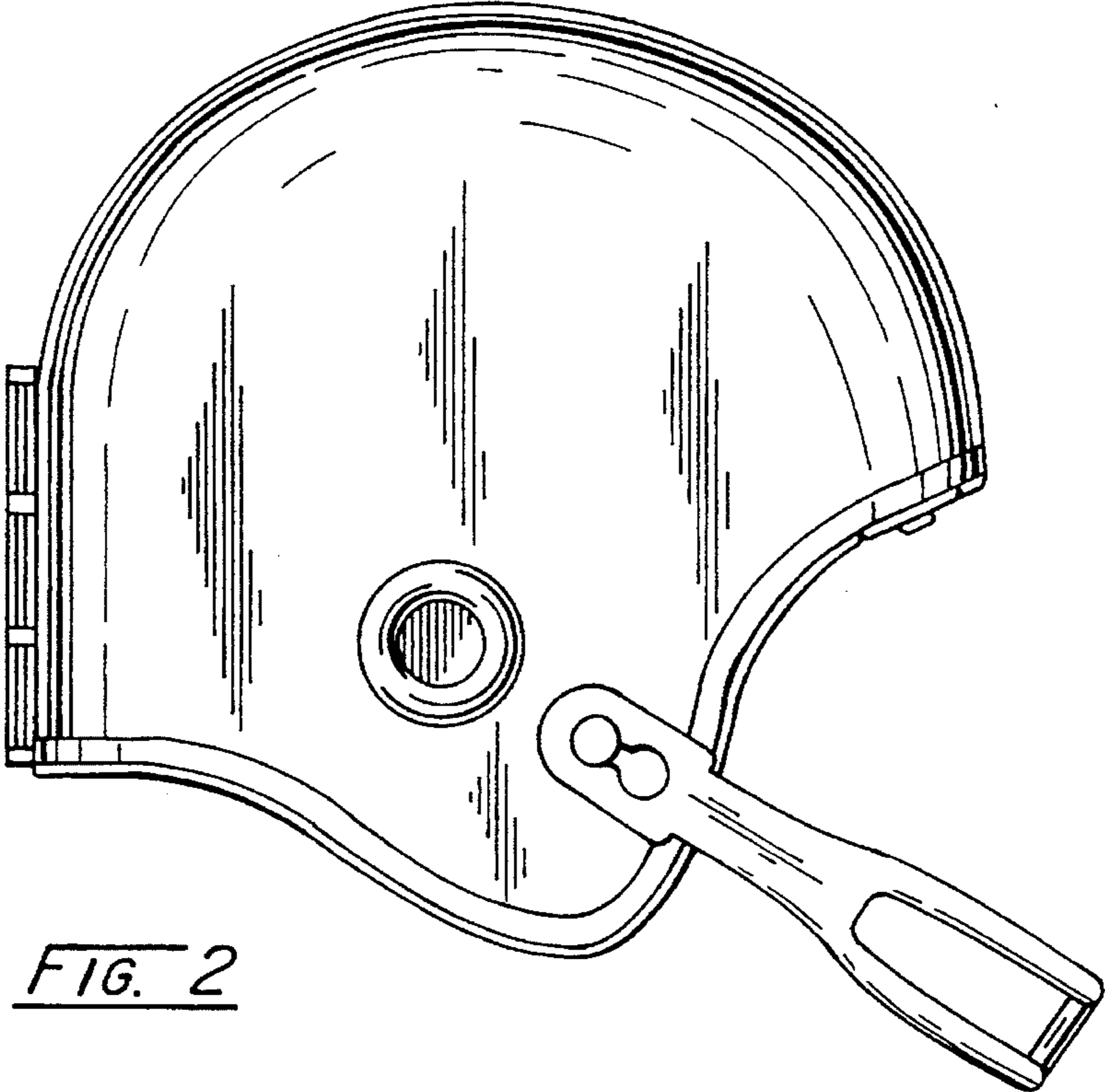


FIG. 2

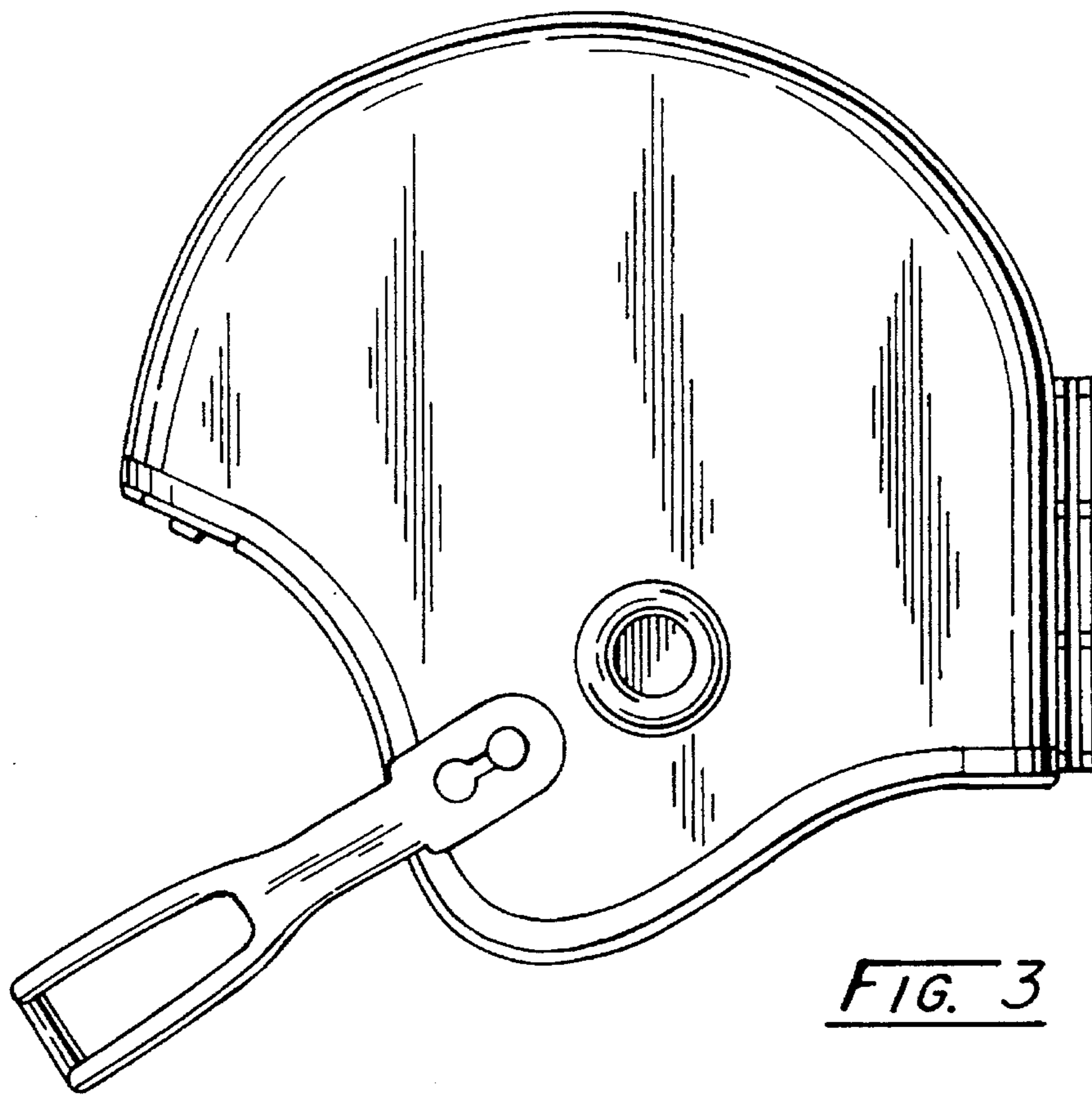


FIG. 3

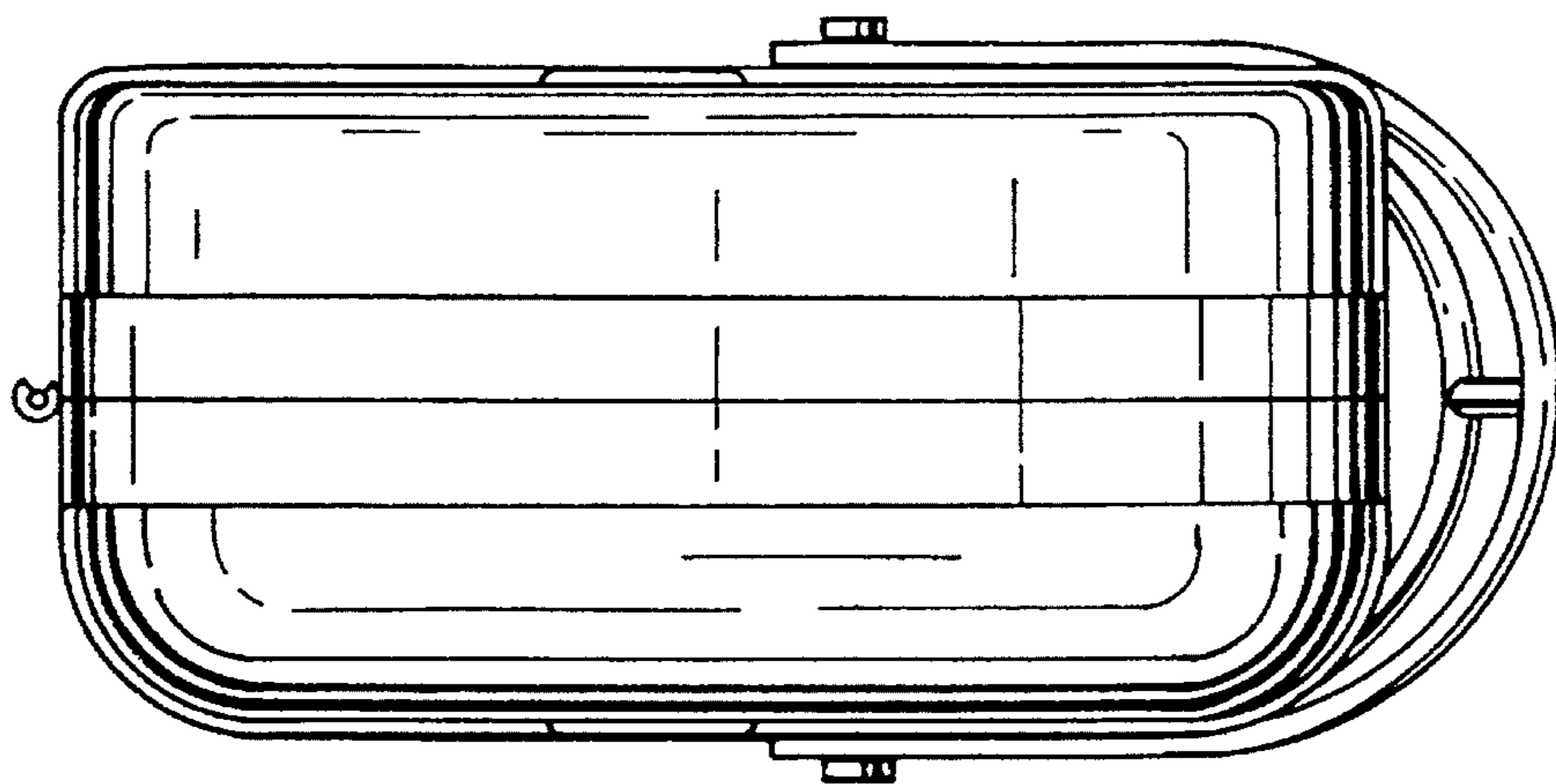


FIG. 4

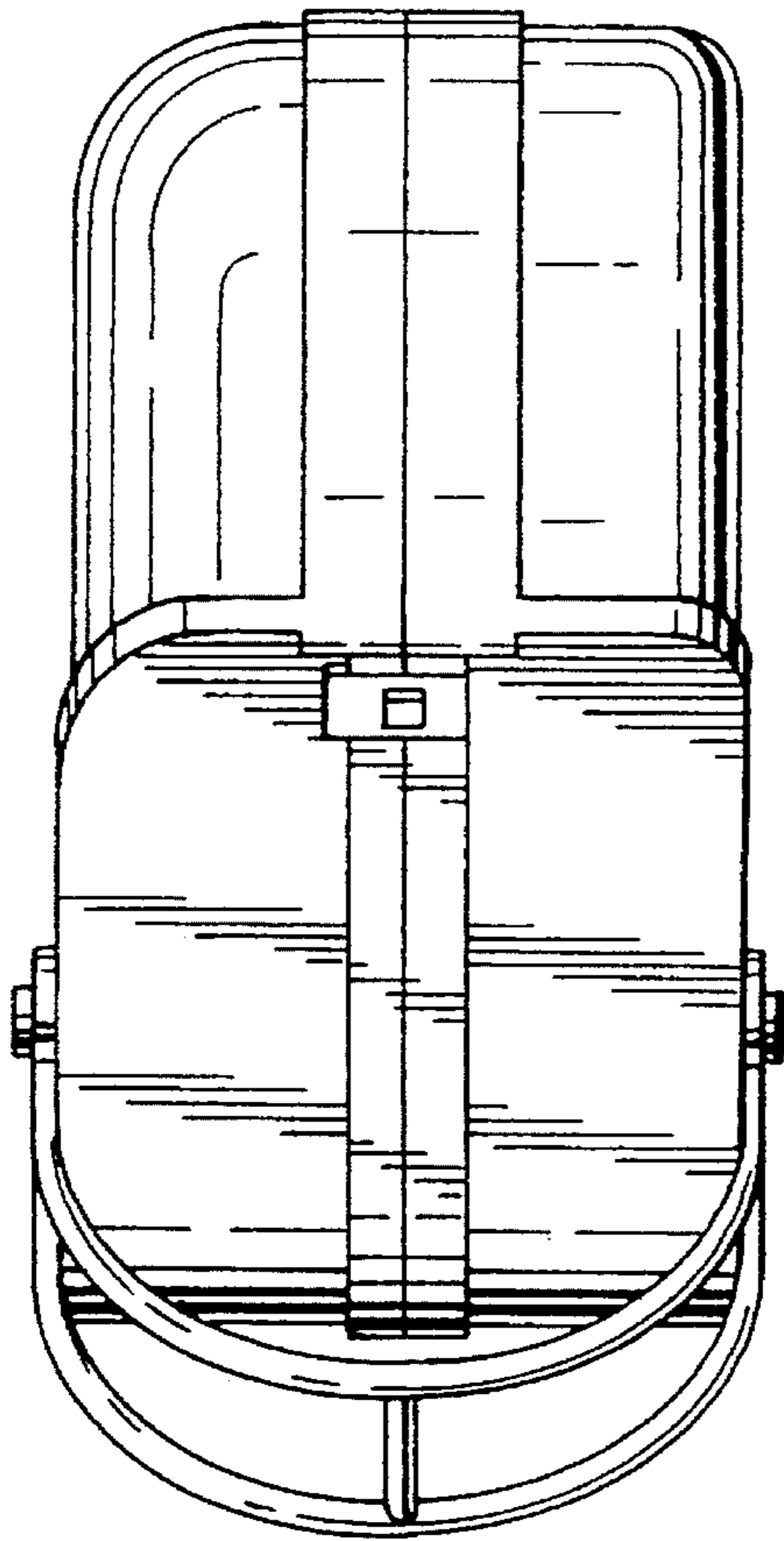


FIG. 5

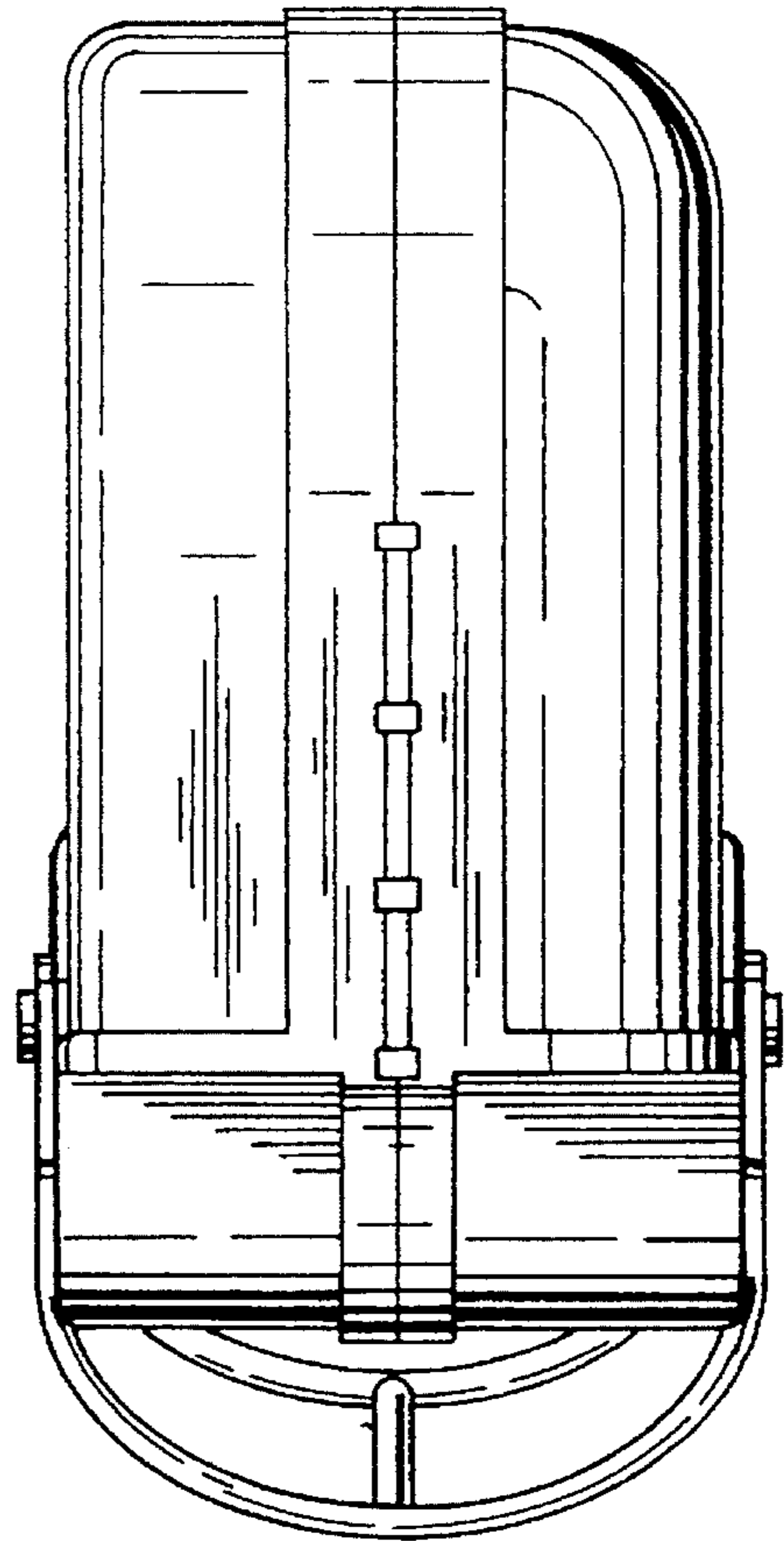


FIG. 6

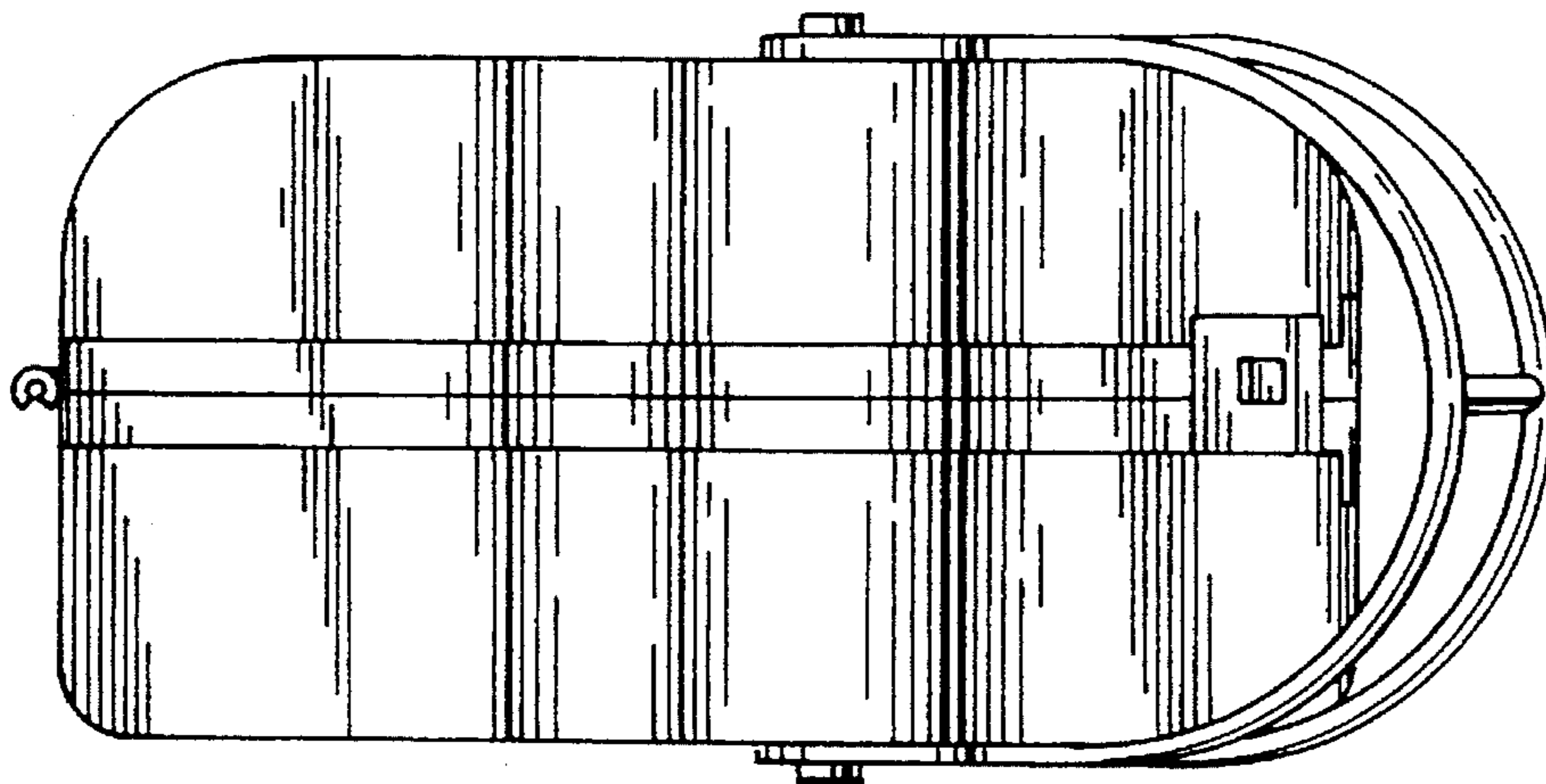


FIG. 7