



US00D365679S

United States Patent [19]

[11] Patent Number: **Des. 365,679**

Abrams et al.

[45] Date of Patent: ****Jan. 2, 1996**

[54] CONTACT LENS PACKAGE

[75] Inventors: **Richard W. Abrams; Russell J. Crossman**, both of Jacksonville, Fla.;
John E. Studer, Morris Plains, N.J.

[73] Assignee: **Johnson & Johnson Vision Products, Inc.**, Jacksonville, Fla.

[**] Term: **14 Years**

[21] Appl. No.: **21,570**

[22] Filed: **Apr. 21, 1994**

[52] U.S. Cl. **D3/264; D3/263**

[58] Field of Search **D3/201, 263, 264; D9/341, 415; D16/134, 136; 206/5.1, 205, 316.1, 822; 134/143, 156, 901**

[56] **References Cited**

U.S. PATENT DOCUMENTS

D. 212,649 11/1968 Kolbeck D3/264
D. 227,744 7/1973 Mitchko D3/264

D. 273,565 4/1984 Driskell et al. D9/415
D. 276,215 11/1984 Wang D9/415
4,691,820 9/1987 Martinez 206/205
5,042,655 8/1991 Beldyk et al. 206/316.1

Primary Examiner—Celia Murphy

[57] **CLAIM**

The ornamental design for a contact lens package, as shown and described.

DESCRIPTION

FIG. 1 is a perspective view of a contact lens package showing our new design;
FIG. 2 is a right side elevational view thereof, the right side being a mirror image;
FIG. 3 is a top plan view thereof;
FIG. 4 is a bottom plan view thereof;
FIG. 5 is a front elevational view thereof;
FIG. 6 is a rear elevational view thereof; and,
FIG. 7 is a bottom perspective view thereof.

1 Claim, 2 Drawing Sheets

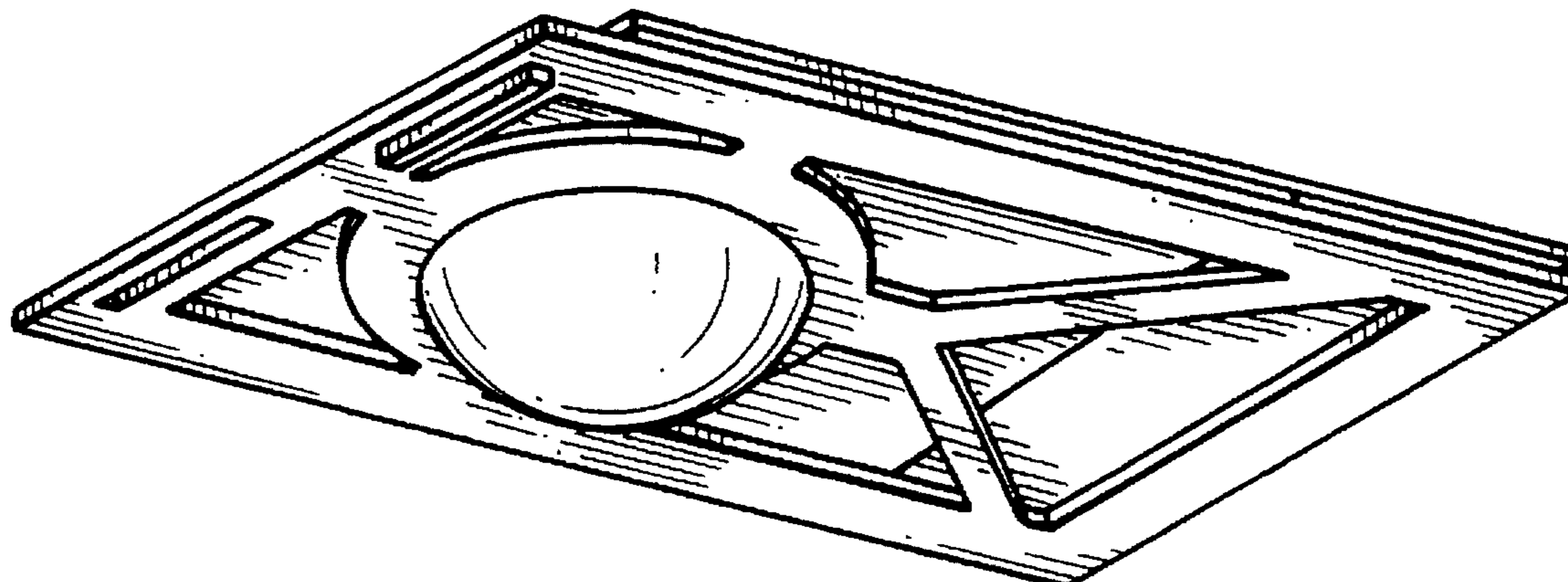
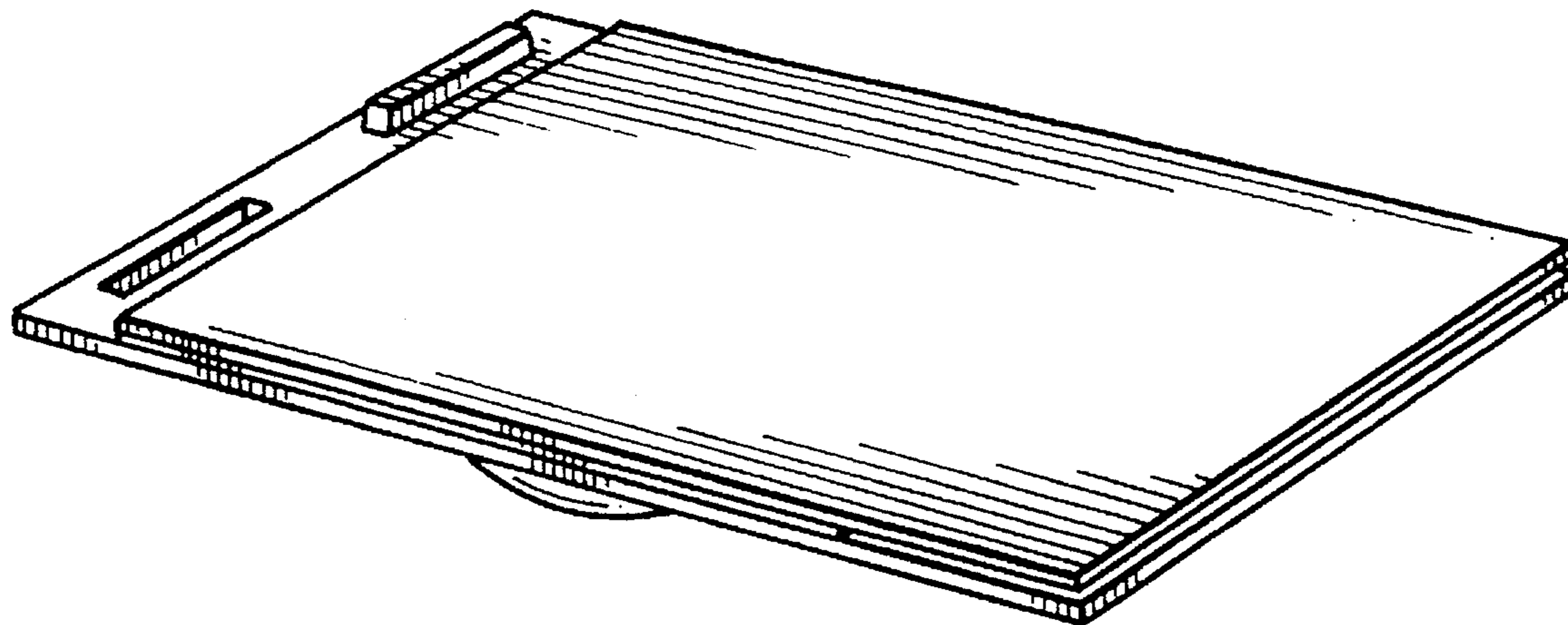


FIG. 1

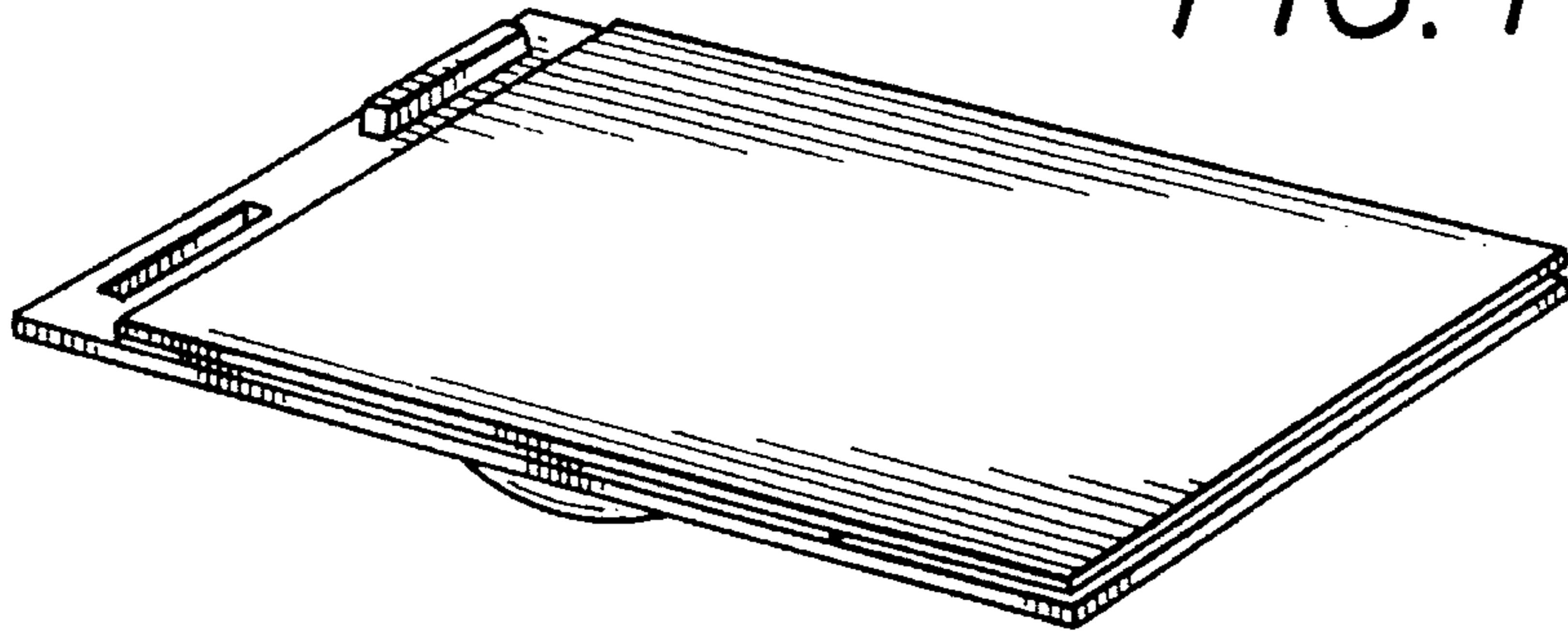


FIG. 2



FIG. 3

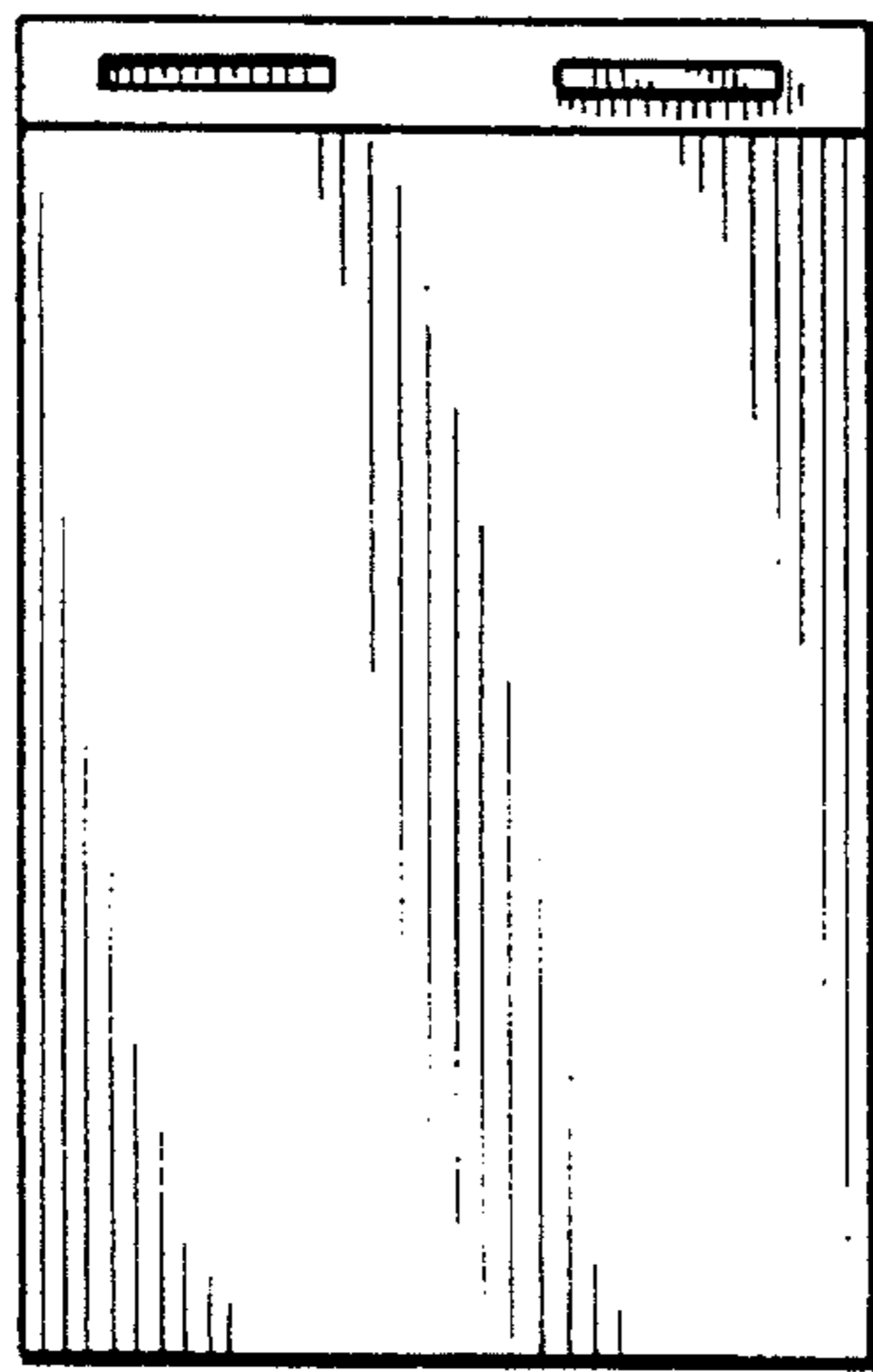


FIG. 4

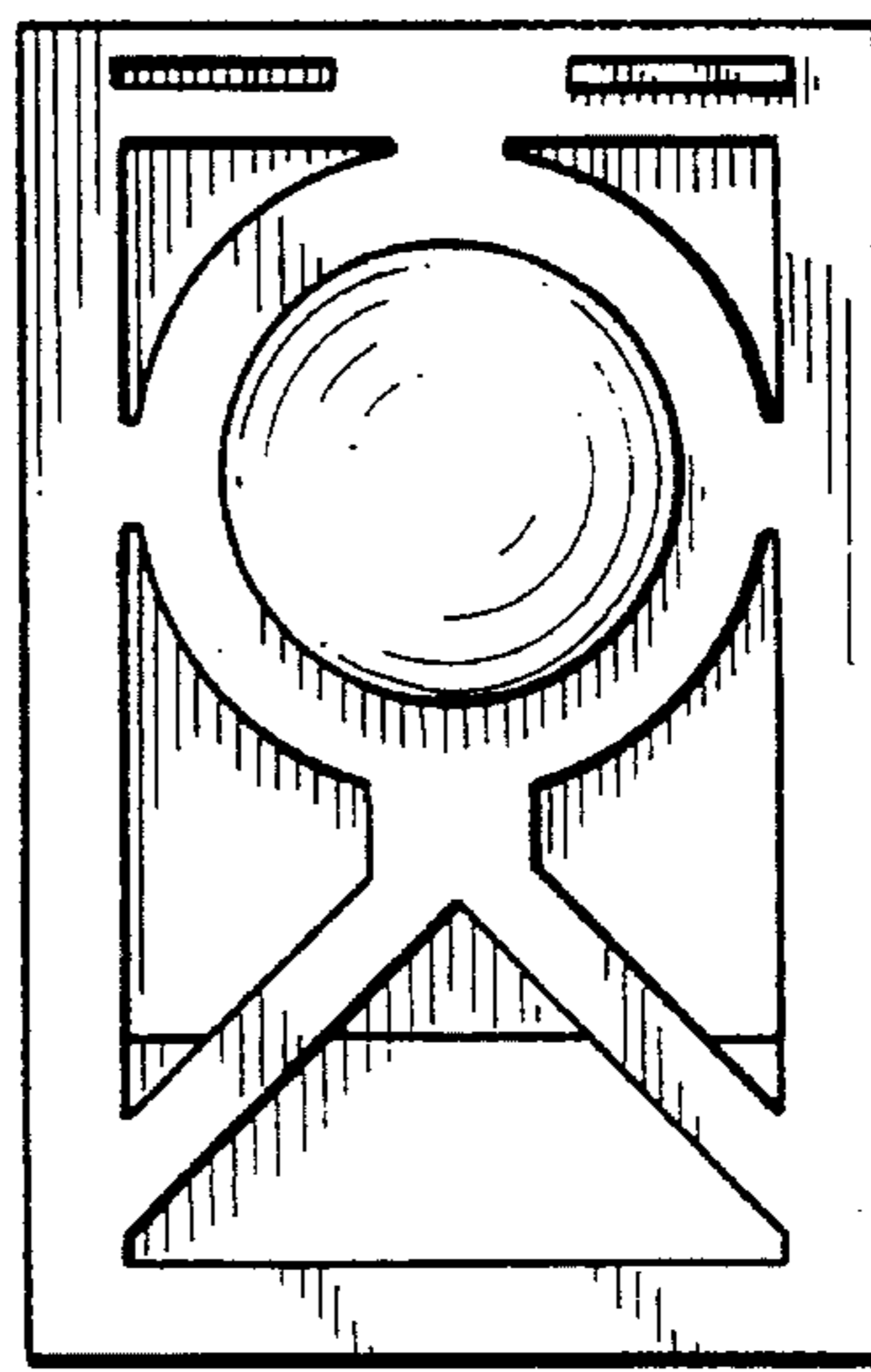


FIG. 5



FIG. 6



FIG. 7

