



US00D365675S

United States Patent [19]

[11] **Patent Number: Des. 365,675**

Macmillan

[45] **Date of Patent: **Jan. 2, 1996**

[54] **BRAKE HANDLE FOR A WALKER**

FOREIGN PATENT DOCUMENTS

[75] Inventor: **Douglas D. Macmillan**, Neapean, Canada

672725 12/1989 Switzerland 135/68

[73] Assignee: **Dana Douglas Medical**, Nepean, Canada

Primary Examiner—Ralf Seifert

[**] Term: **14 Years**

[57] **CLAIM**

The ornamental design for a brake handle for a walker, as shown and described.

[21] Appl. No.: **15,239**

DESCRIPTION

[22] Filed: **Nov. 12, 1993**

[52] U.S. Cl. **D3/12; D12/179**

[58] Field of Search D3/5, 12, 7-10, D3/16; D12/179, 180; 135/65-68, 911

FIG. 1 is a top perspective view of the brake handle showing a spherical enlargement of my new design;

FIG. 2 is a side perspective view of the brake handle showing my new design;

FIG. 3 is a bottom perspective view of the brake handle showing the side opposite to that in FIG. 1;

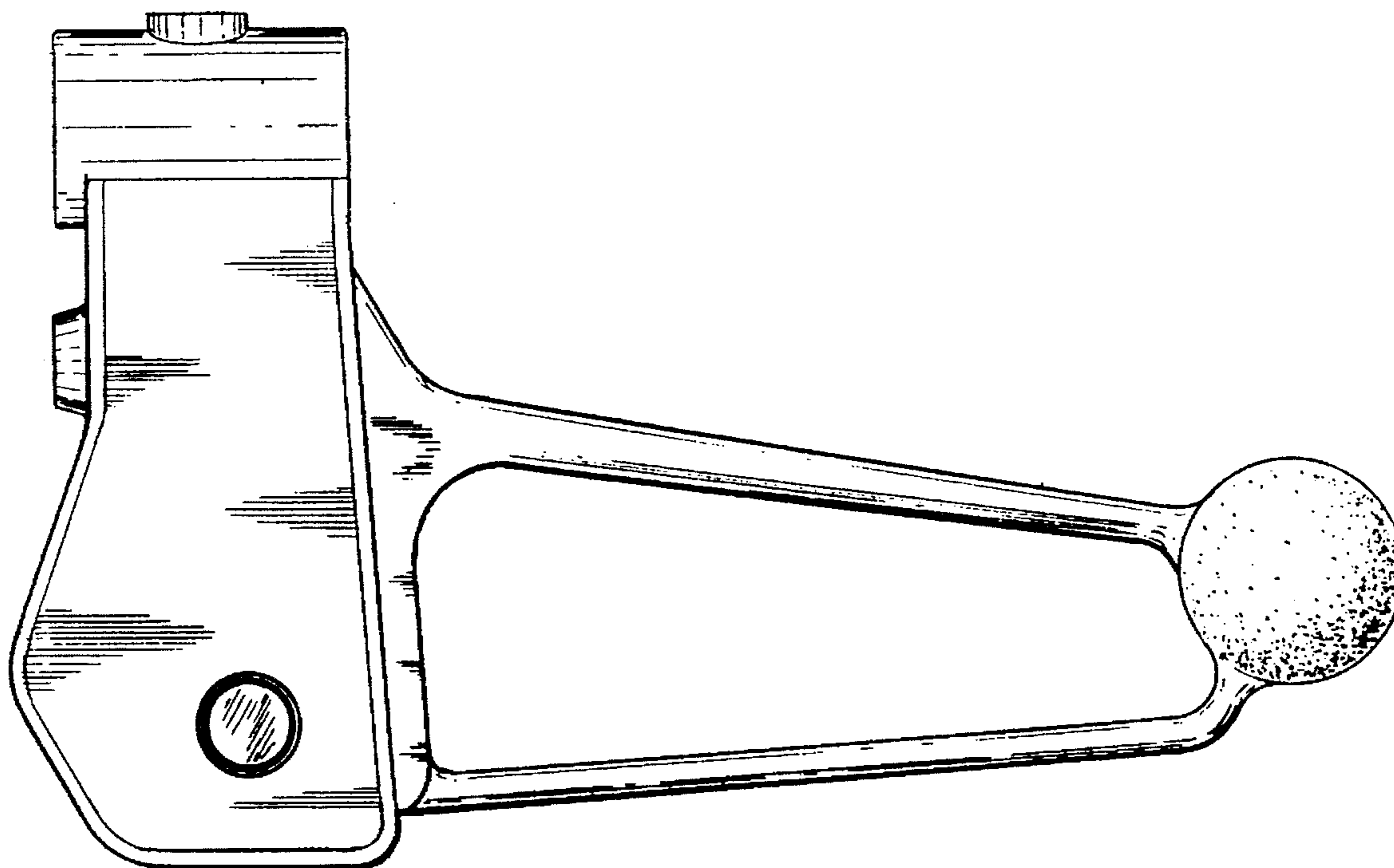
FIG. 4 is a front perspective view of the brake handle, and, FIG. 5 is a rear perspective view of the brake handle showing the opposite side to that in FIG. 4.

[56] **References Cited**

U.S. PATENT DOCUMENTS

D. 232,823	9/1974	Carlson et al.	D12/179
D. 246,971	1/1978	McKernon et al.	D12/179
2,077,569	4/1937	Kish	135/67 X
5,020,560	6/1991	Turbeville	135/67

1 Claim, 2 Drawing Sheets



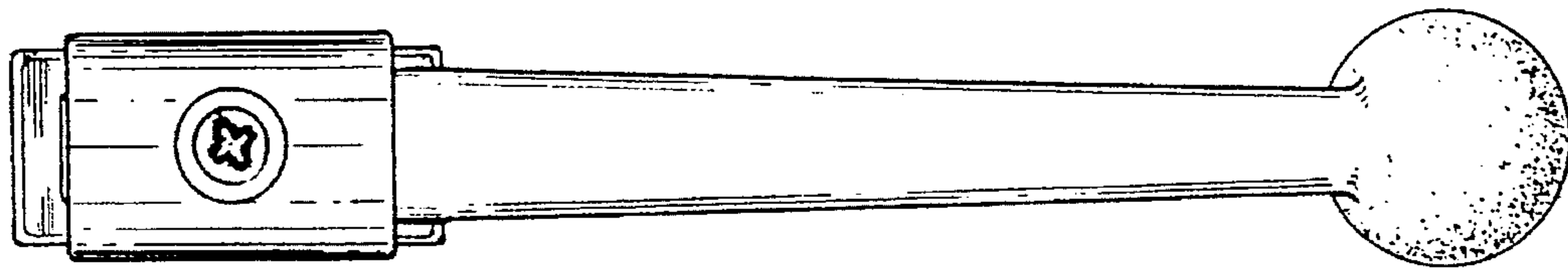


FIG. 1

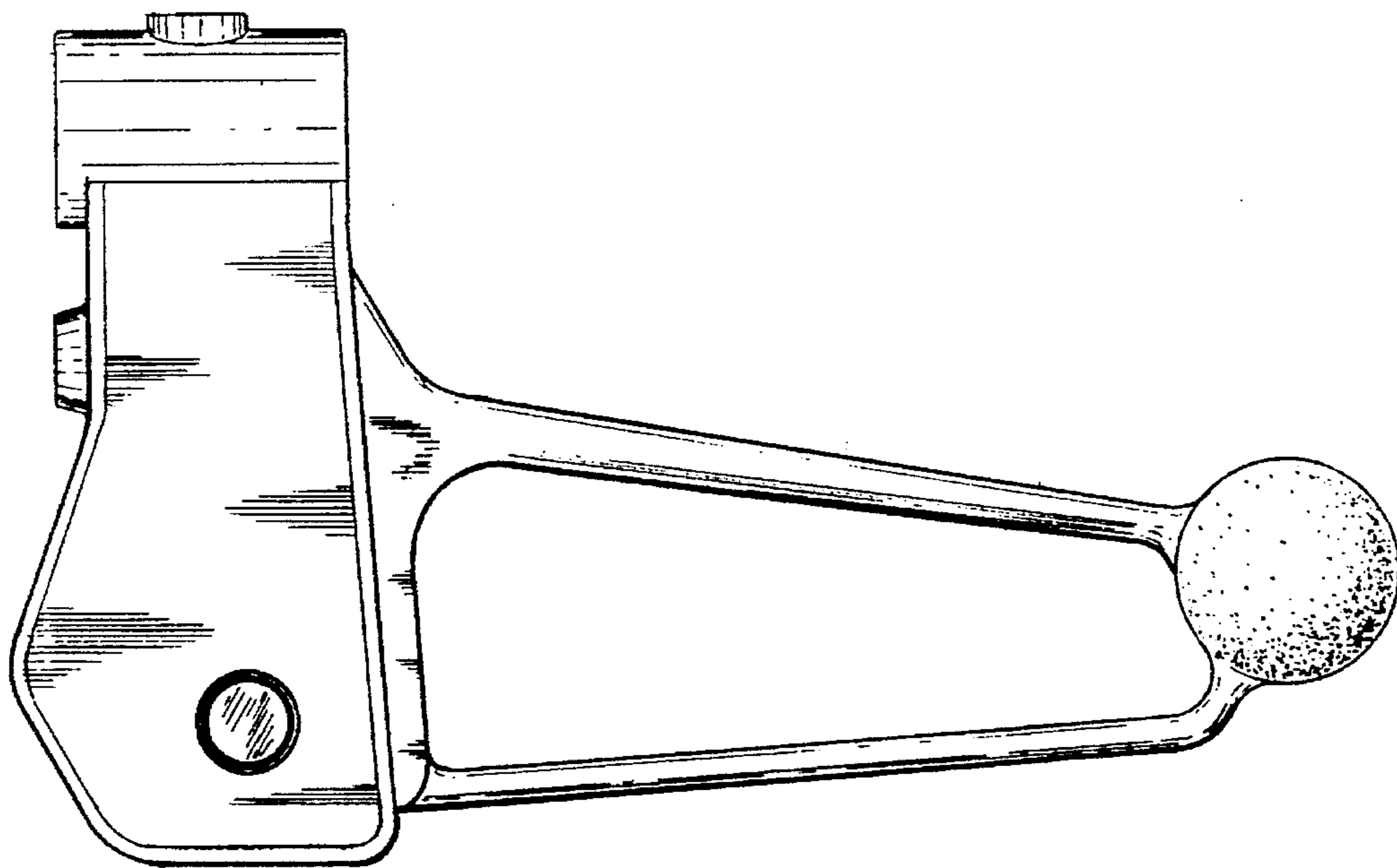


FIG. 2

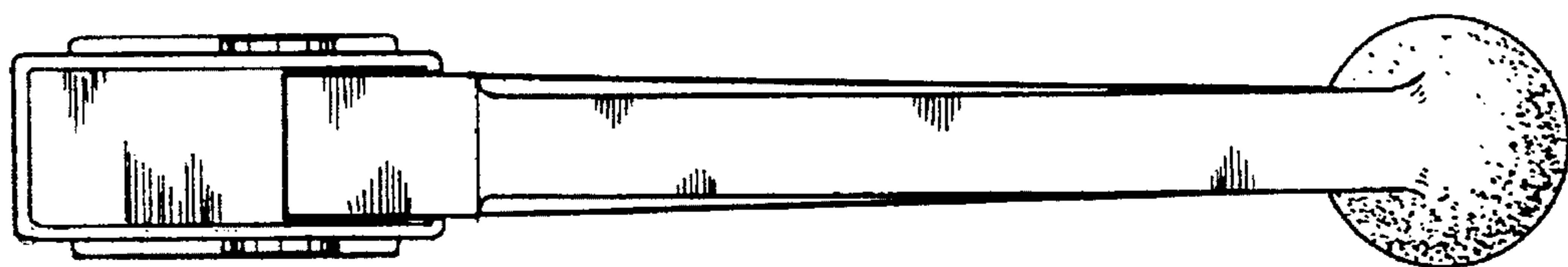


FIG. 3

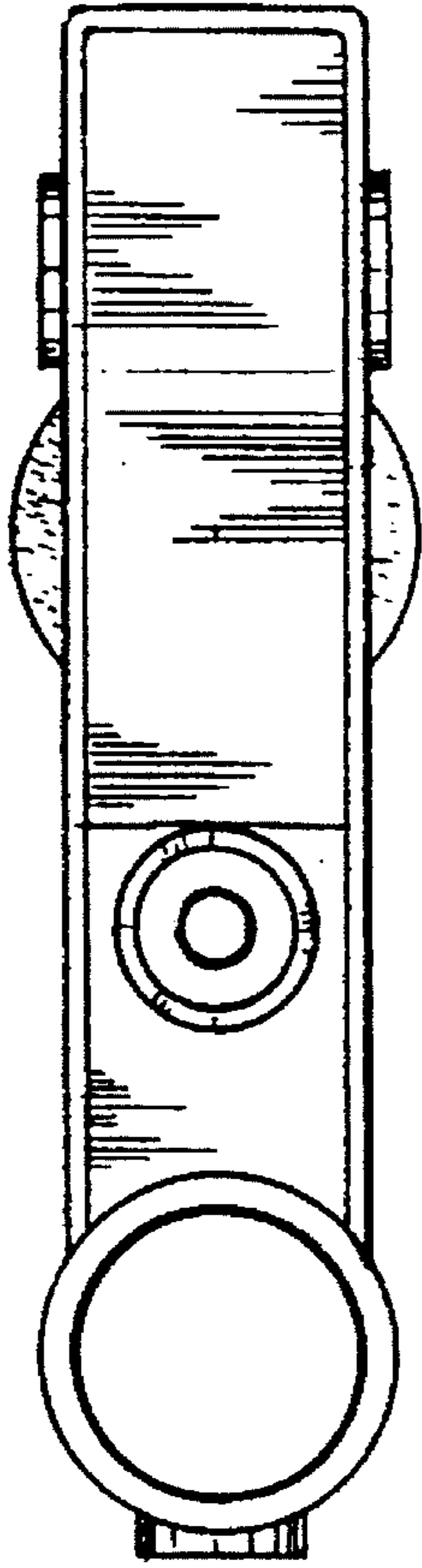


FIG. 4

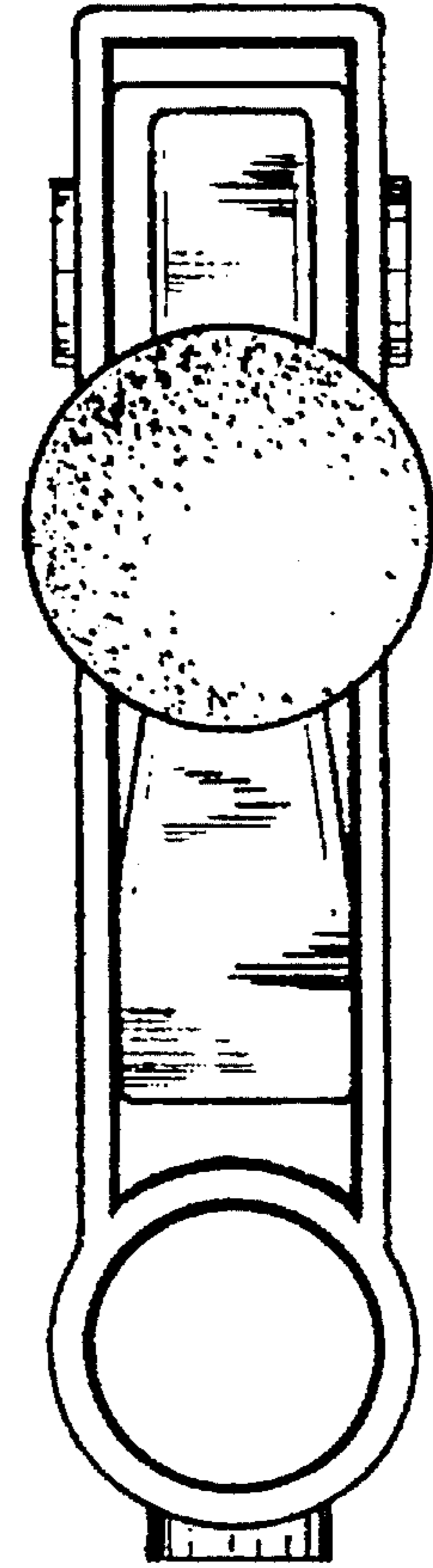


FIG. 5