



US00D365671S

United States Patent [19]

Eberman

[11] Patent Number: **Des. 365,671**

[45] Date of Patent: ****Jan. 2, 1996**

[54] **SIMULATED TURTLE BACK COSTUME**

D. 319,271 8/1991 Senitt D21/189
4,174,059 11/1979 Maunder D3/217

[76] Inventor: **Phyllis J. Eberman**, 421 Elaine Dr.,
Pittsburgh, Pa. 15236

OTHER PUBLICATIONS

[**] Term: **14 Years**

Earnshaw's: Mar. 1985; p. 40 Rabbit Backpack on left hand
side of page.

[21] Appl. No.: **25,251**

Playthings: vol. 86; Jan.-Apr., 1988; p. 43.

[22] Filed: **Jun. 28, 1994**

Brights Creek: Fall 1989 p. 45 (Teenage Mutant Ninja
Turtle™).

Related U.S. Application Data

Primary Examiner—Celia Murphy

[63] Continuation of Ser. No. 3,619, Jan. 11, 1993, abandoned.

[57] **CLAIM**

[52] U.S. Cl. **D2/741**; D3/216

The ornamental design for a simulated turtle back costume,
as shown and described.

[58] **Field of Search** D2/731, 734, 739,
D2/741, 745, 746, 824, 844, 853, 854,
862; D3/216, 220; D21/73, 74, 157, 177,
183; 2/75, 80, 90, 94, 102, 104, 106, 108,
115, 206, 244; 446/26, 28, 473; 450/31,
32

DESCRIPTION

[56] **References Cited**

FIG. 1 is a front elevational view of the simulated turtle back
costume showing my new design;
FIG. 2 is a rear elevational view thereof;
FIG. 3 is a left side elevational view thereof;
FIG. 4 is a right side elevational view thereof;
FIG. 5 is a top plan view thereof; and,
FIG. 6 is a bottom plan view thereof.

U.S. PATENT DOCUMENTS

D. 181,140 10/1957 Gould D21/157
D. 255,809 7/1980 Bretschager D21/74

1 Claim, 3 Drawing Sheets

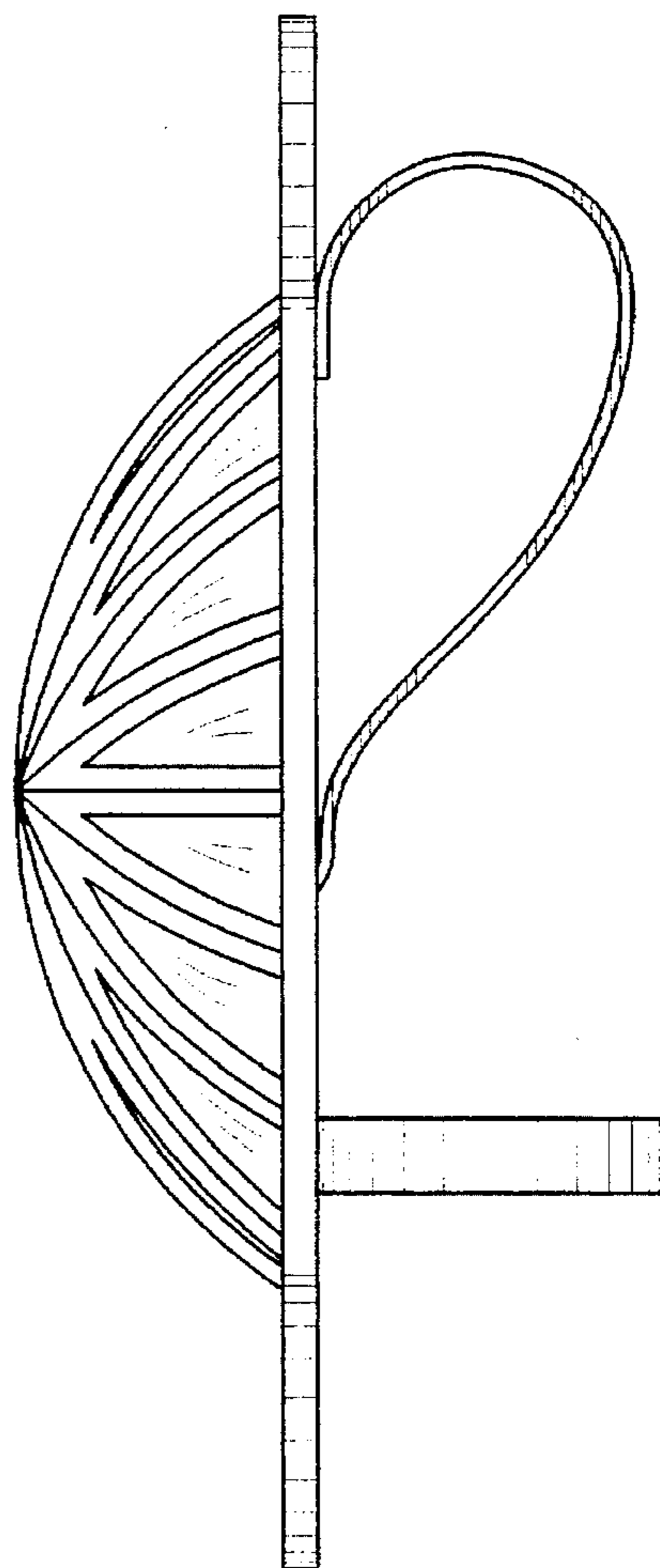
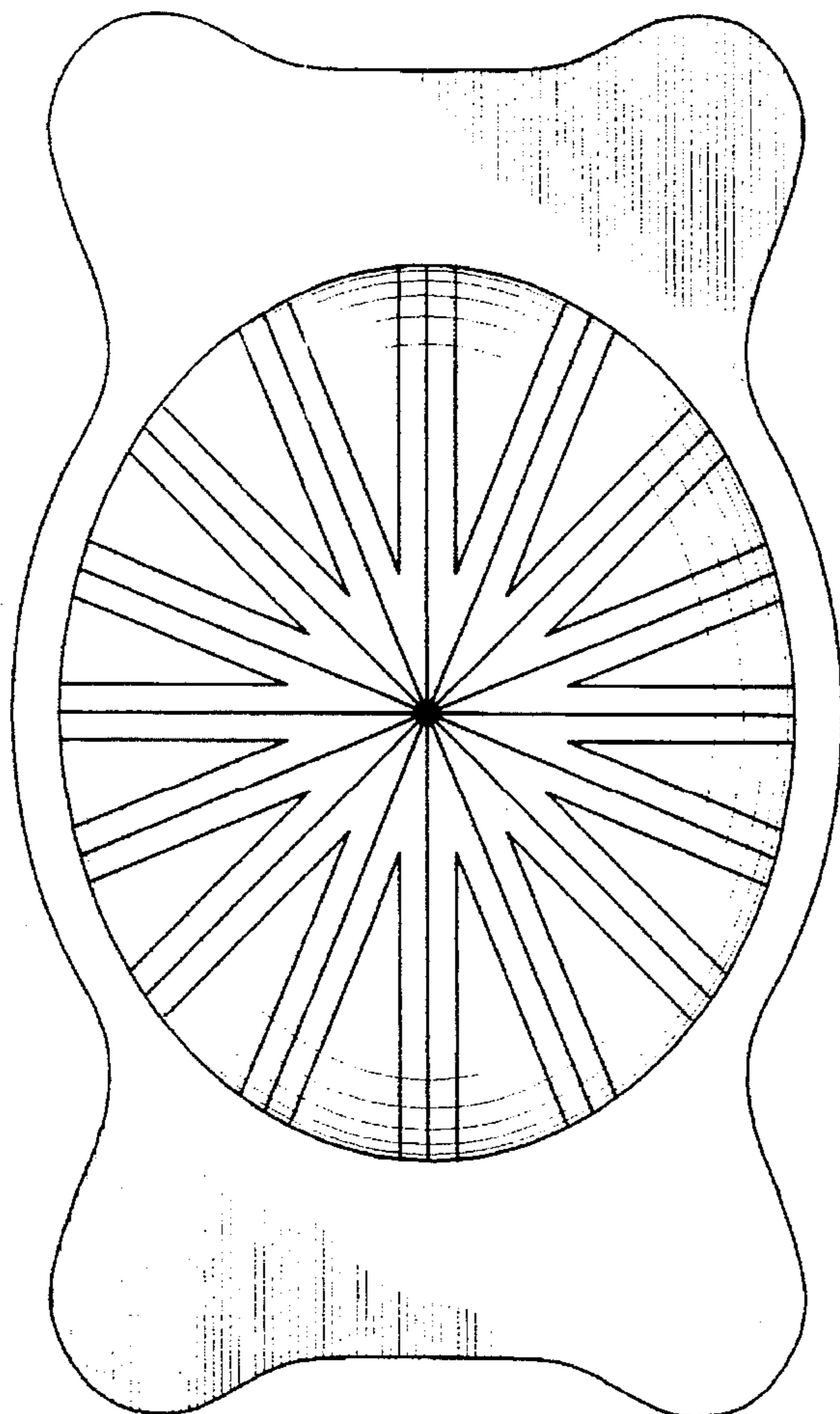


FIG. 1

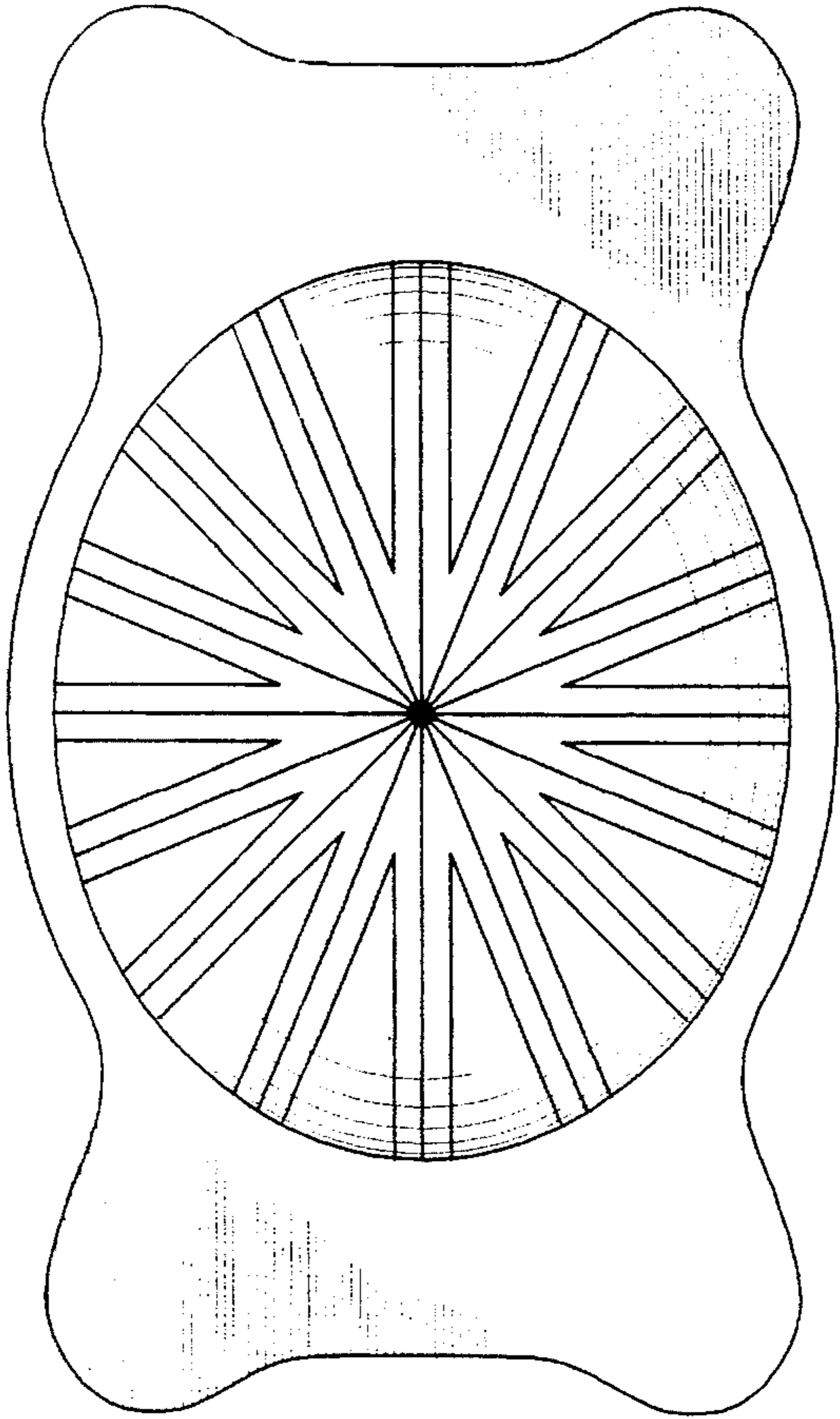


FIG. 2

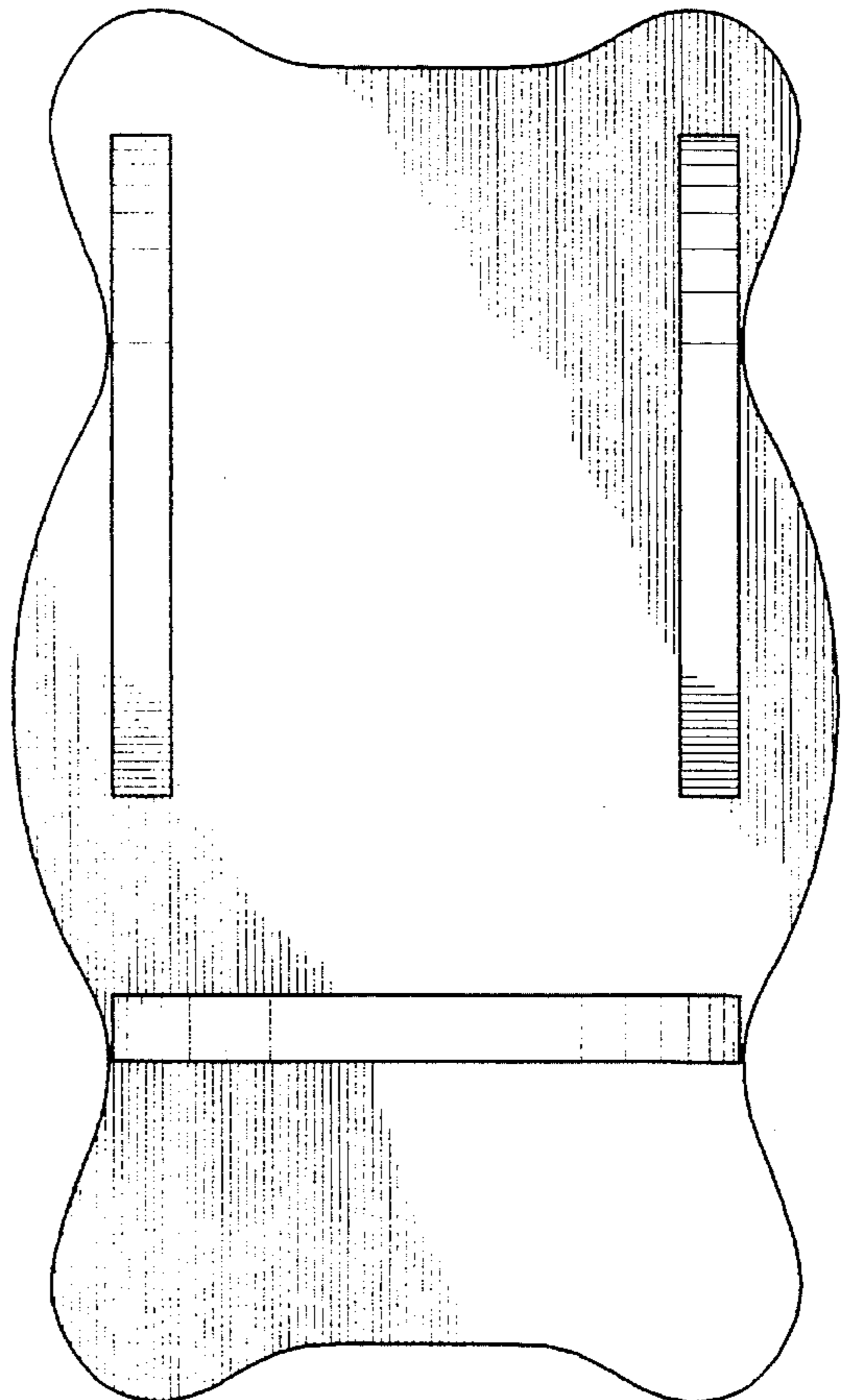


FIG. 3

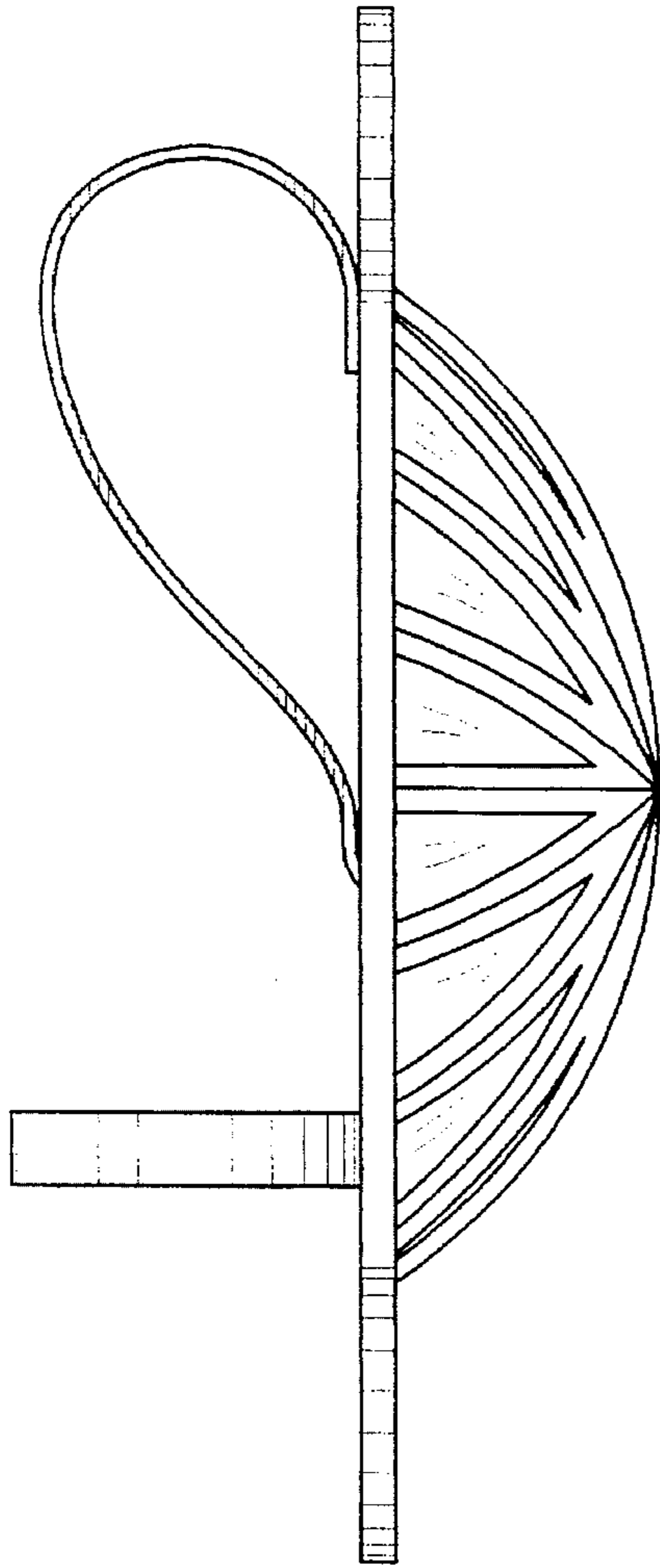


FIG. 4

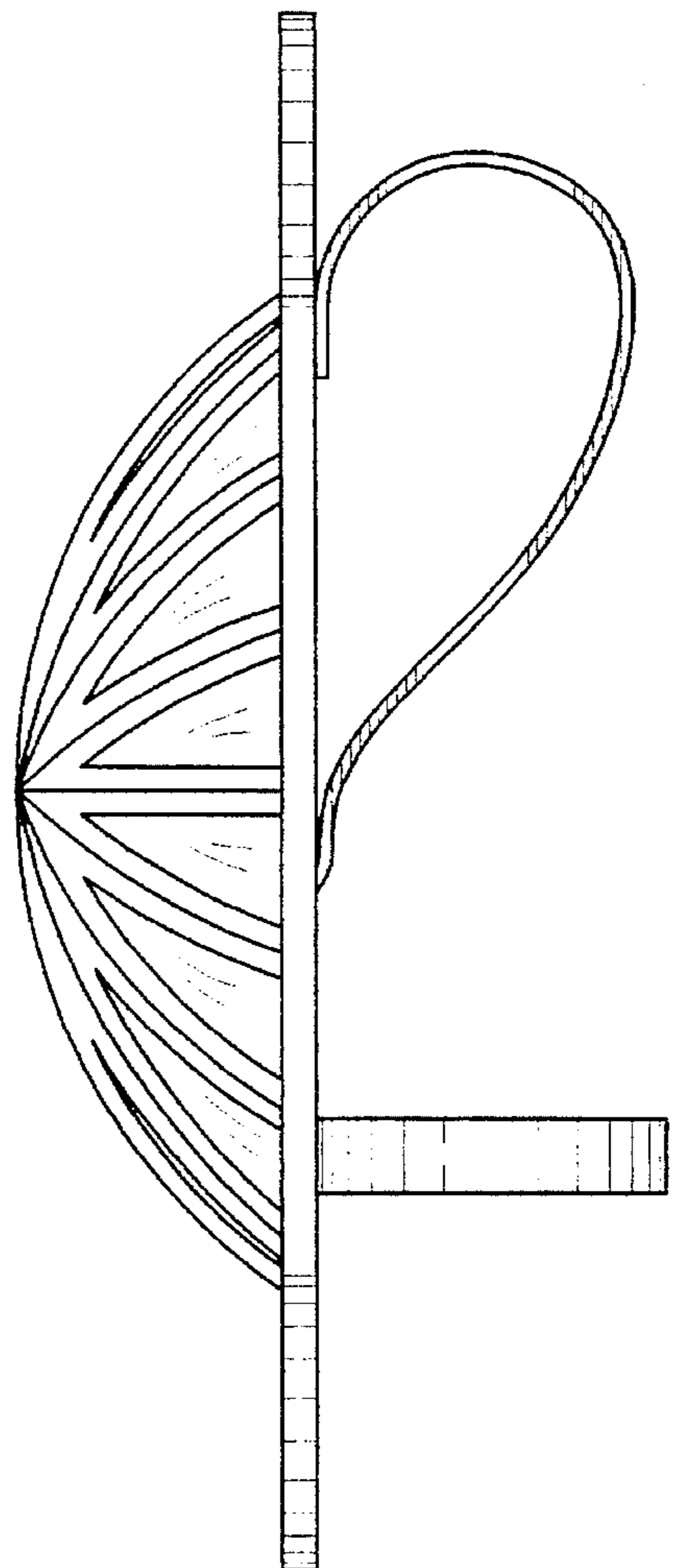


FIG. 5

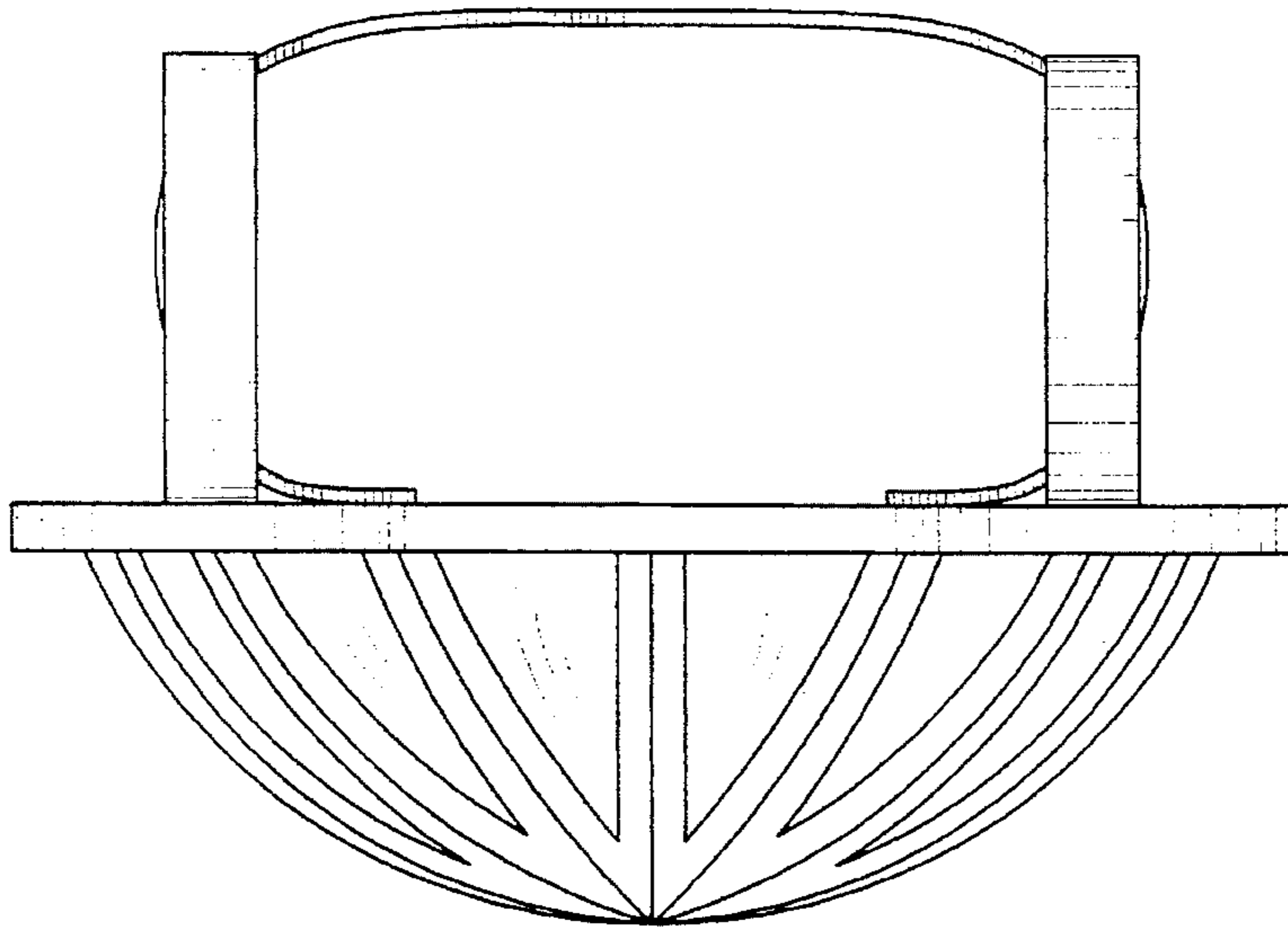


FIG. 6

