



US00D365668S

# United States Patent [19]

[11] Patent Number: **Des. 365,668**

Lorenzana et al.

[45] Date of Patent: **\*\*Dec. 26, 1995**

[54] **COMBINED ANIMAL FOOD DISH AND WATER DISPENSER**

*Primary Examiner*—Cathy Anne MacCormac  
*Attorney, Agent, or Firm*—Neil M. Rose

[76] Inventors: **Moises B. Lorenzana**, 601 Lake Hinsdale Dr., Willowbrook, Ill. 60514;  
**Vance A. Lorenzana**, 73 Chippewa Dr., Oswego, Ill. 60543

[57] **CLAIM**

The ornamental design for a combined animal food dish and water dispenser, as shown and described.

[\*\*] Term: **14 Years**

**DESCRIPTION**

[21] Appl. No.: **31,300**

FIG. 1 is a perspective view of an animal food dish and water dispenser showing our new design;

[22] Filed: **Nov. 21, 1994**

FIG. 2 is a top plan view of the dish and water dispenser of FIG. 1;

[52] U.S. Cl. .... **D30/130**

[58] Field of Search ..... 119/51.5, 61, 77;  
D30/121, 129, 130, 122, 131-133

FIG. 3 is a front elevational view of the dish and water dispenser of FIG. 1, the rear is a mirror image of the front view shown;

[56] **References Cited**

**U.S. PATENT DOCUMENTS**

|            |         |                       |          |
|------------|---------|-----------------------|----------|
| D. 251,392 | 3/1979  | Futers et al. .       |          |
| D. 294,750 | 3/1988  | Atchley .....         | D30/132  |
| D. 316,382 | 4/1991  | Lorenzana et al. .... | D30/132  |
| D. 335,197 | 4/1993  | Strickland .....      | D30/132  |
| D. 350,842 | 9/1994  | VanSkiver .....       | D30/121  |
| 4,573,434  | 3/1986  | Gardner .....         | 119/77   |
| 5,207,182  | 5/1993  | Lorenzana .....       | 119/77   |
| 5,259,336  | 11/1993 | Clark .....           | 119/51.5 |

FIG. 4 is a right end elevational view of the dish and water dispenser of FIGS. 1-3;

FIG. 5 is a left end elevational view of the dish and water dispenser of FIGS. 1-4;

FIG. 6 is a sectional view taken on line 6-6 of FIG. 2;

FIG. 7 is a sectional view taken on line 7-7 of FIG. 2; and

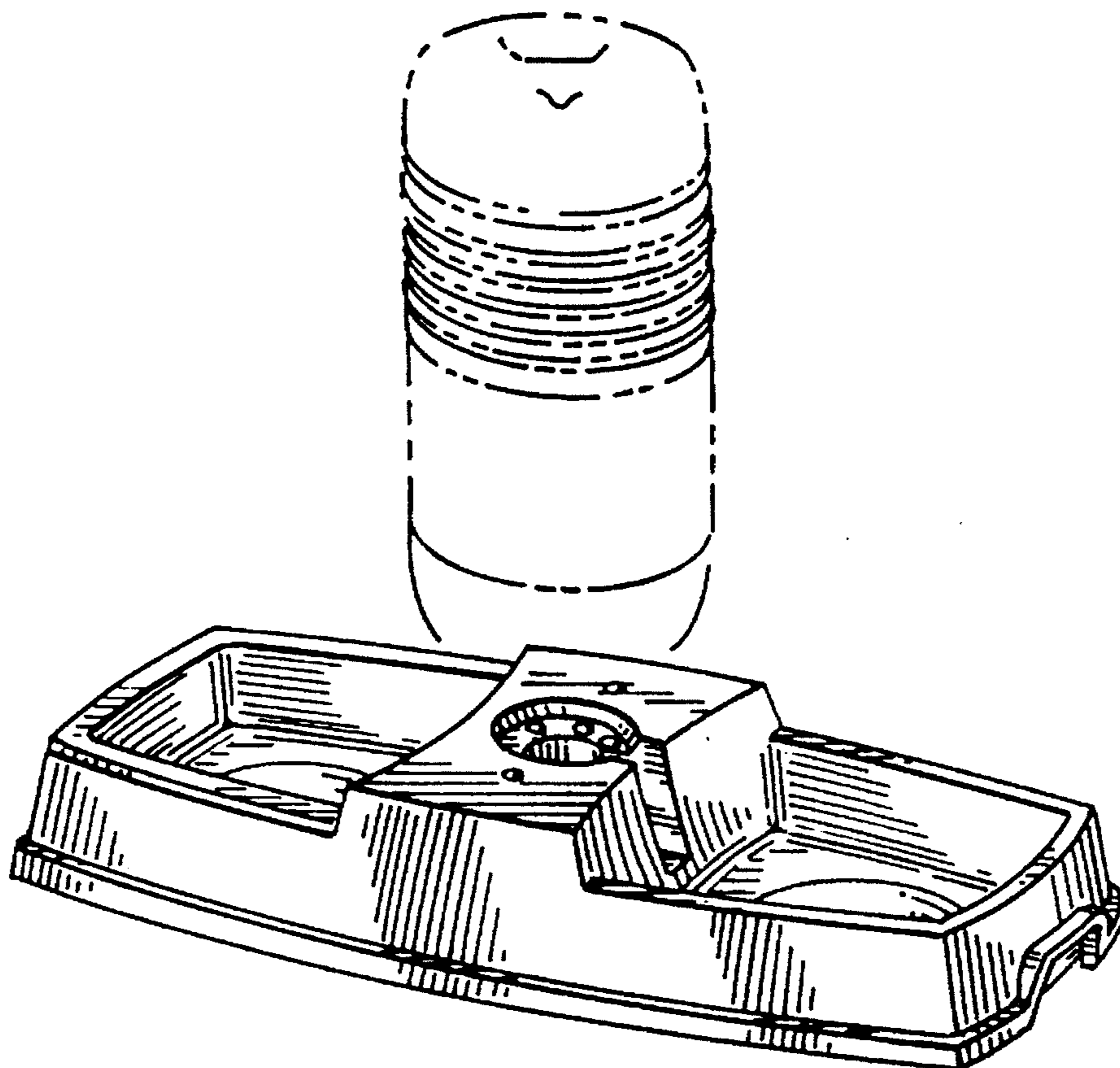
FIG. 8 is a sectional view taken on line 8-8 of FIG. 2.

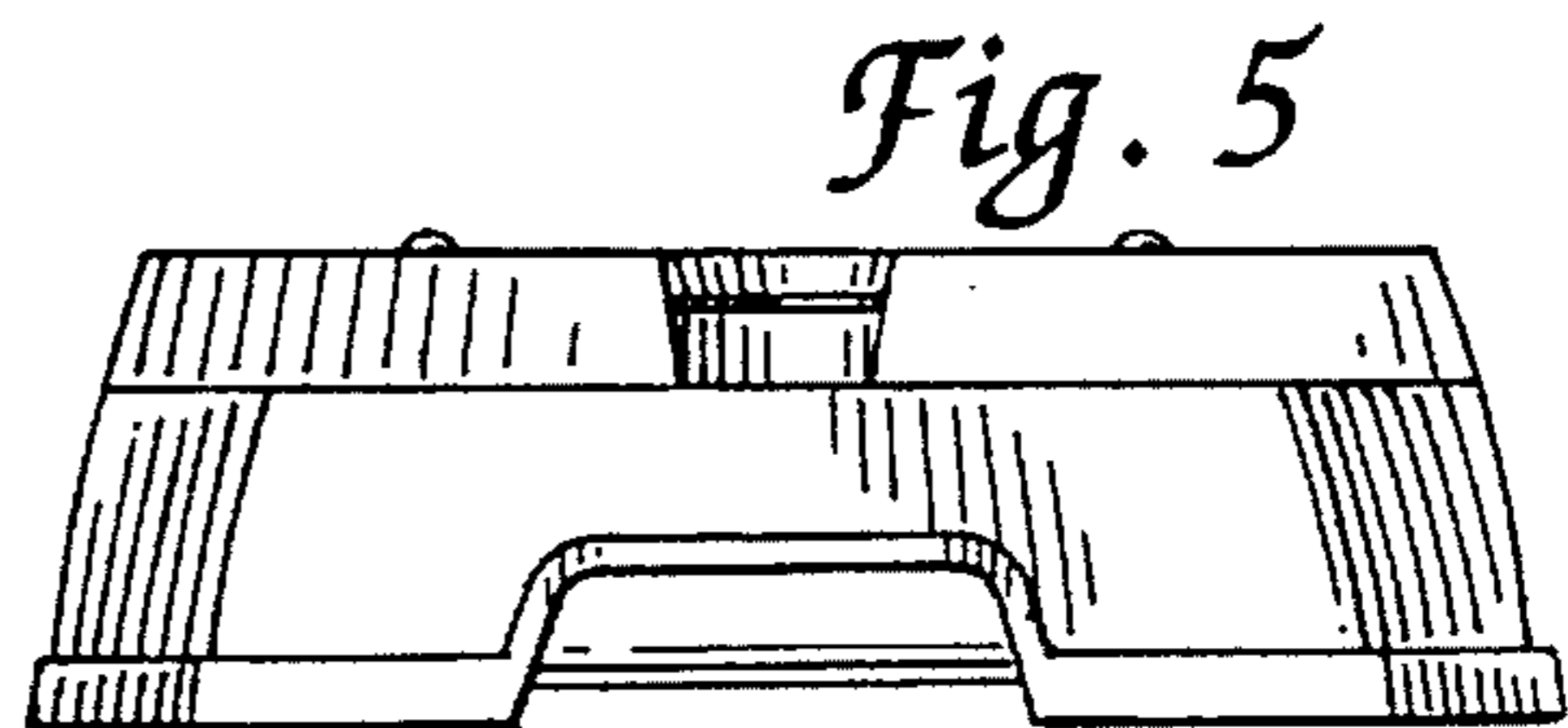
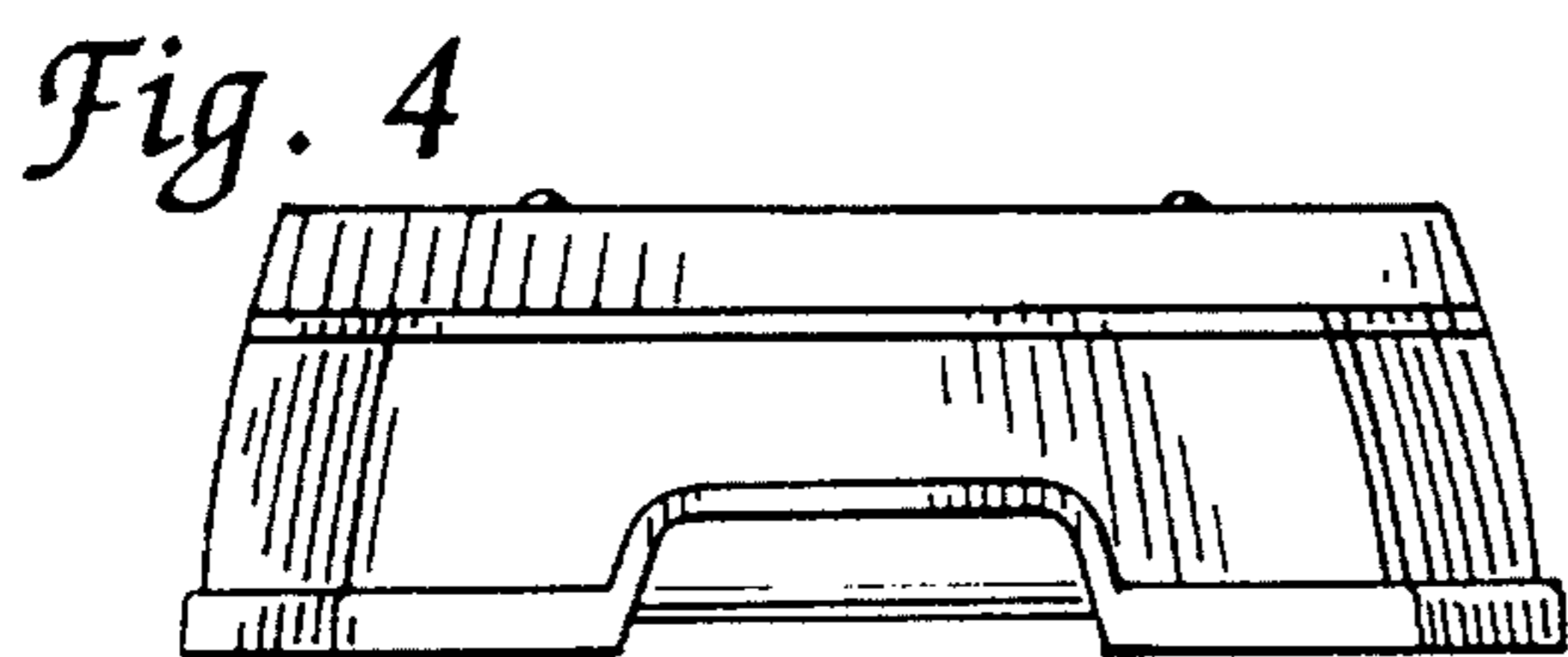
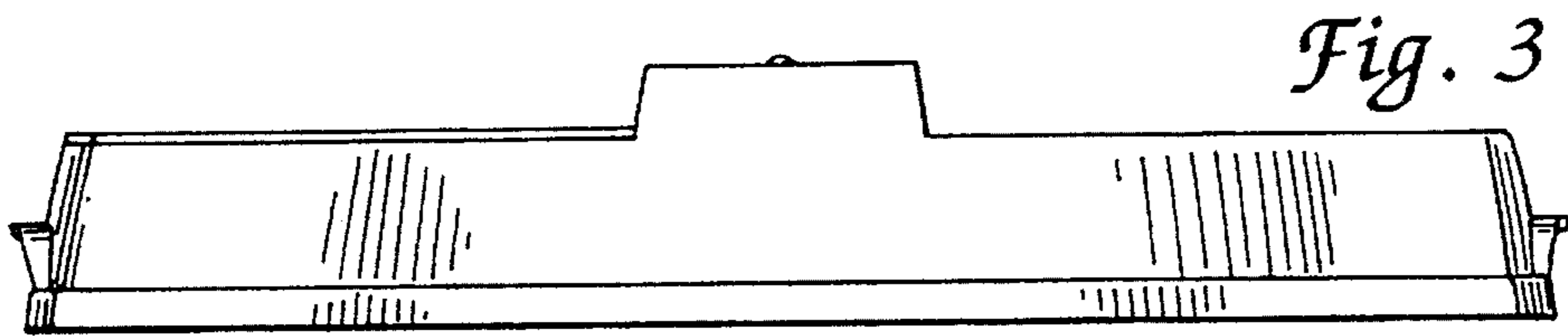
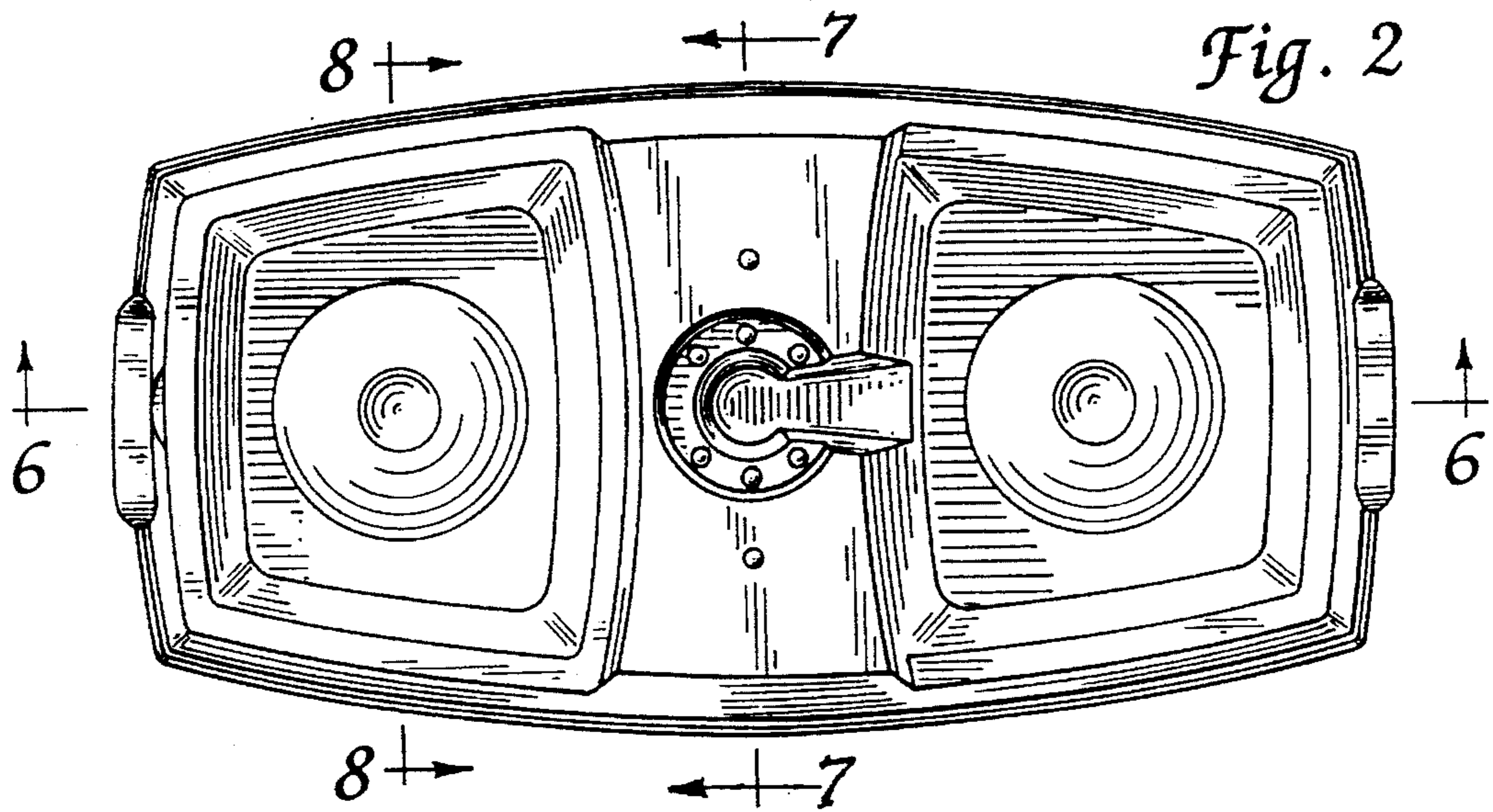
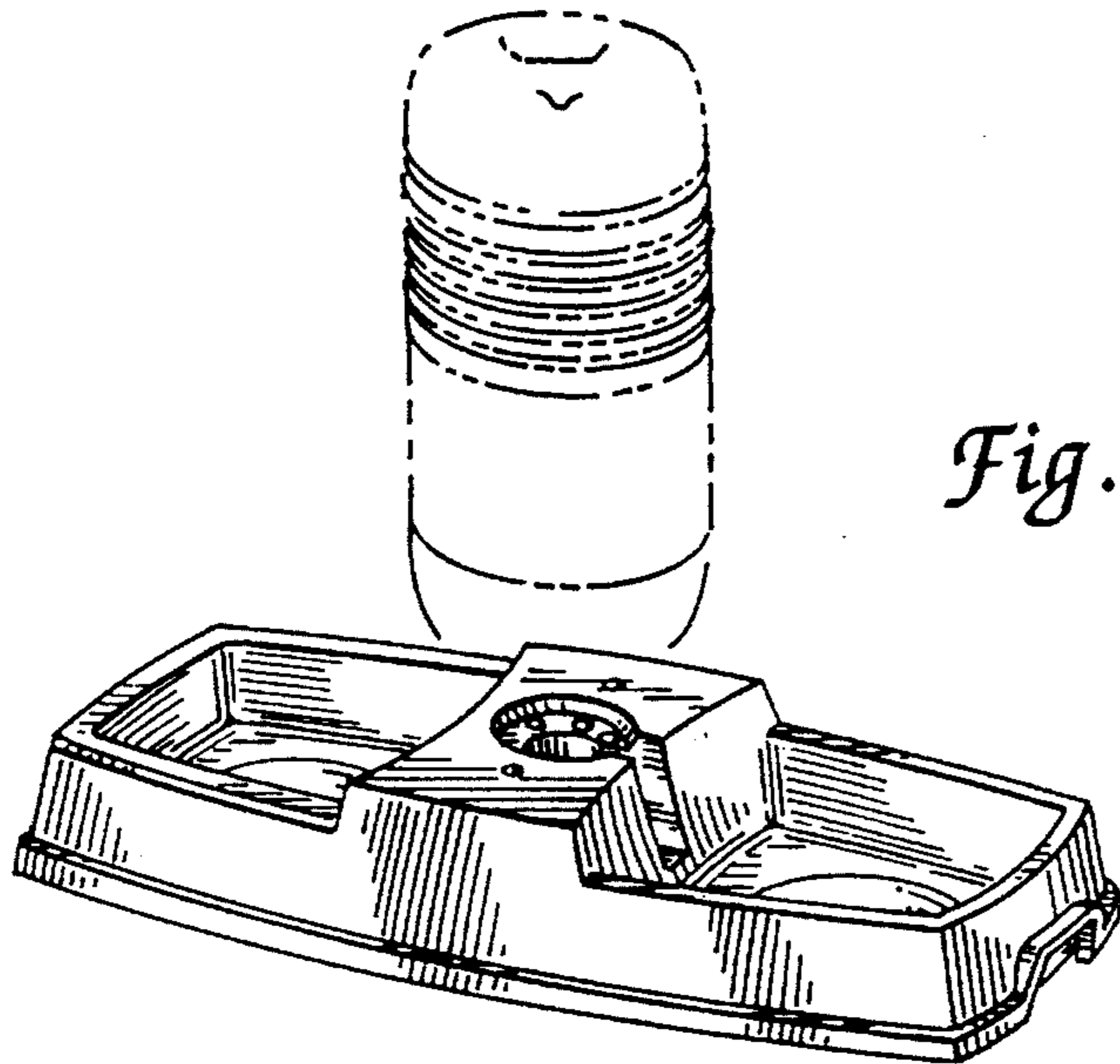
The broken lines in FIG. 1 are for purposes of illustration only and form no part of the claimed design.

**FOREIGN PATENT DOCUMENTS**

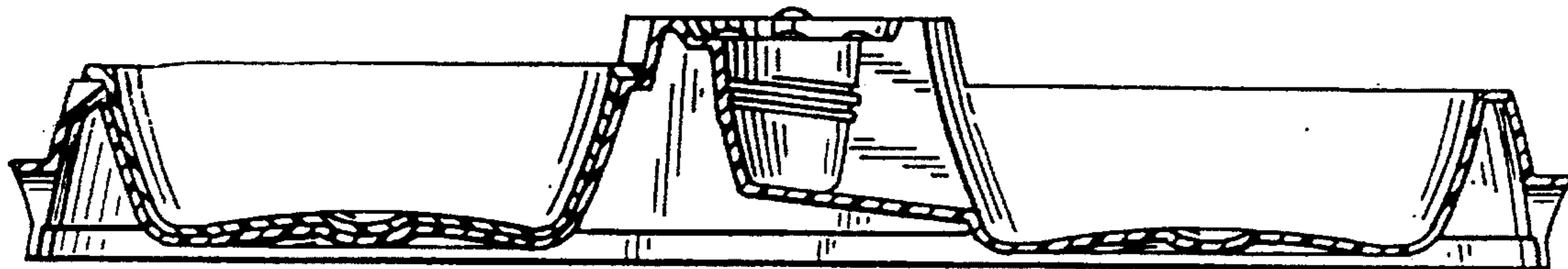
|         |        |                      |        |
|---------|--------|----------------------|--------|
| 2241633 | 9/1991 | United Kingdom ..... | 119/77 |
|---------|--------|----------------------|--------|

**1 Claim, 2 Drawing Sheets**

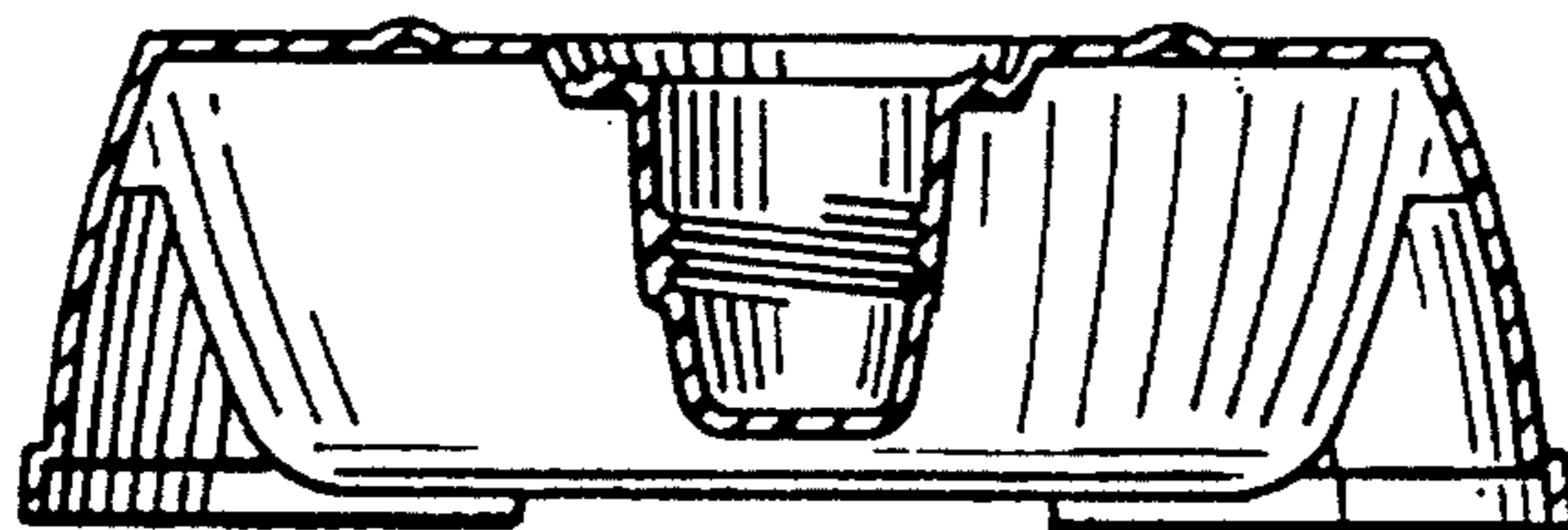




*Fig. 6*



*Fig. 7*



*Fig. 8*

