



US00D365666S

United States Patent [19] Gumpp

[11] Patent Number: **Des. 365,666**

[45] Date of Patent: ****Dec. 26, 1995**

[54] **WELDING HELMET**

[75] Inventor: **Rudolf Gumpp**, Sachsenried, Germany

[73] Assignee: **Optrel AG**, Wattwil, Switzerland

[**] Term: **14 Years**

[21] Appl. No.: **5,950**

[22] Filed: **Mar. 18, 1993**

[52] U.S. Cl. **D29/110**

[58] Field of Search D29/8, 9, 6, 7;
2/8, 9

[56] **References Cited**

U.S. PATENT DOCUMENTS

D. 310,276	8/1990	Fuerthbauer et al.	D29/8
4,373,212	2/1983	West	2/8
5,302,815	4/1994	Eggenschwiler	2/8

Primary Examiner—Kay H. Chin
Attorney, Agent, or Firm—Tarolli, Sundheim & Covell

[57] **CLAIM**

The ornamental design for welding helmet, as shown.

DESCRIPTION

FIG. 1 is a front perspective view of a welding helmet of my new design;

FIG. 2 is a rear perspective view of the welding helmet of FIG. 1;

FIG. 3 is a left (as viewed in FIG. 1) side elevational view;

FIG. 4 is a right (as viewed in FIG. 1) side elevational view;

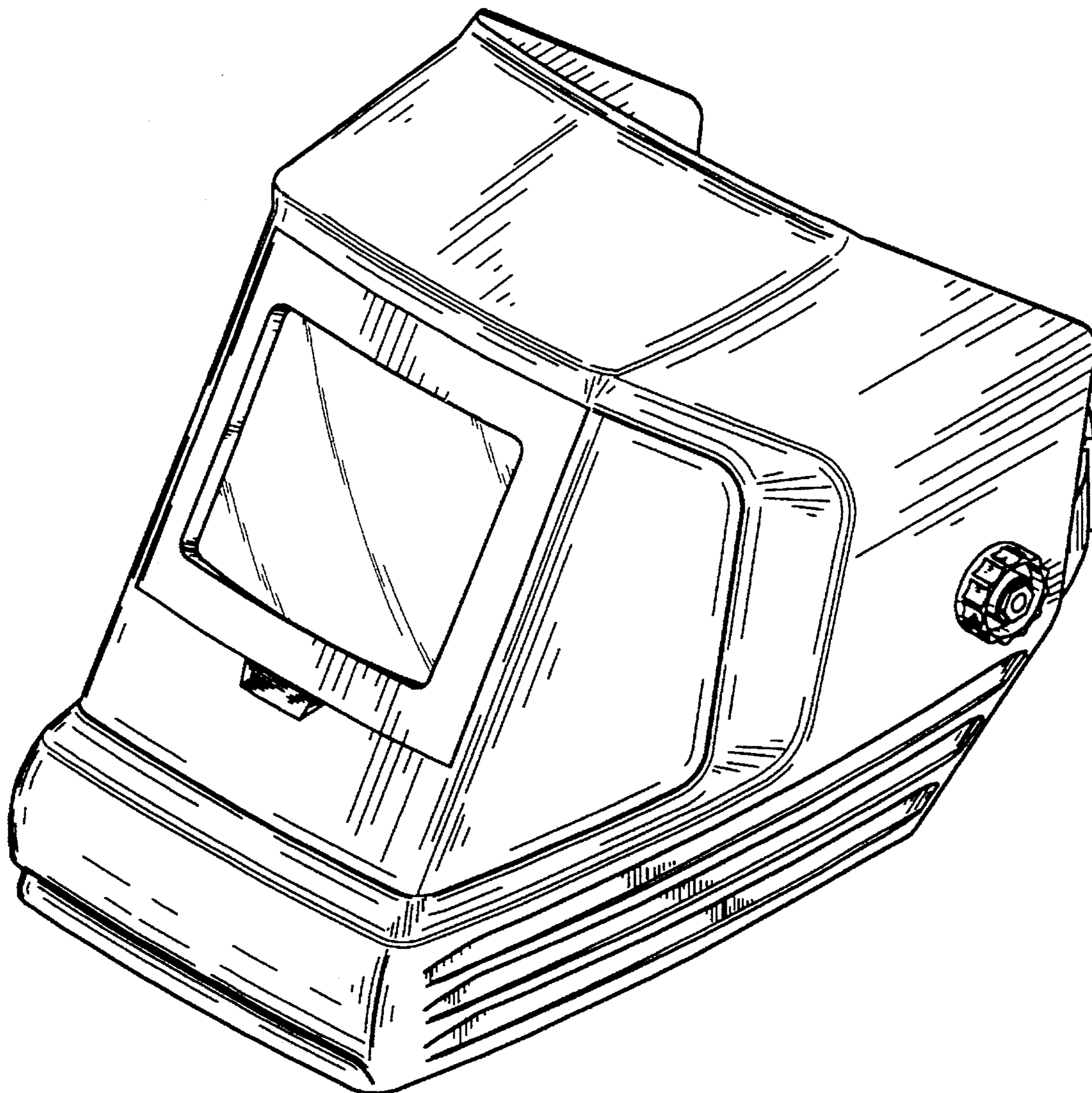
FIG. 5 is a front elevational view of the welding helmet of FIG. 1;

FIG. 6 is a rear elevational view of the welding helmet of FIG. 1;

FIG. 7 is a top plan view of the welding helmet of FIG. 1;

FIG. 8 is a bottom plan view of the welding helmet of FIG. 1;

1 Claim, 4 Drawing Sheets



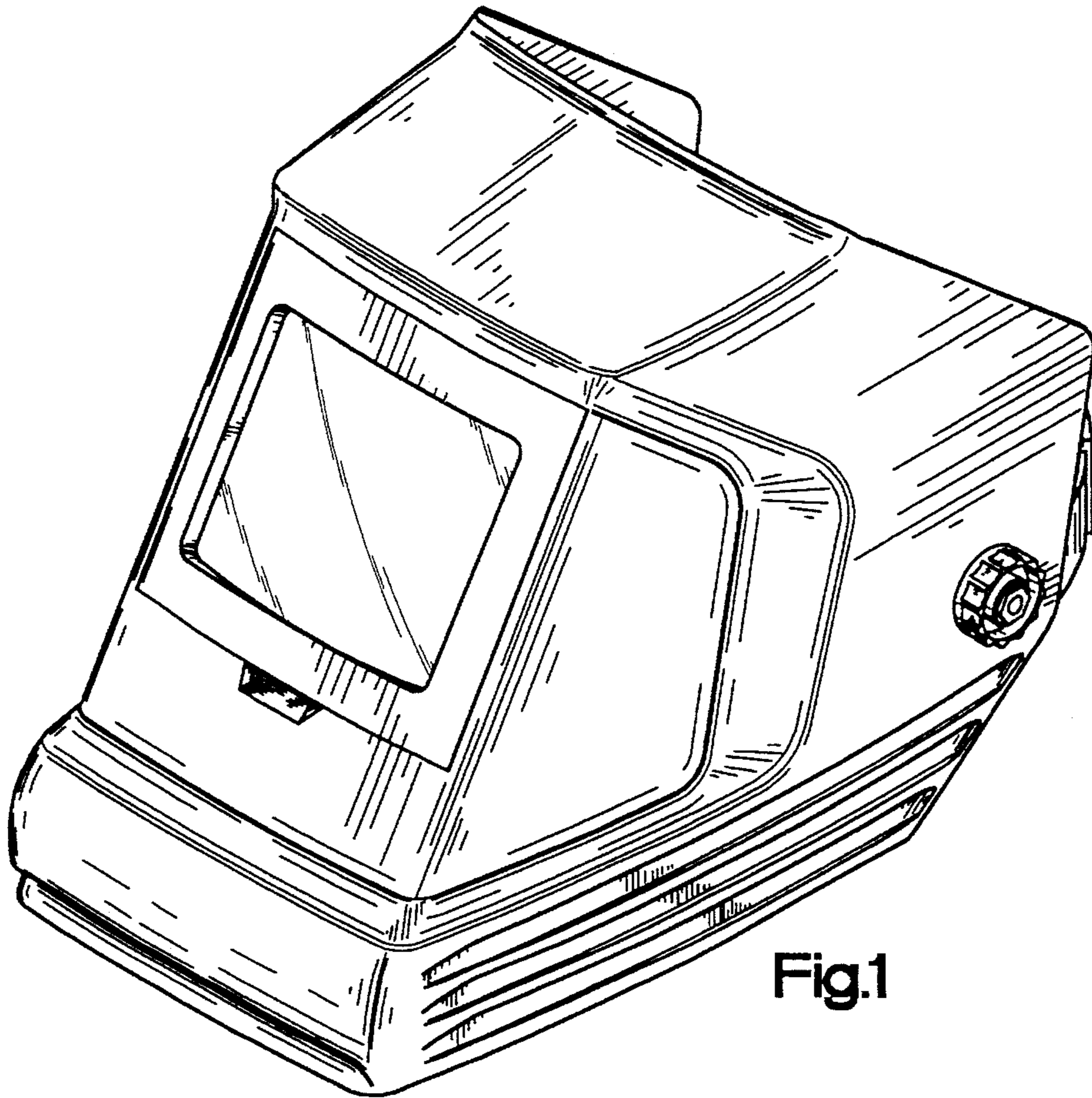


Fig.1

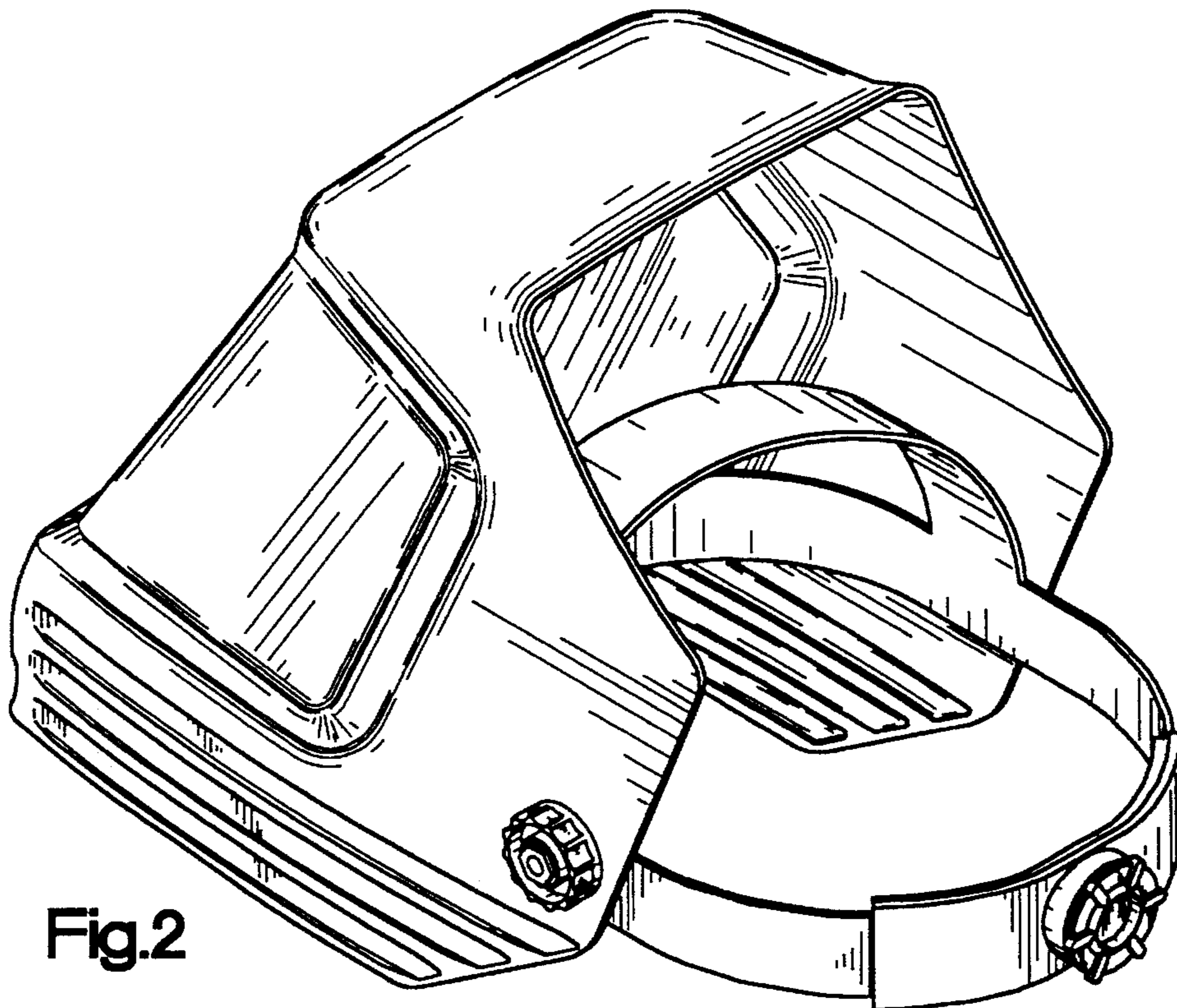


Fig.2

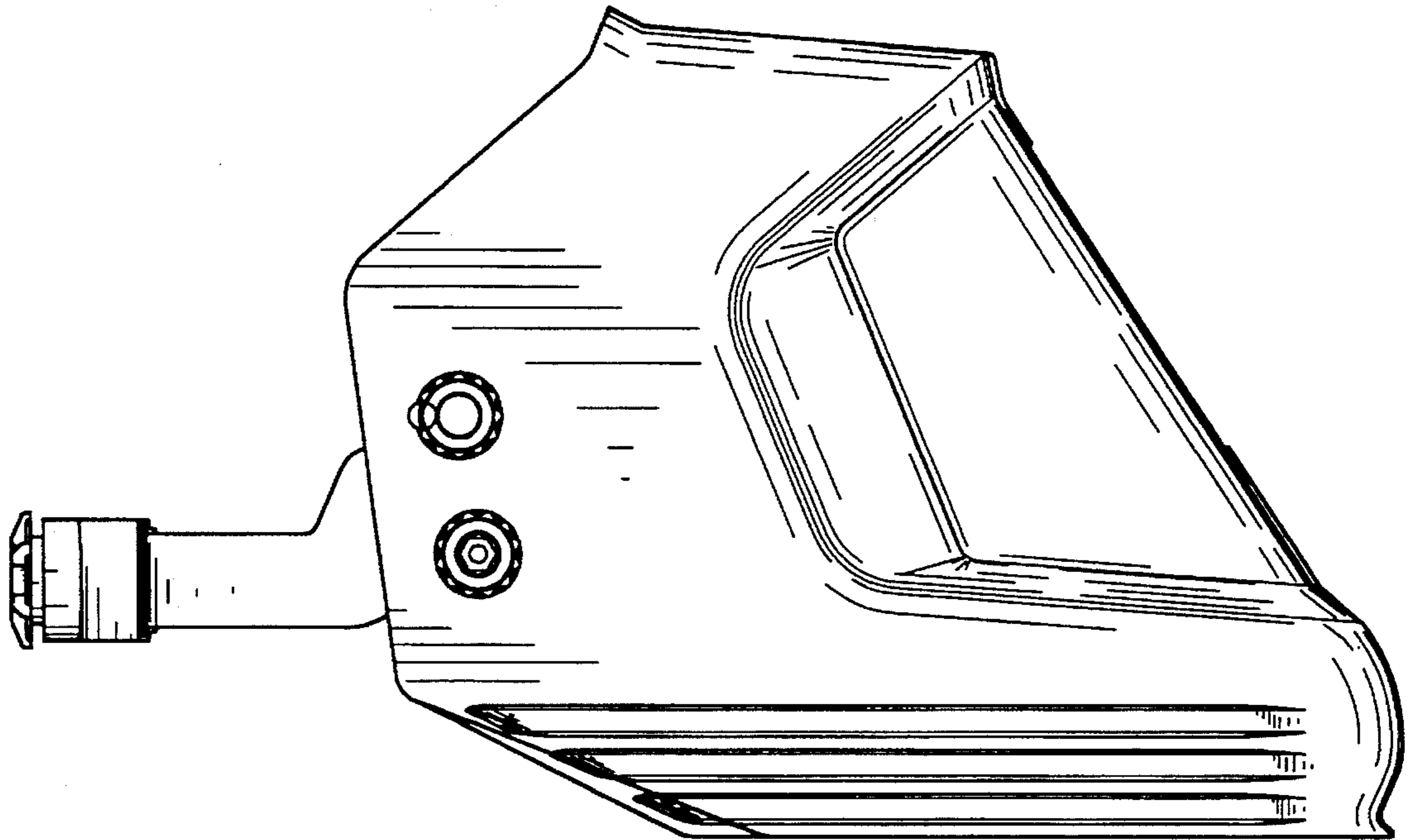


Fig.3

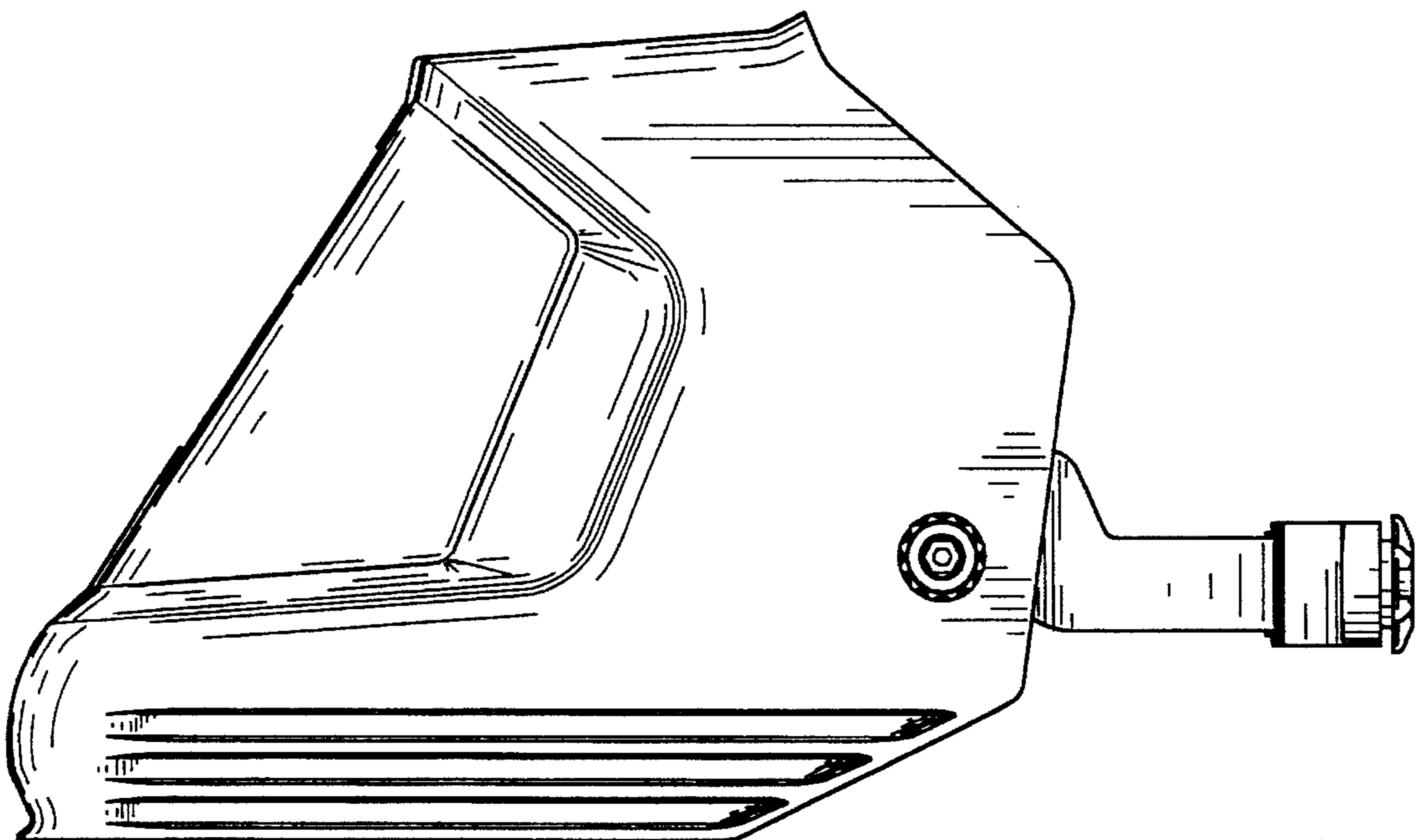


Fig.4

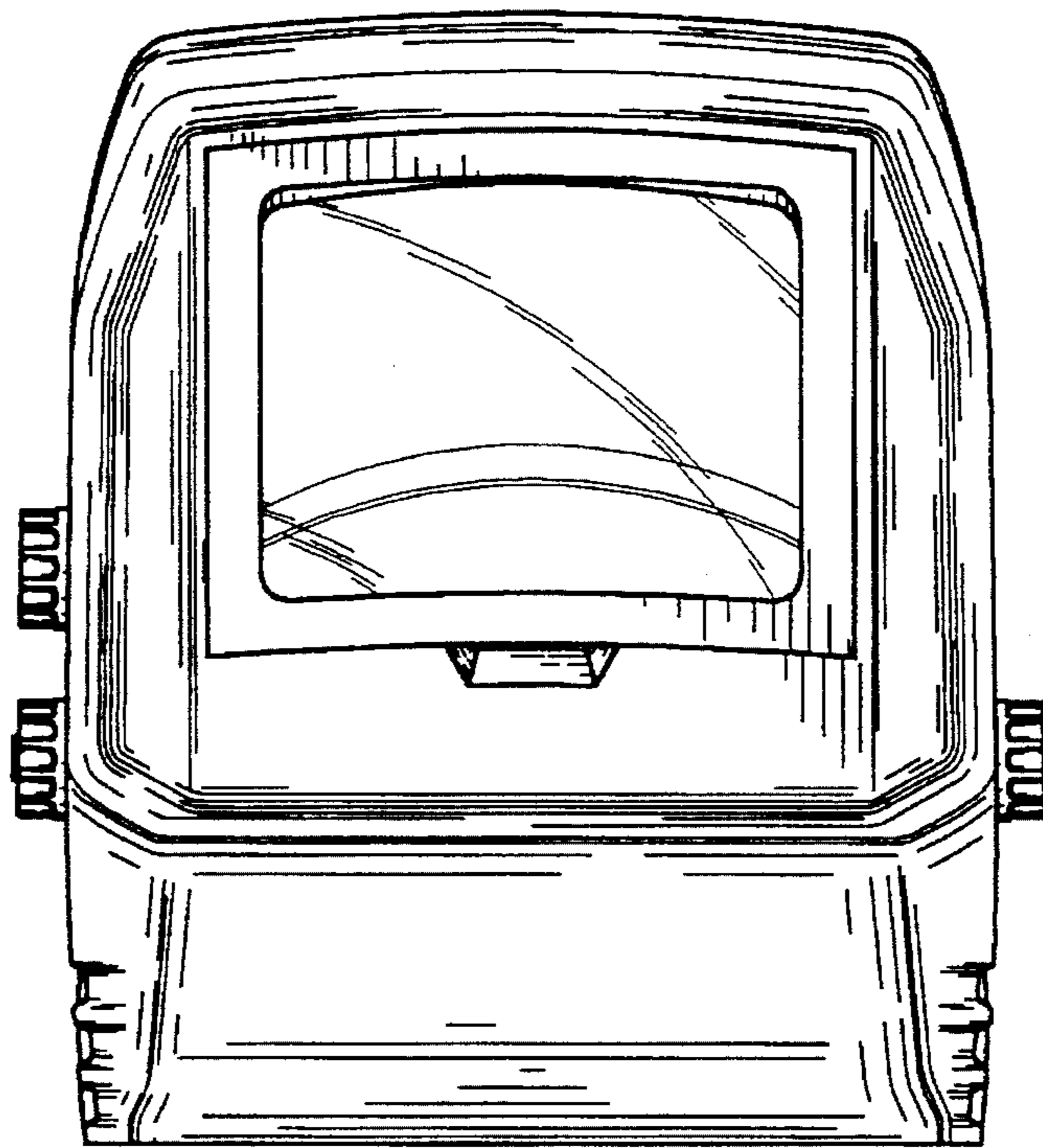


Fig.5

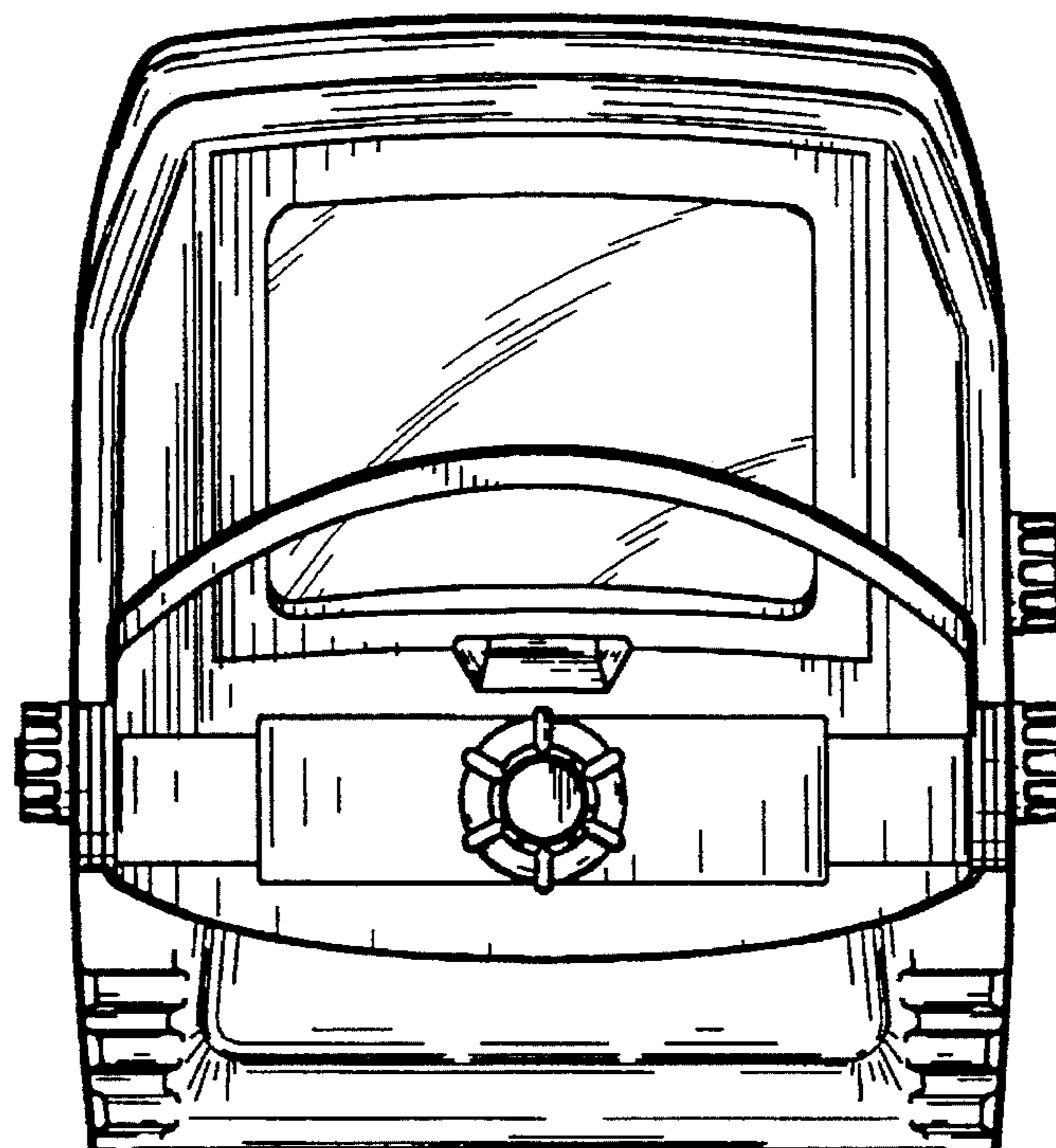


Fig.6

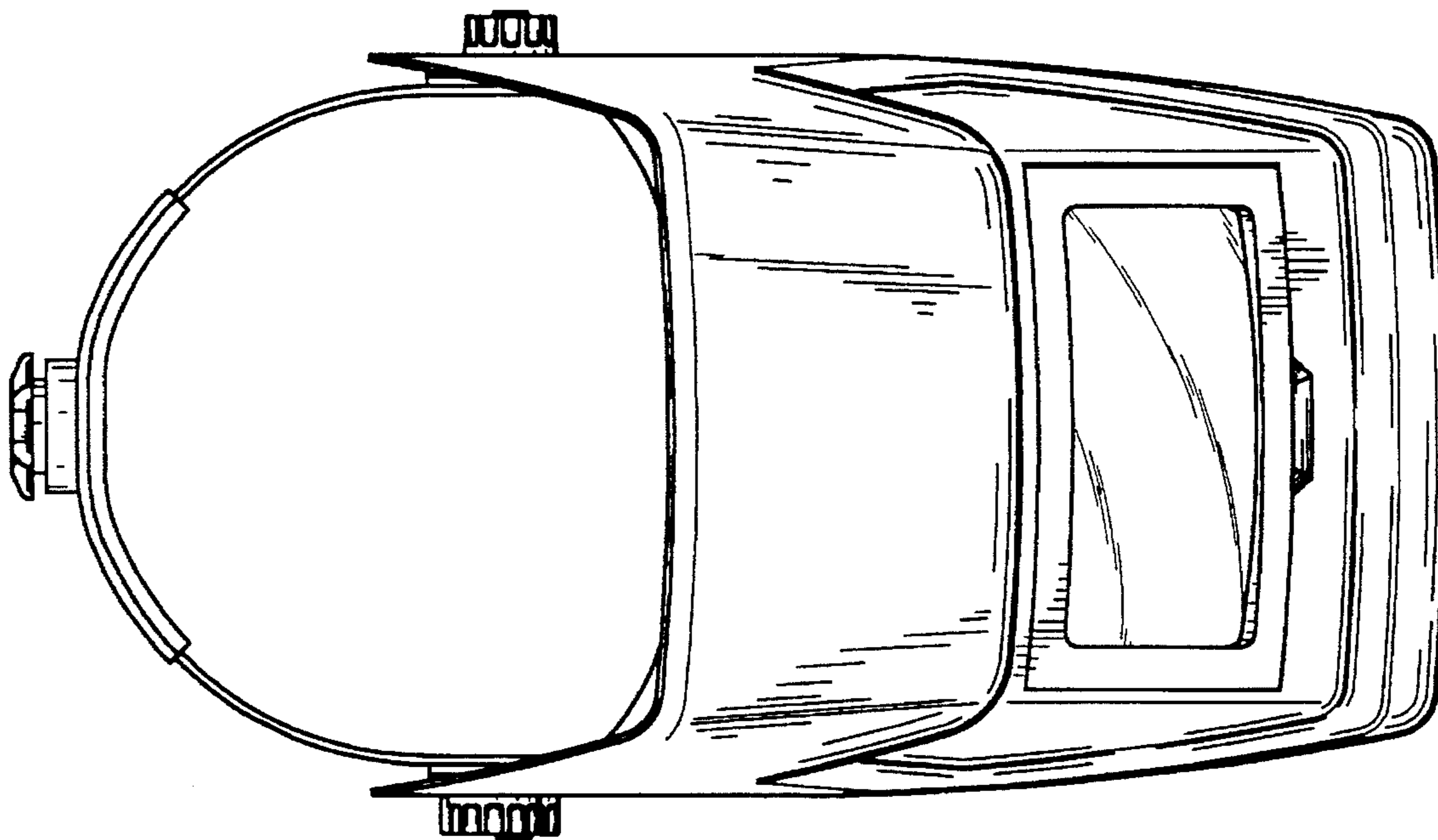


Fig.7

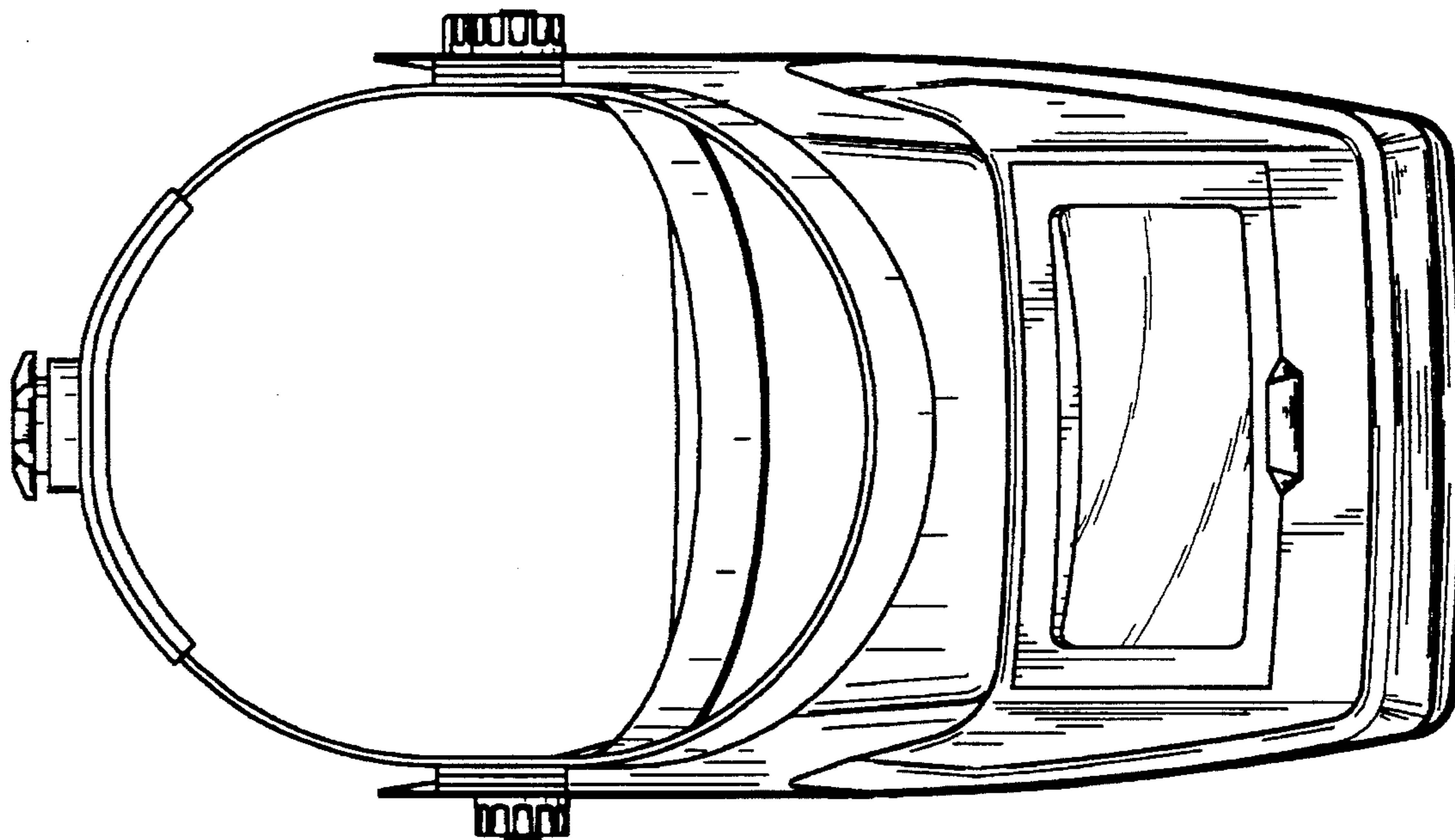


Fig.8