



US00D365664S

United States Patent [19] Chen

[11] Patent Number: **Des. 365,664**

[45] Date of Patent: ****Dec. 26, 1995**

[54] **LIPSTICK CASE**

[75] Inventor: **Hsi-Chi Chen**, Changhua, Taiwan

[73] Assignee: **Chuan Hsiang Tang Chemical Co., Ltd.**, Changhua, Taiwan

[**] Term: **14 Years**

[21] Appl. No.: **26,495**

[22] Filed: **Jul. 29, 1994**

[52] U.S. Cl. **D28/87; D21/162; D11/158**

[58] Field of Search **D28/85-90, 80; D9/307, 310, 316, 318, 338; D11/157, 158; D21/162; D3/271; 132/317, 318; 206/385, 581, 457; D7/595, 599**

[56] **References Cited**

U.S. PATENT DOCUMENTS

D. 97,824	12/1935	Ross	D9/318
D. 141,455	6/1945	Bauer	D7/595
D. 187,435	3/1960	Becker	D9/318
D. 216,516	1/1970	Winton	D21/162

D. 282,092	1/1986	Adams	D21/162
D. 284,656	7/1986	Lee	D9/318 X
D. 353,689	12/1994	Yang	D28/87

Primary Examiner—Ted Shooman
Assistant Examiner—C. Tuttle
Attorney, Agent, or Firm—Kane, Dalsimer, Sullivan, Kurucz, Levy, Eisele & Richard

[57] **CLAIM**

The ornamental design for lipstick case, as shown and described.

DESCRIPTION

FIG. 1 is a perspective view of lipstick case showing my new design;
FIG. 2 is a front elevational view thereof;
FIG. 3 is a rear elevational view thereof;
FIG. 4 is a left side elevational view thereof;
FIG. 5 is a right side elevational view thereof;
FIG. 6 is a top plan view thereof;
FIG. 7 is a bottom plan view thereof; and,
FIG. 8 is a exploded perspective view thereof.

1 Claim, 4 Drawing Sheets

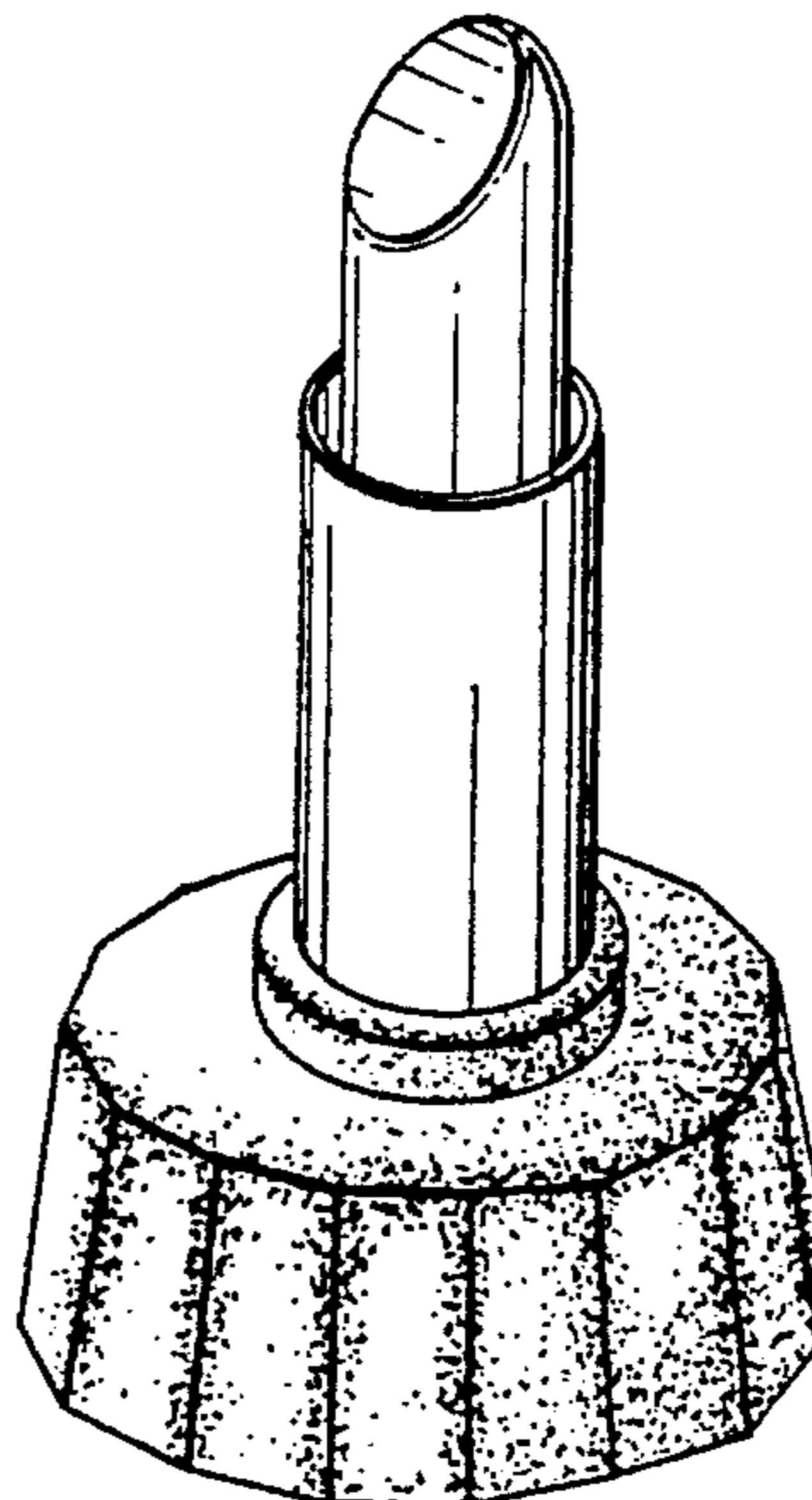




FIG. 1

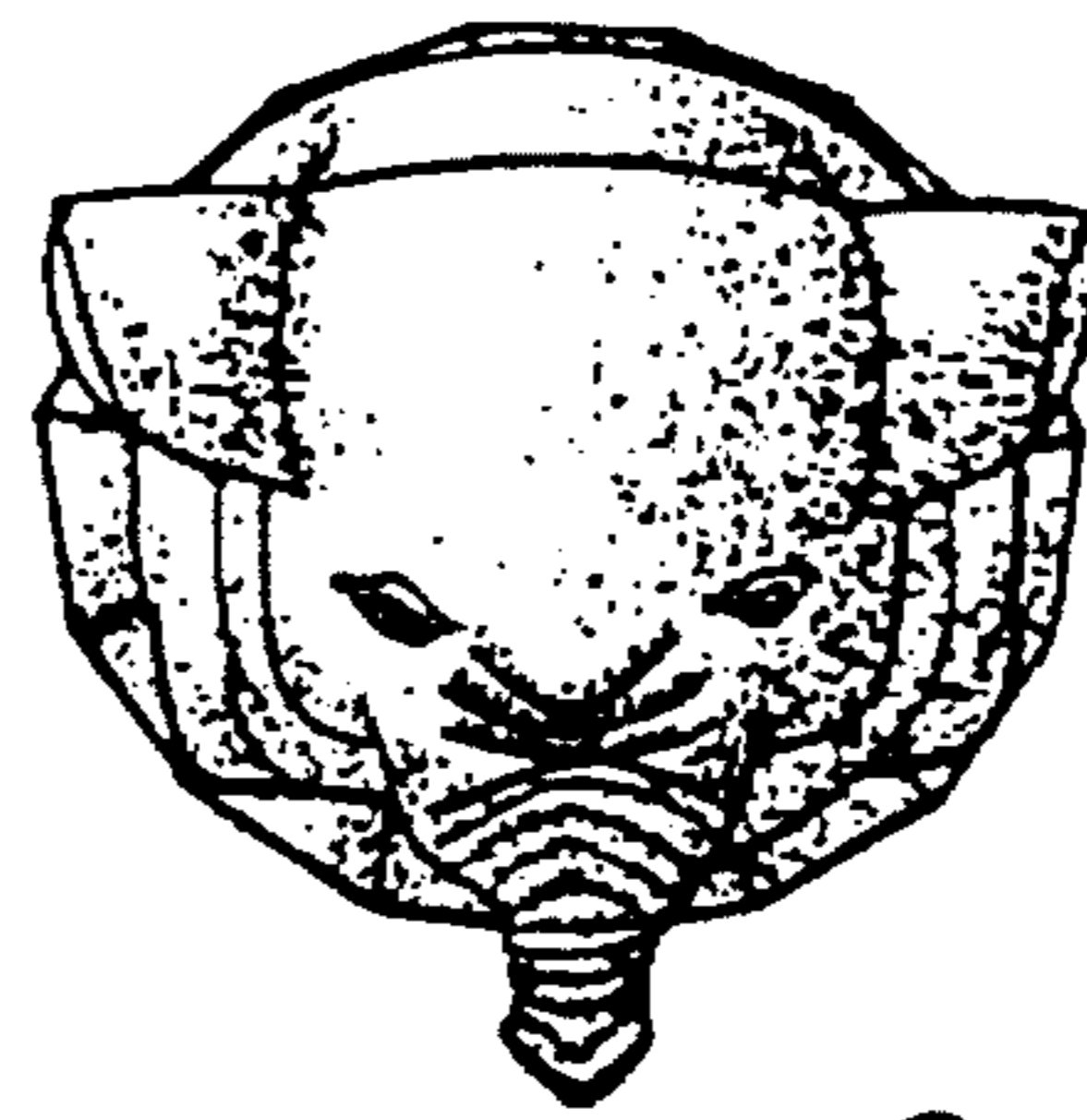


FIG. 6

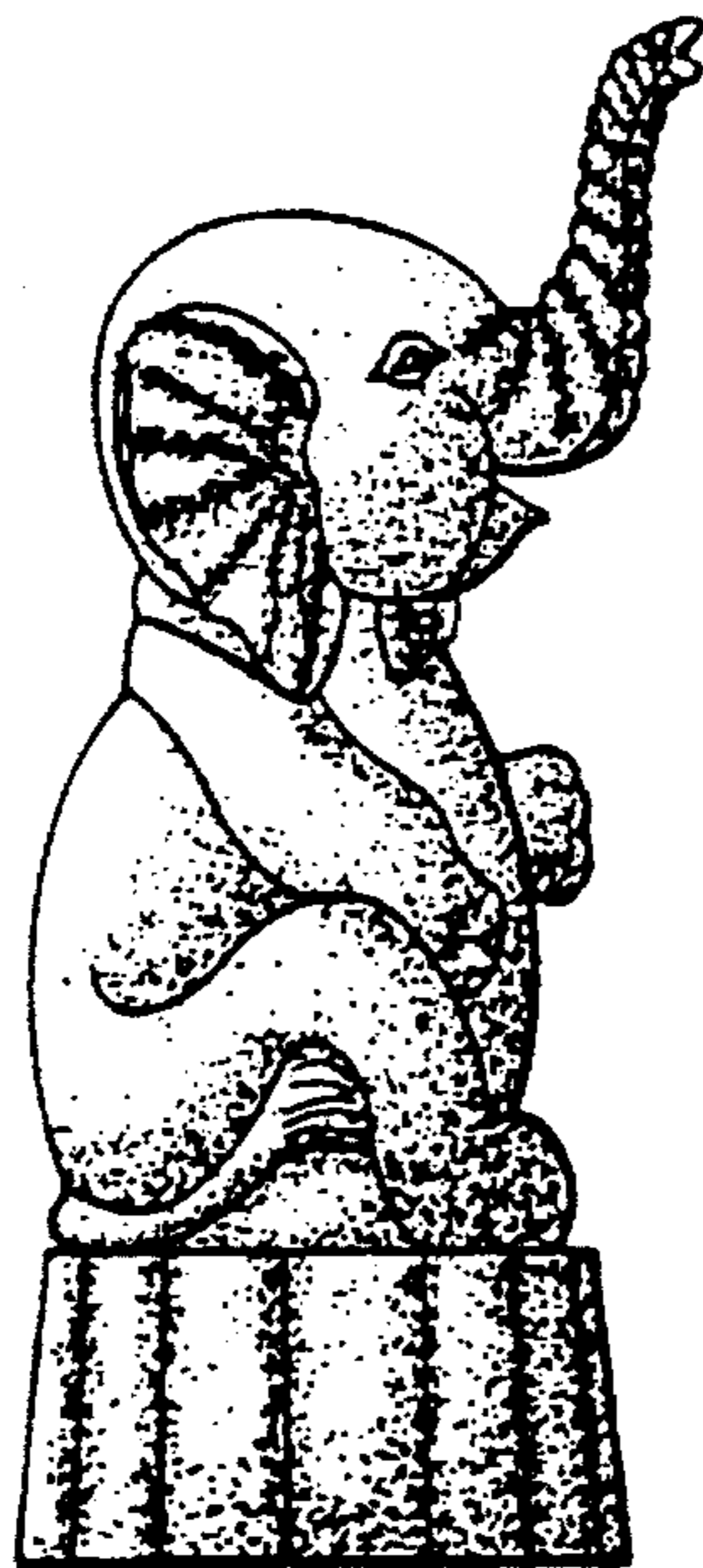


FIG. 4

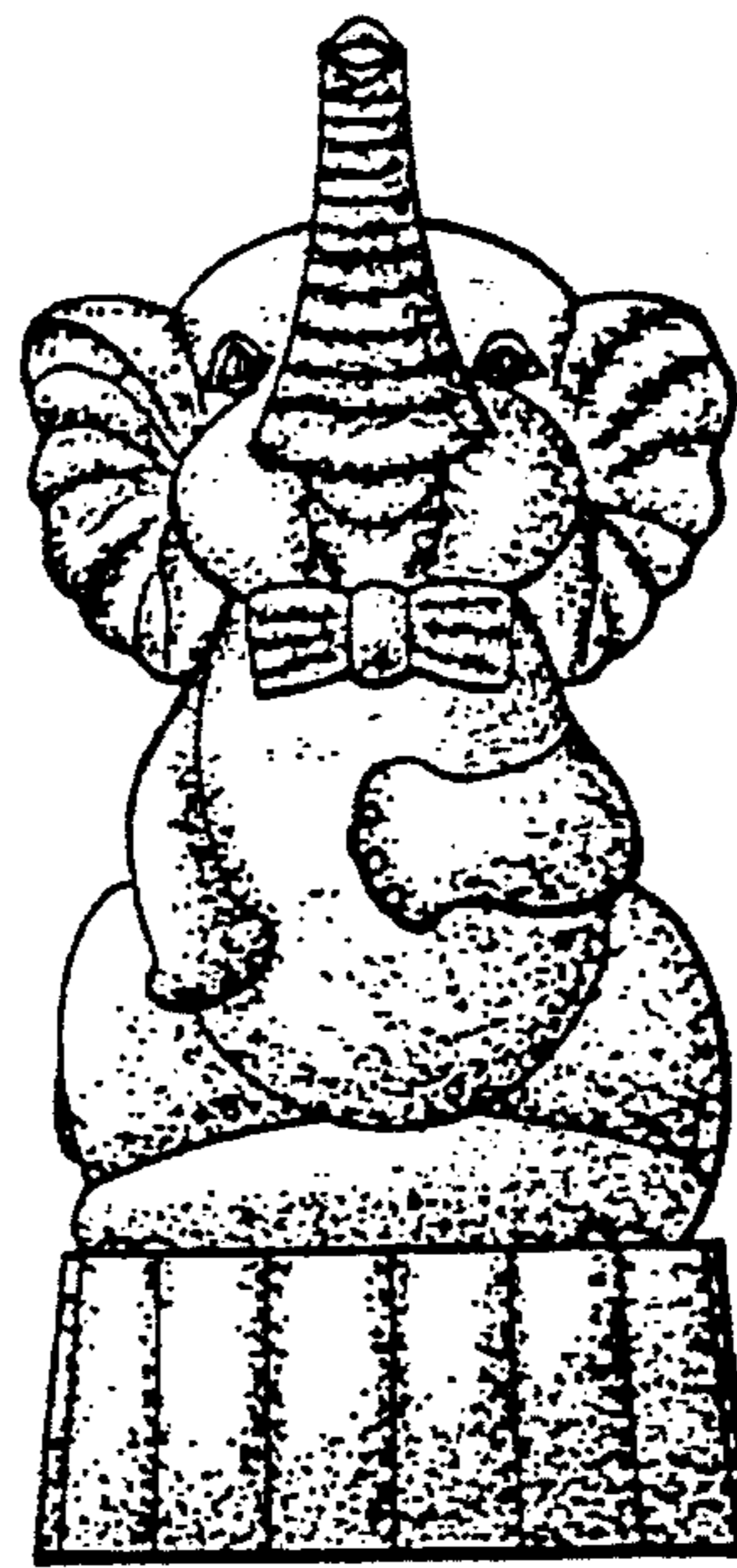


FIG. 2

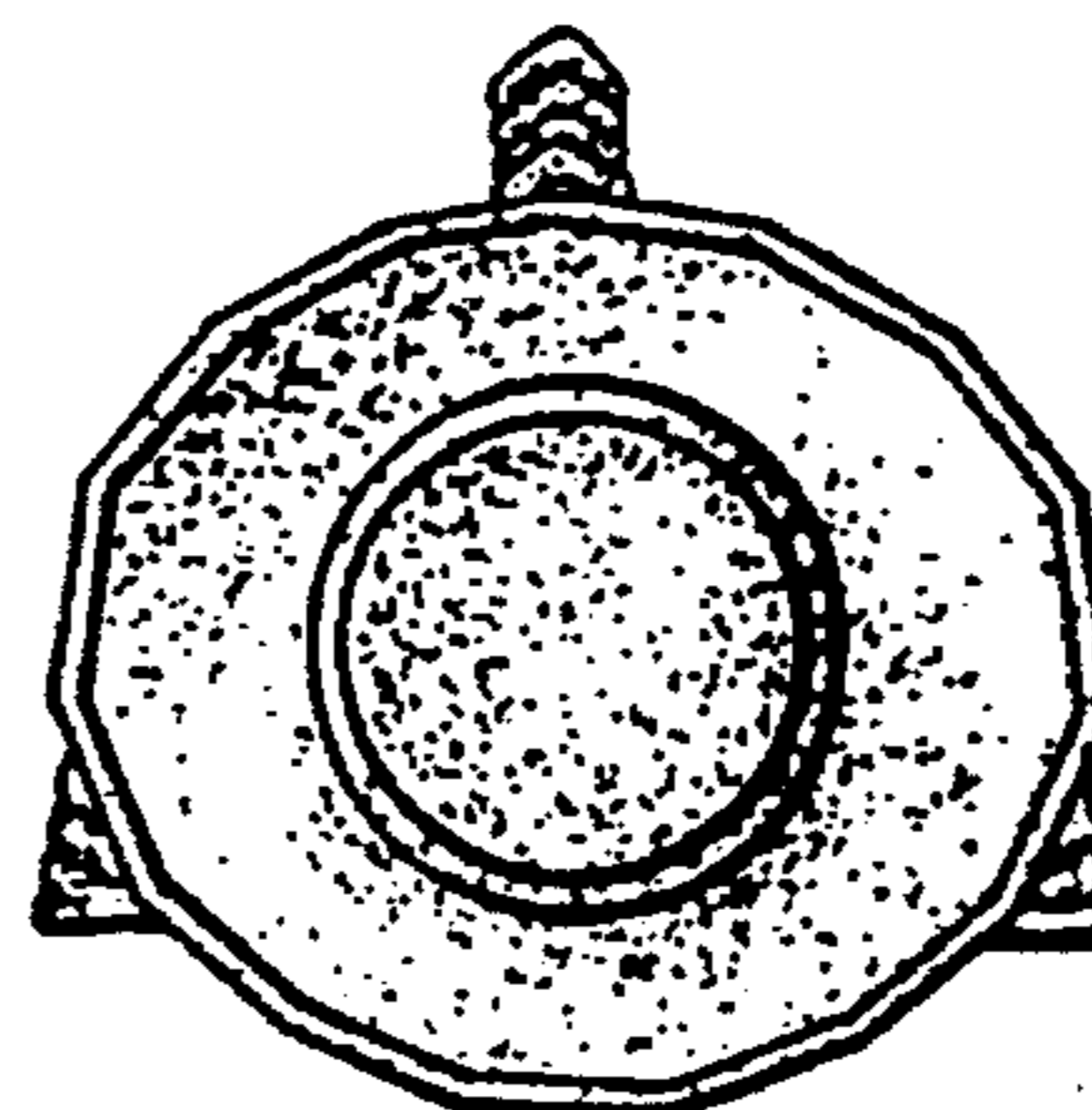


FIG. 7

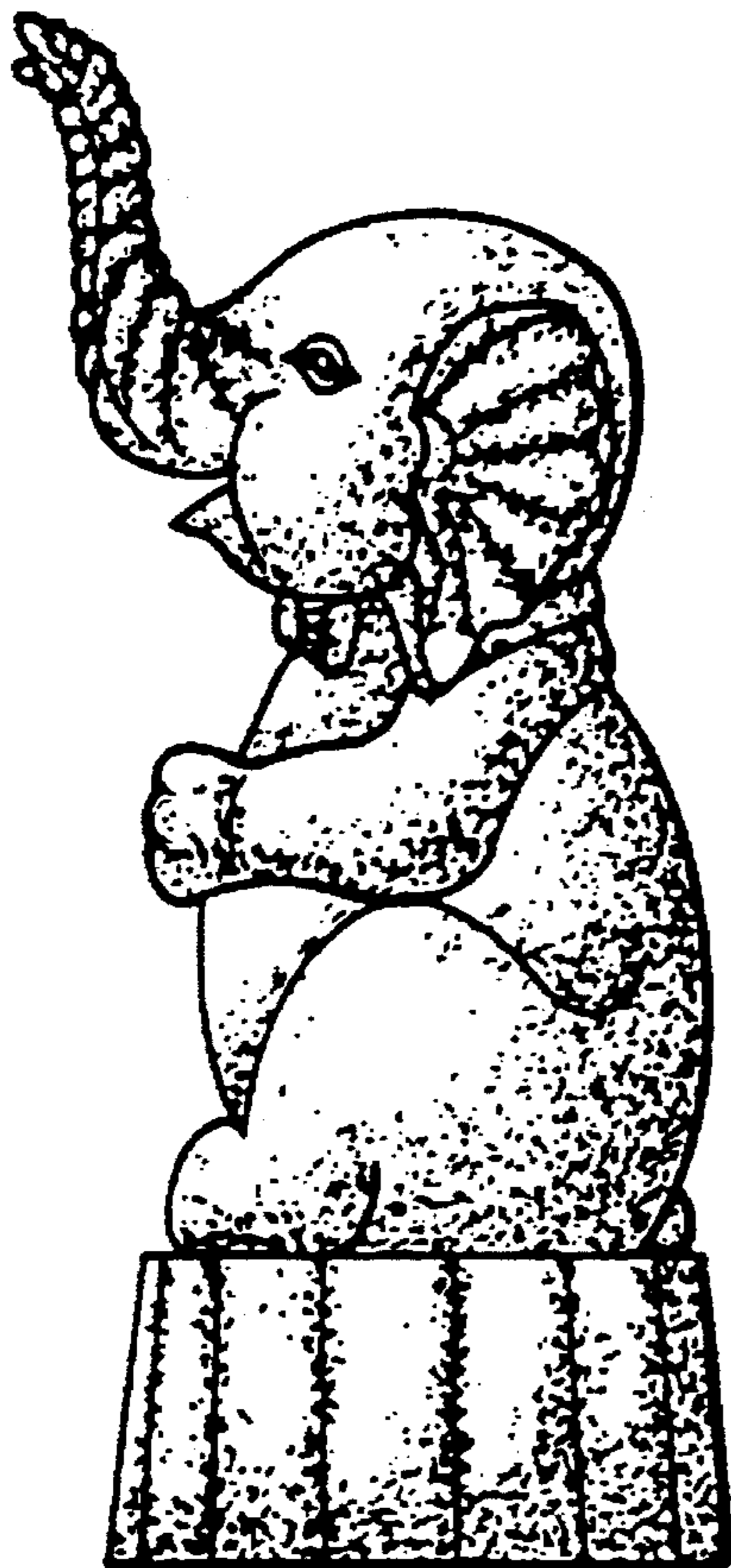


FIG. 5

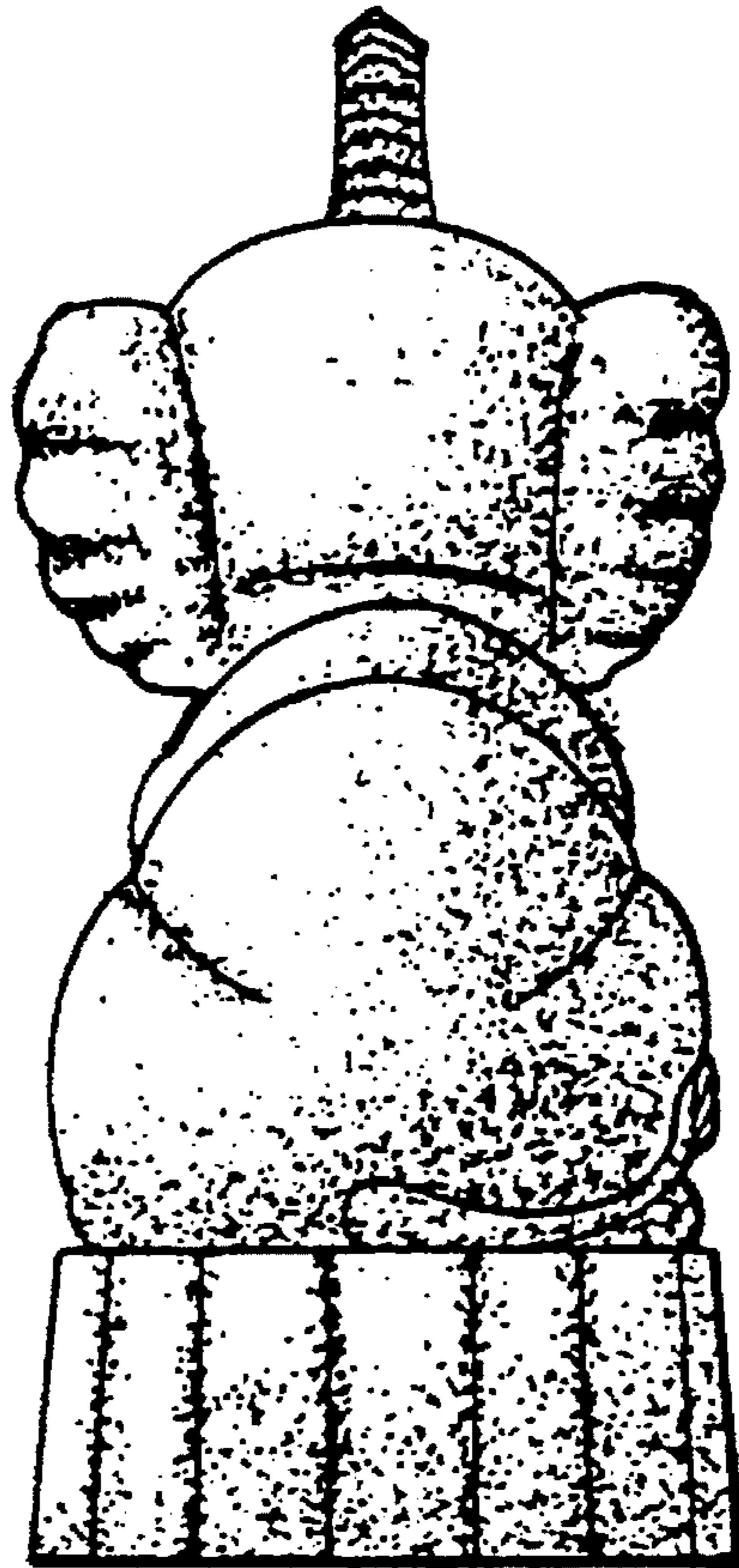


FIG. 3

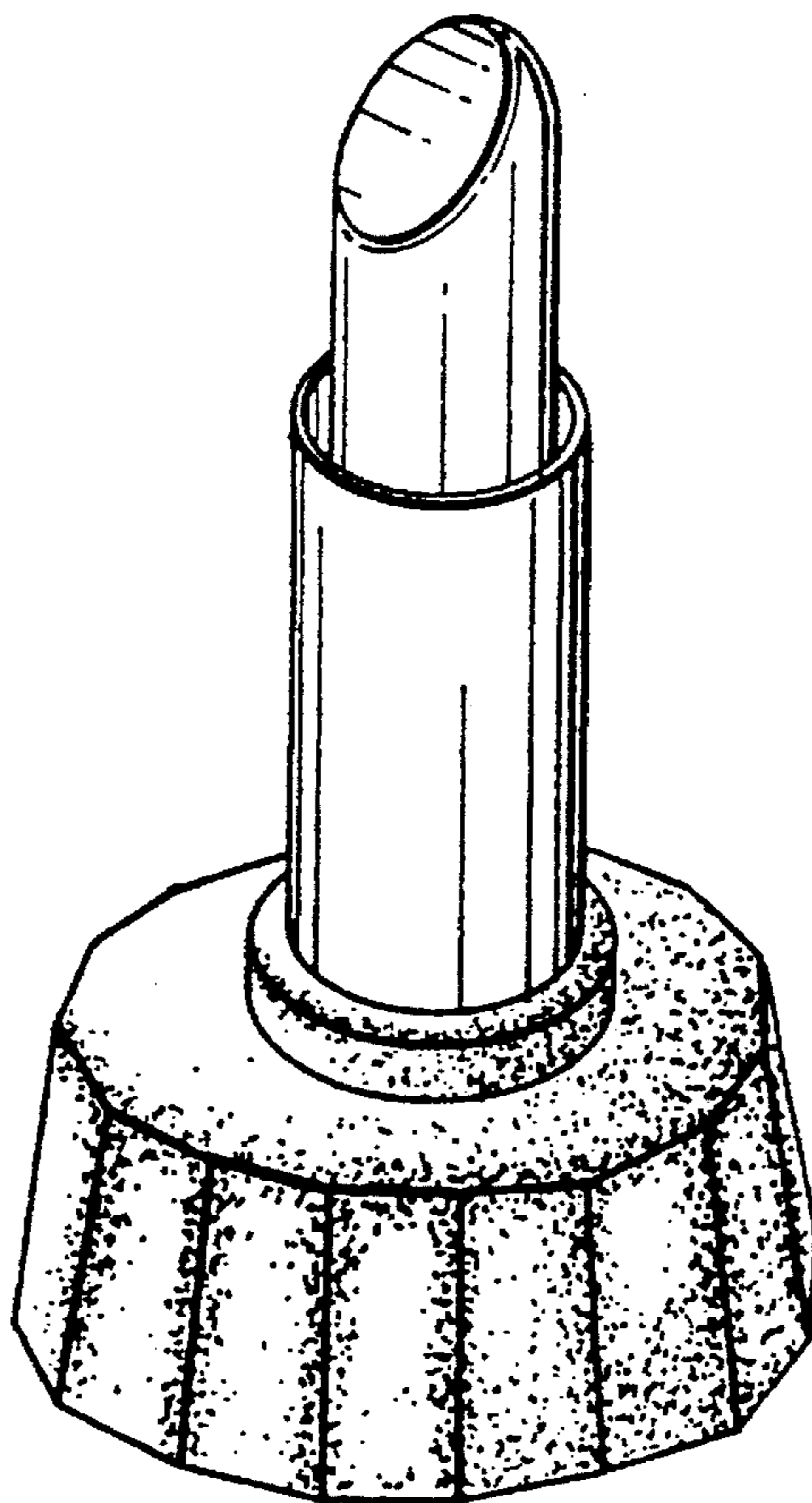
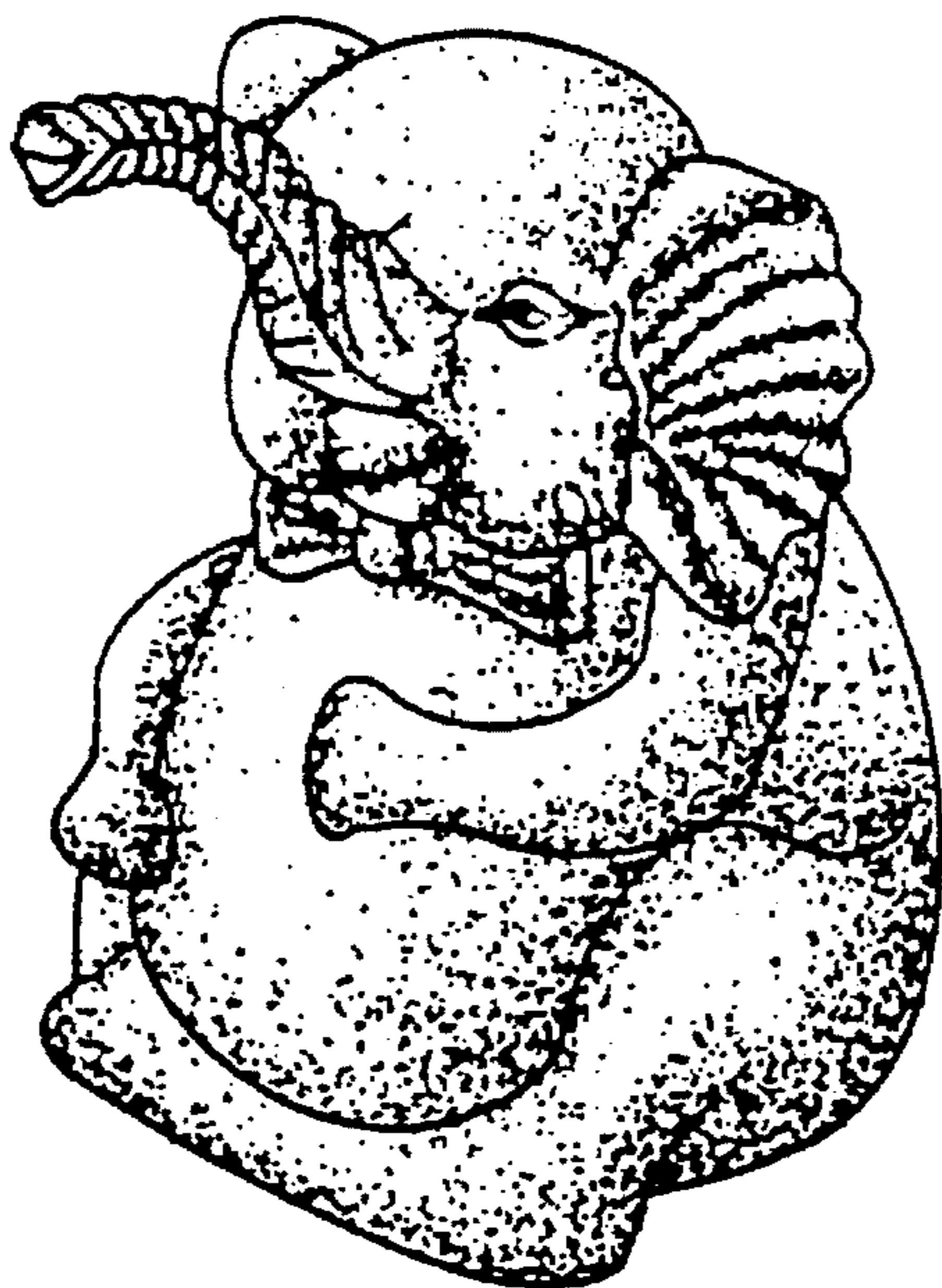


FIG. 8