



US00D365663S

United States Patent [19]

[11] Patent Number: **Des. 365,663**

Dwork et al.

[45] Date of Patent: ****Dec. 26, 1995**

[54] **RAZOR HEAD**

[75] Inventors: **Kay G. Dwork**, 16930 Knightsbridge La., Delray Beach, Fla. 33484; **Charles A. Pfretzschner**, Highland Beach, Fla.

[73] Assignee: **Kay G. Dwork**, Delray Beach, Fla.

[**] Term: **14 Years**

[21] Appl. No.: **26,674**

[22] Filed: **Aug. 3, 1994**

[52] U.S. Cl. **D28/47**

[58] Field of Search D28/44, 46, 47; 30/32, 34.05, 34.2, 49, 51, 77, 81

[56] **References Cited**

U.S. PATENT DOCUMENTS

D. 183,898	11/1958	Pressman et al.	D28/46
D. 218,669	9/1970	Genaro et al.	D28/46
D. 256,171	7/1980	Tomaro	D28/58
D. 276,562	11/1984	Mizobata et al.	D28/49
D. 317,964	7/1991	Smal	D28/49
1,011,844	12/1911	Postans	30/81 X
1,792,415	2/1931	Dean	30/49
1,958,718	5/1934	Schermack	30/49
2,028,022	1/1936	Sieminski	30/31
2,556,208	6/1951	Musso	30/347 X
2,690,008	9/1954	Bobkowicz	D28/50 X
2,851,772	9/1958	Monnet	30/43
3,127,676	4/1964	Johnson	30/49
3,178,814	4/1965	Craig	30/62

3,505,734	4/1970	Iten	30/346.58
3,613,690	10/1971	Newell	606/133
3,648,365	3/1972	Iten et al.	30/40
3,828,430	8/1974	Yamada et al.	30/41.5
4,336,651	6/1982	Caro	30/49
4,845,845	7/1989	Scott	30/42
4,926,553	5/1990	Miskin et al.	30/49

Primary Examiner—Ted Shooman
Assistant Examiner—C. Tuttle
Attorney, Agent, or Firm—Quarles & Brady

[57] **CLAIM**

The ornamental design for a razor head, as shown and described.

DESCRIPTION

FIG. 1 is a left side elevational view of a razor head showing our new design, the side opposite being a mirror image of the side shown;

FIG. 2 is a front view thereof;

FIG. 3 is a rear view thereof;

FIG. 4 is a top plan view thereof;

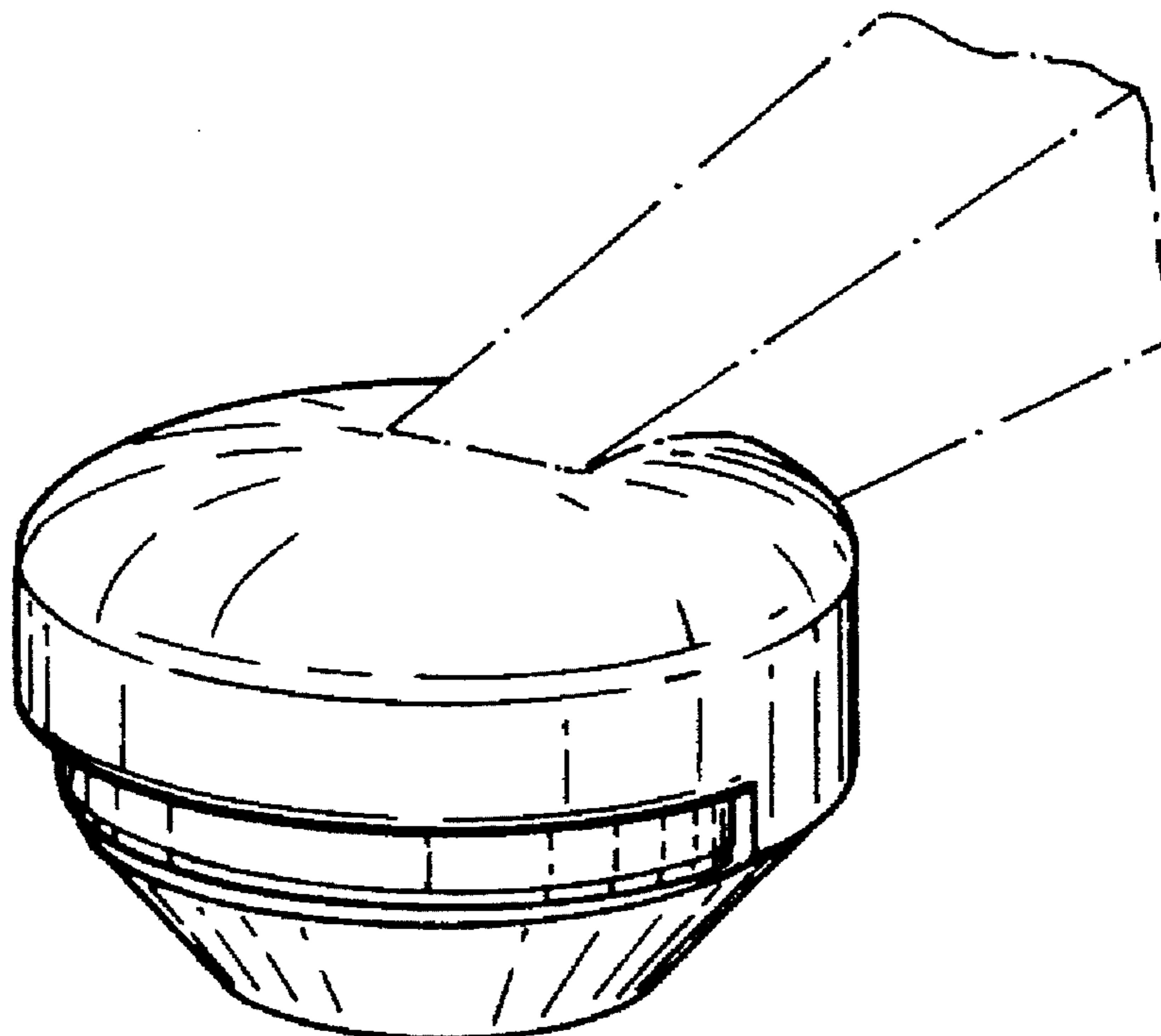
FIG. 5 is a bottom plan view thereof; and,

FIG. 6 is a perspective view thereof.

The broken line showing of the handle is for illustrative purposes only and forms no part of the claimed design.

The portions obscured by the broken line disclosure are unornamented and follow the configuration of the portions shown.

1 Claim, 1 Drawing Sheet



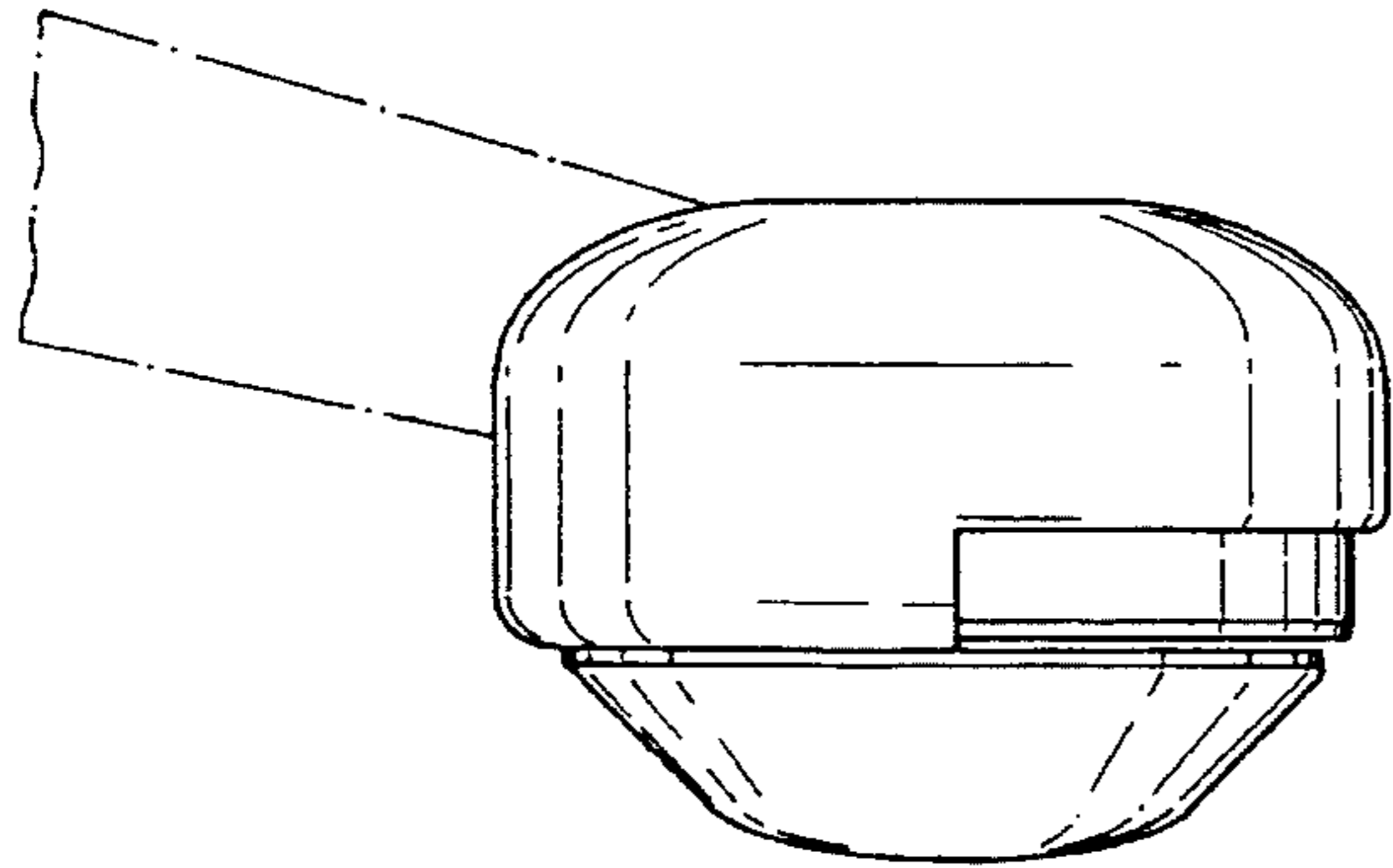


FIG. 1

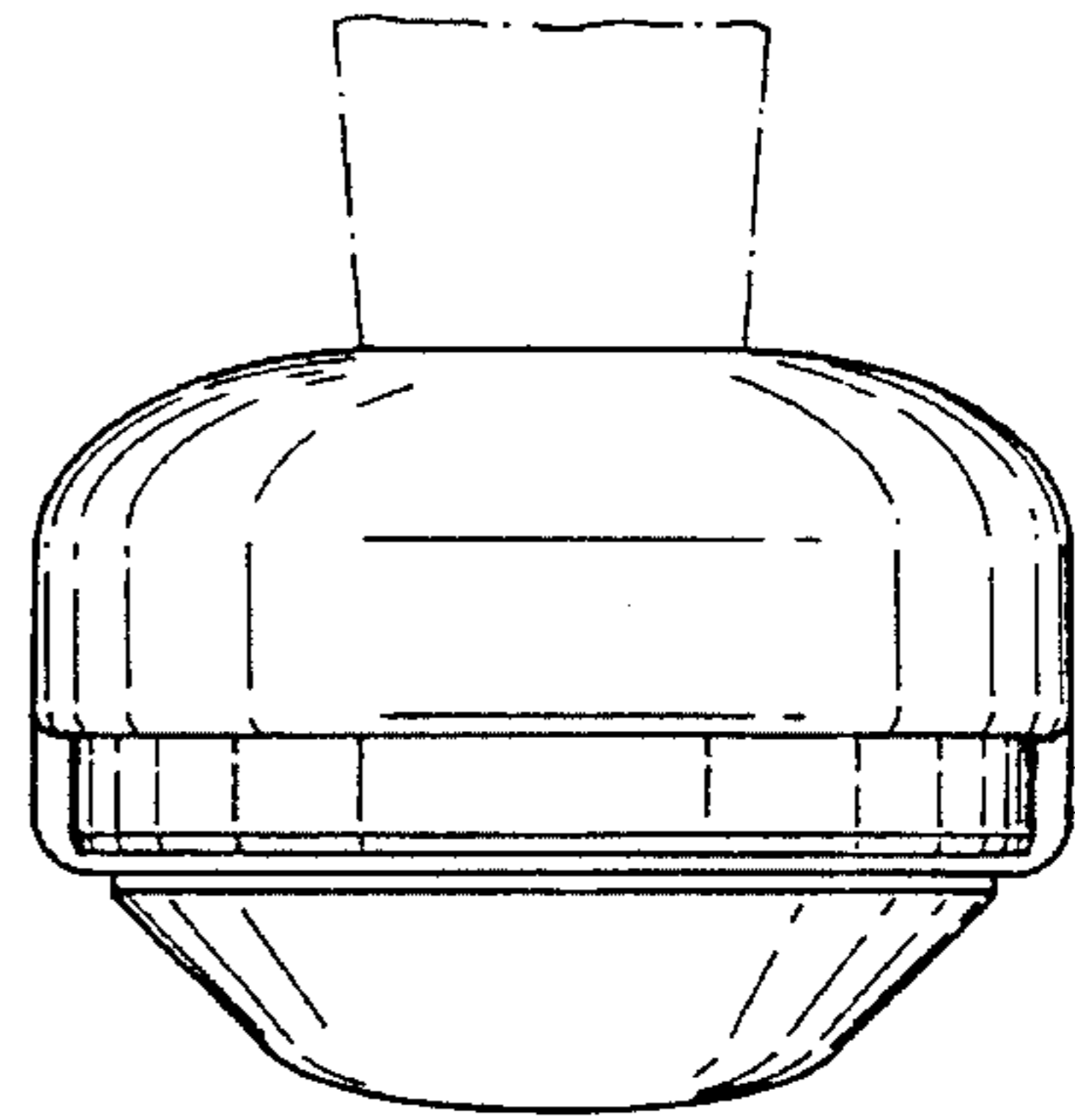


FIG. 2

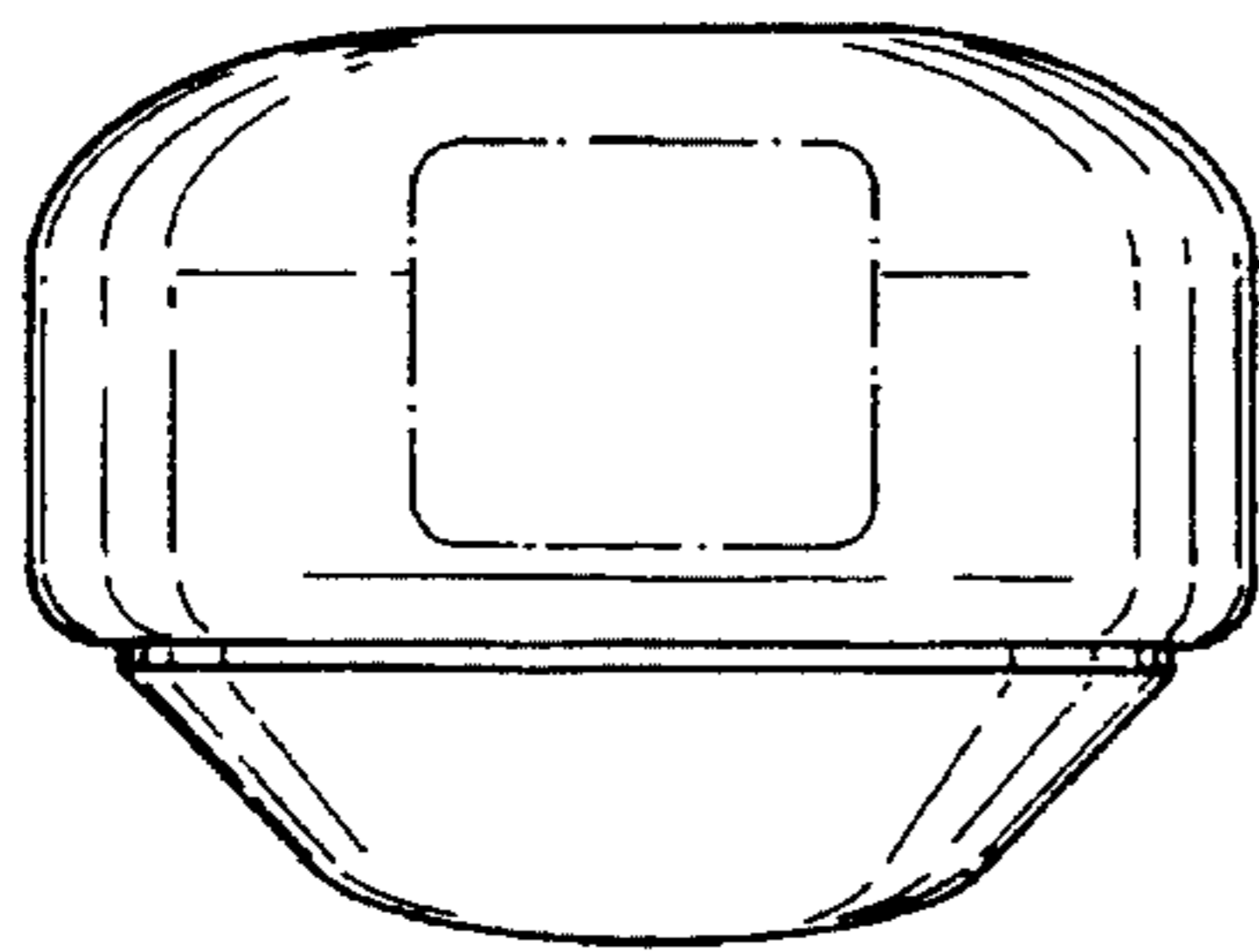


FIG. 3

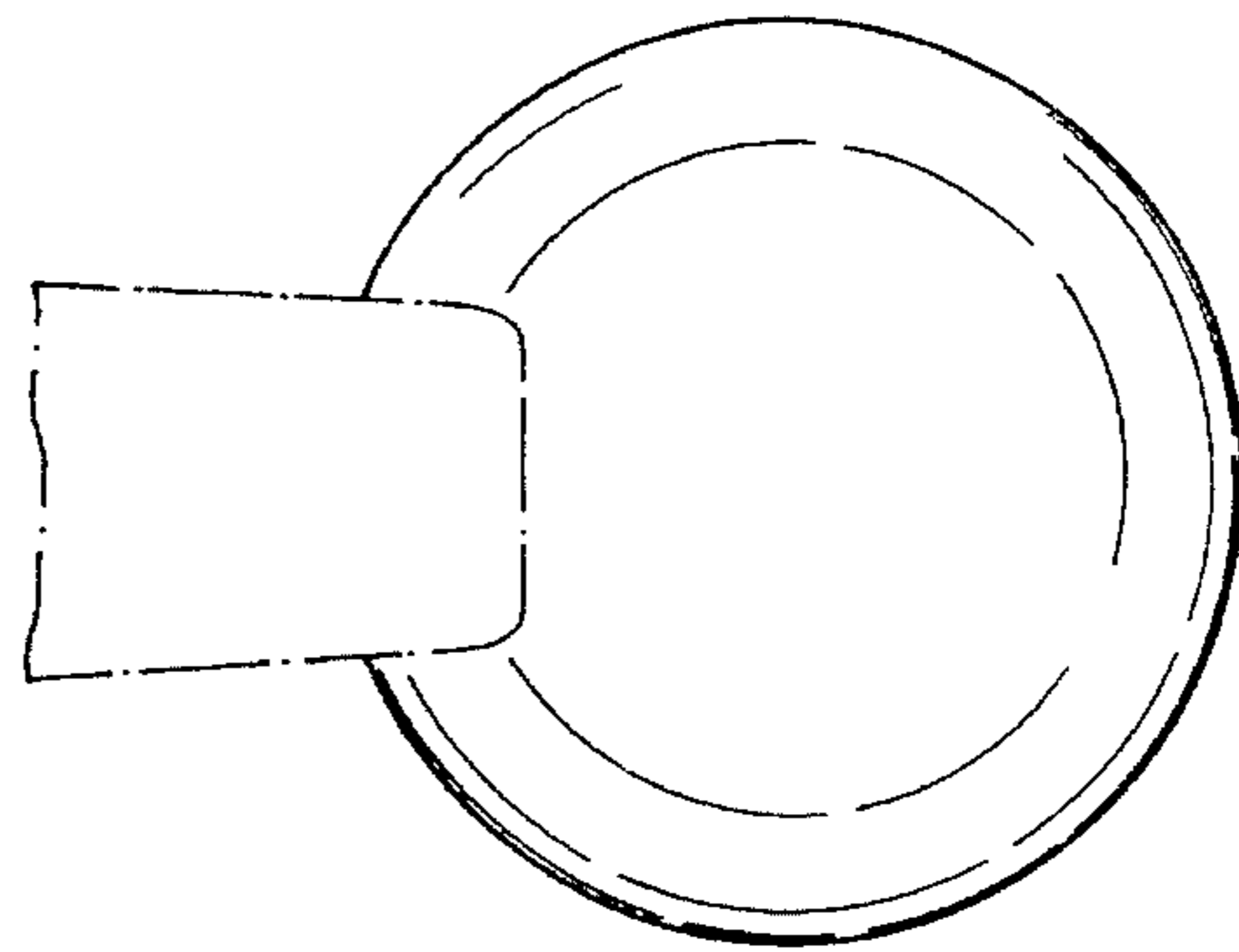


FIG. 4

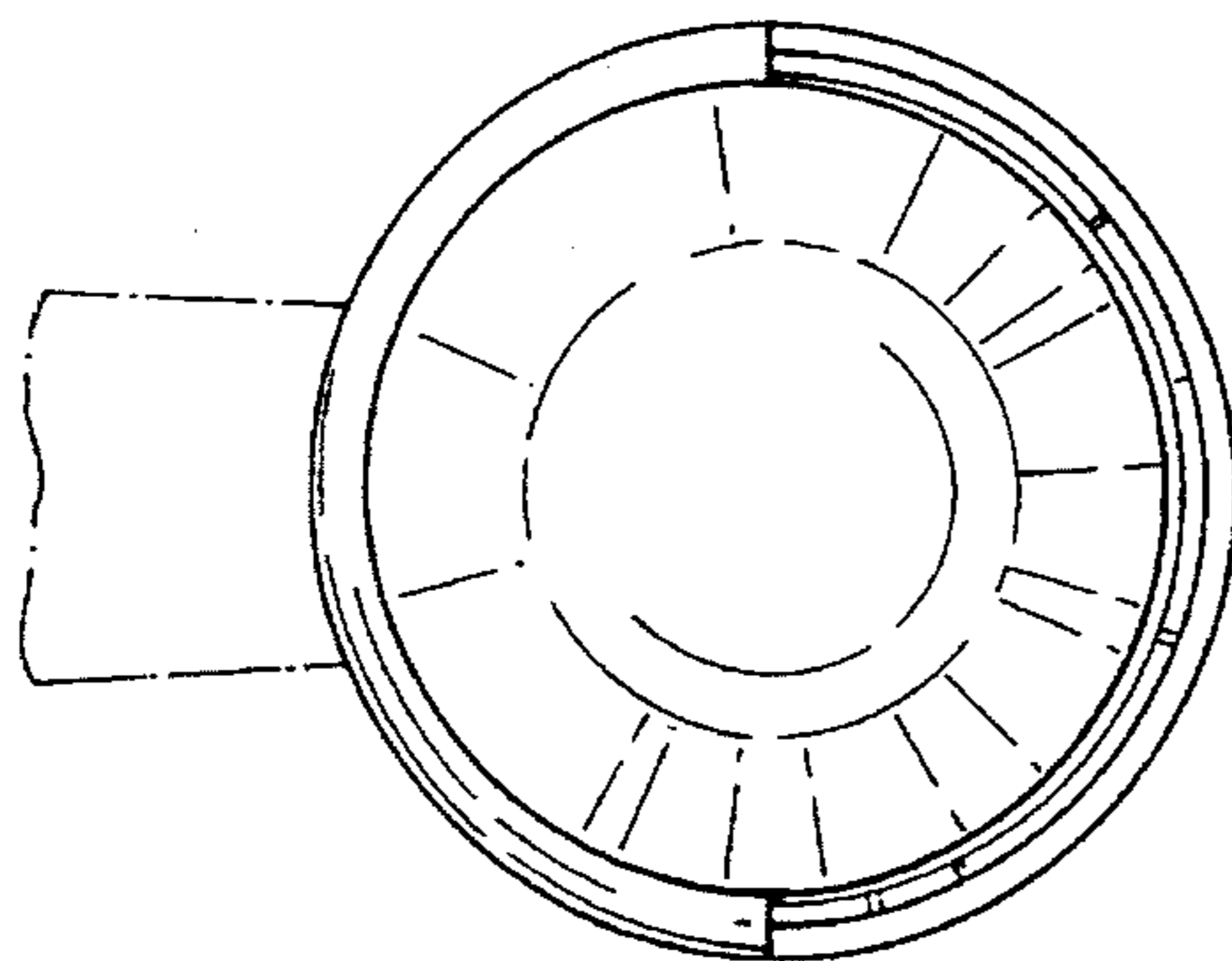


FIG. 5

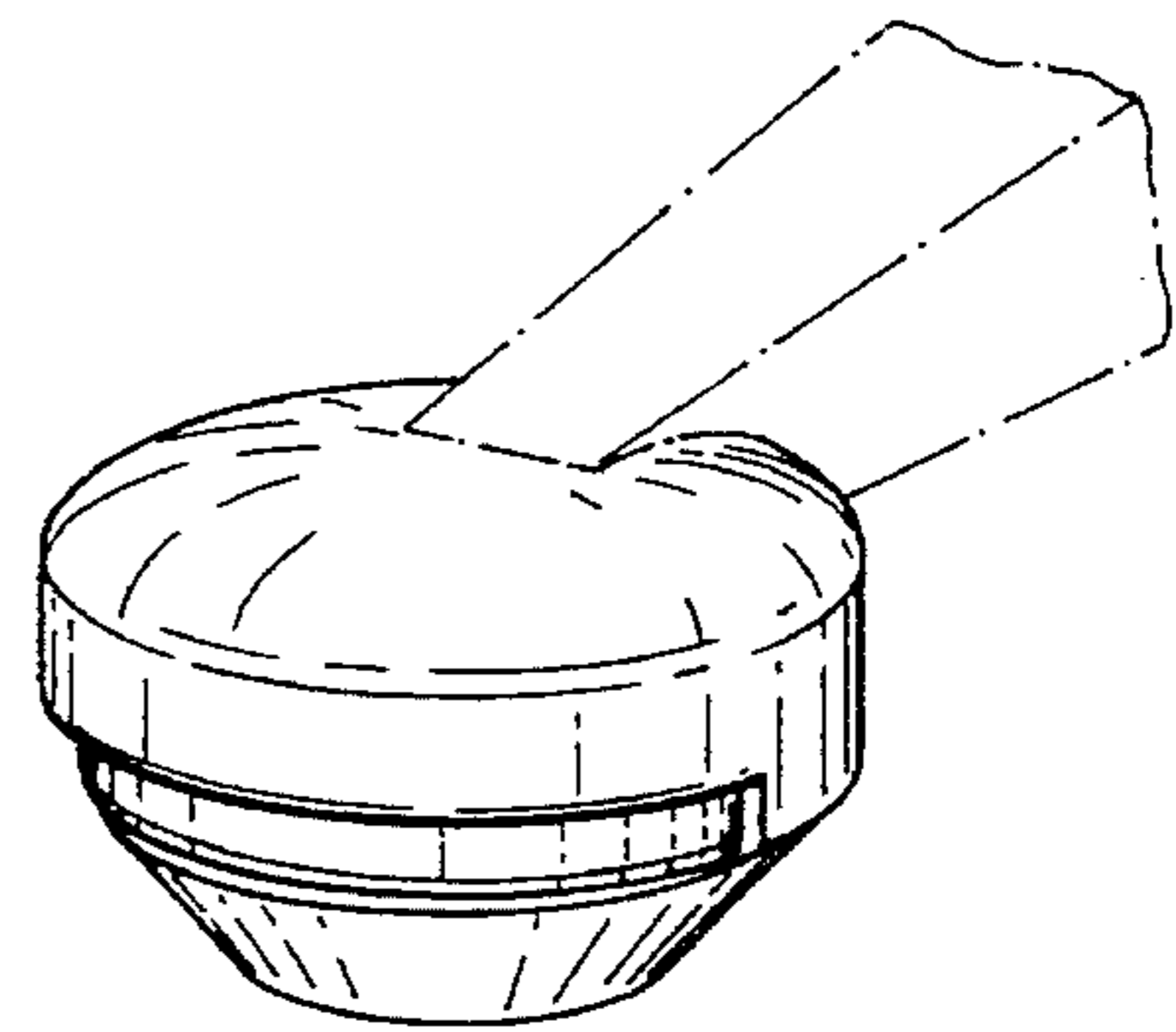


FIG. 6