



US00D365658S

United States Patent [19]

[11] Patent Number: **Des. 365,658**

Burch

[45] Date of Patent: ****Dec. 26, 1995**

[54] **LAMP BRACKET AND WALL MOUNT UNIT**

[75] Inventor: **Paul R. Burch**, Vernon Hills, Ill.

[73] Assignee: **Art Specialty Company**, Chicago, Ill.

[**] Term: **14 Years**

[21] Appl. No.: **31,728**

[22] Filed: **Dec. 5, 1994**

[52] U.S. Cl. **D26/138; D8/373; D8/381**

[58] Field of Search **D8/373, 380, 381; D26/138; 248/235, 237, 247, 309.1; 211/65-66, 63, 89; 362/72, 396, 432**

[56] **References Cited**

U.S. PATENT DOCUMENTS

4,747,025	5/1988	Barton	362/432 X
4,994,943	2/1991	Aspenwall	362/432 X
5,275,366	1/1994	Simmons	362/432

Primary Examiner—A. Hugo Word
Assistant Examiner—Holly Baynham
Attorney, Agent, or Firm—Banner & Allegretti, Ltd.

[57] **CLAIM**

The ornamental design for a lamp bracket and wall mount unit, as shown and described.

DESCRIPTION

FIG. 1 is left front view of a lamp bracket and wall mount unit showing my new design;
FIG. 2 is a front elevational view thereof;
FIG. 3 is a right side elevational view thereof;
FIG. 4 is a left side elevational view thereof;
FIG. 5 is a rear view thereof;
FIG. 6 is a top plan view thereof; and,
FIG. 7 is a bottom plan view thereof.

1 Claim, 1 Drawing Sheet

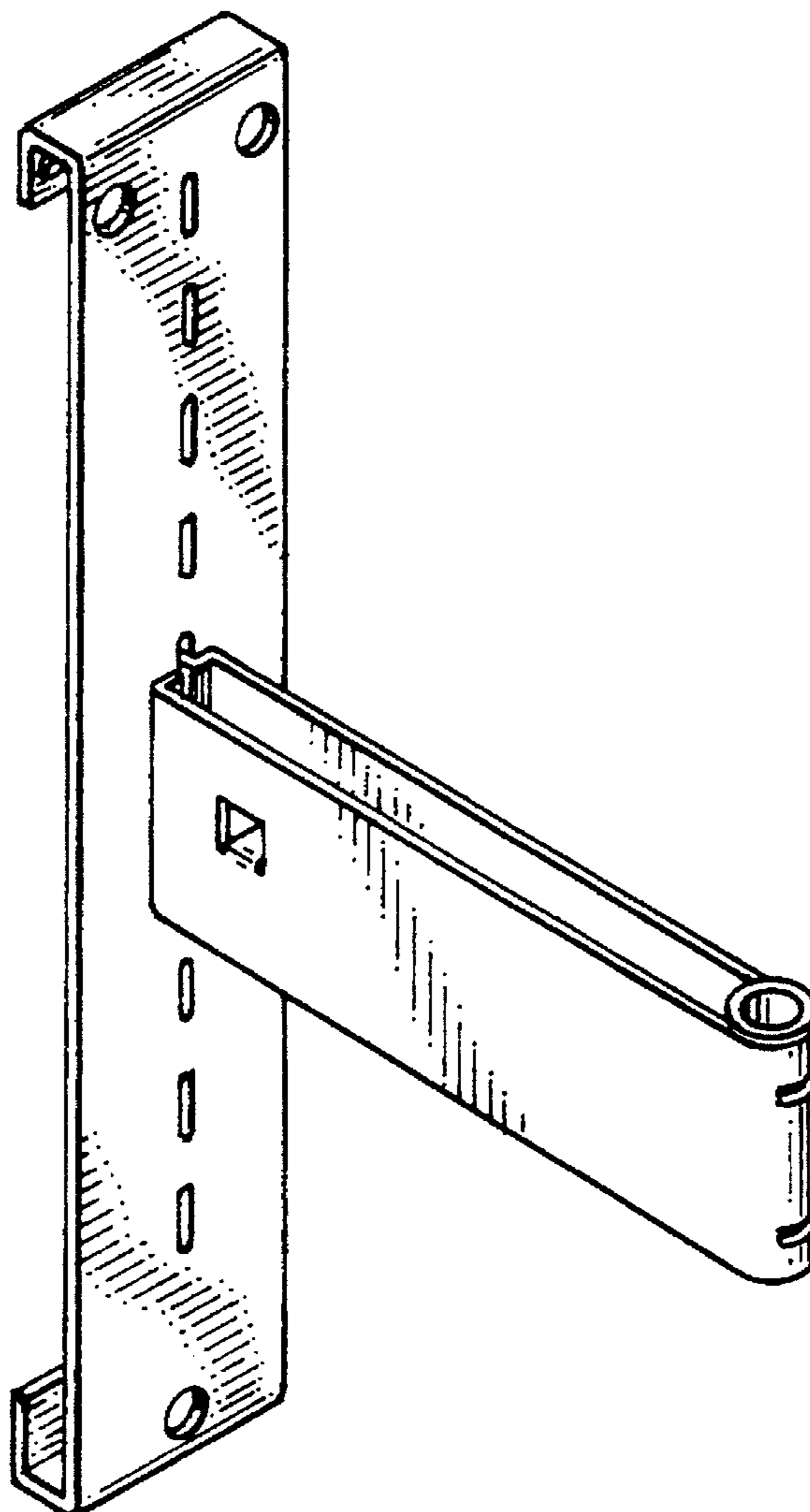


FIG.1

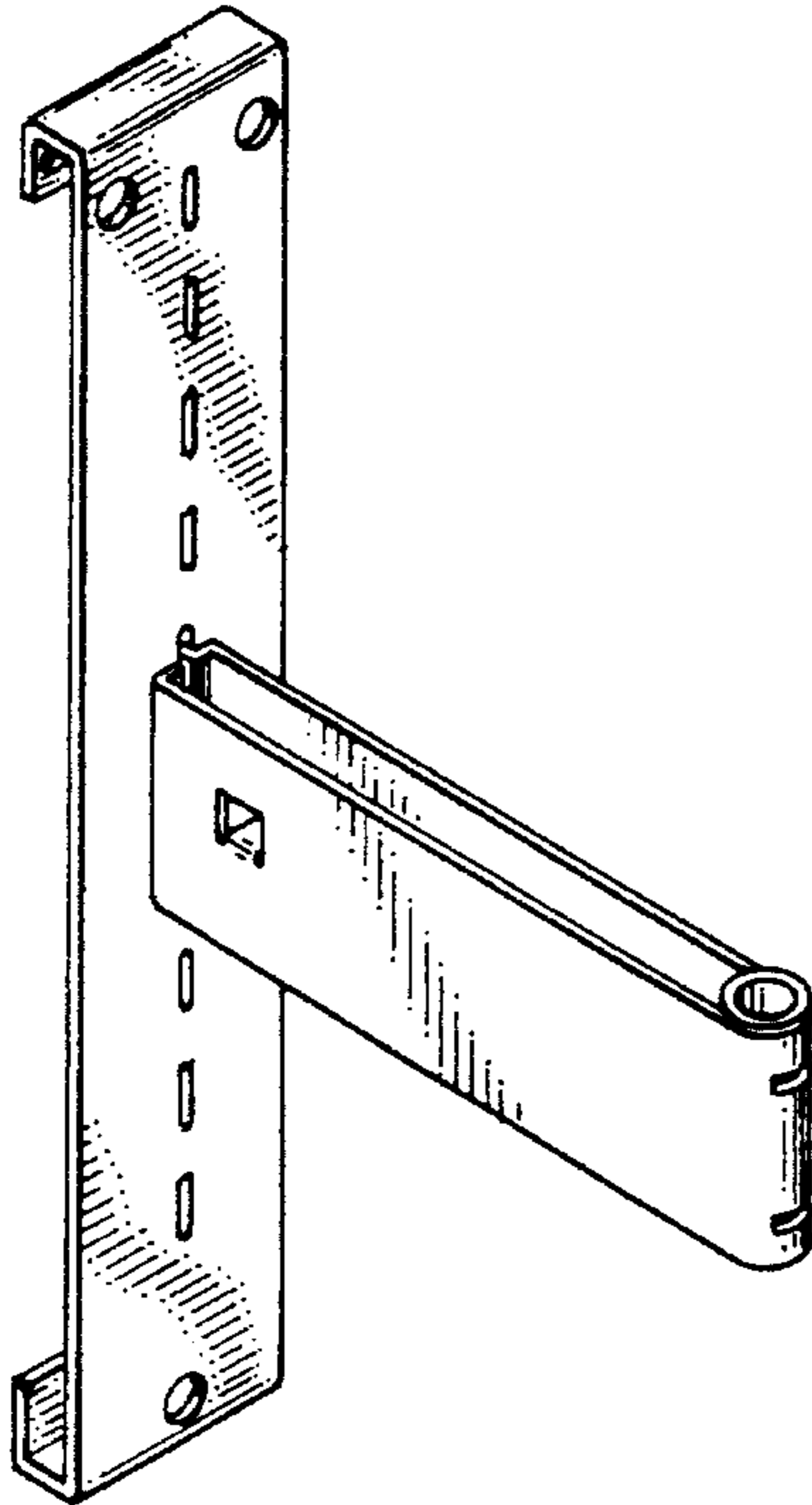


FIG.2

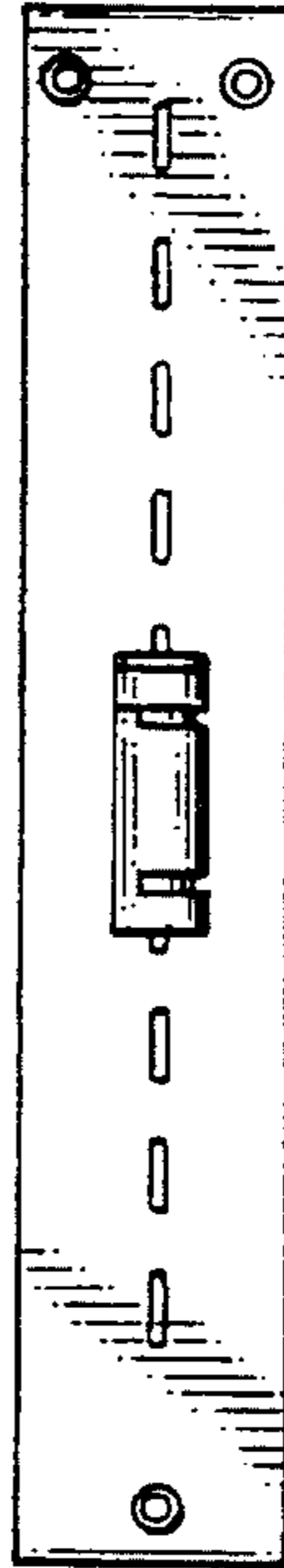


FIG.3

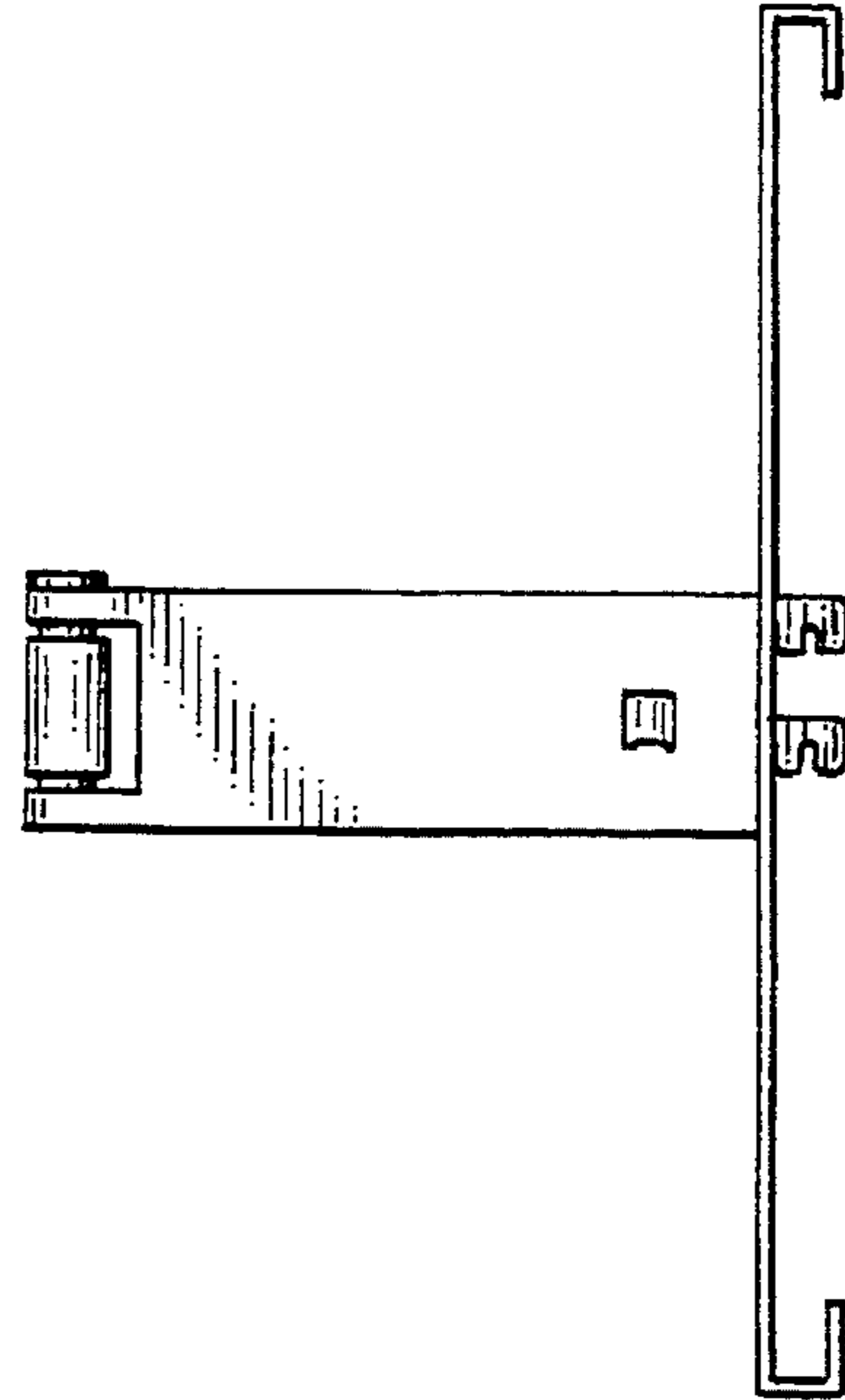


FIG.5

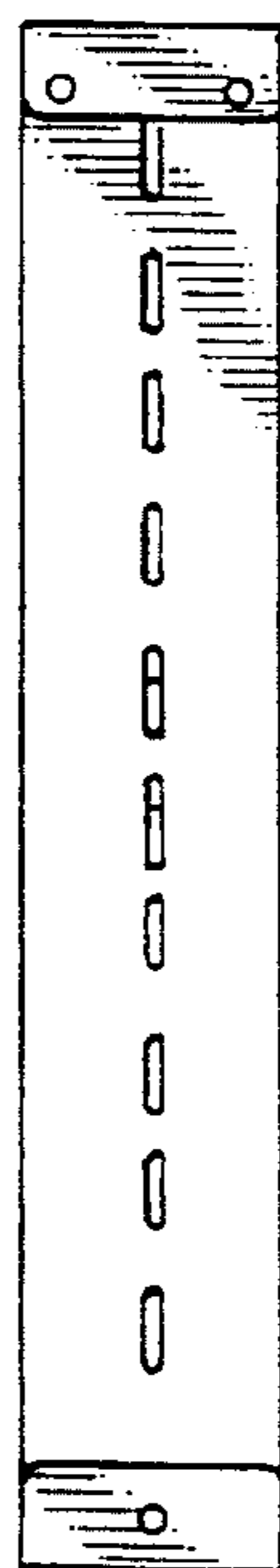


FIG.4

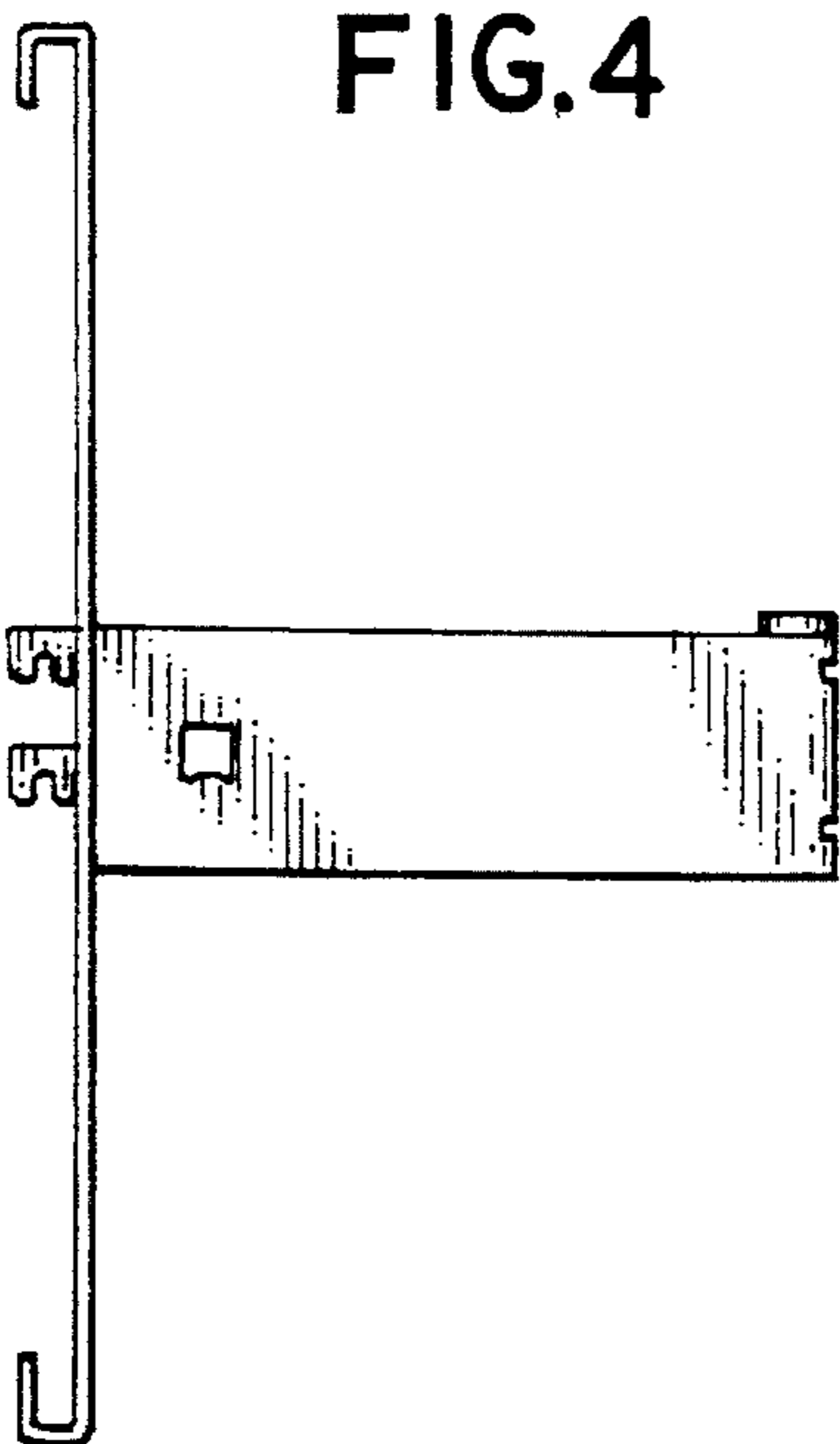


FIG.6

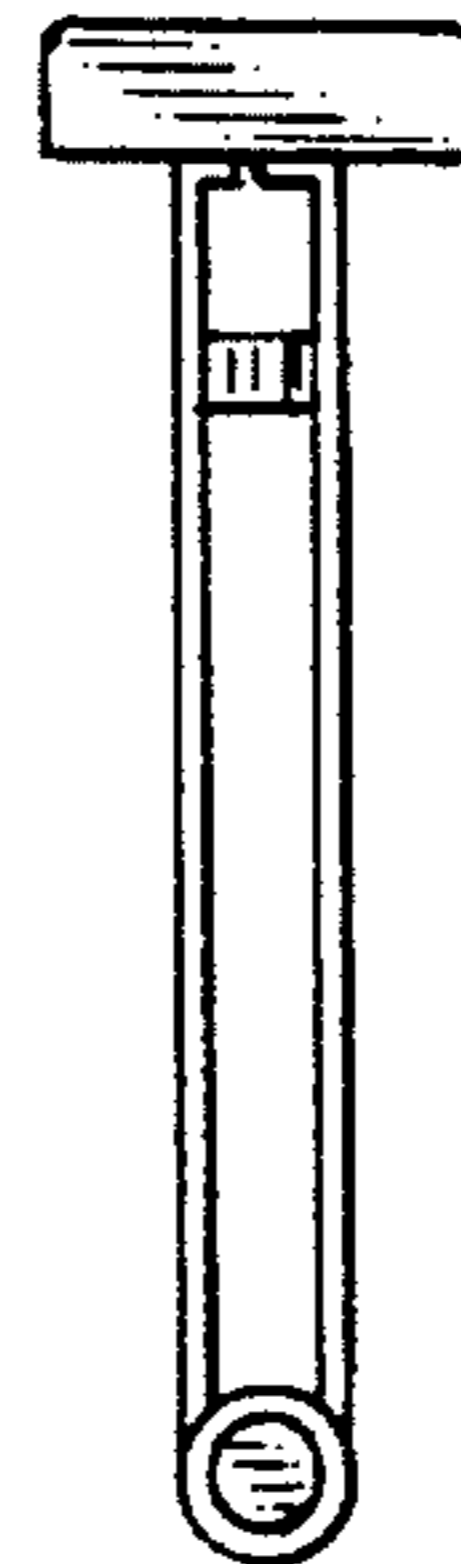


FIG.7

