



US00D365651S

United States Patent [19]

Herst et al.

[11] Patent Number: Des. 365,651

[45] Date of Patent: **Dec. 26, 1995

[54] **PORTION OF A LUMINAIRE**

[75] Inventors: **Douglas J. Herst, Ross; Utkan Salman**, Emeryville, both of Calif.

[73] Assignee: **Peerless Lighting Corporation**, Berkeley, Calif.

[**] Term: **14 Years**

[21] Appl. No.: **11,321**

[22] Filed: **Aug. 2, 1993**

[52] U.S. Cl. **D26/77**

[58] Field of Search D26/72, 75-92, D26/120, 121; 362/147, 404-408, 220-224, 290, 325, 342; D25/152-156

[56] **References Cited**

U.S. PATENT DOCUMENTS

D. 318,929	8/1991	Herst et al.	D26/76
1,821,062	9/1931	Kausal	362/147 X
2,579,015	12/1951	Schoenbrod	362/342 X
2,710,332	6/1955	Gogen	D26/77 X
3,057,271	10/1962	Butler et al.	D25/156 X

FOREIGN PATENT DOCUMENTS

85963	6/1955	Norway	D25/152
-------	--------	--------------	---------

OTHER PUBLICATIONS

Neoray product brochure for "NeoLux, Series 13," Neoray Lighting Corporation (prior to Aug. 2, 1993).
Advertisement of Litecontrol Corporation for "CLASSICA"

Architectural Fluorescent Lighting Fixture, Architectural Lighting, Apr./May 1993 edition.

Advertisement of Zumtobel Lighting, Inc. for fluorescent lighting fixture, Architectural Lighting, Oct./Nov. 1993 edition.

Architectural Record, May 1962, p. 35, Fluorescent Lamp Side Flange with Slots.

Standard Stamping & Perforating Co. Registers & Grilles Catalog, Nov. 1948, p. 49, Sanitary Slot Design.

Primary Examiner—Susan J. Lucas

Attorney, Agent, or Firm—Donald L. Beeson

[57] **CLAIM**

The ornamental design for a portion of a luminaire, as shown and described.

DESCRIPTION

FIG. 1 is a fragmentary bottom perspective view of a portion of a direct-indirect luminaire in accordance with our new design;

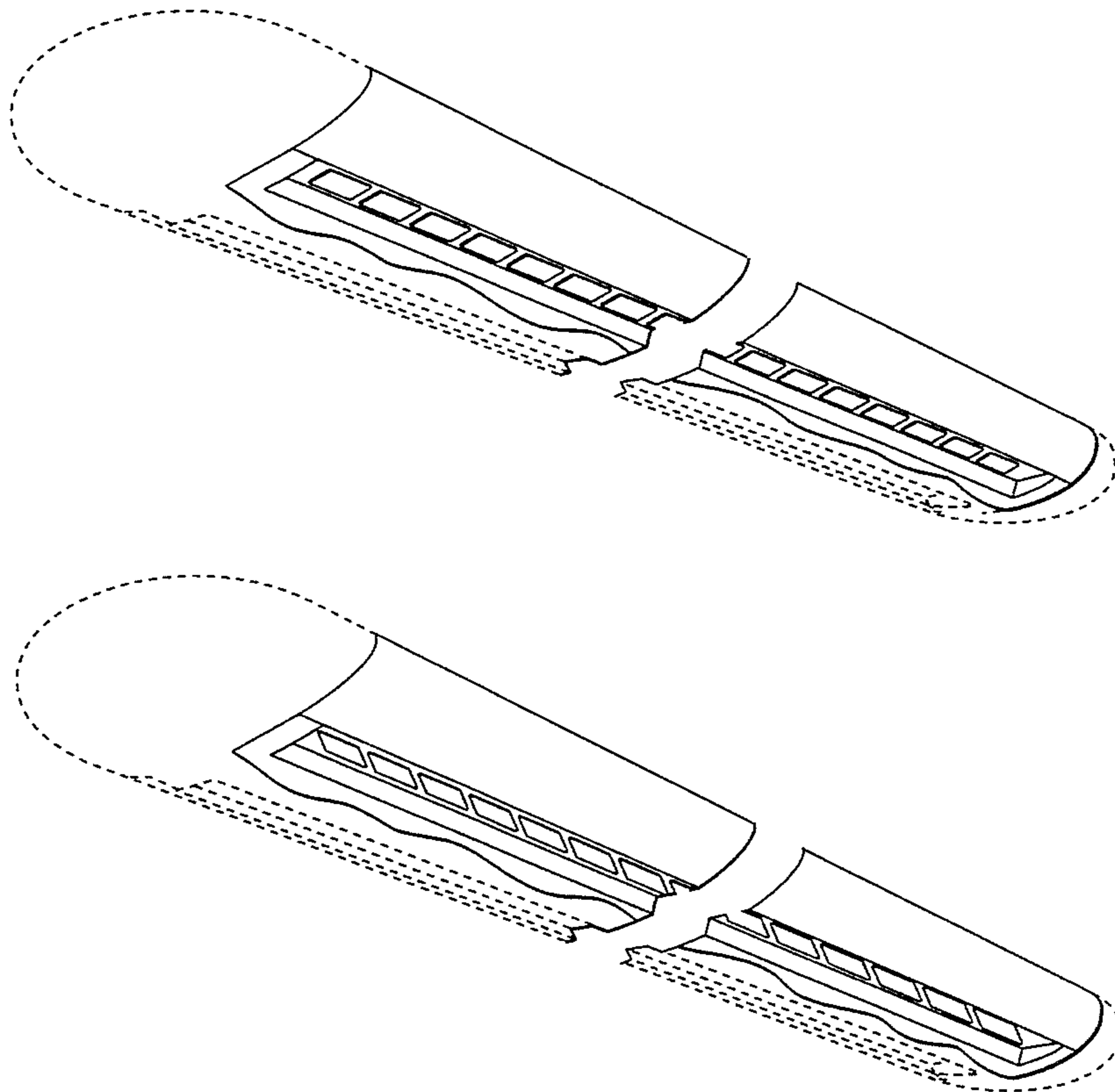
FIG. 2 is a bottom plan view thereof;

FIG. 3 is a fragmentary bottom perspective view of an alternative embodiment of a portion of a direct-indirect luminaire in accordance with our new design; and,

FIG. 4 is a bottom plan view thereof.

The broken lines are shown in FIGS. 1-4 for illustrative purposes only and indicate the nature and use of our new design. The fragmentary views of FIGS. 1-4 indicate indeterminate length and show the portion of the direct-indirect luminaire considered to be our new design.

1 Claim, 3 Drawing Sheets



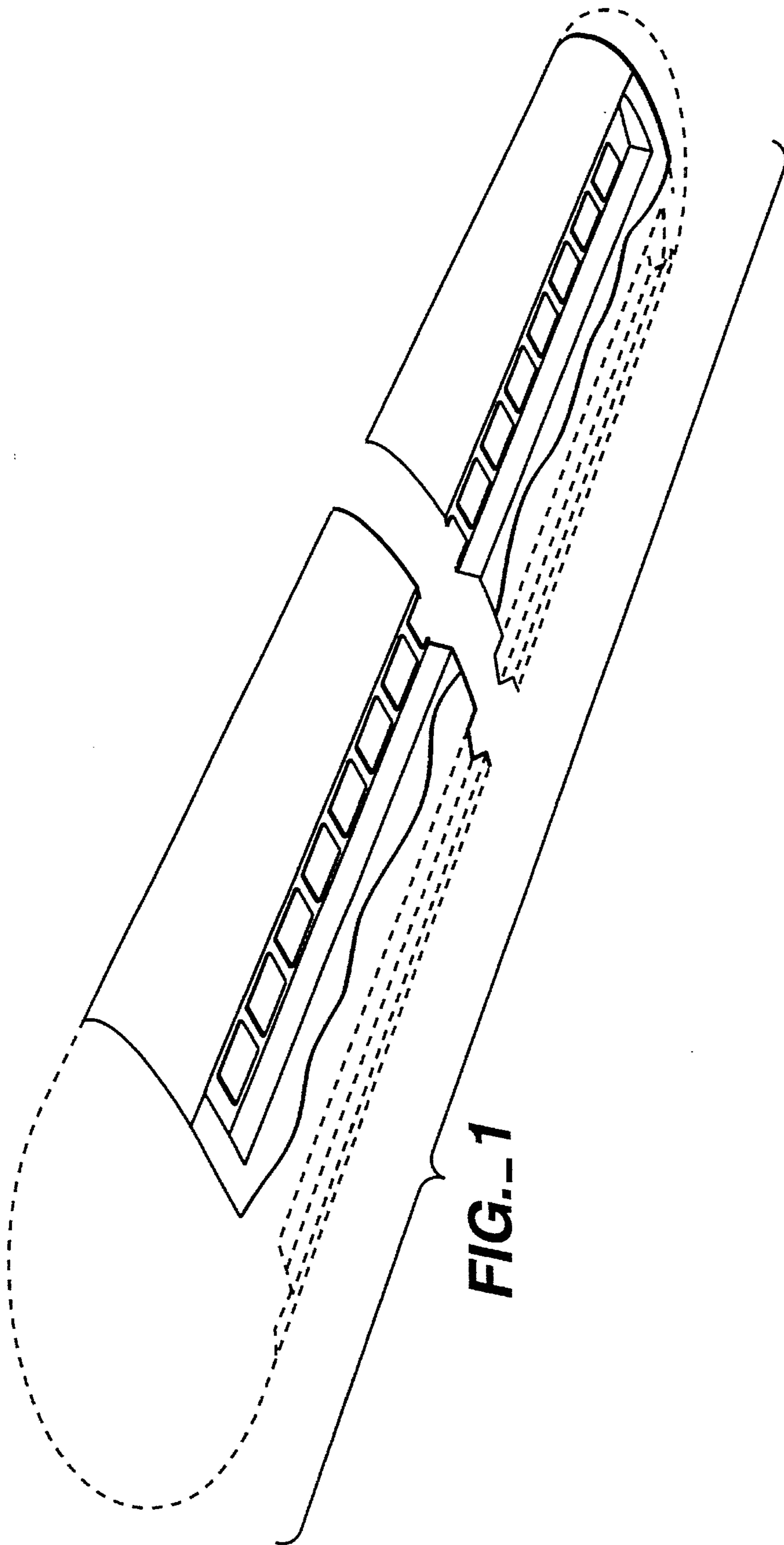


FIG.-1

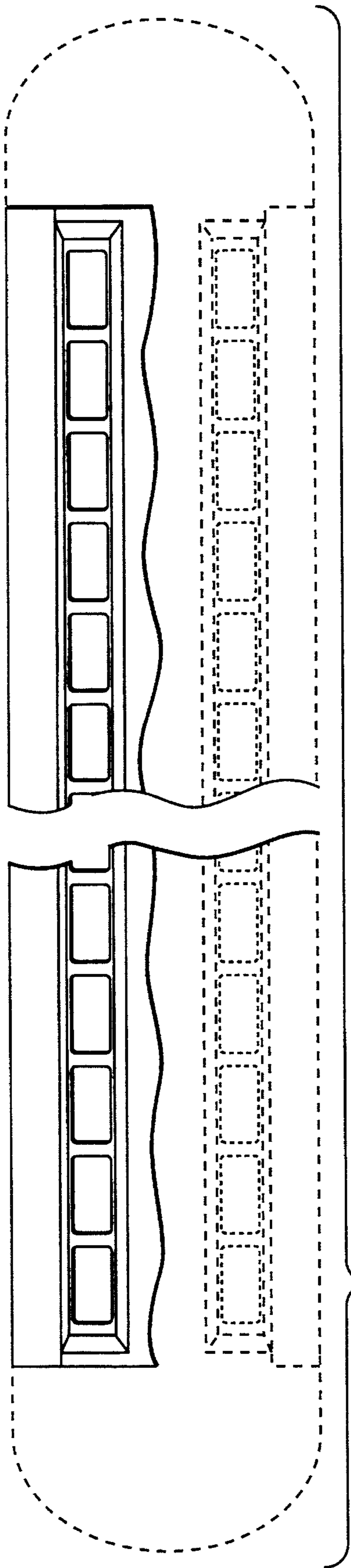
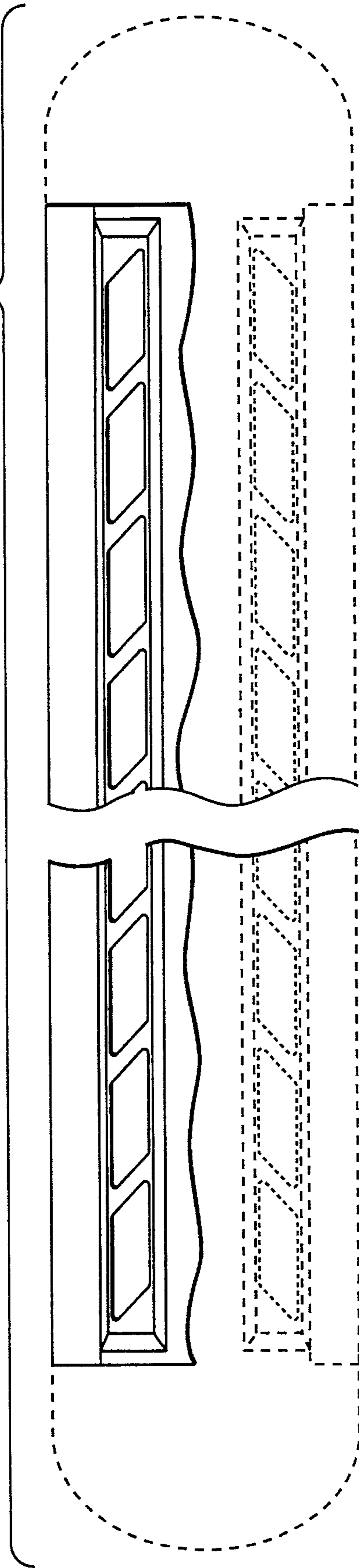


FIG. 2

FIG. 4



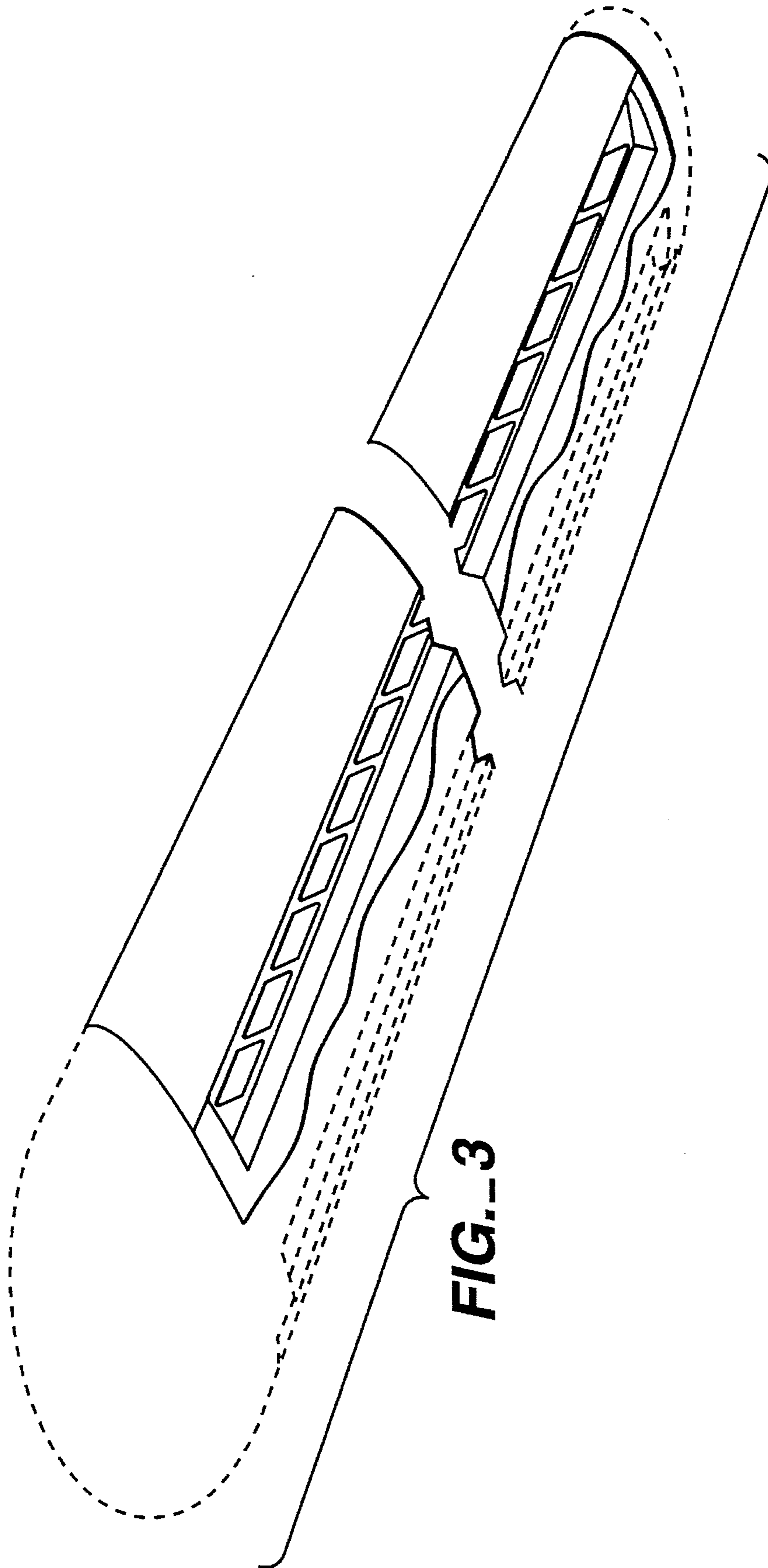


FIG. 3