



US00D365650S

United States Patent [19]

Herst et al.

[11] **Patent Number: Des. 365,650**

[45] **Date of Patent: **Dec. 26, 1995**

[54] **PORTION OF A LUMINAIRE**

[75] Inventors: **Douglas J. Herst, Ross; Utkan Salman**, Emeryville, both of Calif.

[73] Assignee: **Peerless Lighting Corporation**, Berkeley, Calif.

[**] Term: **14 Years**

[21] Appl. No.: **11,319**

[22] Filed: **Aug. 2, 1993**

[52] U.S. Cl. **D26/77**

[58] **Field of Search** D26/72, 75-92, D26/120, 121; 362/147, 404-408, 220-224, 290, 325, 342; D25/152, 153, 154, 155, 156

[56] **References Cited**

U.S. PATENT DOCUMENTS

D. 318,929	8/1991	Herst et al. .	
1,821,062	9/1931	Kausal	362/290
2,710,332	6/1955	Gogen	D26/77 X
2,874,271	2/1959	Lipscomb	D26/77 X

OTHER PUBLICATIONS

Harrington & King Perforating Co. Grills of Peforated Metal Catalog, ©1932, p. 52. Slot Grill.

Harrington & King Perforating Co. Grills of Perforated Metal Catalog, ©1932, p. 52, Diagonal Slot Grill.

Advertisement of Litecontrol Corporation for "CLASSICA" Architectural Fluorescent Lighting Fixture, Architectural Lighting, Apr./May 1993 edition.

Advertisement of Zumtobel Lighting, Inc. for fluorescent lighting fixture, Architectural Lighting, Oct./Nov. 1993 edition.

Primary Examiner—Susan J. Lucas
Attorney, Agent, or Firm—Donald L. Beeson

[57] **CLAIM**

The ornamental design for a portion of a luminaire, as shown and described.

DESCRIPTION

FIG. 1 is a fragmentary bottom perspective view of a portion of a luminaire in accordance with our new design;

FIG. 2 is a bottom plan view thereof;

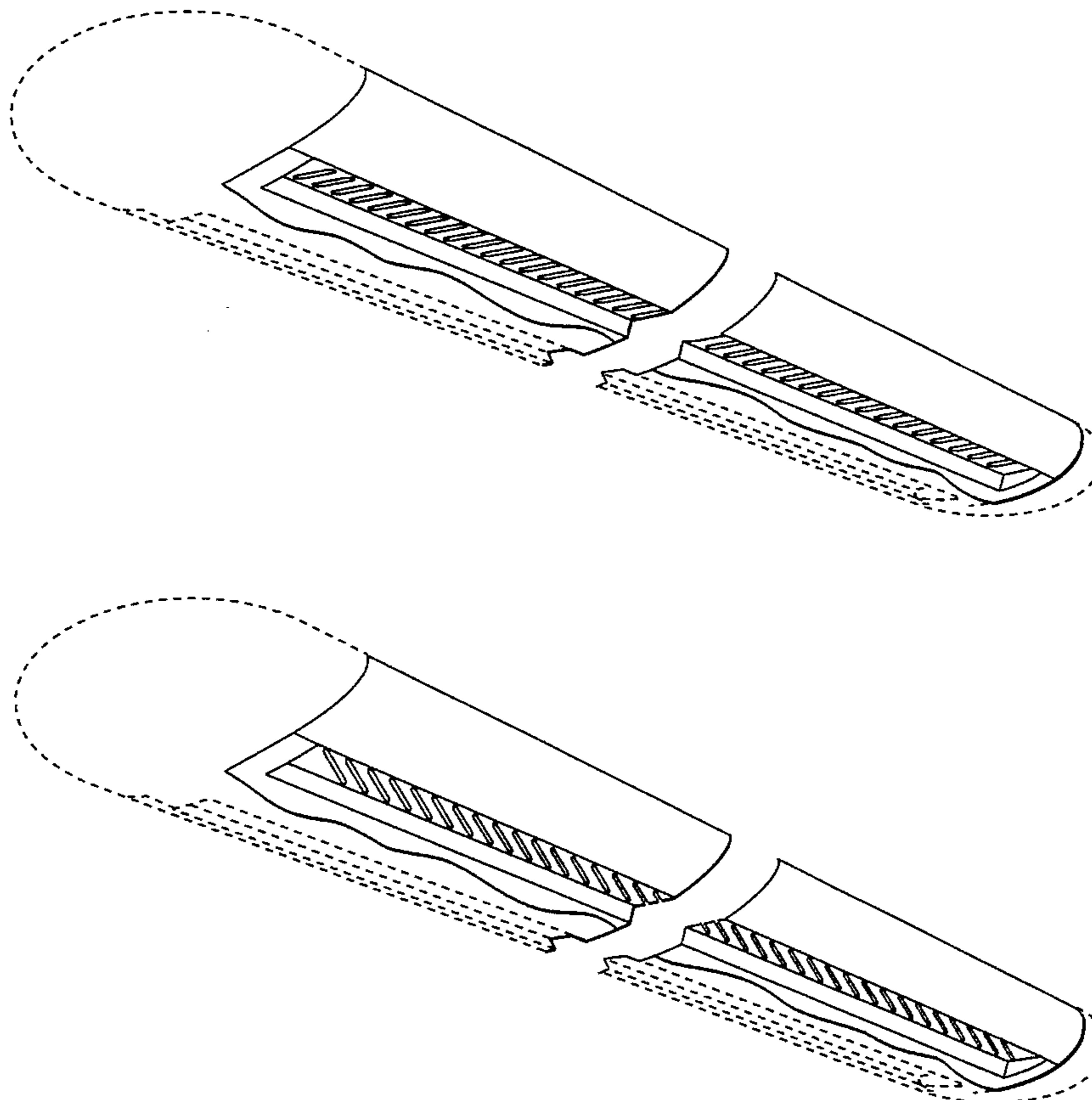
FIG. 3 is a fragmentary bottom perspective view of an alternative embodiment of a portion of a direct-indirect luminaire in accordance with our new design; and,

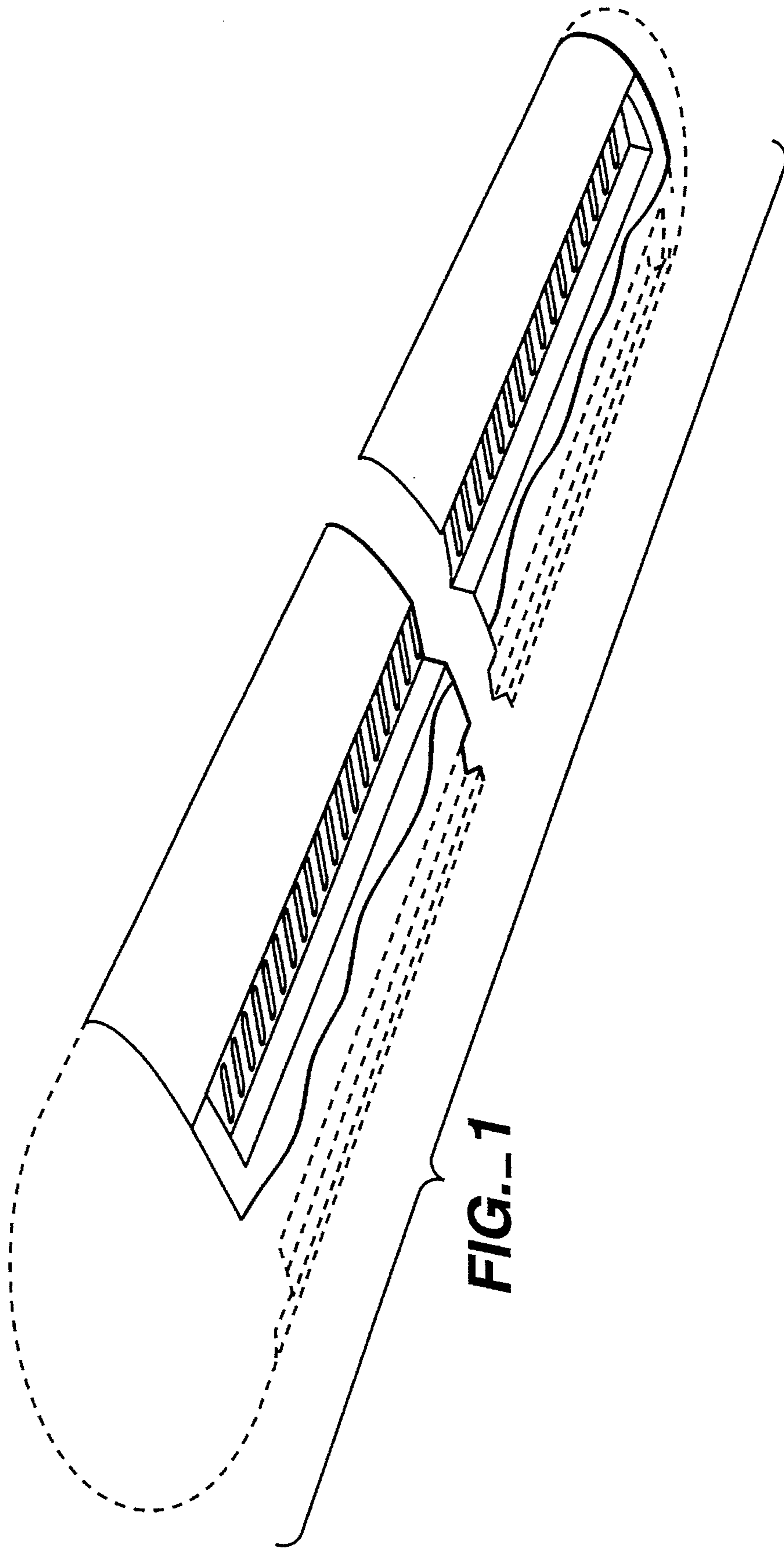
FIG. 4 is a bottom plan view thereof.

The broken lines are shown in FIGS. 1-4 for illustrative purposes only and indicate the nature and use of our new design.

The fragmentary views of FIGS. 1-4 indicate indeterminate length and show the portion of the direct-indirect luminaire considered to be our new design.

1 Claim, 4 Drawing Sheets





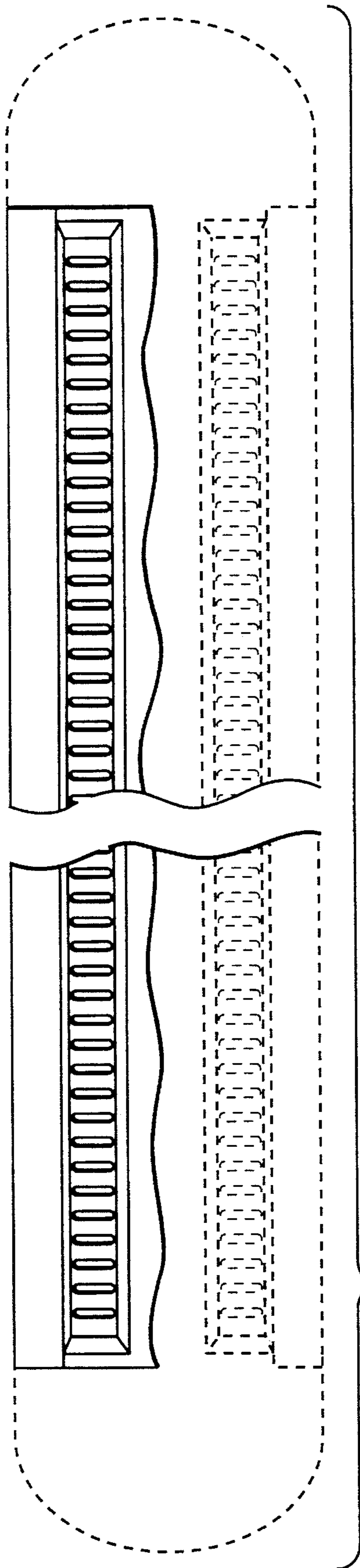
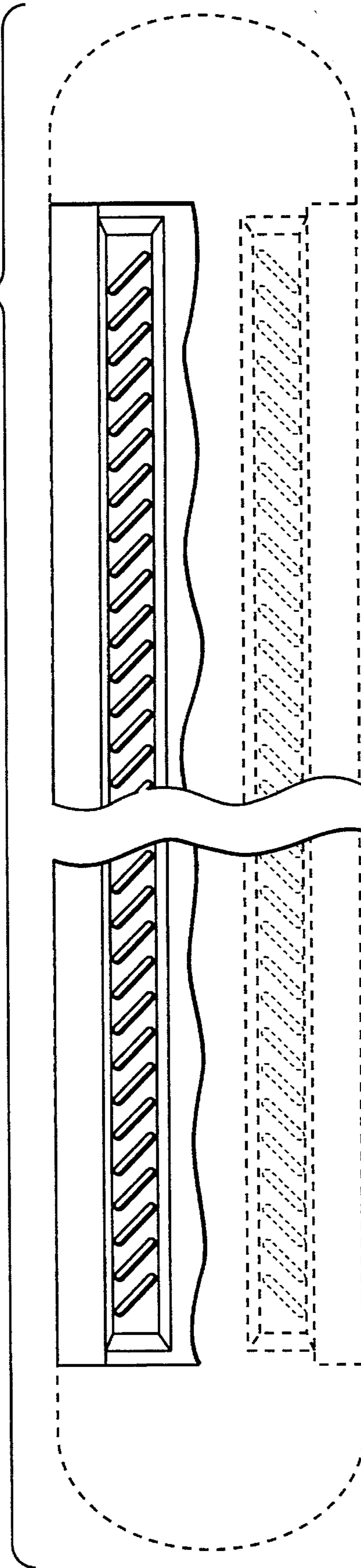


FIG. 2

FIG. 4



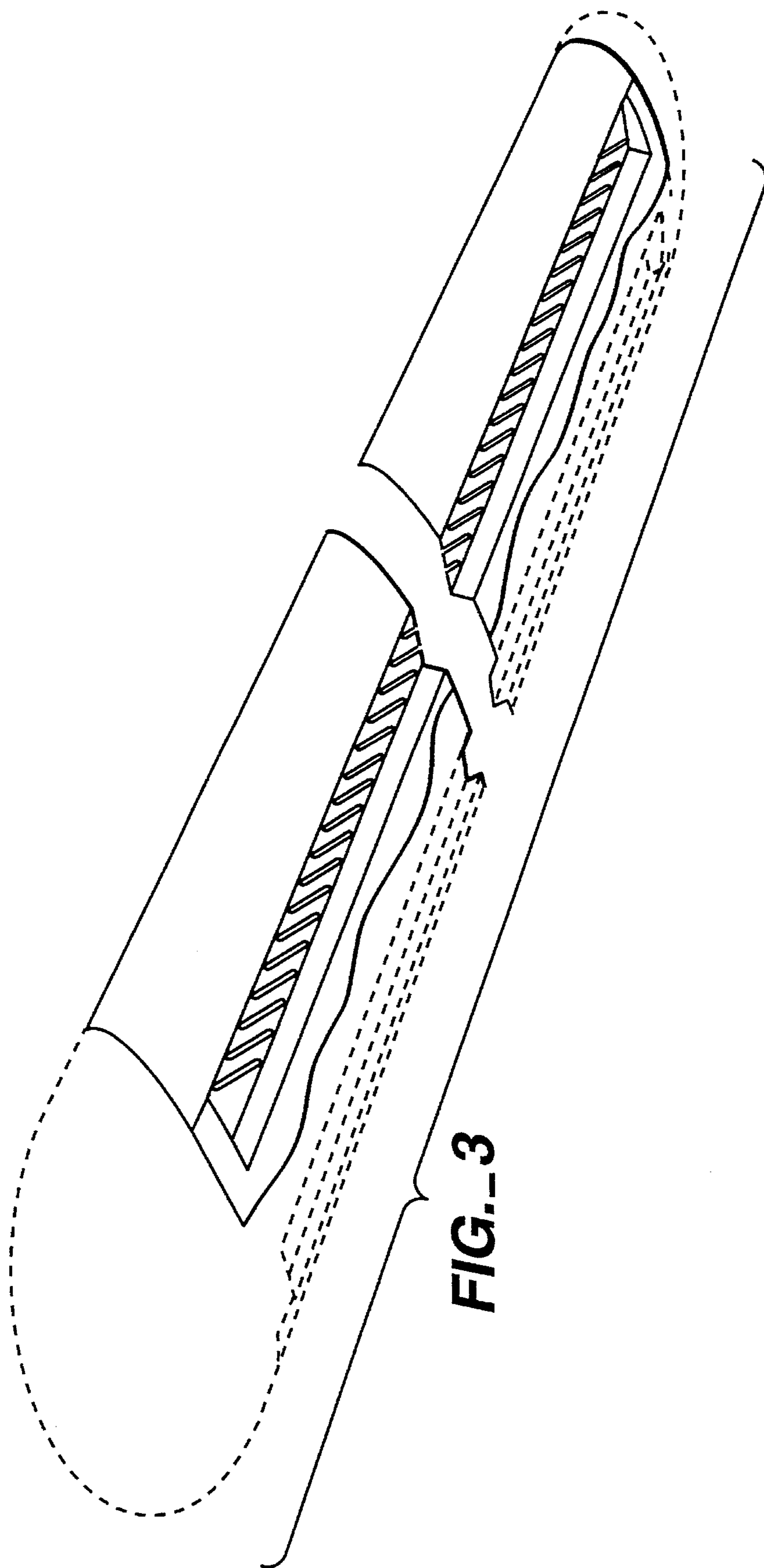


FIG. 3

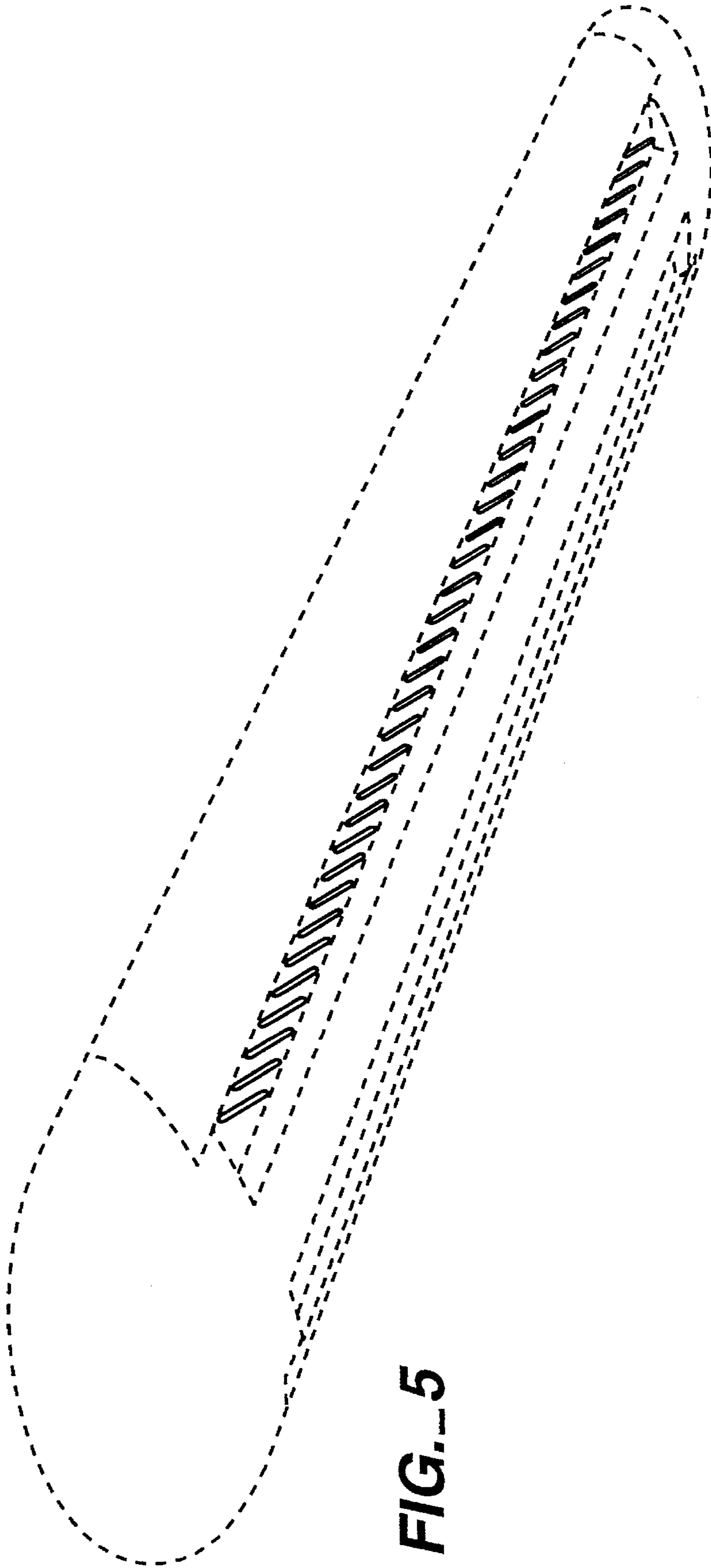


FIG. 5