



US00D365649S

# United States Patent [19]

[11] **Patent Number: Des. 365,649**

**Herst et al.**

[45] **Date of Patent: \*\*Dec. 26, 1995**

[54] **PORTION OF A LUMINAIRE**

[75] Inventors: **Douglas J. Herst, Ross; Utkan Salman**, Emeryville, both of Calif.

[73] Assignee: **Peerless Lighting Corporation**, Berkeley, Calif.

[\*\*] Term: **14 Years**

[21] Appl. No.: **11,317**

[22] Filed: **Aug. 2, 1993**

[52] **U.S. Cl.** ..... **D26/77**

[58] **Field of Search** ..... **D26/72, 75-92, D26/120, 121; 362/147, 404-408, 220-224, 290, 325, 342; D25/152-156**

[56] **References Cited**

**U.S. PATENT DOCUMENTS**

- D. 188,467 7/1960 Duncel ..... D26/76
- D. 318,929 8/1991 Herst et al. .... D26/76
- 2,218,731 10/1940 Tuck et al. .... 362/147 X

**OTHER PUBLICATIONS**

Advertisement of Litecontrol Corporation for "CLASSICA" Architectural Fluorescent Lighting Fixture, Architectural Lighting, Apr./May 1993 edition.

Advertisement of Zumtobel Lighting, Inc. for fluorescent lighting fixture, Architectural Lighting, Oct./Nov. 1993 edition.

Harrington & King Perforating Co. Grills of Perforated Metal Catalog ©1932, p. 5, Round Perforation Panel-Indented.

*Primary Examiner*—Susan J. Lucas  
*Attorney, Agent, or Firm*—Donald L. Beeson

[57] **CLAIM**

The ornamental design for a portion of a luminaire, as shown and described.

**DESCRIPTION**

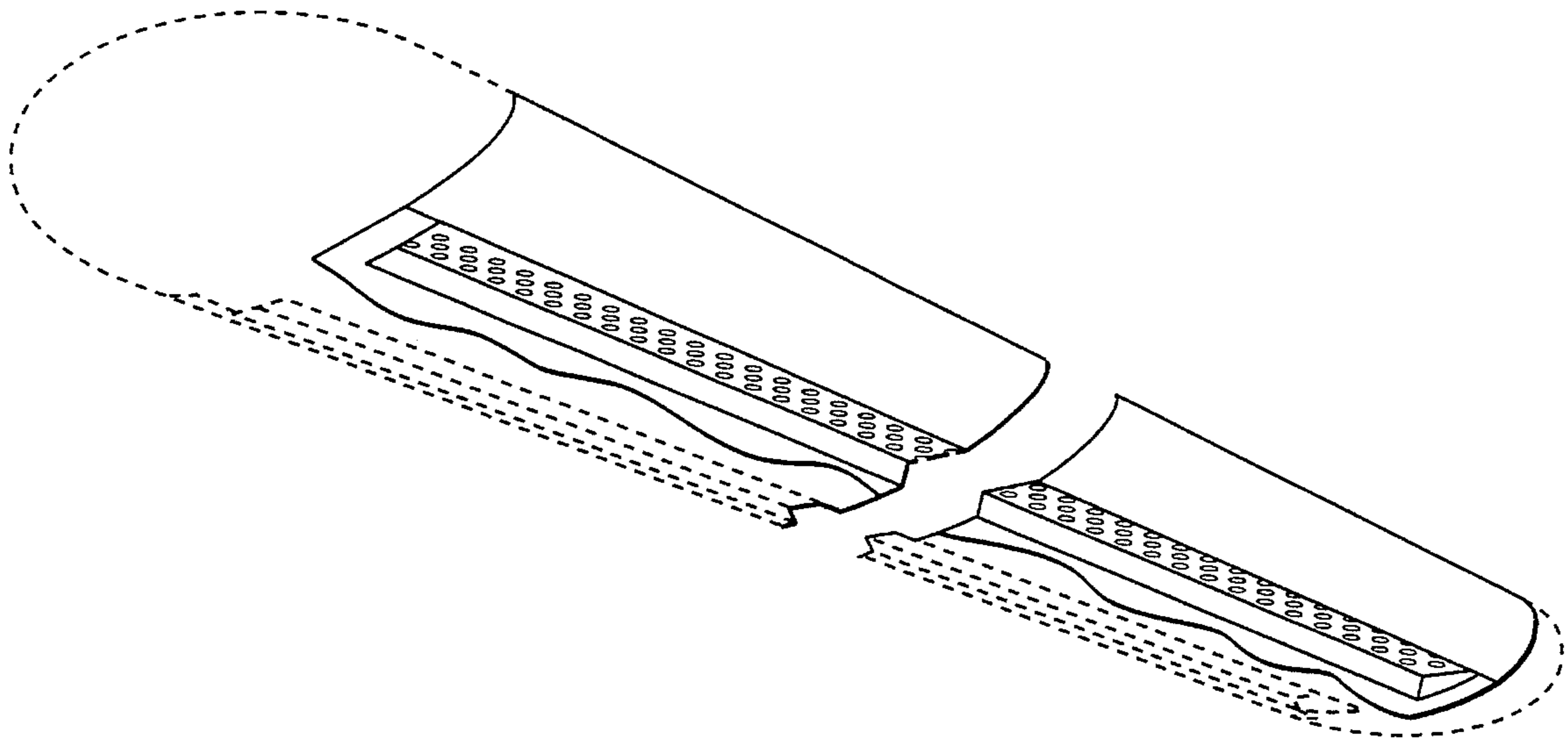
FIG. 1 is a fragmentary bottom perspective view of a portion of a direct-indirect luminaire in accordance with our new design; and,

FIG. 2 is a bottom plan view thereof.

The broken lines are shown in FIGS. 1-4 for illustrative purposes only, and indicate the nature and use of our new design.

The fragmentary views of FIGS. 1-2 indicate indeterminate length and show the portion of the direct-indirect luminaire considered to be our new design.

**1 Claim, 2 Drawing Sheets**



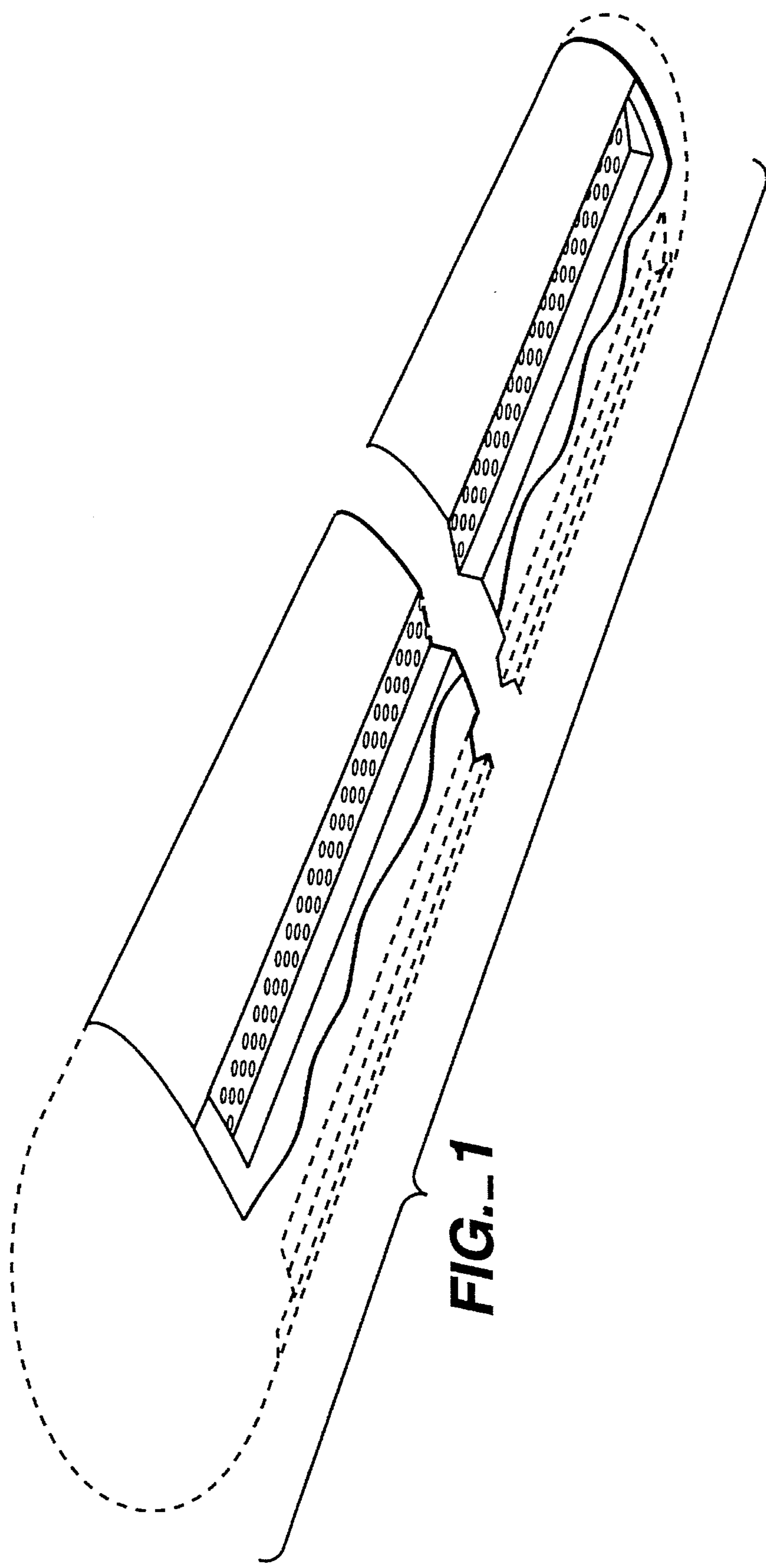


FIG. 1

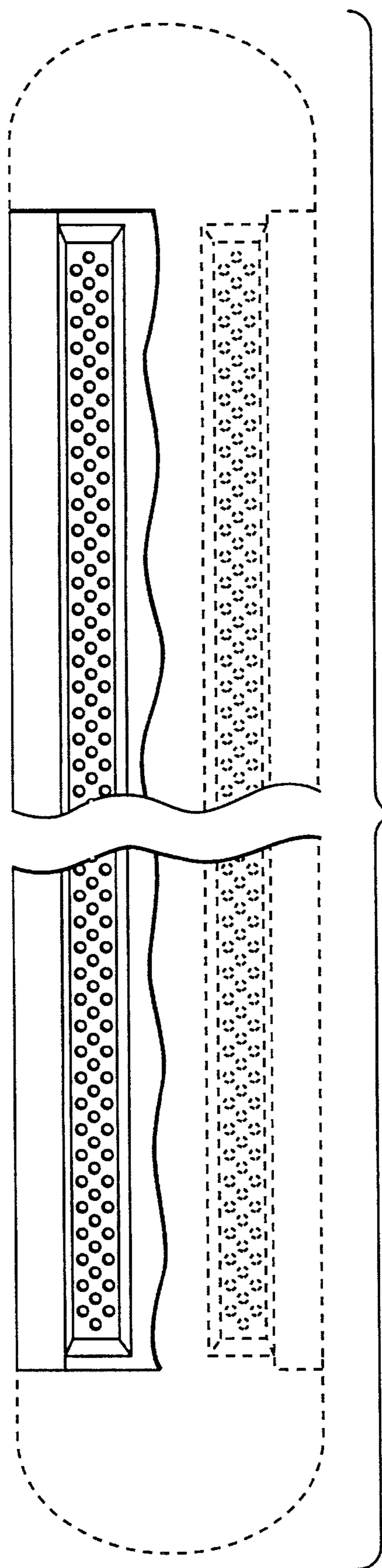


FIG.-2