



US00D365648S

United States Patent [19]
Yuen

[11] **Patent Number: Des. 365,648**
[45] **Date of Patent: **Dec. 26, 1995**

[54] **ADJUSTABLE DESK LAMP**

[75] Inventor: **Se Kit Yuen**, Kowloon, Hong Kong

[73] Assignee: **John Manufacturing Limited**,
Kowloon, Hong Kong

[**] Term: **14 Years**

[21] Appl. No.: **17,401**

[22] Filed: **Jan. 12, 1994**

[30] **Foreign Application Priority Data**

Nov. 5, 1993 [GB] United Kingdom 2035011

[52] U.S. Cl. **D26/65**

[58] Field of Search D26/60, 61, 63,
D26/64, 65, 66; 362/269, 275, 410, 414,
418, 419, 427

[56] **References Cited**

U.S. PATENT DOCUMENTS

D. 341,672 11/1993 Yuen D26/65
D. 345,810 4/1984 Yuen D26/65

OTHER PUBLICATIONS

B.A. Pargh Catalog, p. 216, Maximizer Task Light.

Primary Examiner—Susan J. Lucas
Attorney, Agent, or Firm—Merchant, Gould, Smith, Edell,
Welter & Schmidt

[57] **CLAIM**

The ornamental design for an adjustable desk lamp, as shown and described.

DESCRIPTION

FIG. 1 is a front elevational view of an adjustable desk lamp according to the new design;

FIG. 2 is a rear elevational view thereof;

FIG. 3 is a right side elevational view thereof, it being understood that the left side is a mirror image thereof;

FIG. 4 is a top plan view thereof; and,

FIG. 5 is a bottom plan view thereof.

1 Claim, 4 Drawing Sheets

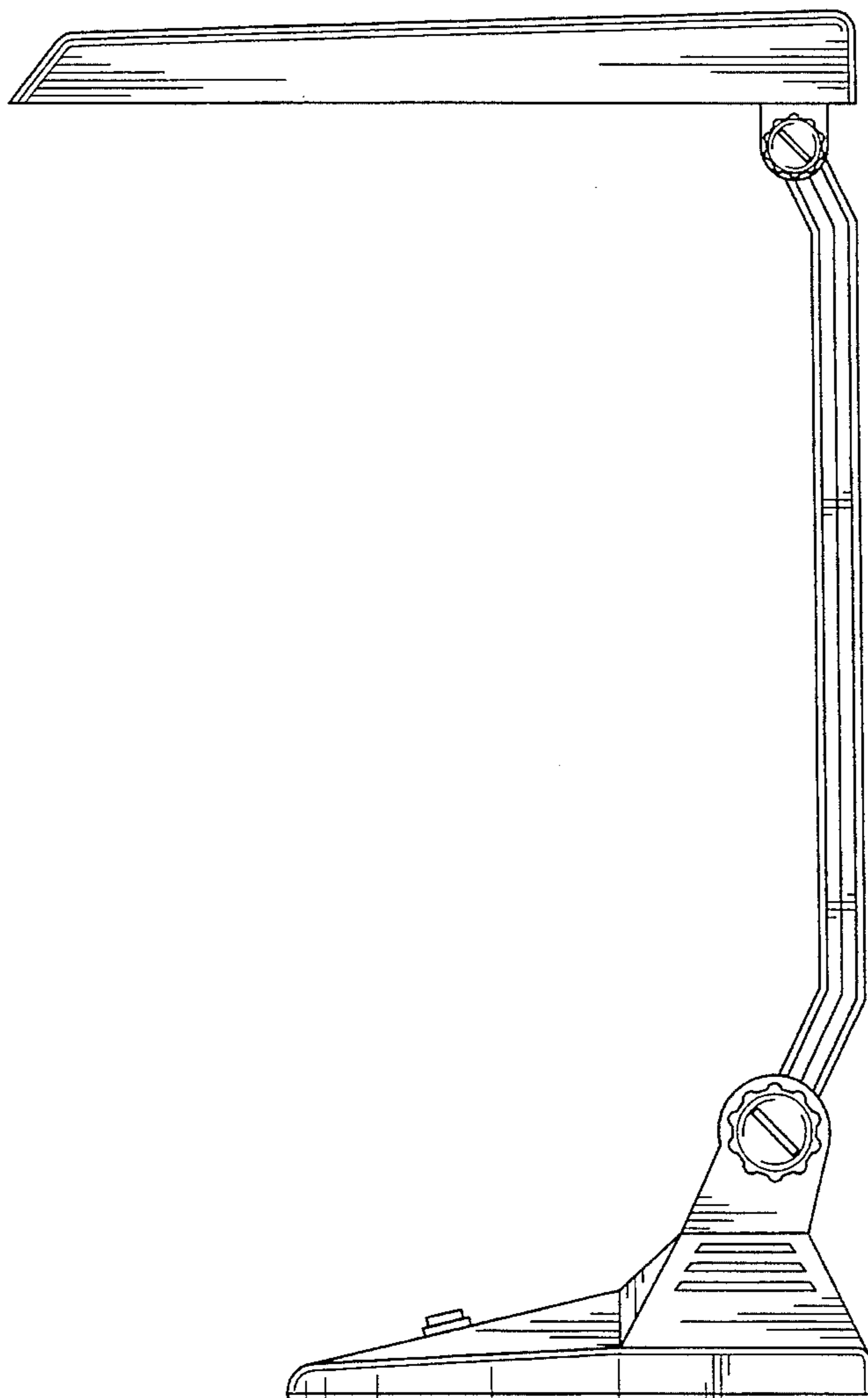
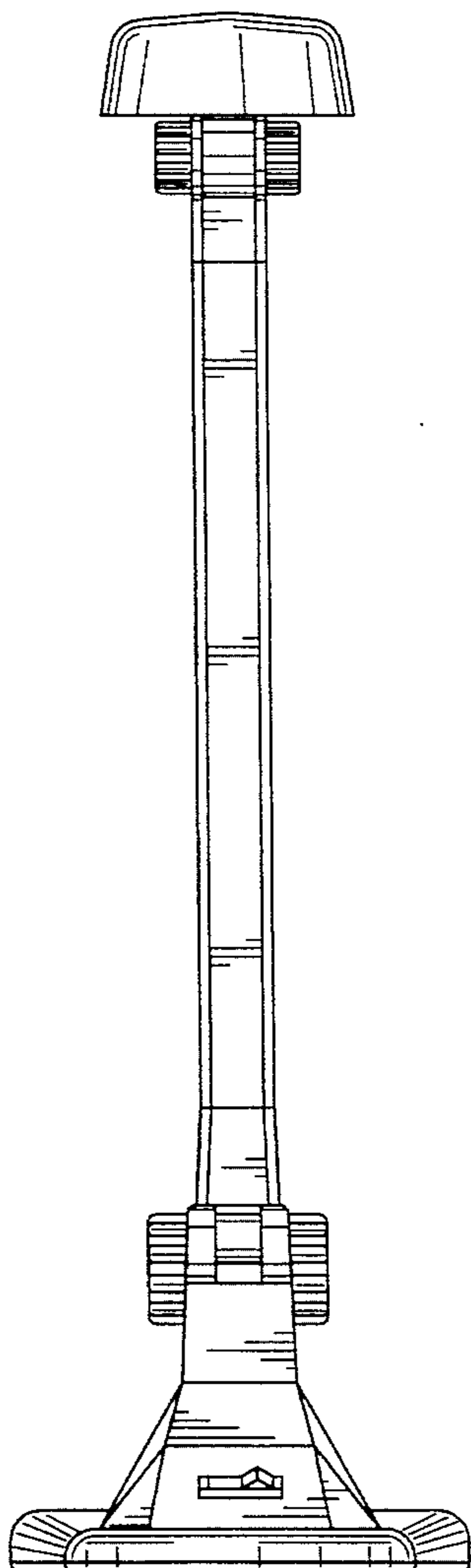


FIG. 1

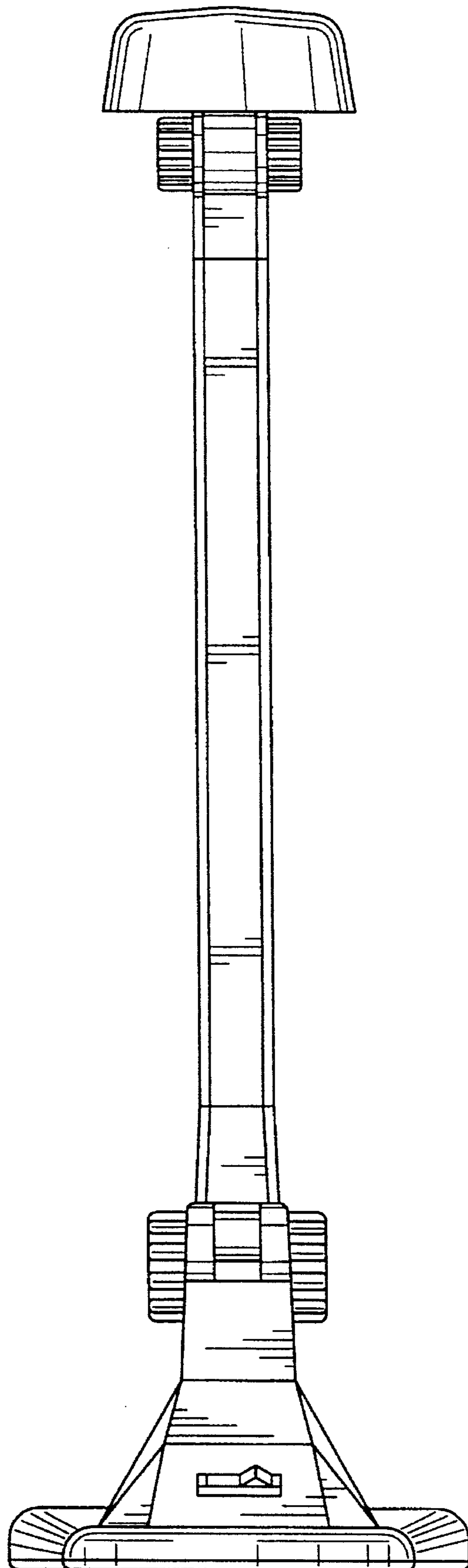


FIG. 2

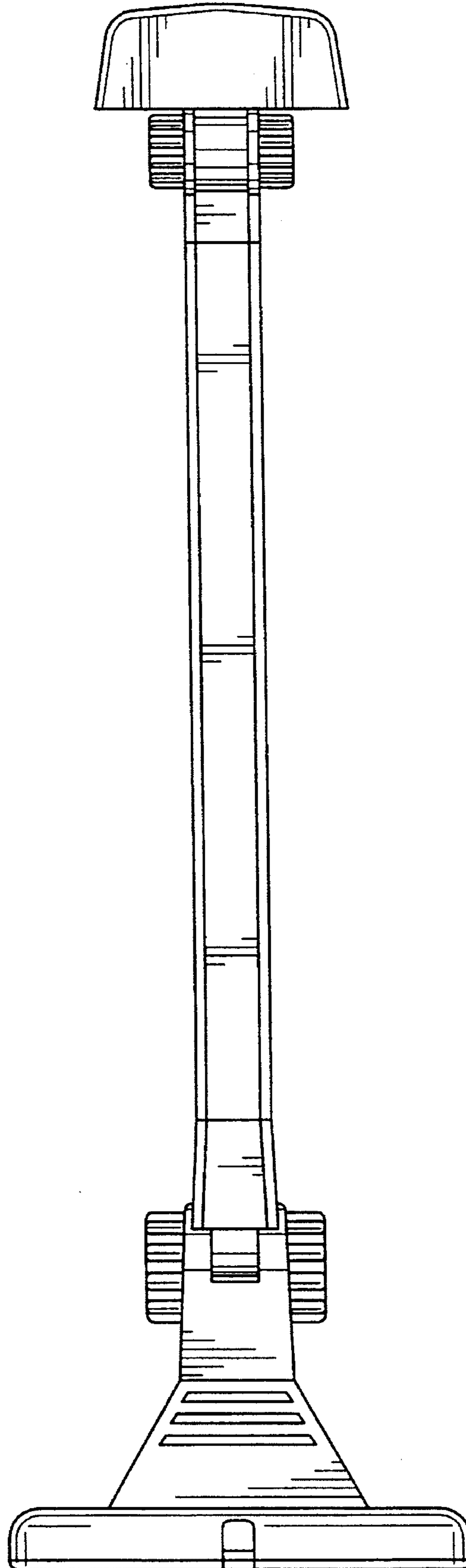


FIG. 3

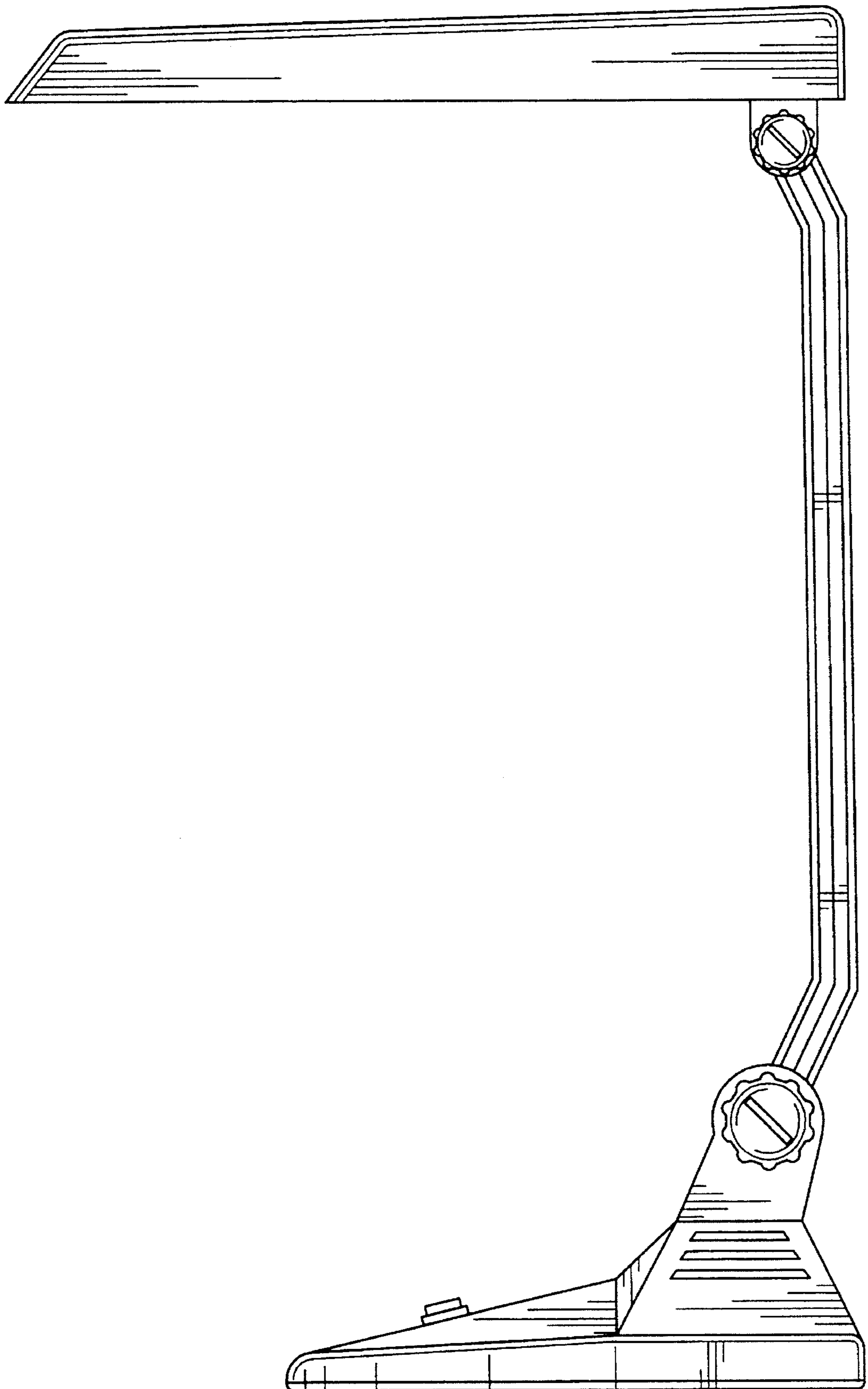


FIG. 4

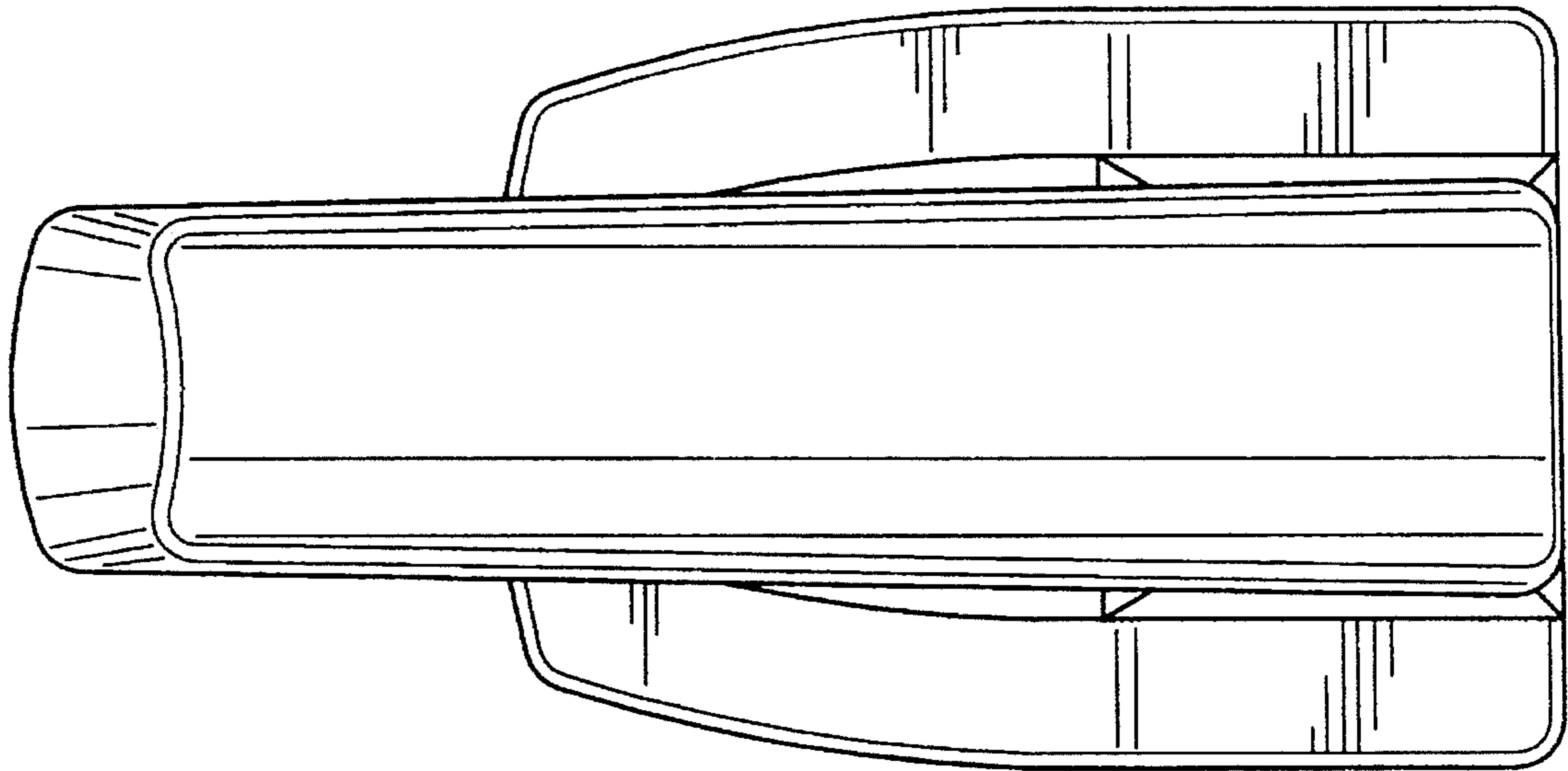


FIG. 5

