



US00D365641S

# United States Patent [19]

Taylor et al.

[11] Patent Number: **Des. 365,641**

[45] Date of Patent: **\*\*Dec. 26, 1995**

[54] **FINGERTIP PULSE MASSAGER**

[75] Inventors: **Charles Taylor**, San Rafael; **George Oyama**, Escondido, both of Calif.

[73] Assignee: **Sharp Image Corporation**, San Francisco, Calif.

[\*\*] Term: **14 Years**

[21] Appl. No.: **24,116**

[22] Filed: **Jun. 8, 1994**

[52] U.S. Cl. .... **D24/215**

[58] Field of Search ..... D24/214, 200, D24/215; 601/70, 99, 113, 116, 134, 137, 154, 46, 48, 79, 81

2,644,446 7/1953 Viniestra ..... 128/41  
 2,918,055 12/1959 Boerger ..... 128/41  
 3,149,629 9/1964 Katz ..... 128/44  
 3,623,481 11/1971 Curran ..... 128/36  
 4,116,233 9/1978 Scaduto ..... 601/46  
 5,070,862 12/1991 Berlant ..... 128/24.5

*Primary Examiner*—Stella Reid  
*Attorney, Agent, or Firm*—Flehr, Hohbach, Test, Albritton & Herbert

## [57] CLAIM

The ornamental design for a fingertip pulse massager, as shown and described.

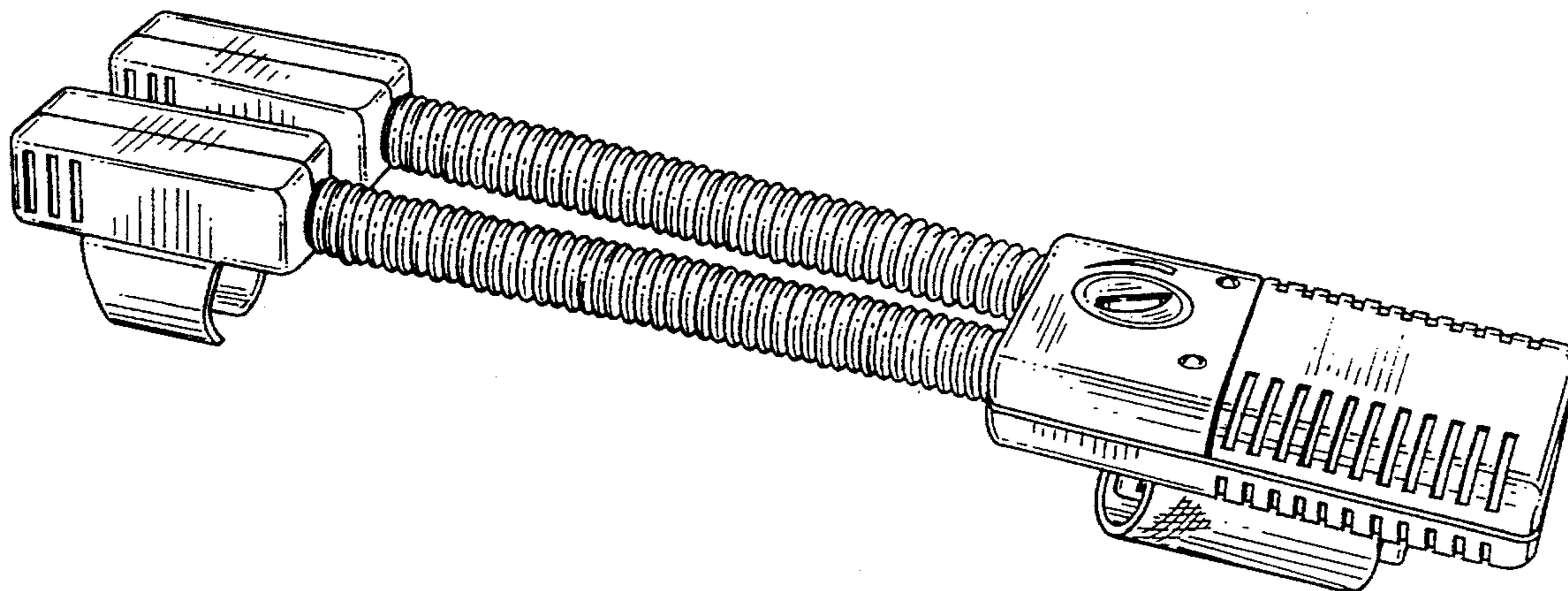
## DESCRIPTION

FIG. 1 is a perspective view of a fingertip pulse massager;  
 FIG. 2 is a top view;  
 FIG. 3 is a right side elevational view;  
 FIG. 4 is a left side elevational view;  
 FIG. 5 is a rear view;  
 FIG. 6 is a front view; and,  
 FIG. 7 is a bottom view.

1 Claim, 2 Drawing Sheets

[56] **References Cited**  
 U.S. PATENT DOCUMENTS

1,498,680 6/1924 Clement et al. .  
 1,818,287 8/1931 Wahl ..... 601/79  
 1,918,458 7/1933 Dremel ..... 601/79  
 2,181,282 11/1939 Oster ..... 128/36



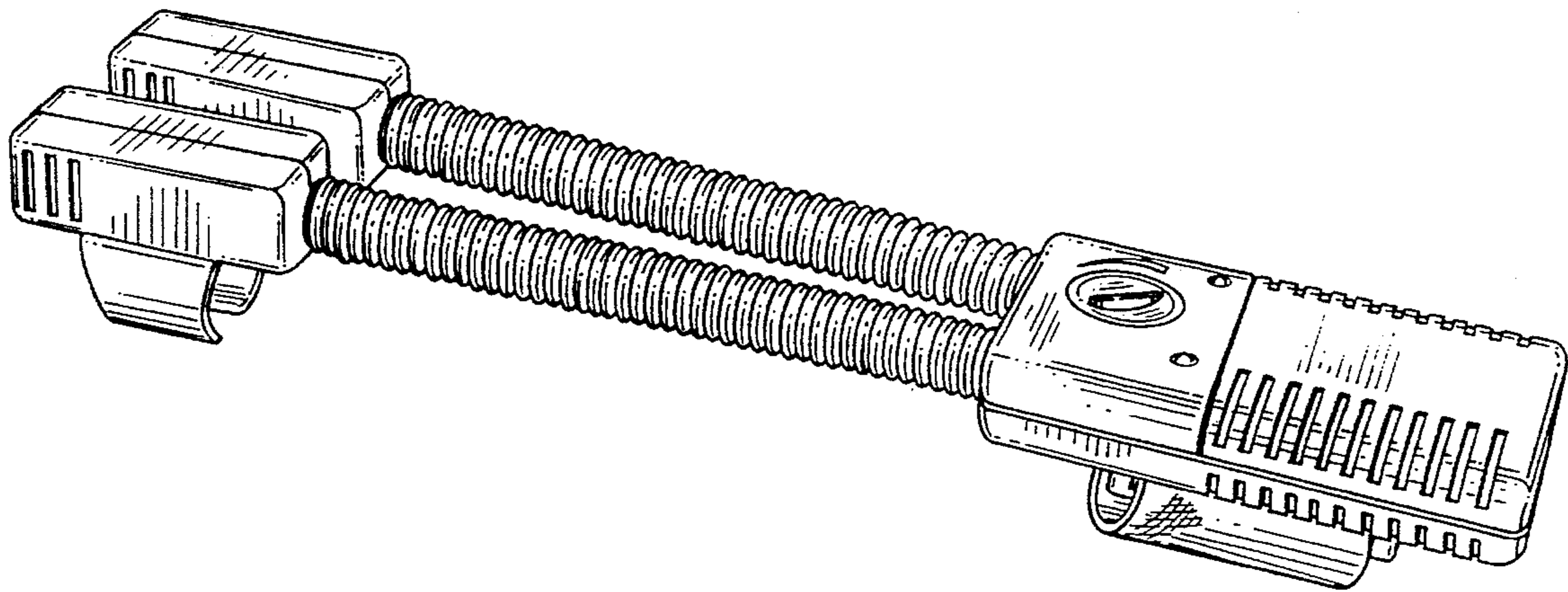


FIG. 1

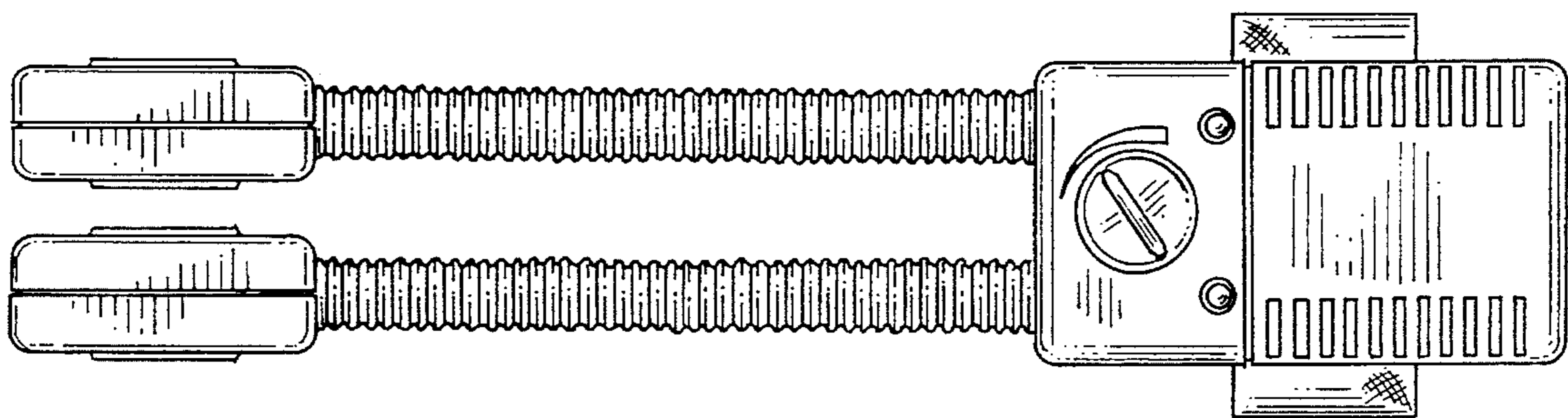


FIG. 2

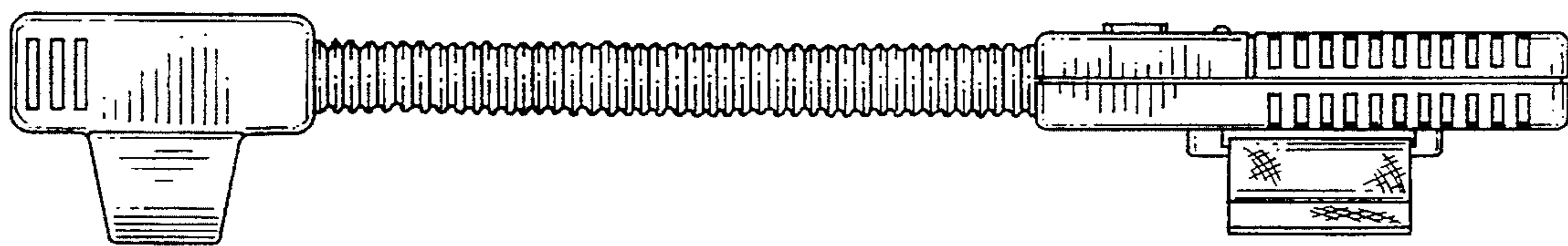


FIG. 3

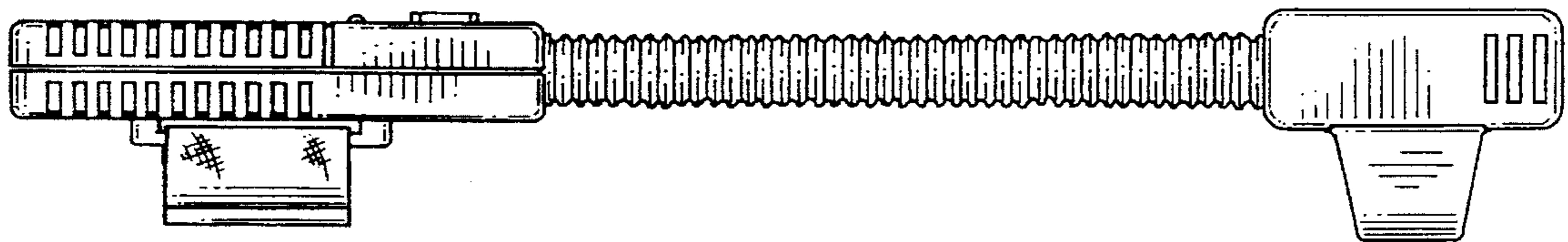


FIG. 4

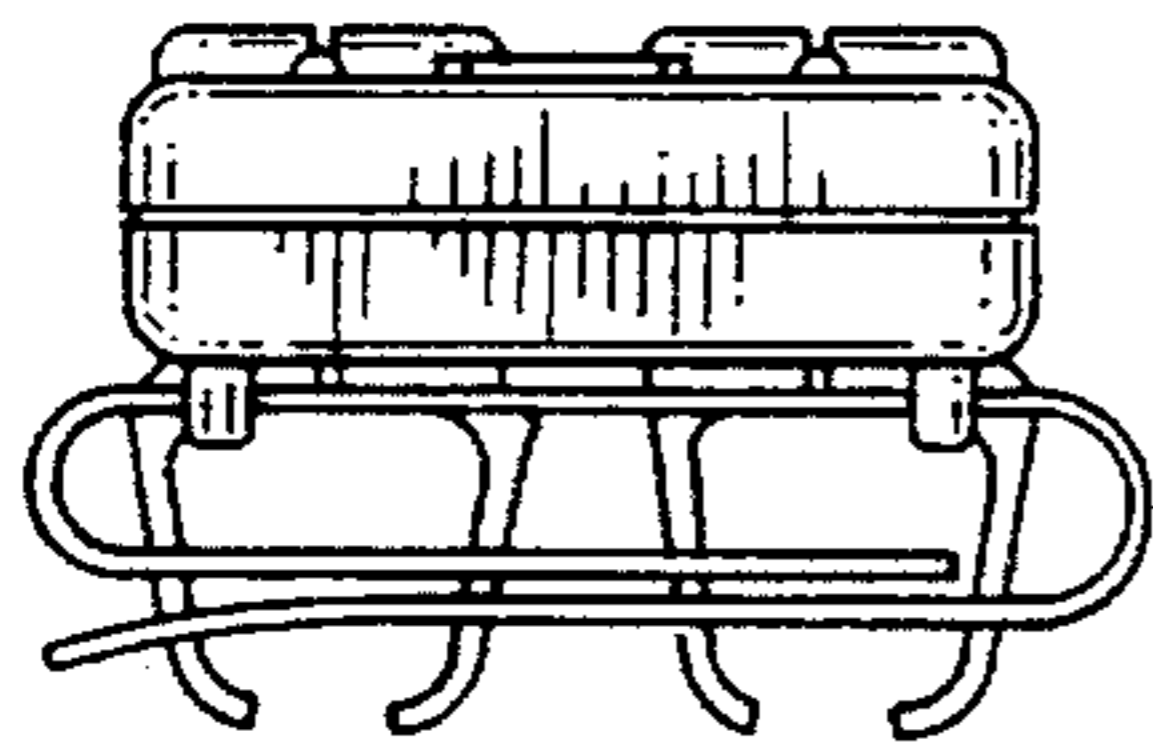


FIG. 5

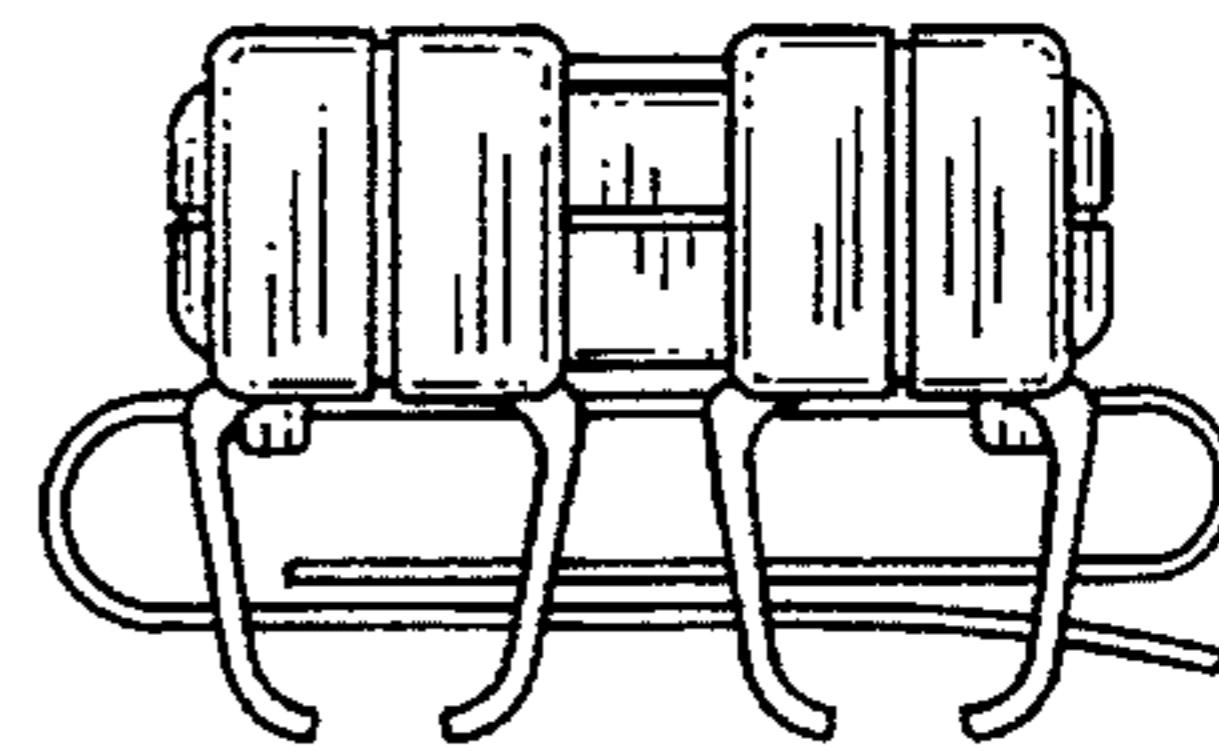


FIG. 6

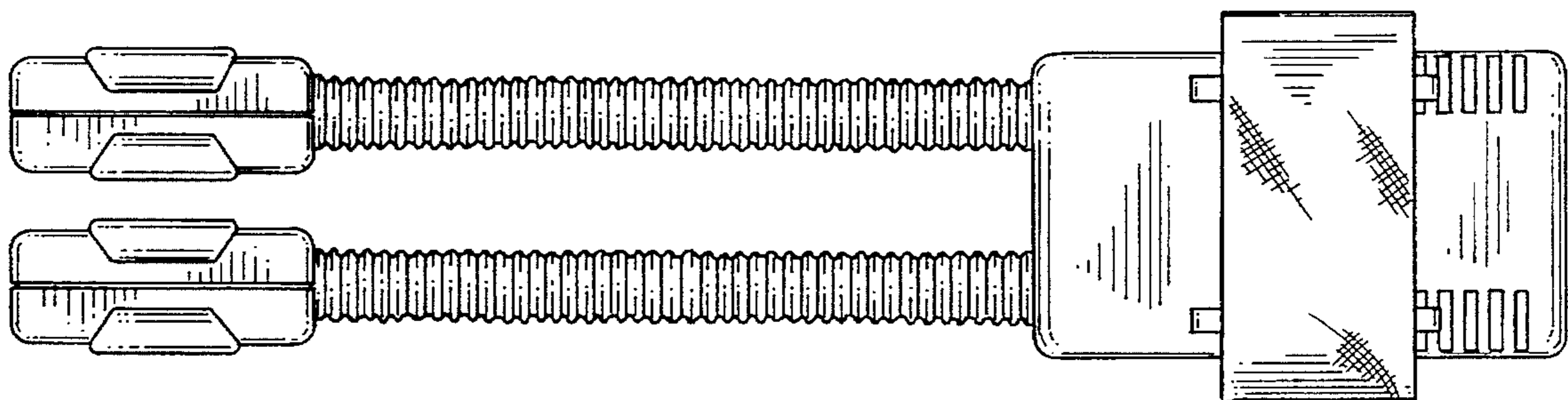


FIG. 7

UNITED STATES PATENT AND TRADEMARK OFFICE  
**CERTIFICATE OF CORRECTION**

PATENT NO. : Des. 365,641  
DATED : December 26, 1995  
INVENTOR(S) : Taylor et al.

It is certified that error appears in the above-identified patent and that said Letters Patent is hereby corrected as shown below:

On the title page, item [73], delete "Sharp" and insert --Sharper--.

Signed and Sealed this  
Nineteenth Day of March, 1996

Attest:



BRUCE LEHMAN

Attesting Officer

Commissioner of Patents and Trademarks