



US00D365633S

# United States Patent [19]

Walker

[11] Patent Number: **Des. 365,633**

[45] Date of Patent: **\*\*Dec. 26, 1995**

[54] **SYRINGE HOLDER**

[76] Inventor: **Joseph H. Walker**, 54 Riverview Park,  
Harpers Ferry, W. Va. 25425

[\*\*] Term: **14 Years**

[21] Appl. No.: **18,568**

[22] Filed: **Feb. 9, 1994**

[52] U.S. Cl. .... **D24/130**

[58] Field of Search ..... D24/130, 131;  
604/180, 162, 163, 192, 304, 305, 307,  
308, 189; 128/DIG. 26; 206/362.4, 364,  
363, 365, 367

[56] **References Cited**

**U.S. PATENT DOCUMENTS**

4,524,868	6/1985	Buckley et al. ....	206/364
4,758,229	7/1988	Doerschner .....	206/365 X
4,859,515	8/1989	Potheses .....	206/365 X
4,875,896	10/1989	Kurtz .....	206/365 X
5,024,326	6/1991	Sandel et al. ....	206/363 X

*Primary Examiner*—Louis S. Zarfes  
*Assistant Examiner*—I. Simmons  
*Attorney, Agent, or Firm*—H. Jay Spiegel

[57] **CLAIM**

The ornamental design for a syringe holder, as shown and described.

**DESCRIPTION**

FIG. 1 is a perspective view of a syringe holder showing my new design, in open condition;  
FIG. 2 shows a side view of the present invention, in closed position;  
FIG. 3 shows the other side view of the present invention;  
FIG. 4 shows a top view of the present invention;  
FIG. 5 shows a bottom view of the present invention;  
FIG. 6 shows a front view of the present invention; and,  
FIG. 7 shows a rear view of the present invention.

**1 Claim, 2 Drawing Sheets**

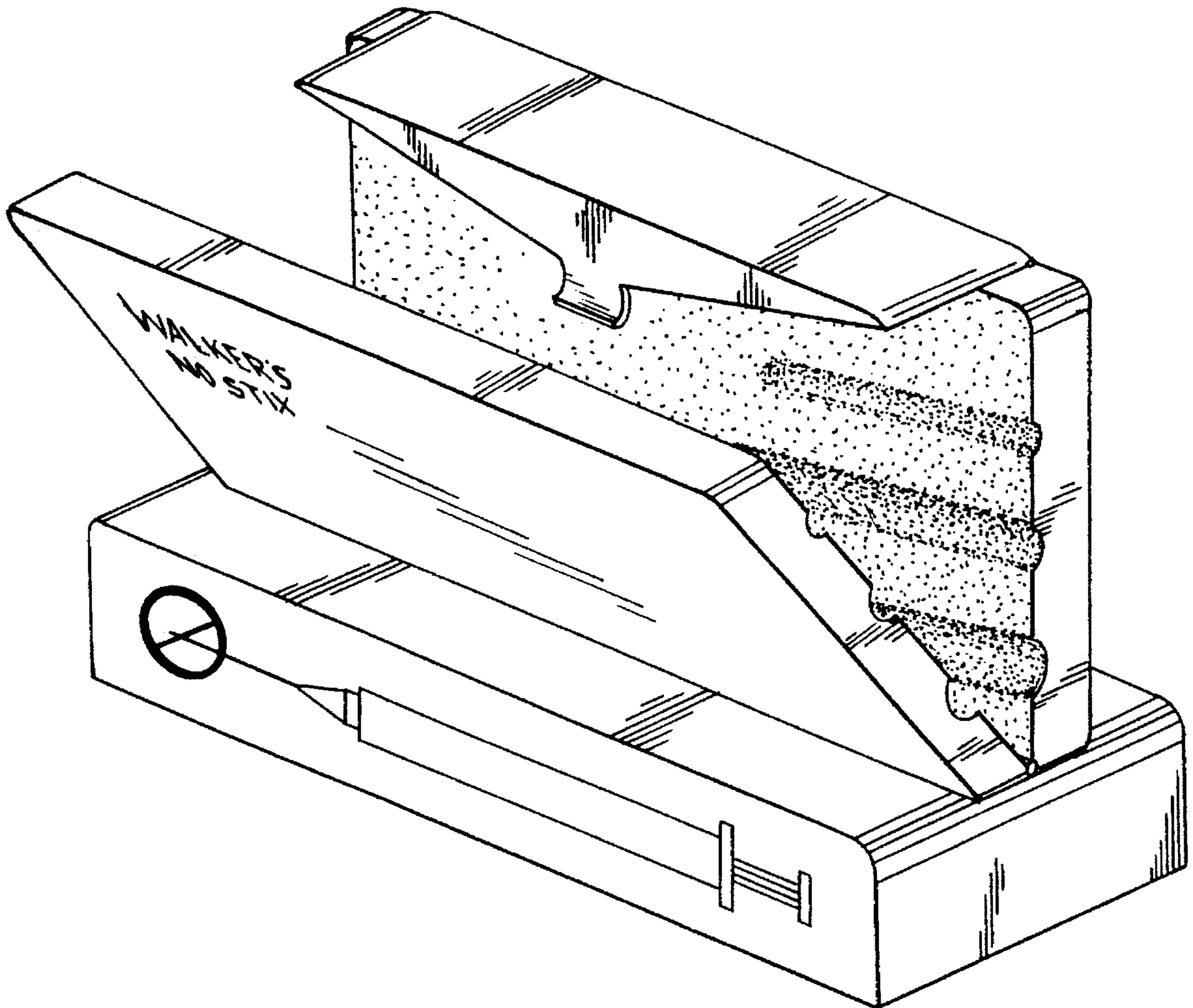


FIG. 1

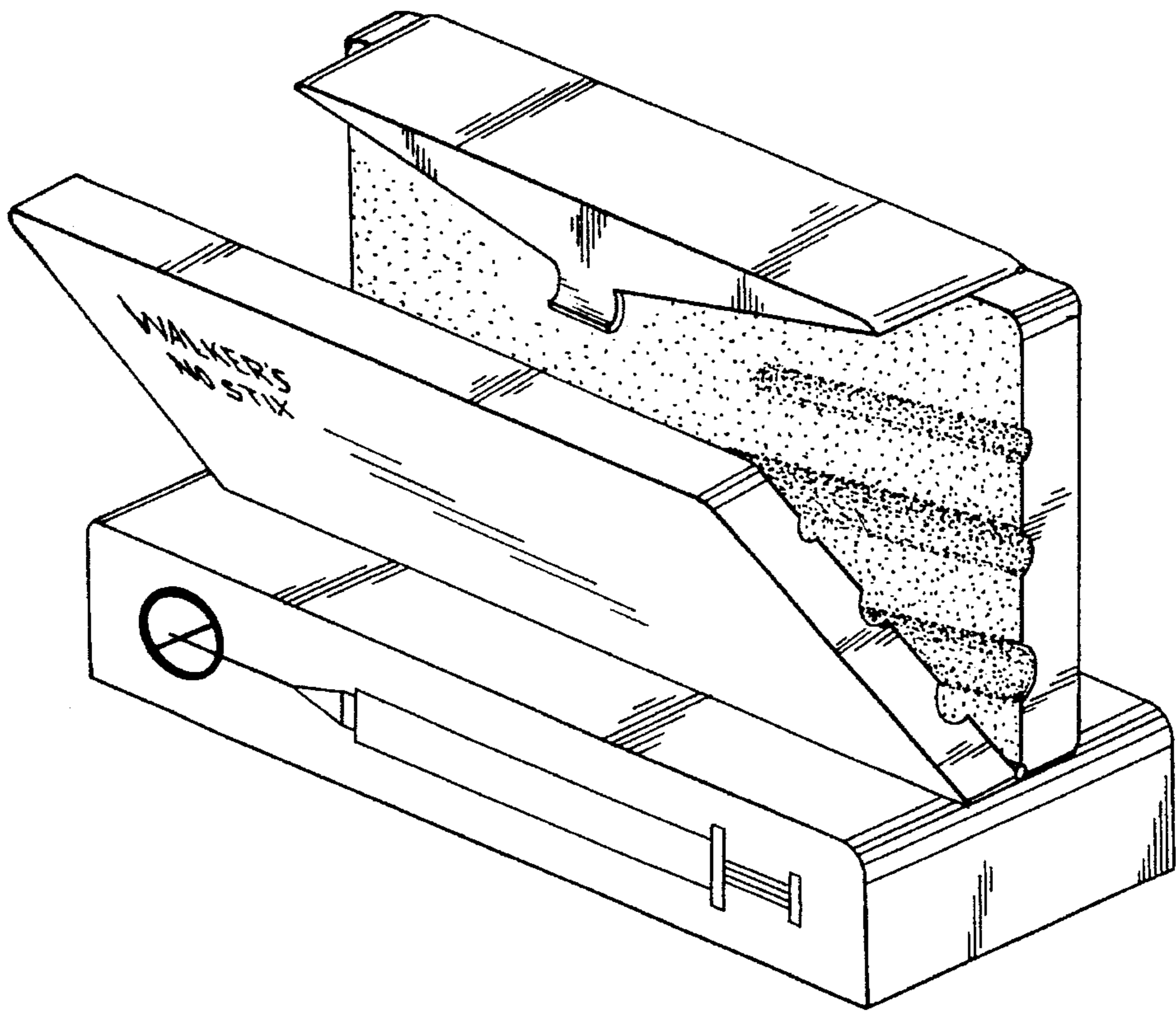


FIG. 2

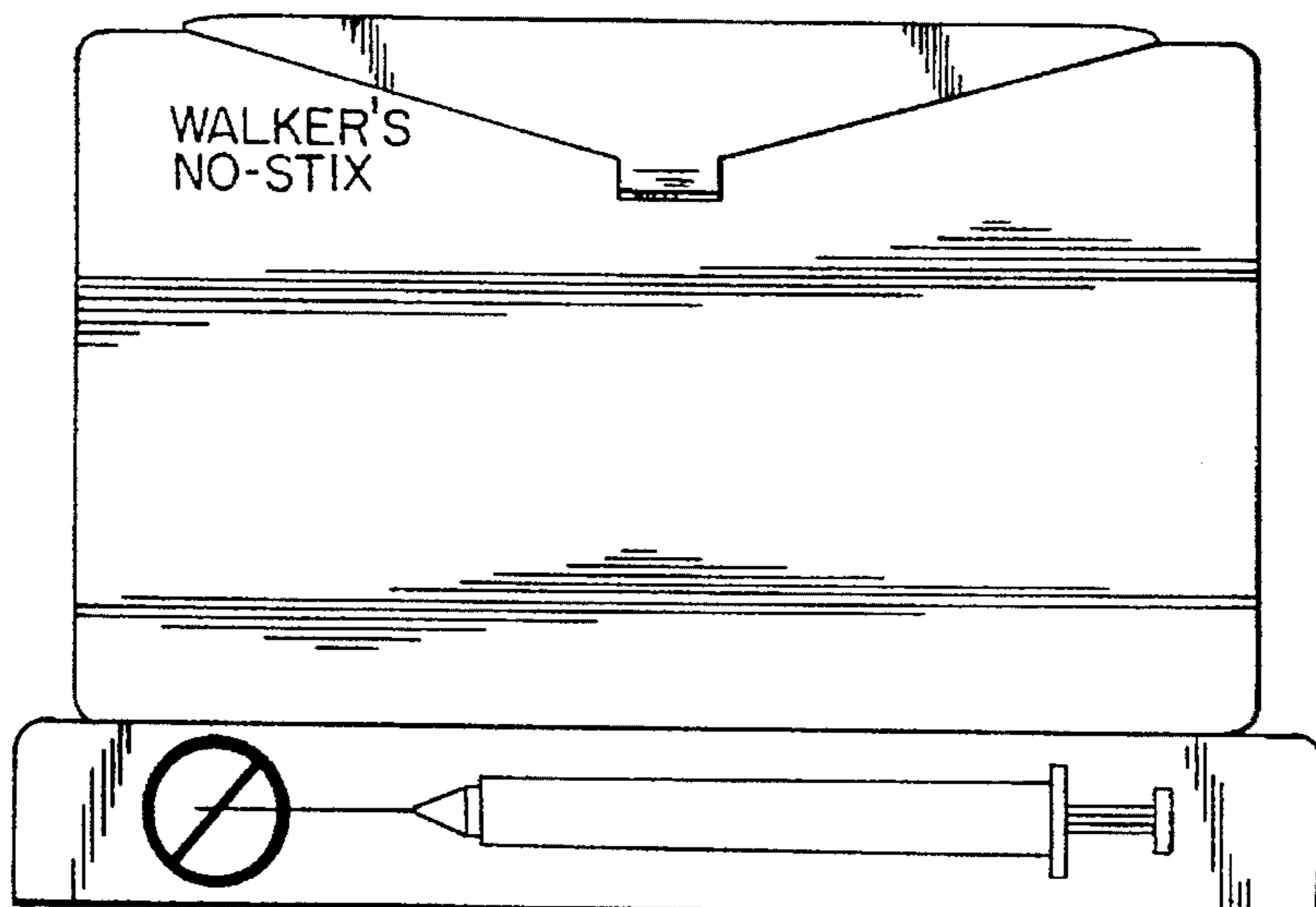


FIG. 3

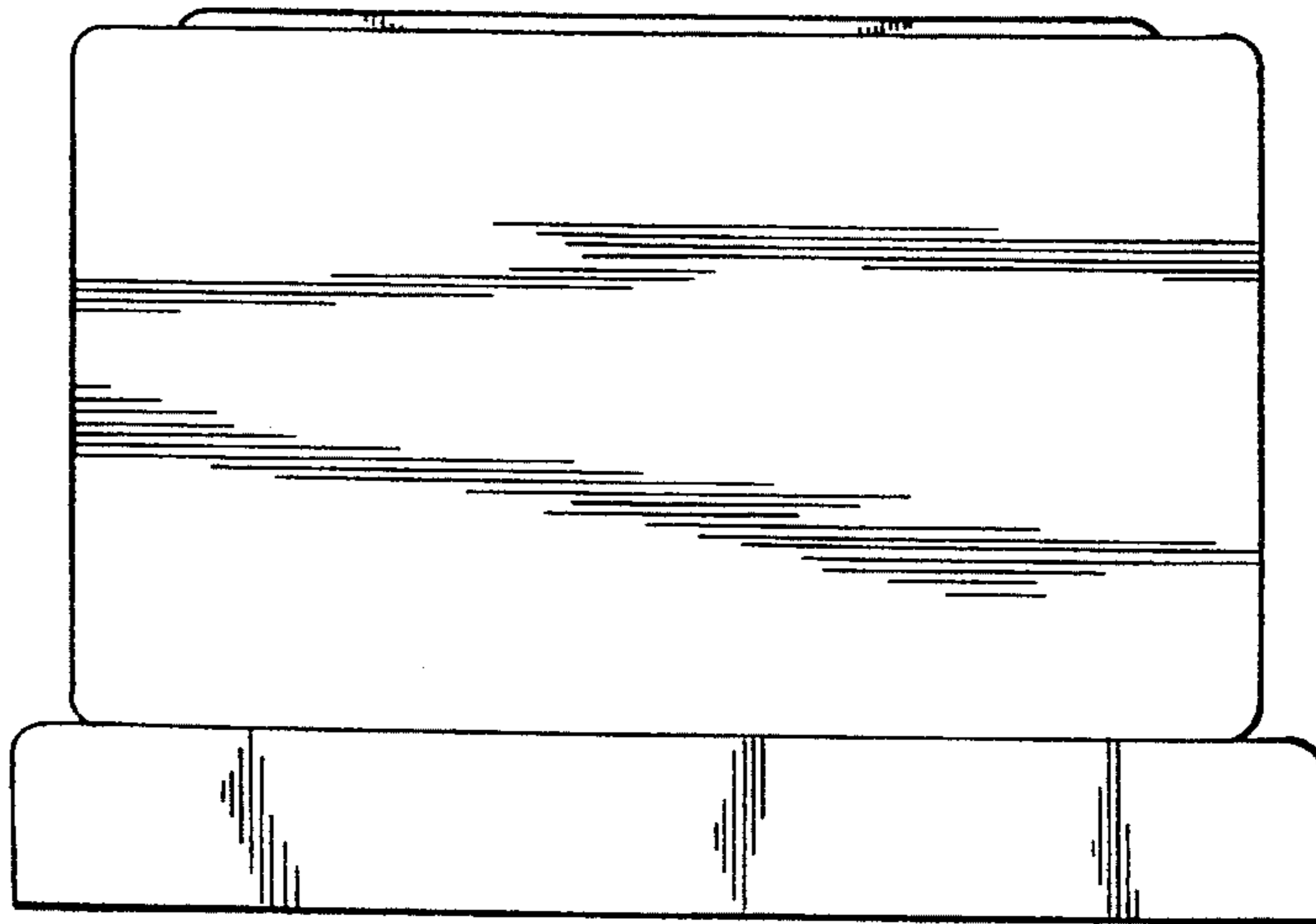


FIG. 4

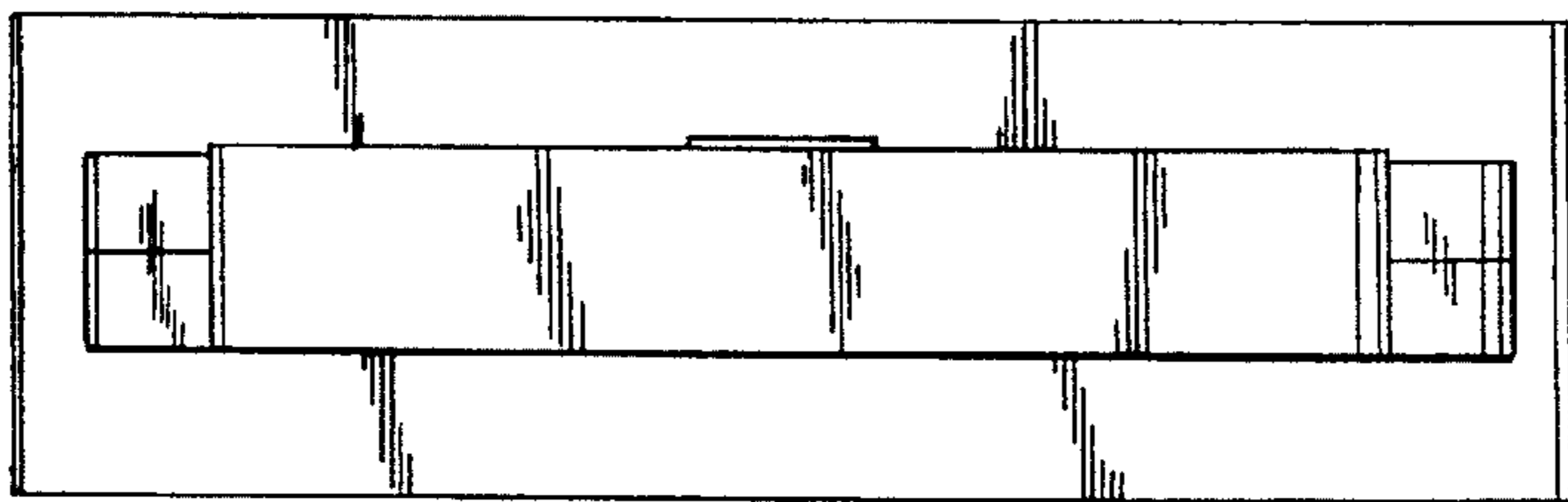


FIG. 5

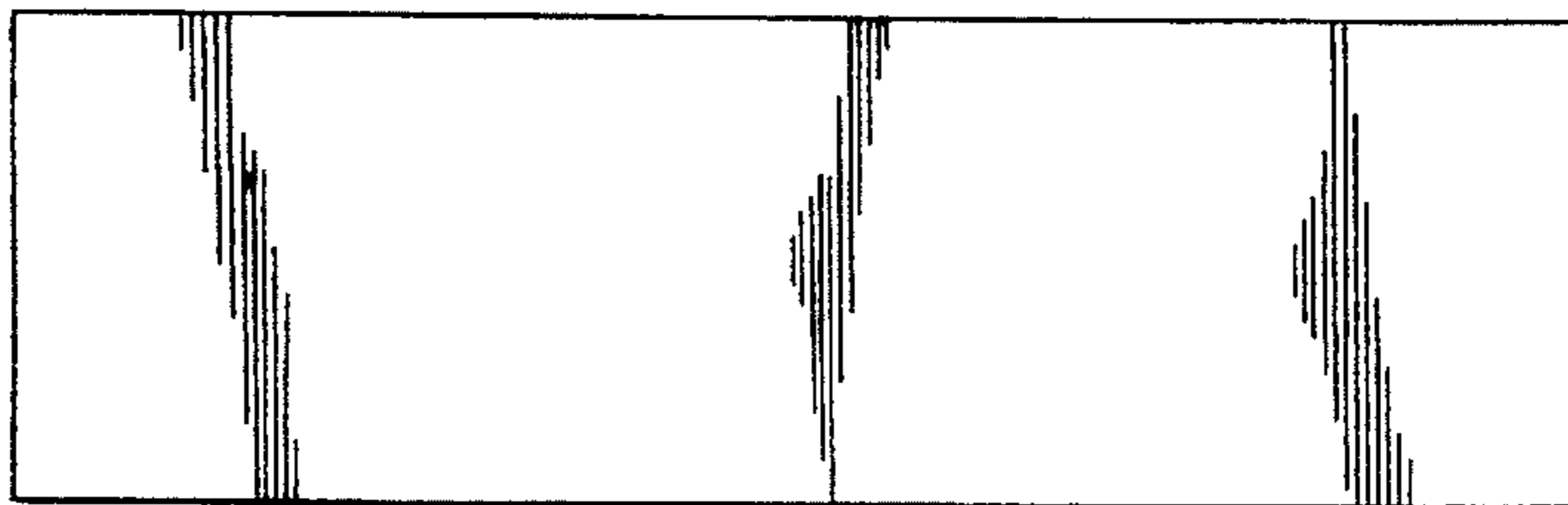


FIG. 6

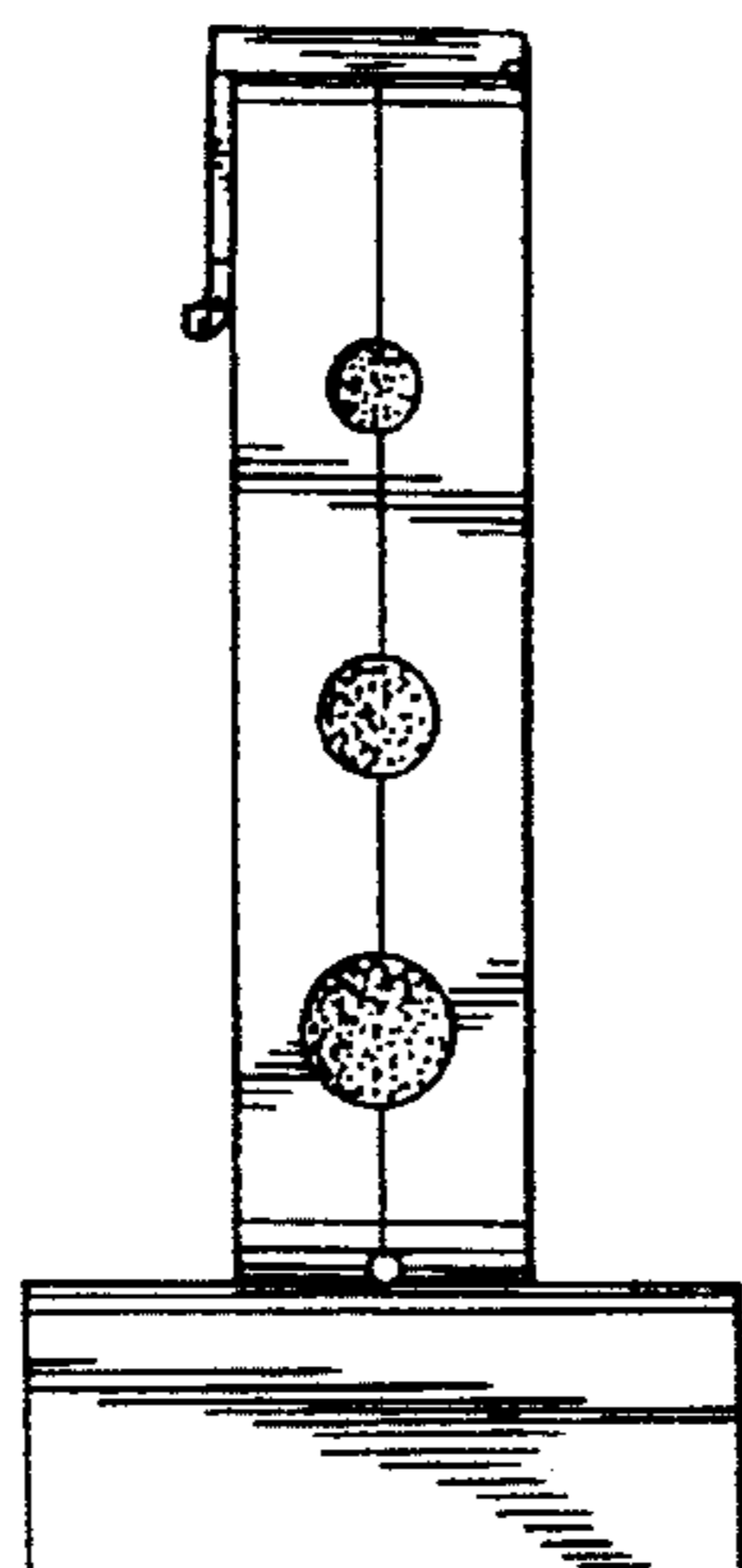


FIG. 7

