



US00D365632S

# United States Patent [19]

Blasdell et al.

[11] Patent Number: **Des. 365,632**

[45] Date of Patent: **\*\*Dec. 26, 1995**

## [54] GAS FLOW CONTROLLER

4,182,323 1/1980 Pedersen ..... 128/204.25  
4,798,202 1/1989 Chambonnet ..... 128/204.25 X

[76] Inventors: **Richard J. Blasdell**, 4233 E. Mountain View Rd., Phoenix, Ariz. 85028;  
**Raymond L. Blasdell**, 691 E. Fairway Dr., Litchfield Park, Ariz. 85340

*Primary Examiner*—Stella Reid  
*Assistant Examiner*—Eric Watterson  
*Attorney, Agent, or Firm*—Parsons & Associates; Don J. Flickinger; Robert A. Parsons

[\*\*] Term: **14 Years**

## [57] CLAIM

[21] Appl. No.: **26,306**

The ornamental design for a gas flow controller, as shown and described.

[22] Filed: **Jul. 25, 1994**

## DESCRIPTION

### Related U.S. Application Data

[62] Division of Ser. No. 850,784, Mar. 13, 1992, Pat. No. Des. 353,198.  
[52] U.S. Cl. .... **D24/129**; D23/235  
[58] Field of Search ..... D24/129; D23/233-237, D23/244-249; 128/204.25, 204.26, 205.24, 206.15, 207.18, 207.12

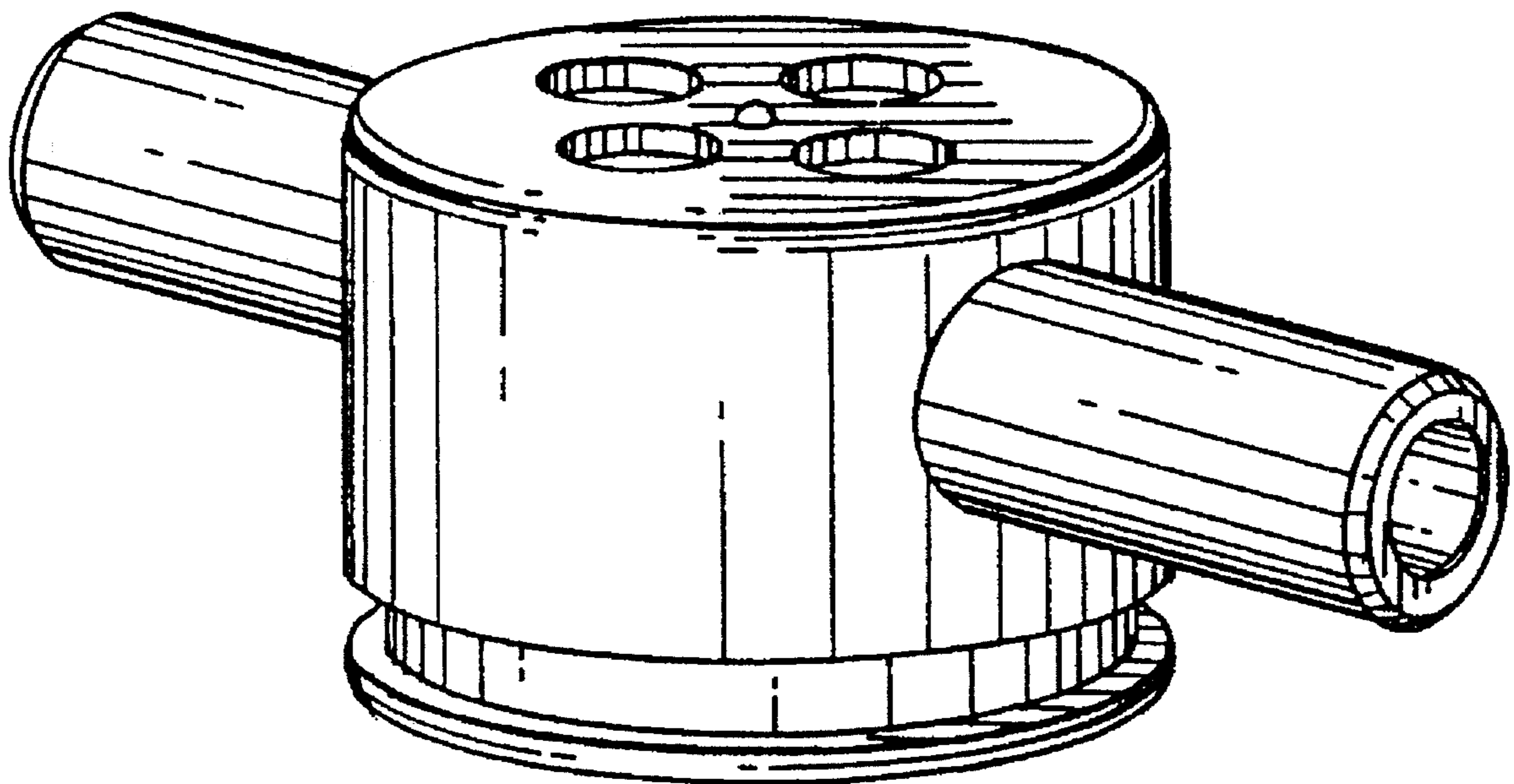
FIG. 1 is a perspective view of a gas flow controller showing our new design;  
FIG. 2 is a perspective view with the gas flow controller inverted;  
FIG. 3 is a top plan view;  
FIG. 4 is a side elevational view of one of the two identical sides;  
FIG. 5 is an end elevational view of one of the two identical ends; and,  
FIG. 6 is a bottom plan view.

### [56] References Cited

#### U.S. PATENT DOCUMENTS

D. 283,725 5/1986 Mahoney ..... D23/235  
D. 300,171 3/1989 Been ..... D23/233

1 Claim, 1 Drawing Sheet



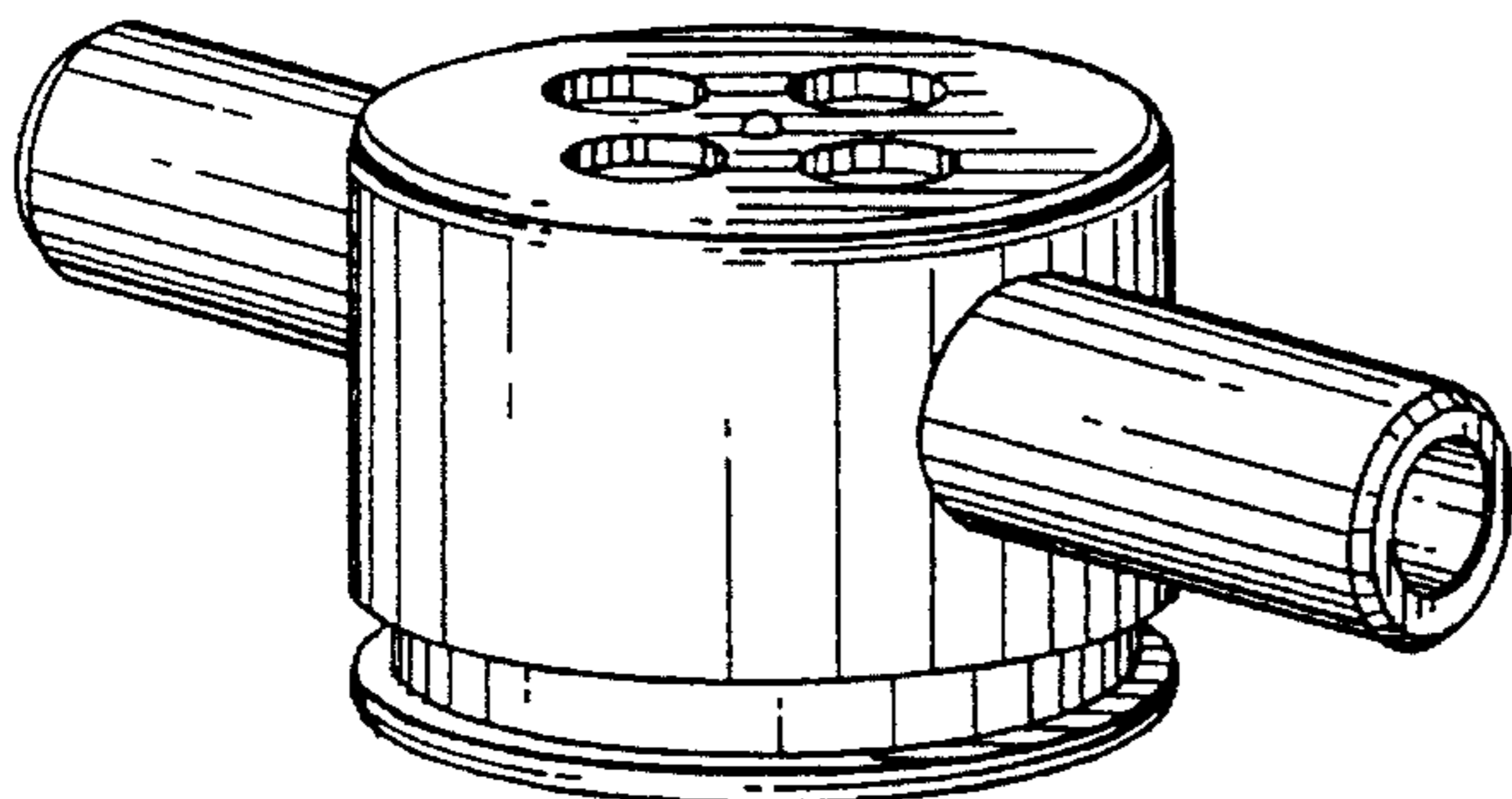


FIG. 1

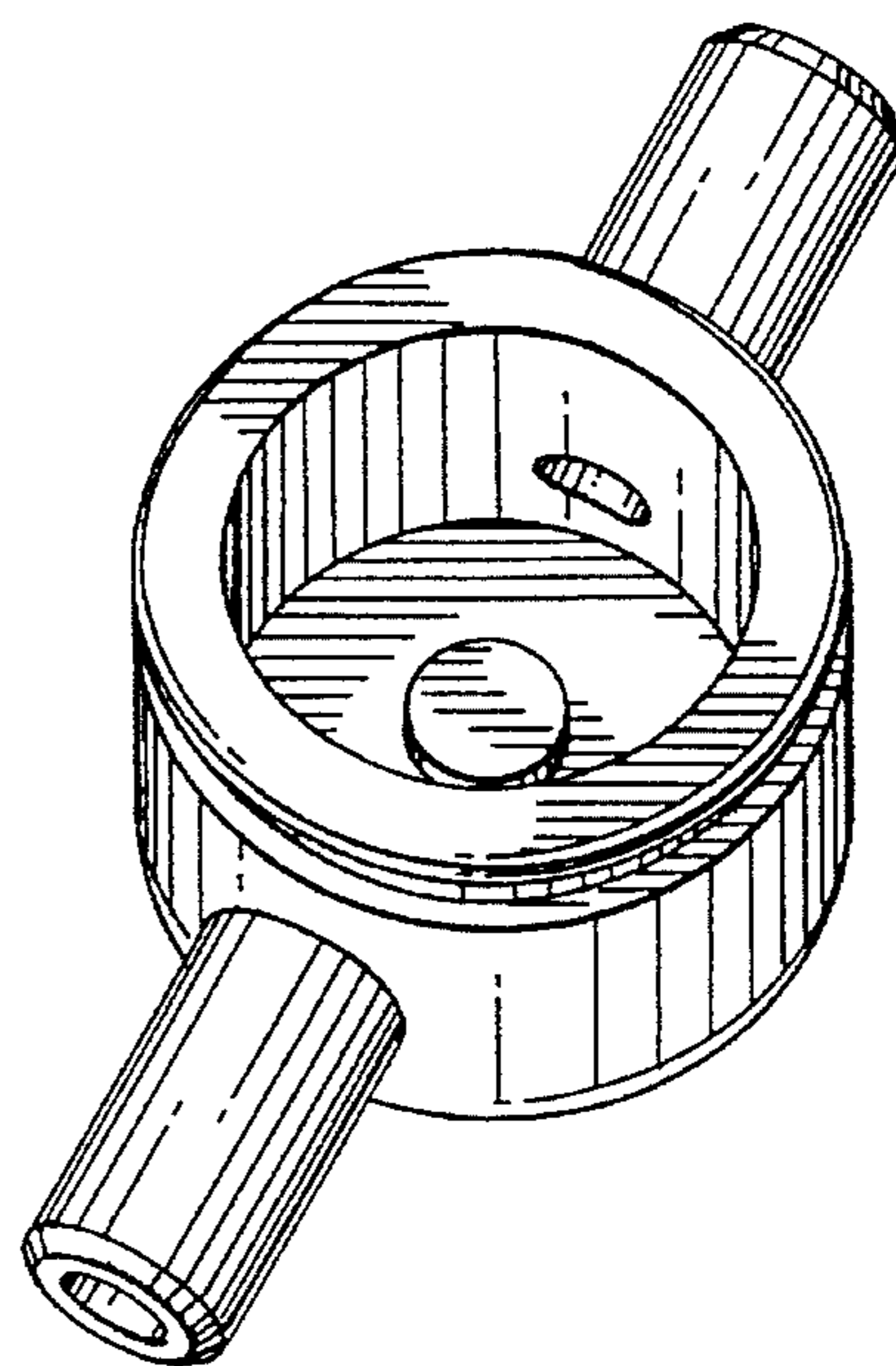


FIG. 2

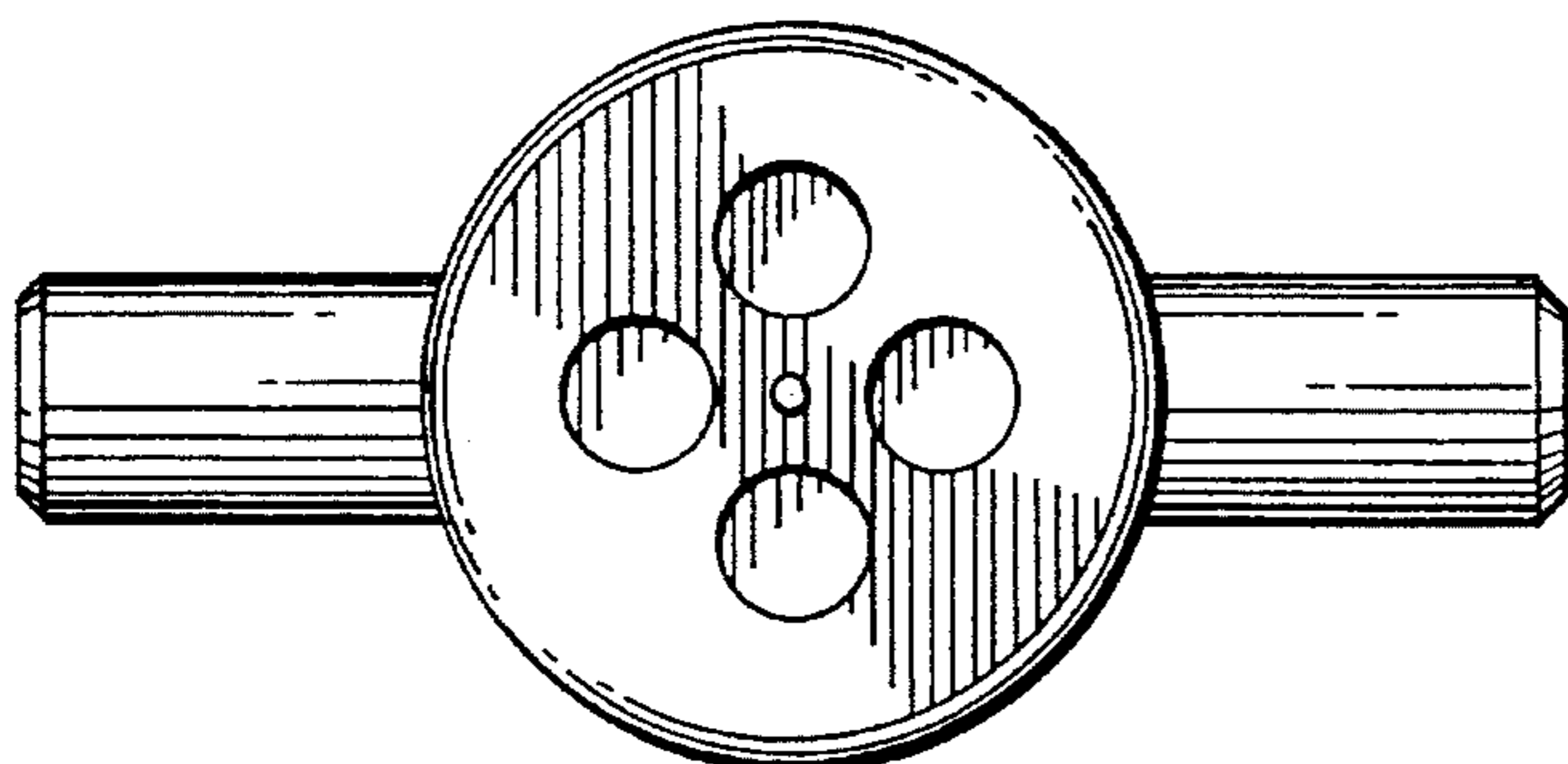


FIG. 3

FIG. 4

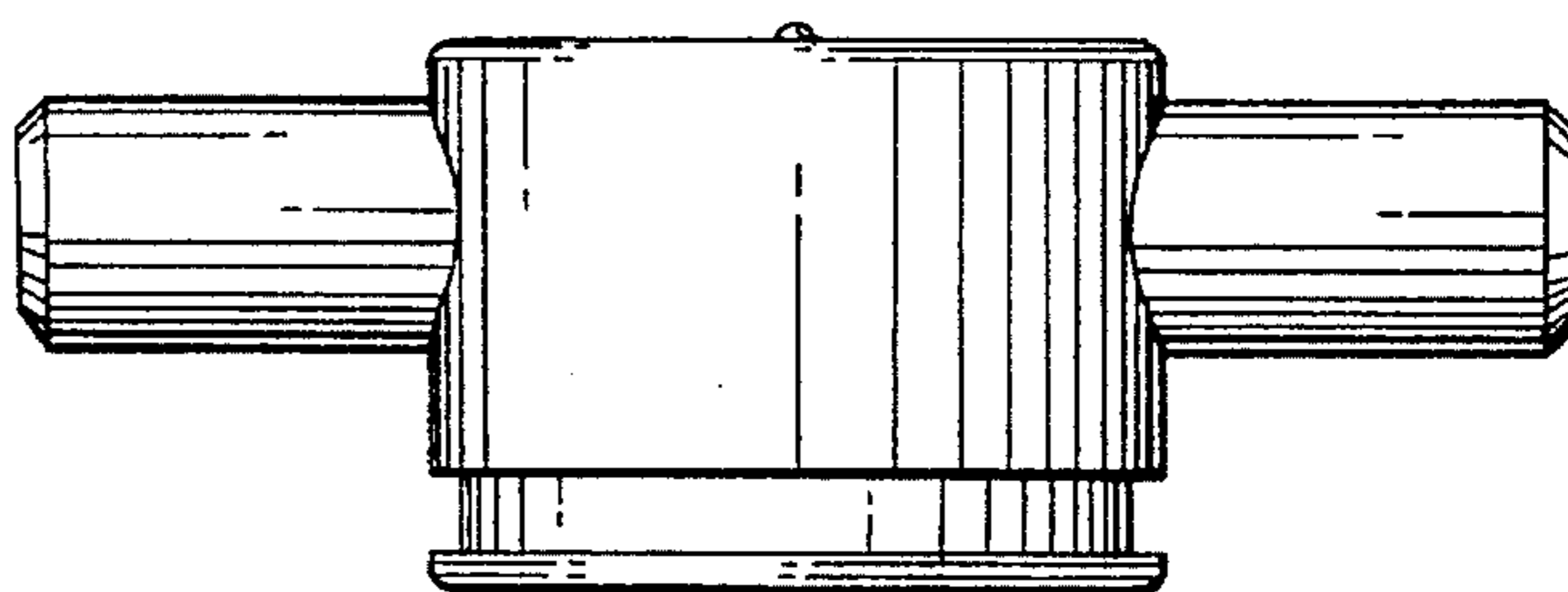


FIG. 6

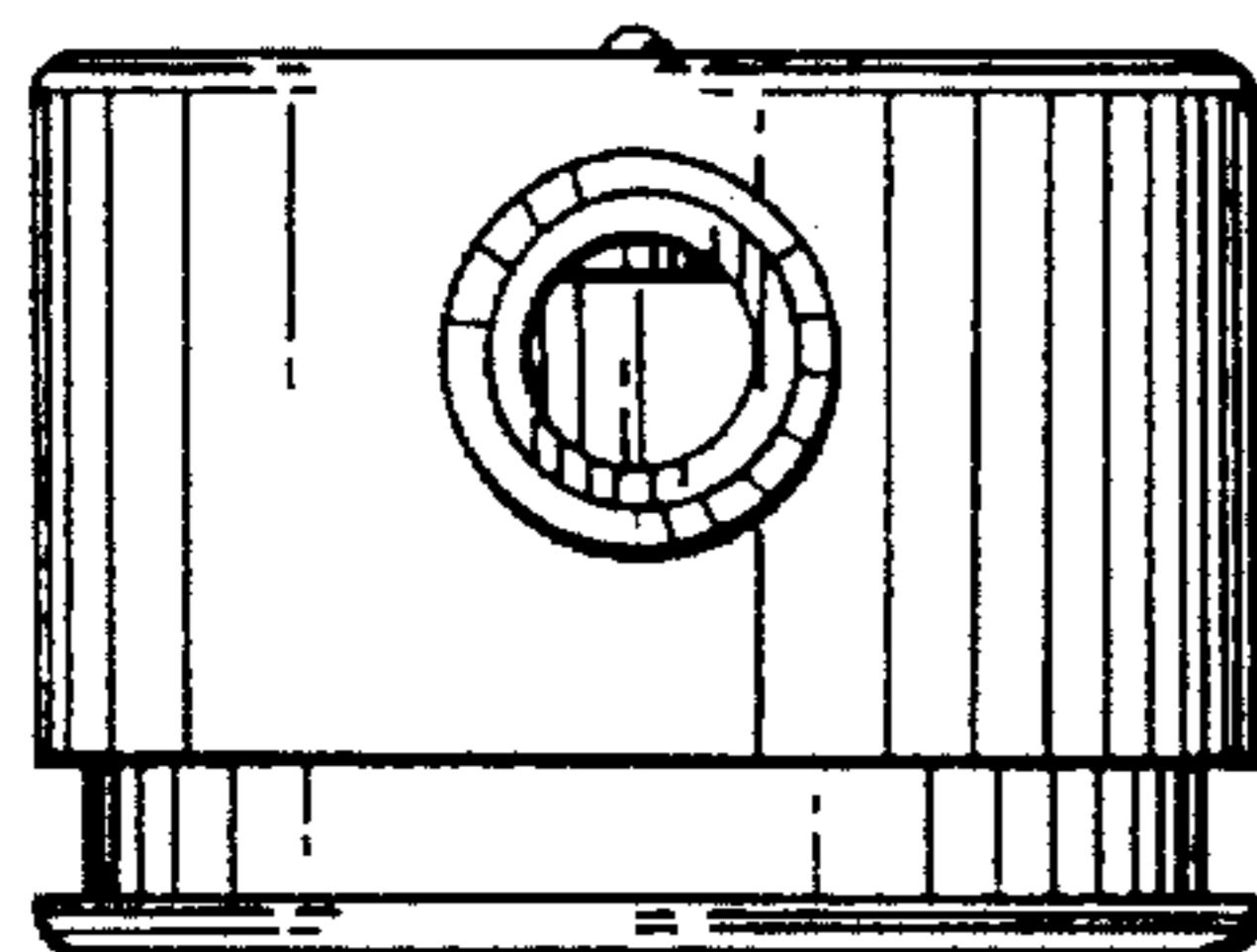


FIG. 5

