



US00D365631S

# United States Patent [19]

[11] Patent Number: **Des. 365,631**

Lusby et al.

[45] Date of Patent: **\*\*Dec. 26, 1995**

[54] **COMBINED LAPAROSCOPIC IRRIGATION AND ASPIRATION FLOW CONTROL VALVE**

[75] Inventors: **Timothy B. Lusby**, Canton, Ga.; **Kirk A. Jacobson**, Jensen Beach, Fla.

[73] Assignee: **Endo-Tech Limited, Inc.**, Orlando, Fla.

[\*\*] Term: **14 Years**

[21] Appl. No.: **19,279**

[22] Filed: **Feb. 28, 1994**

[52] U.S. Cl. .... **D24/129**; D23/233; D24/108; D24/112

[58] **Field of Search** ..... D24/108, 129, D24/112, 113, 111; D23/233, 234, 235, 236, 237, 244, 245, 246, 247, 248; 604/35, 34, 30, 902, 19, 27, 33, 275, 119, 48

[56] **References Cited**

**U.S. PATENT DOCUMENTS**

5,188,591	2/1993	Dorsey, III	604/35 X
5,197,948	3/1993	Ghodsian	604/30
5,242,387	9/1993	Loughlin	604/33 X
5,254,083	10/1993	Gentelia et al.	604/34 X
5,334,140	8/1994	Phillips	604/35 X
5,347,992	9/1994	Pearlman et al.	604/33 X
5,348,555	9/1994	Zinnanti	604/33 X

*Primary Examiner*—Lou Zarfaz  
*Assistant Examiner*—I. Simmons  
*Attorney, Agent, or Firm*—Kennedy & Kennedy

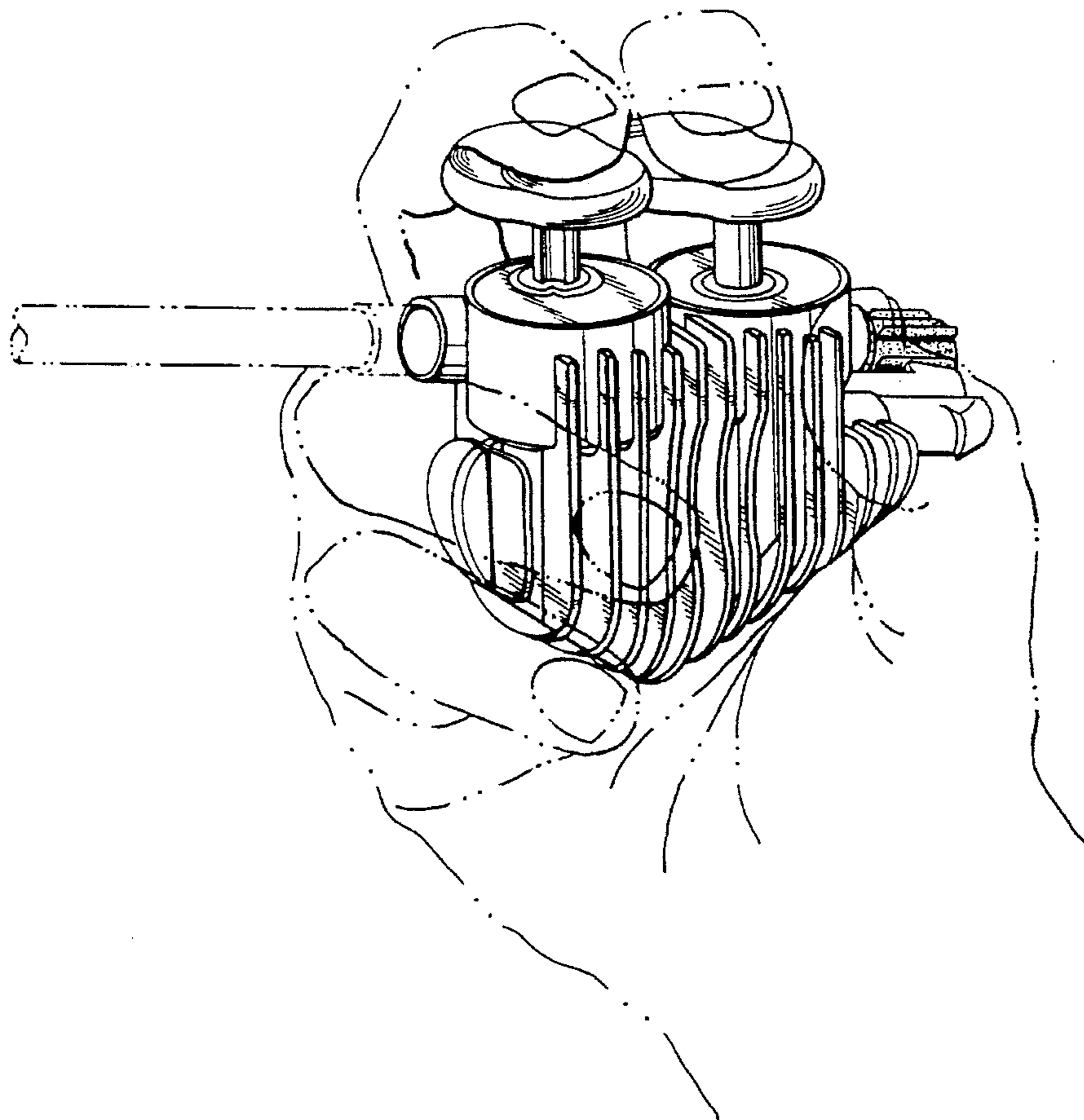
[57] **CLAIM**

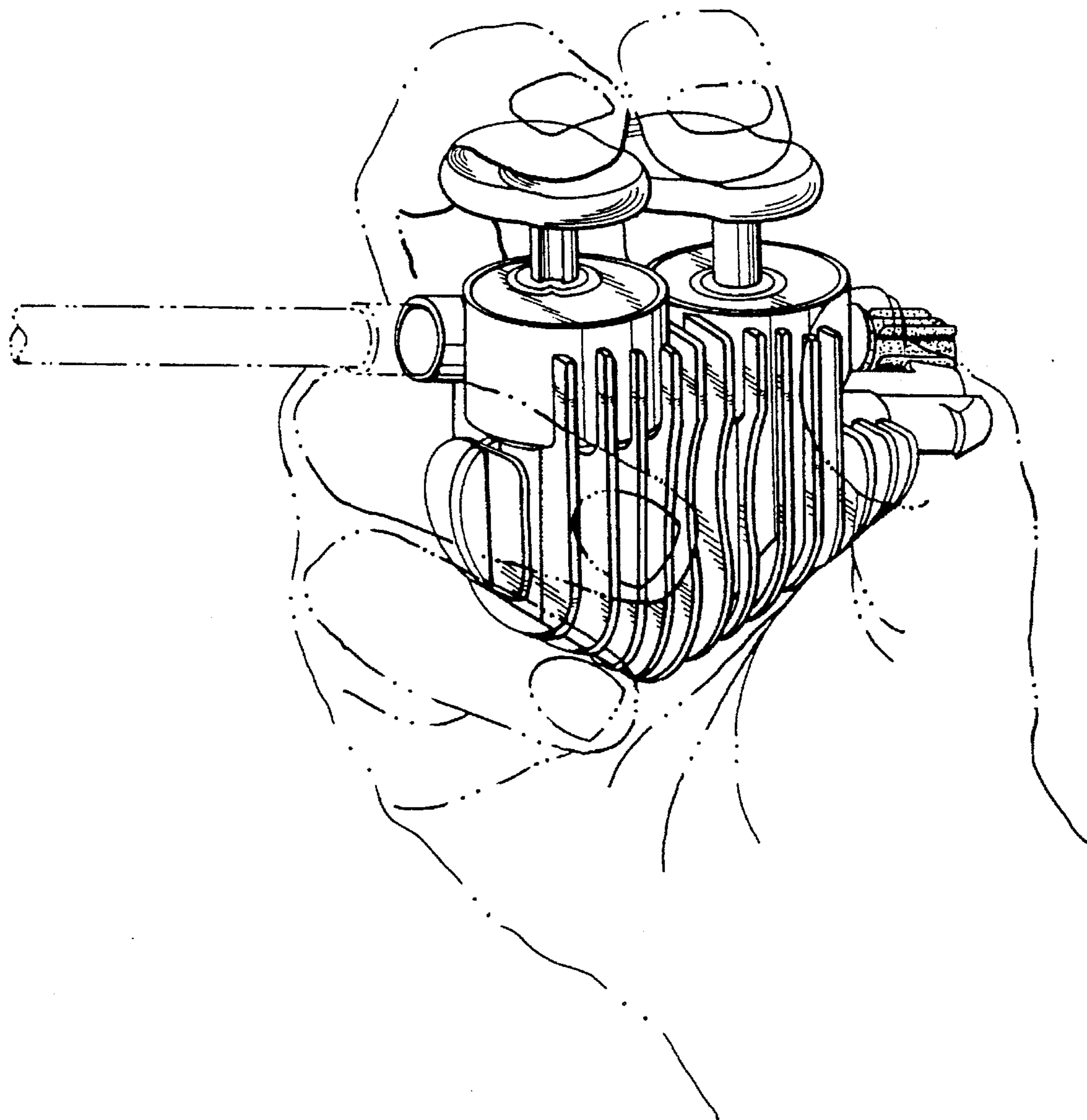
The ornamental design for a combined laparoscopic irrigation and aspiration flow control valve, as shown and described.

**DESCRIPTION**

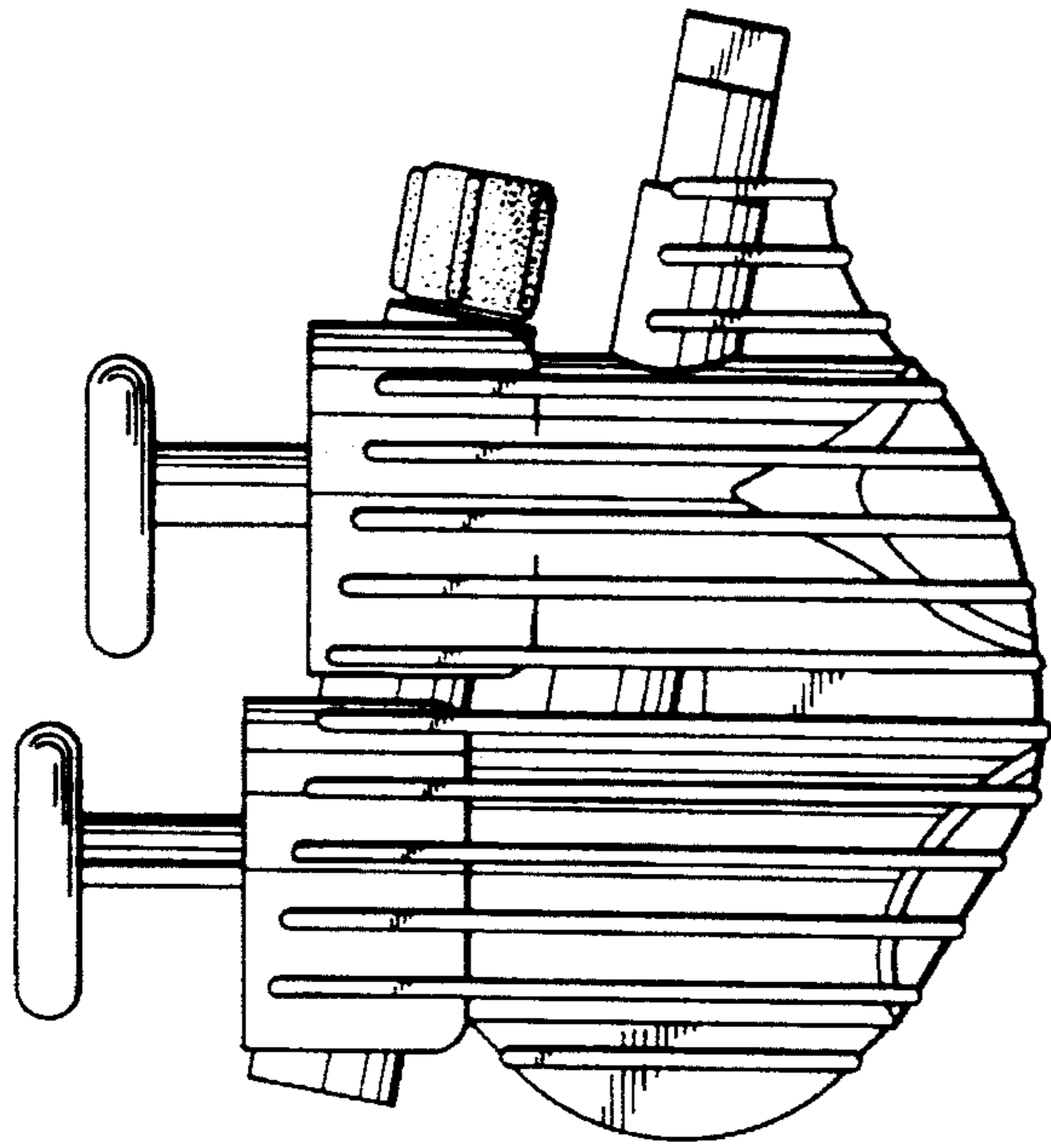
FIG. 1 is a perspective view of a combined laparoscopic irrigation and aspiration flow control valve showing our new design, the broken line showing of the hand and portion of an attached probe being for illustrative purposes only and forming no part of the claimed design;  
FIG. 2 is a front view of a combined laparoscopic irrigation and aspiration flow control valve;  
FIG. 3 is a rear view of a combined laparoscopic irrigation and aspiration flow control valve;  
FIG. 4 is a side view of a combined laparoscopic irrigation and aspiration flow control valve;  
FIG. 5 is a top view of a combined laparoscopic irrigation and aspiration flow control valve;  
FIG. 6 is a side view of a combined laparoscopic irrigation and aspiration flow control valve opposite to that side shown in FIG. 4; and,  
FIG. 7 is a bottom view of laparoscopic irrigation and aspiration flow control valve.

**1 Claim, 3 Drawing Sheets**

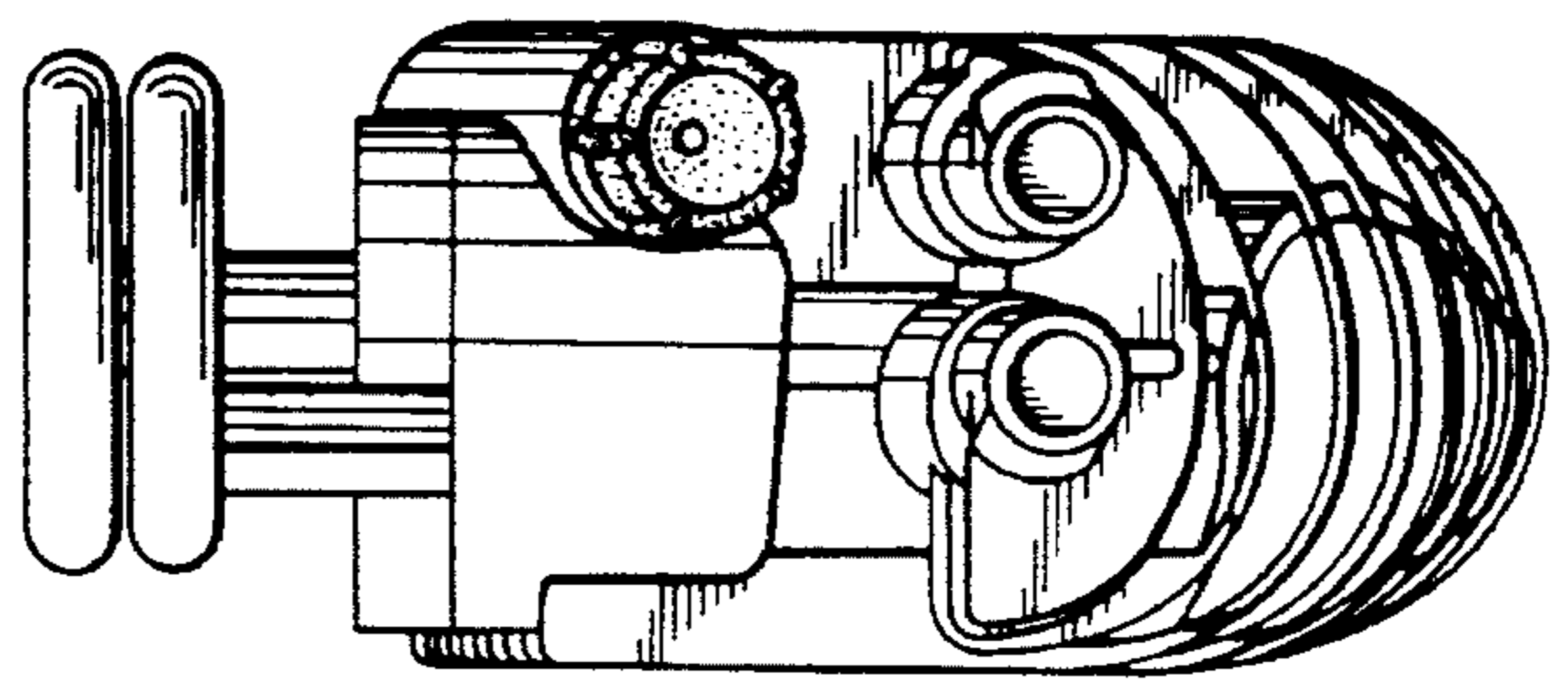




**FIG 1**

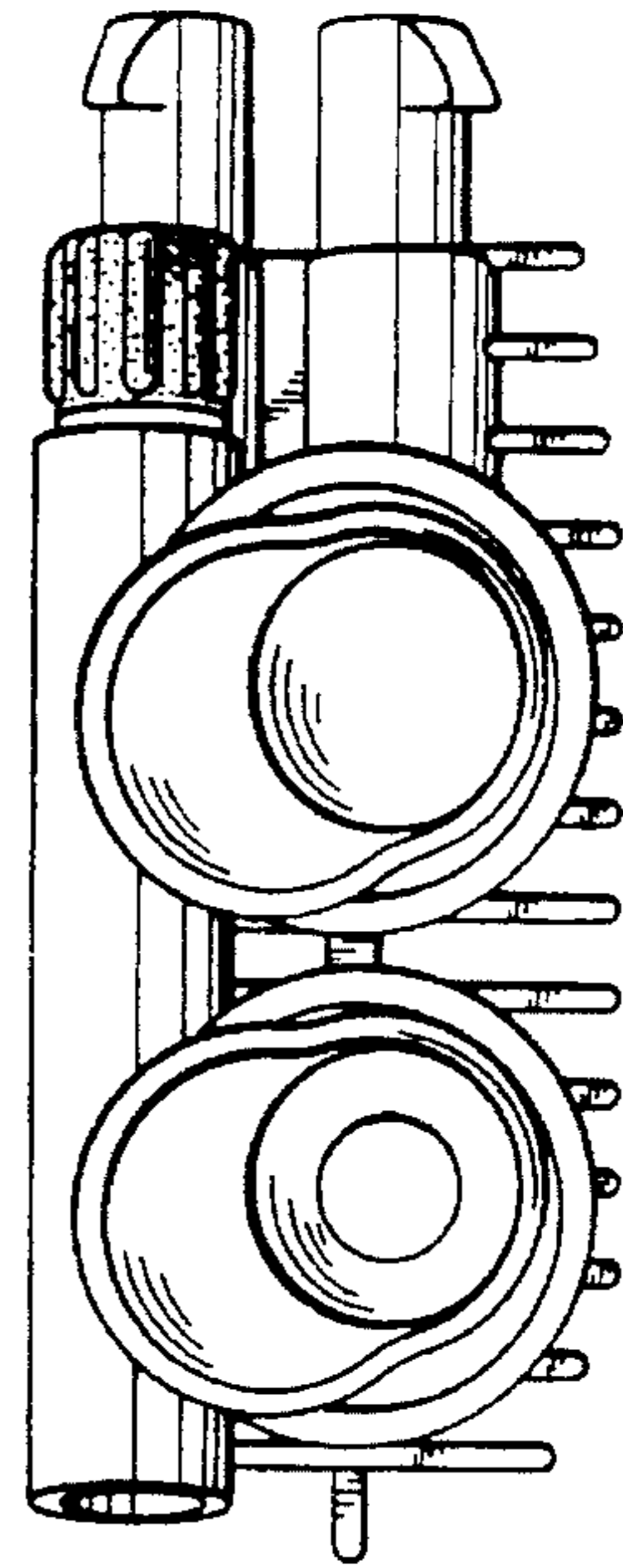


**FIG 2**



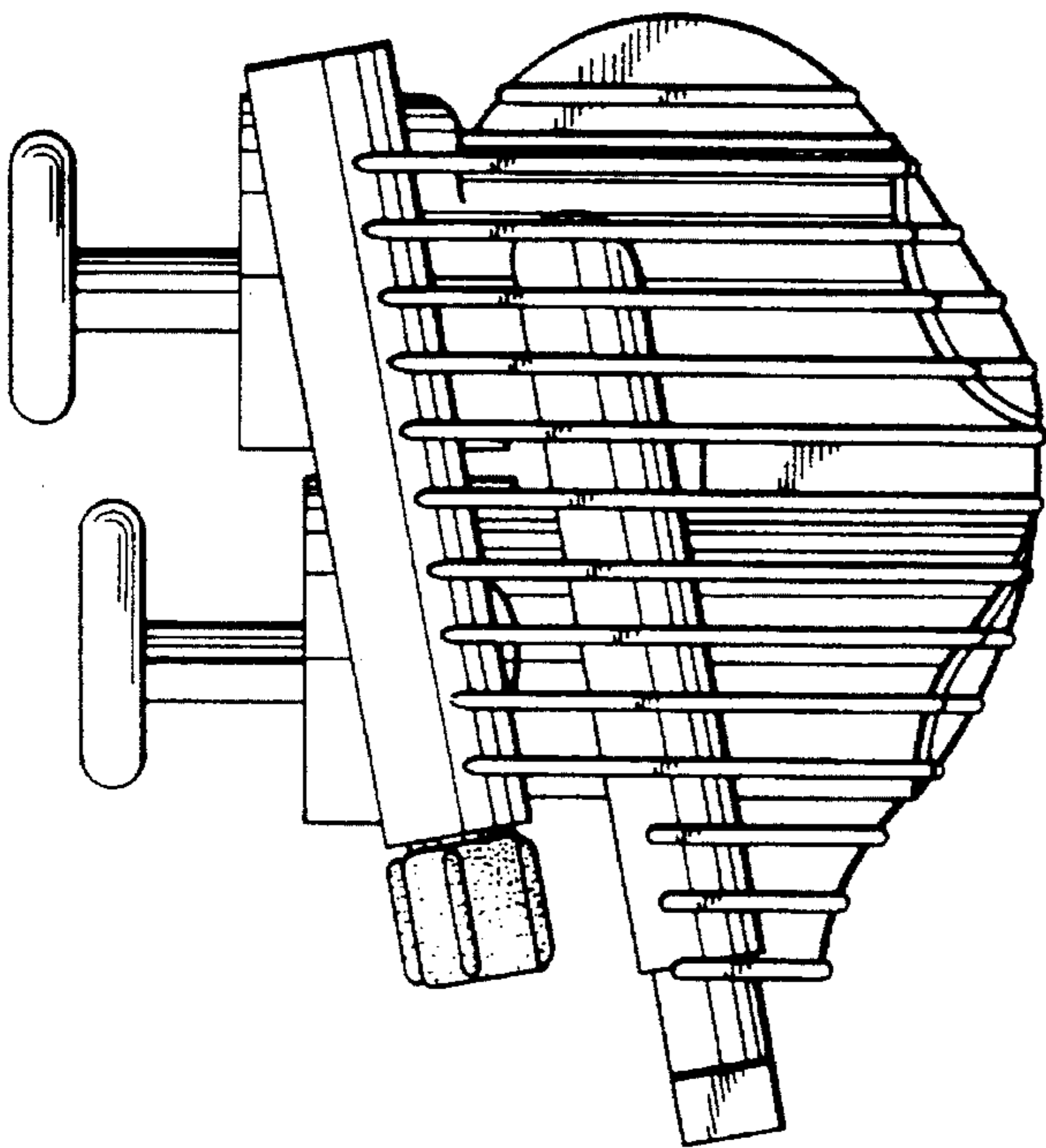
**FIG 3**

**FIG 4**

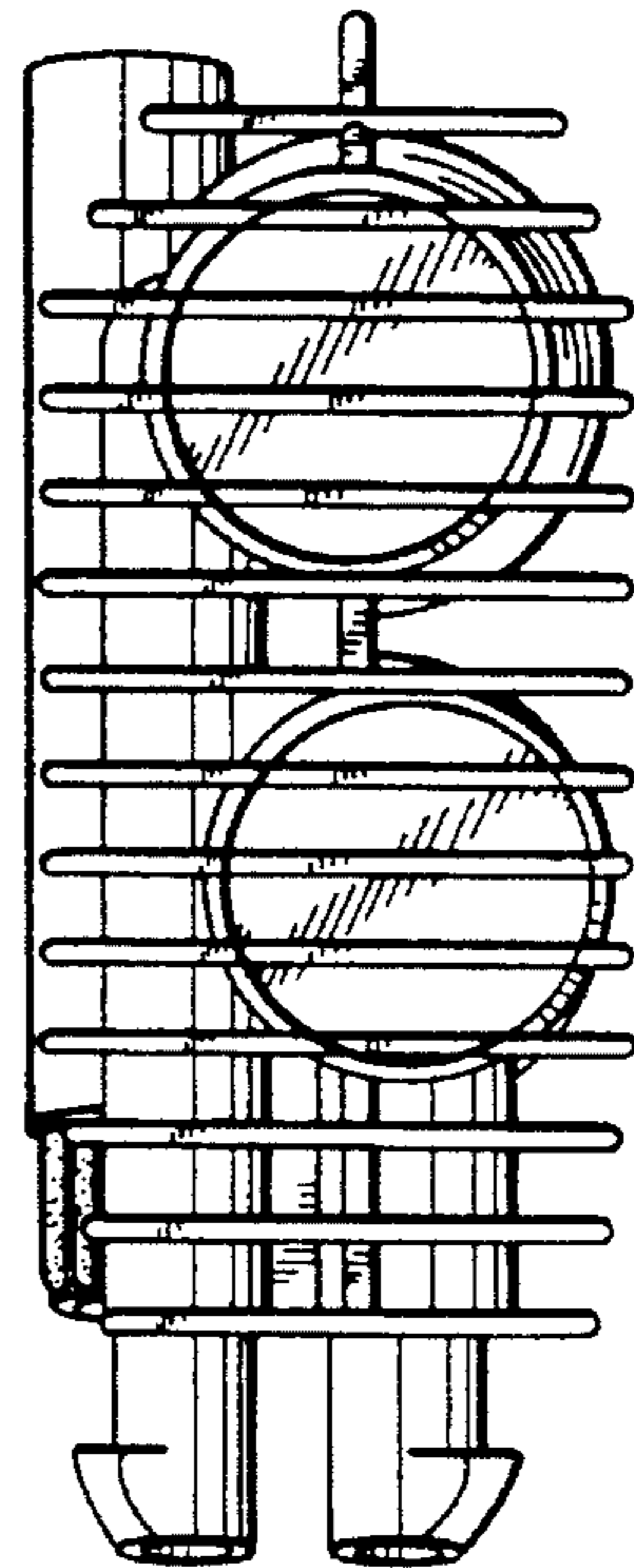


**FIG 5**





**FIG 6**



**FIG 7**