



US00D365629S

United States Patent [19]

Wallwork et al.

[11] Patent Number: Des. 365,629

[45] Date of Patent: **Dec. 26, 1995

[54] FAN-OPERATED AIR FRESHENER

[76] Inventors: **Martyn Wallwork**, 24 Simpson Street, Battersea, London SW11, 1RA, England; **Ivan Saud**, 929 Bayamo Ave., Coral Gables, Fla. 33146; **Elizabeth E. Avian**, House 99, 18th Street, Hong Lok Yuen, Tai Po, New Territories, Hong Kong

[**] Term: 14 Years

[21] Appl. No.: 28,240

[22] Filed: Sep. 9, 1994

[30] Foreign Application Priority Data

Mar. 25, 1994 [GB] United Kingdom 2038001

[52] U.S. Cl. D23/366

[58] Field of Search D23/366-369; D9/414, 430, 431; 220/252; 239/57-60; 206/0.5; 261/DIG. 65; 422/123, 305

[56] References Cited

U.S. PATENT DOCUMENTS

D. 234,606 3/1975 Gamble D23/366

D. 330,075 10/1992 Kuhn D23/366
D. 349,157 7/1994 Rymer D23/269

Primary Examiner—Lisa P. Lichtenstein
Attorney, Agent, or Firm—Frederick H. Rabin

[57] CLAIM

The ornamental design for a fan-operated air freshener, as shown and described.

DESCRIPTION

FIG. 1 is a front elevational view of the fan-operated air freshener showing our new design; FIG. 2 is a rear elevational view thereof; FIG. 3 is a top plan view thereof; FIG. 4 is a bottom plan view thereof; FIG. 5 is a left side elevational view thereof, the opposite side being a mirror image of that shown; FIG. 6 is a front elevational view of the fan operated air freshener showing a second embodiment of our new design, the sole difference from the first embodiment resides in the appearance of the apertures at the bottom of the front side; FIG. 7 is a bottom plan view of FIG. 6; and, FIG. 8 is a left side elevational view of FIG. 6, the opposite side being a mirror image of that shown.

1 Claim, 4 Drawing Sheets

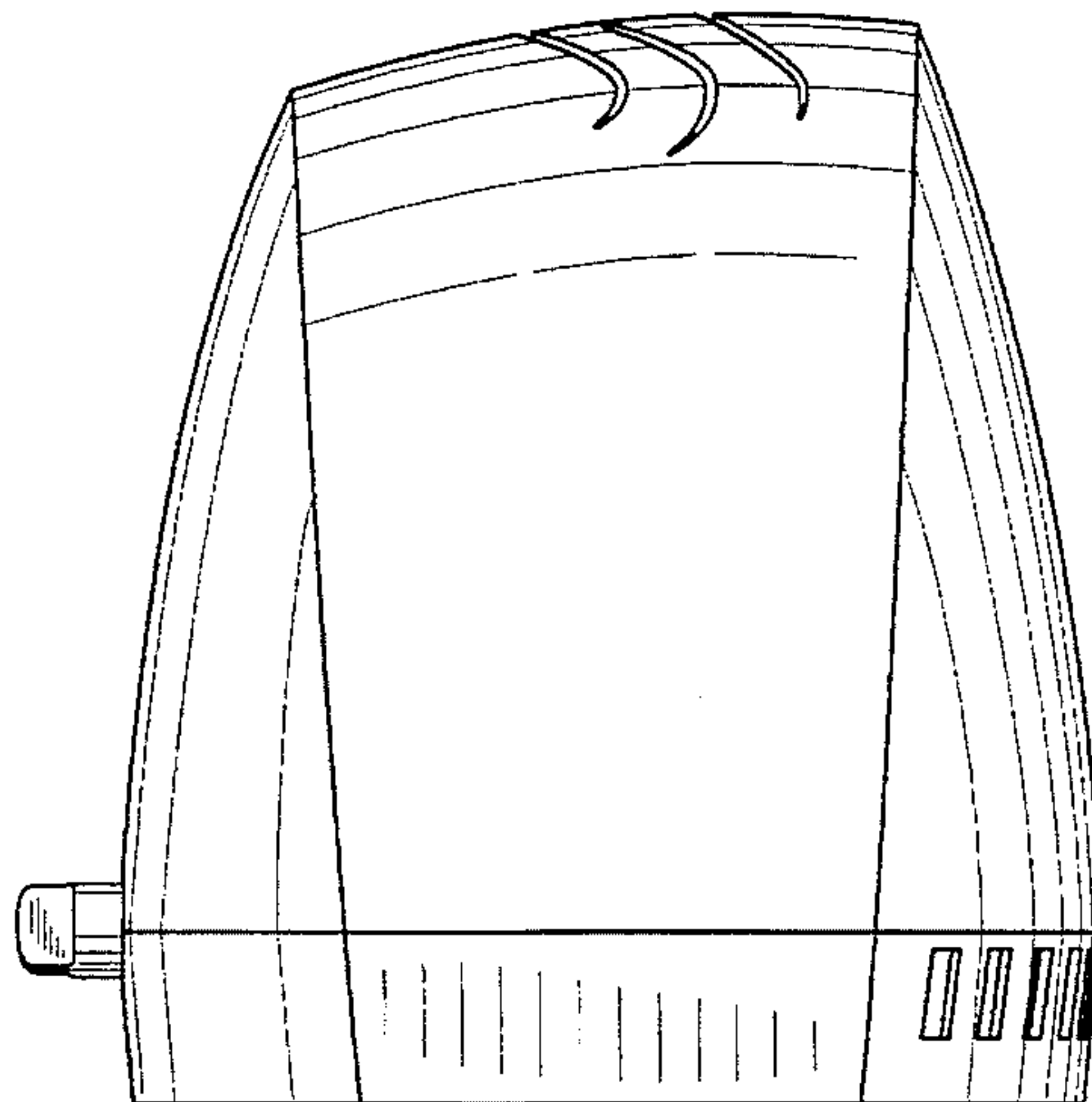
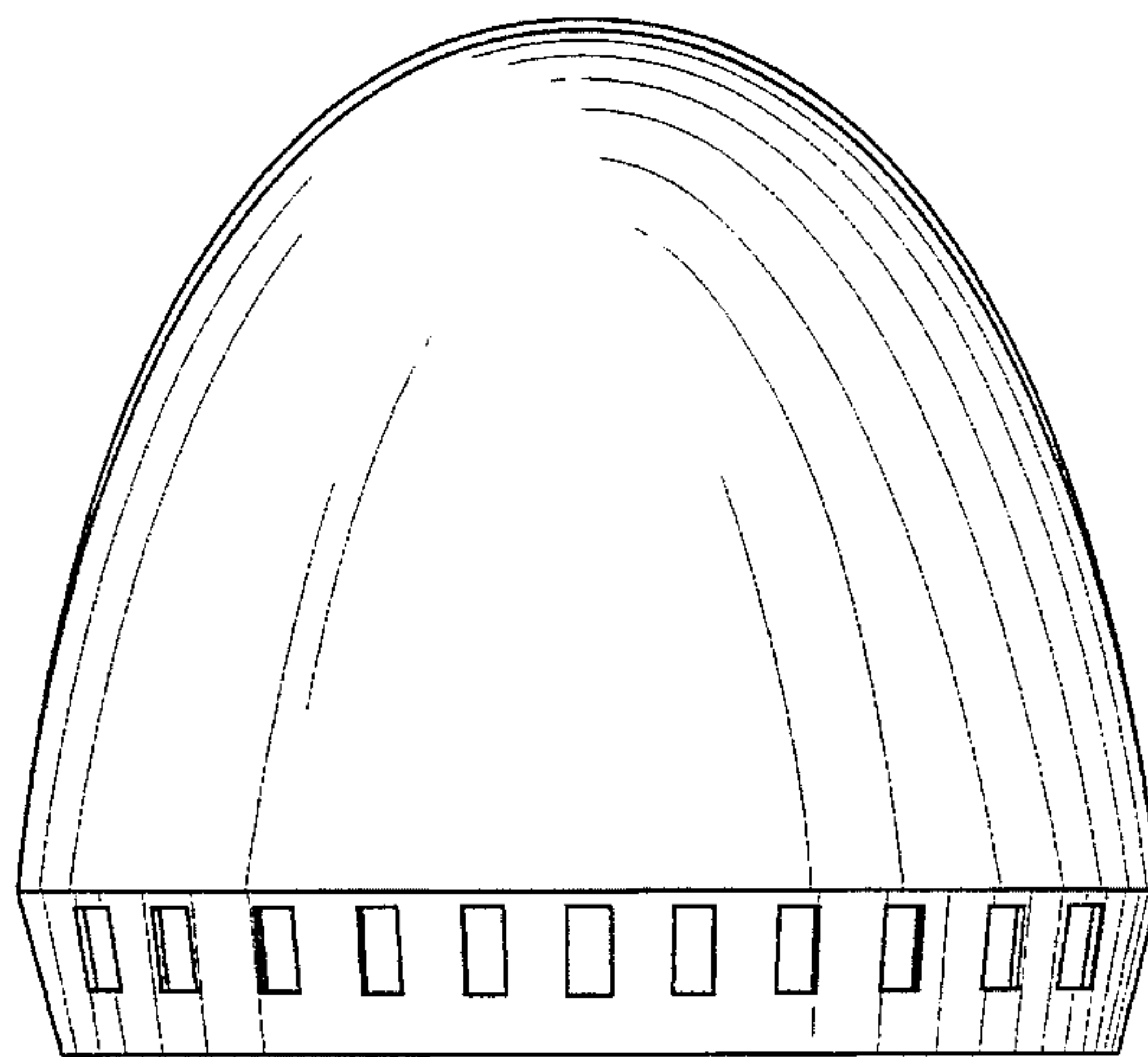


FIG. 1

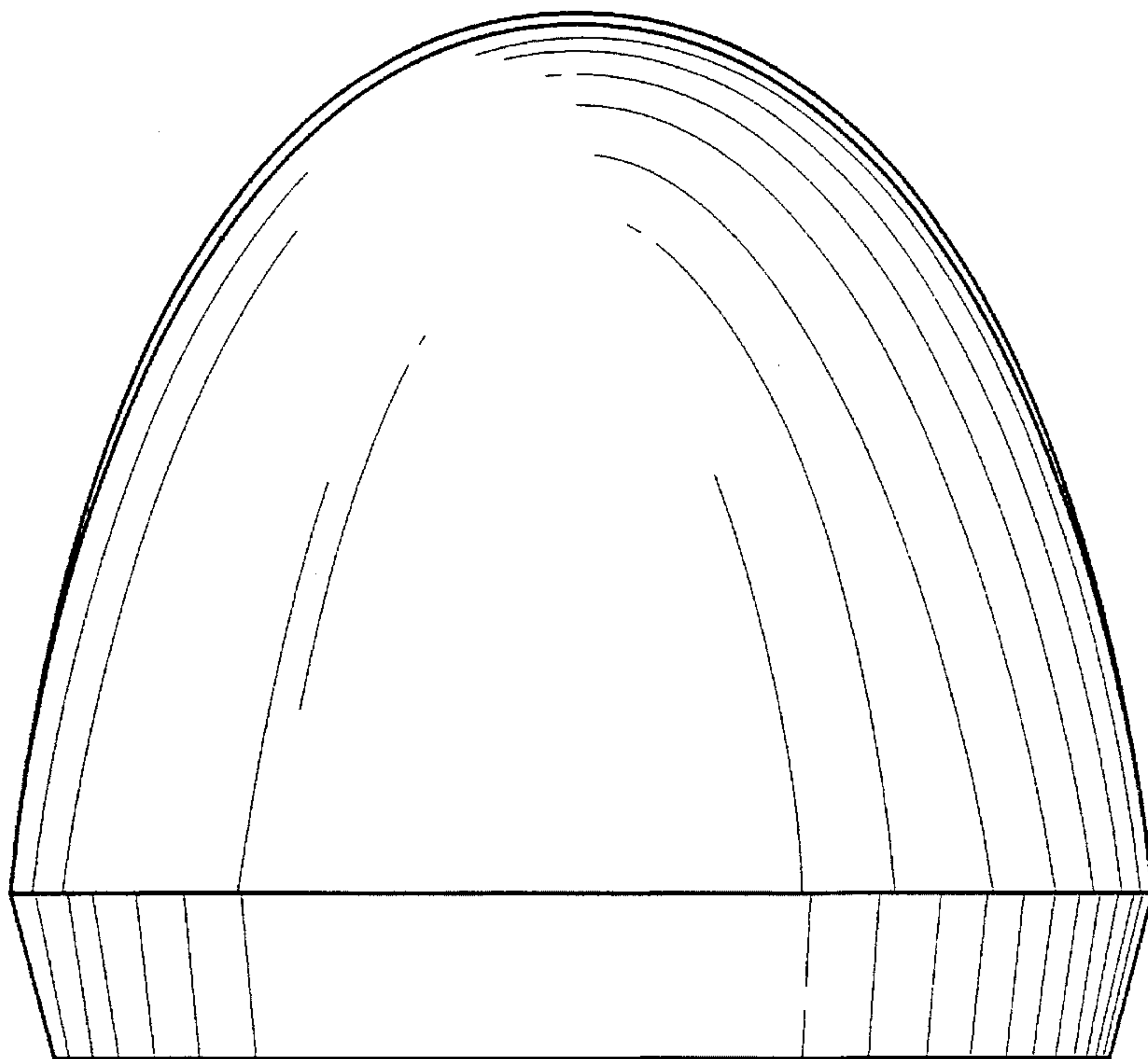


FIG. 2

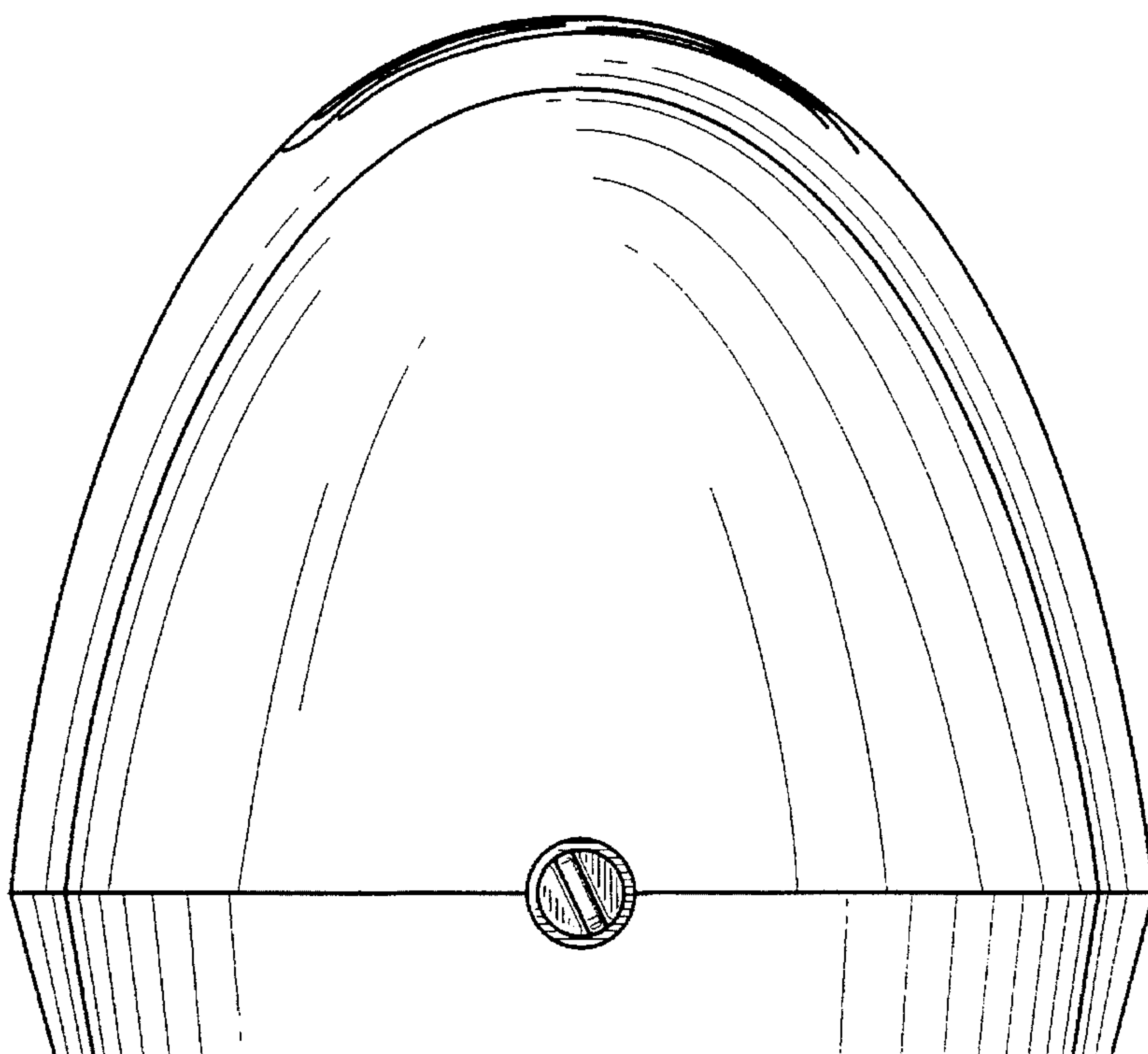


FIG. 3

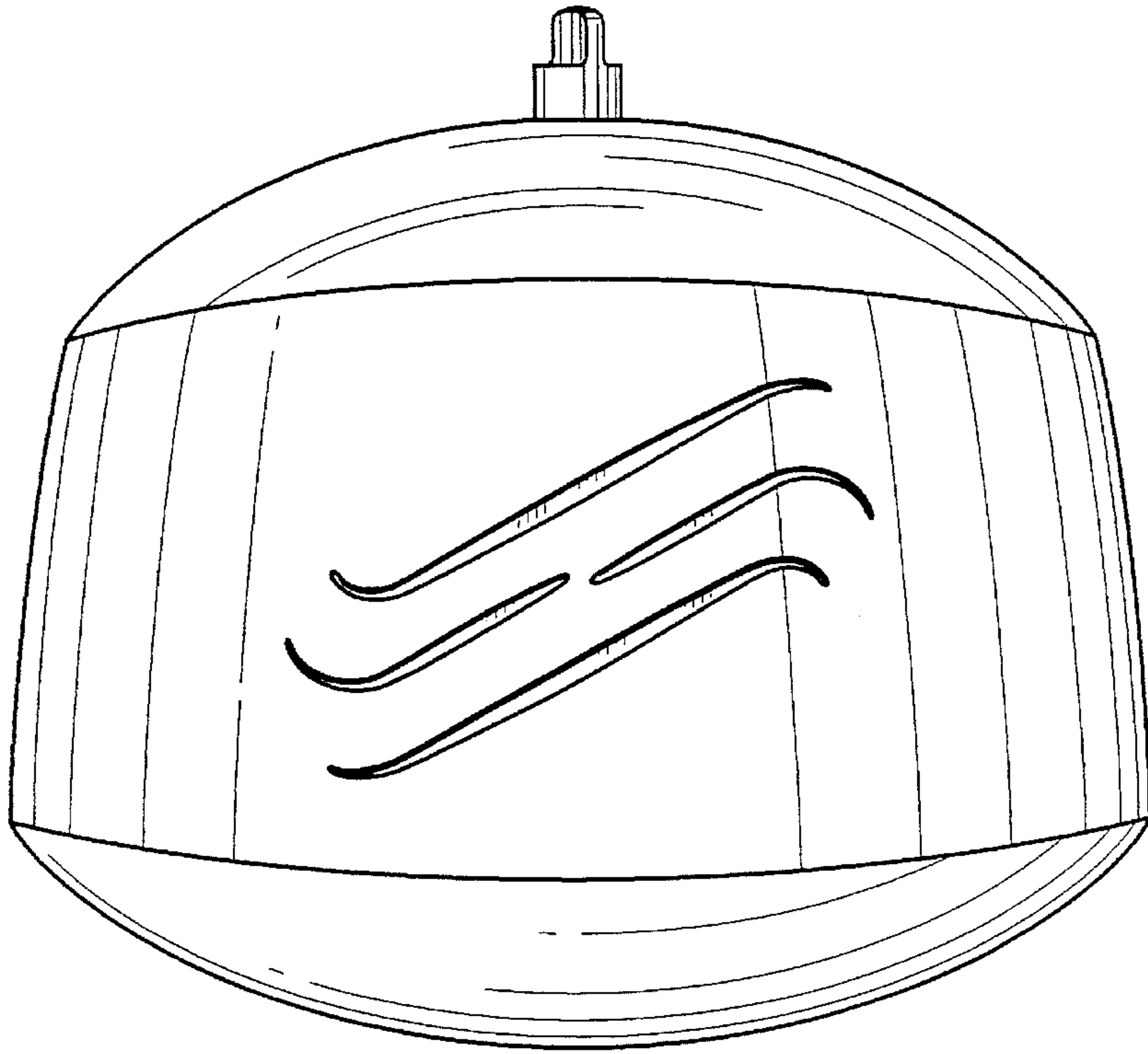


FIG. 4

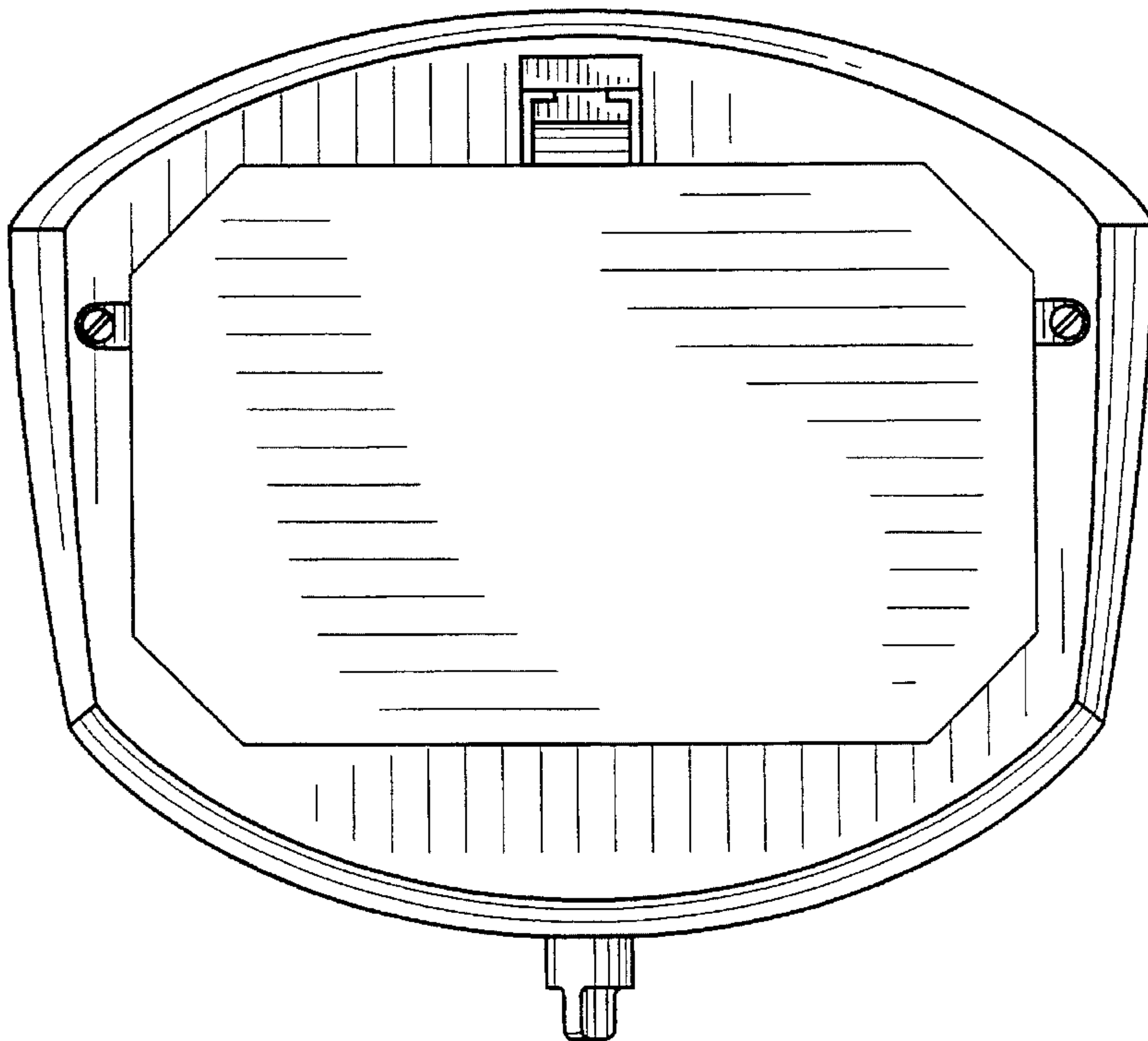


FIG. 5

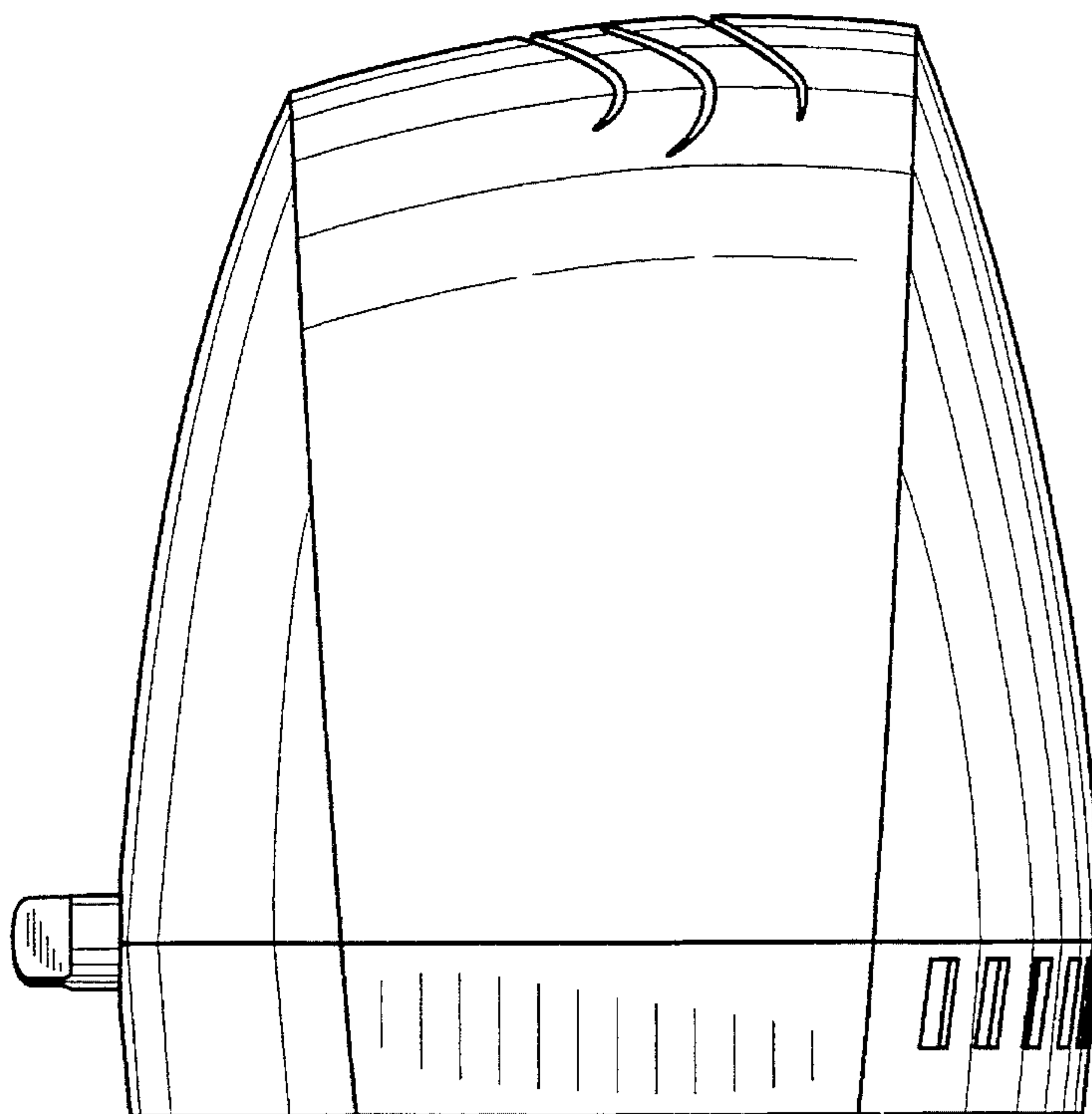


FIG. 6

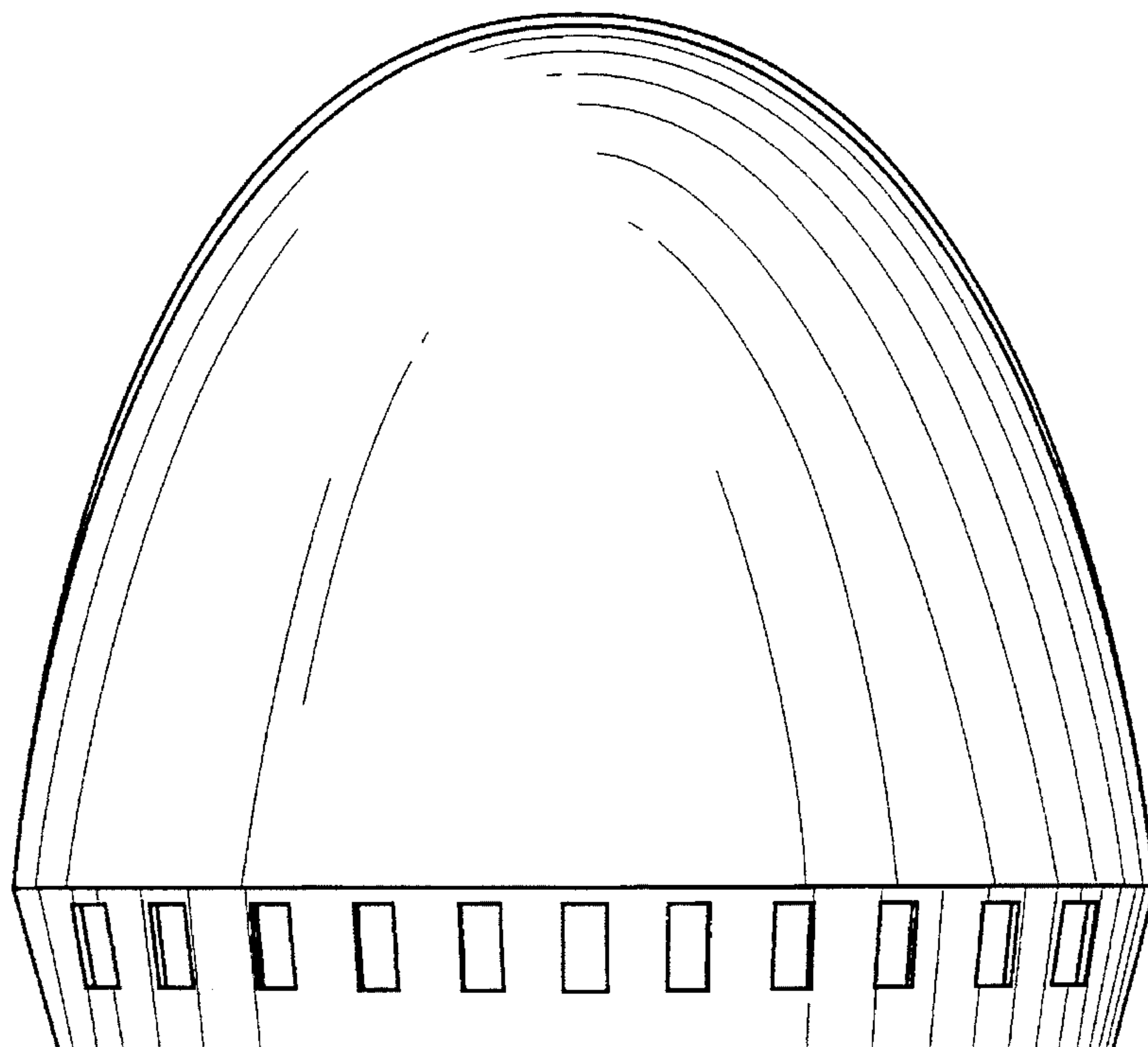


FIG. 7

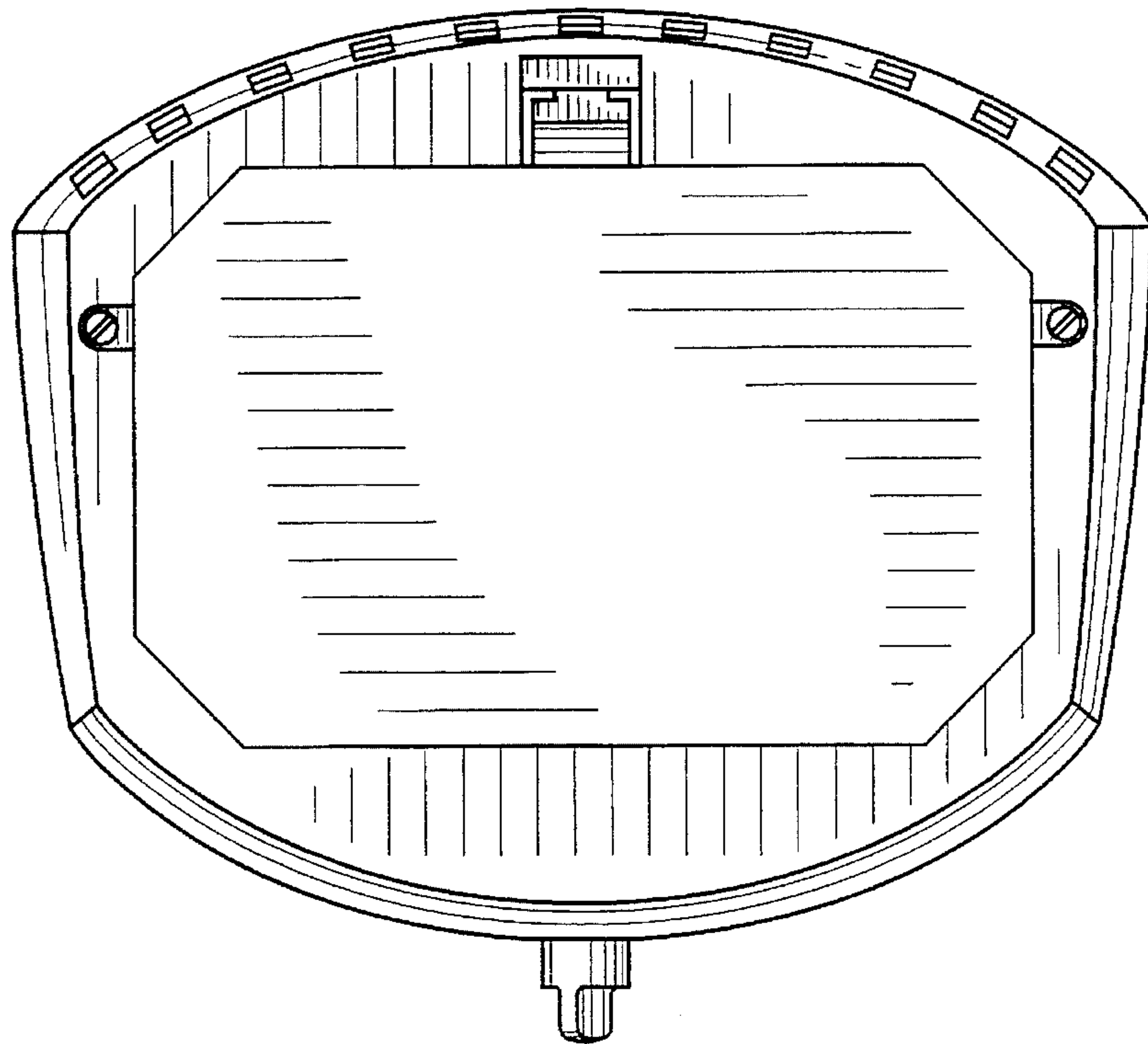


FIG. 8

